



US00D359973S

# United States Patent [19]

[11] Patent Number: **Des. 359,973**

**Hayamizu**

[45] Date of Patent: **\*\* Jul. 4, 1995**

[54] **BINOCULARS**

[56] **References Cited**

[75] Inventor: **Eiji Hayamizu, Tokyo, Japan**

### U.S. PATENT DOCUMENTS

D. 338,027	8/1993	Ushiyama .....	D16/133
D. 353,388	12/1994	Matsushita .....	D16/133
5,191,471	3/1993	Funathu .....	359/414

[73] Assignee: **Asahi Kogaku Kogyo Kabushiki Kaisha, Tokyo, Japan**

*Primary Examiner*—Doris V. Coles  
*Attorney, Agent, or Firm*—Sughrue, Mion, Zinn, Macpeak & Seas

[\*\*] Term: **14 Years**

[57] **CLAIM**

[21] Appl. No.: **23,908**

The ornamental design for binoculars, as shown.

[22] Filed: **Jun. 2, 1994**

### DESCRIPTION

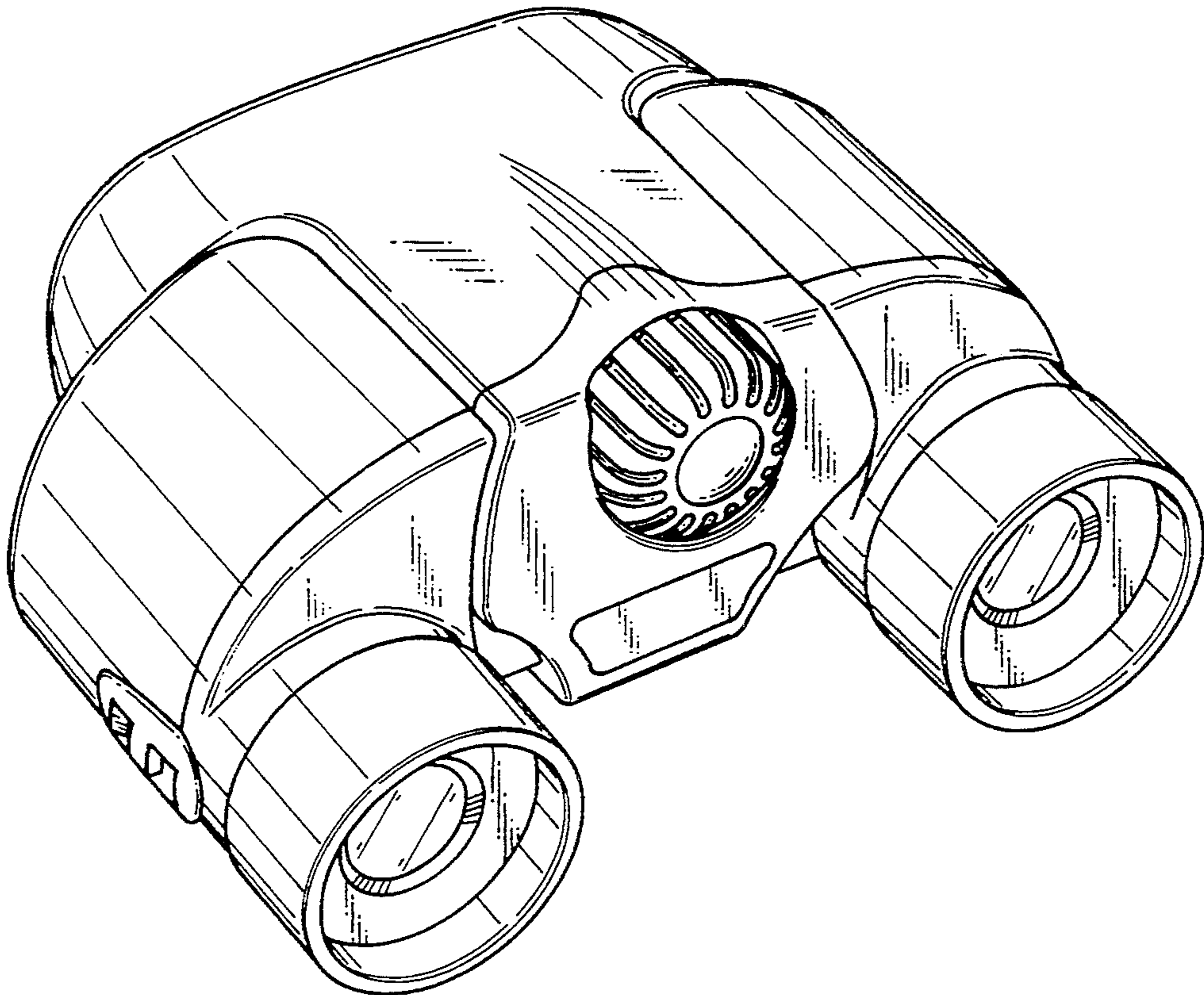
[30] **Foreign Application Priority Data**

Dec. 2, 1993 [JP] Japan ..... 5-36533

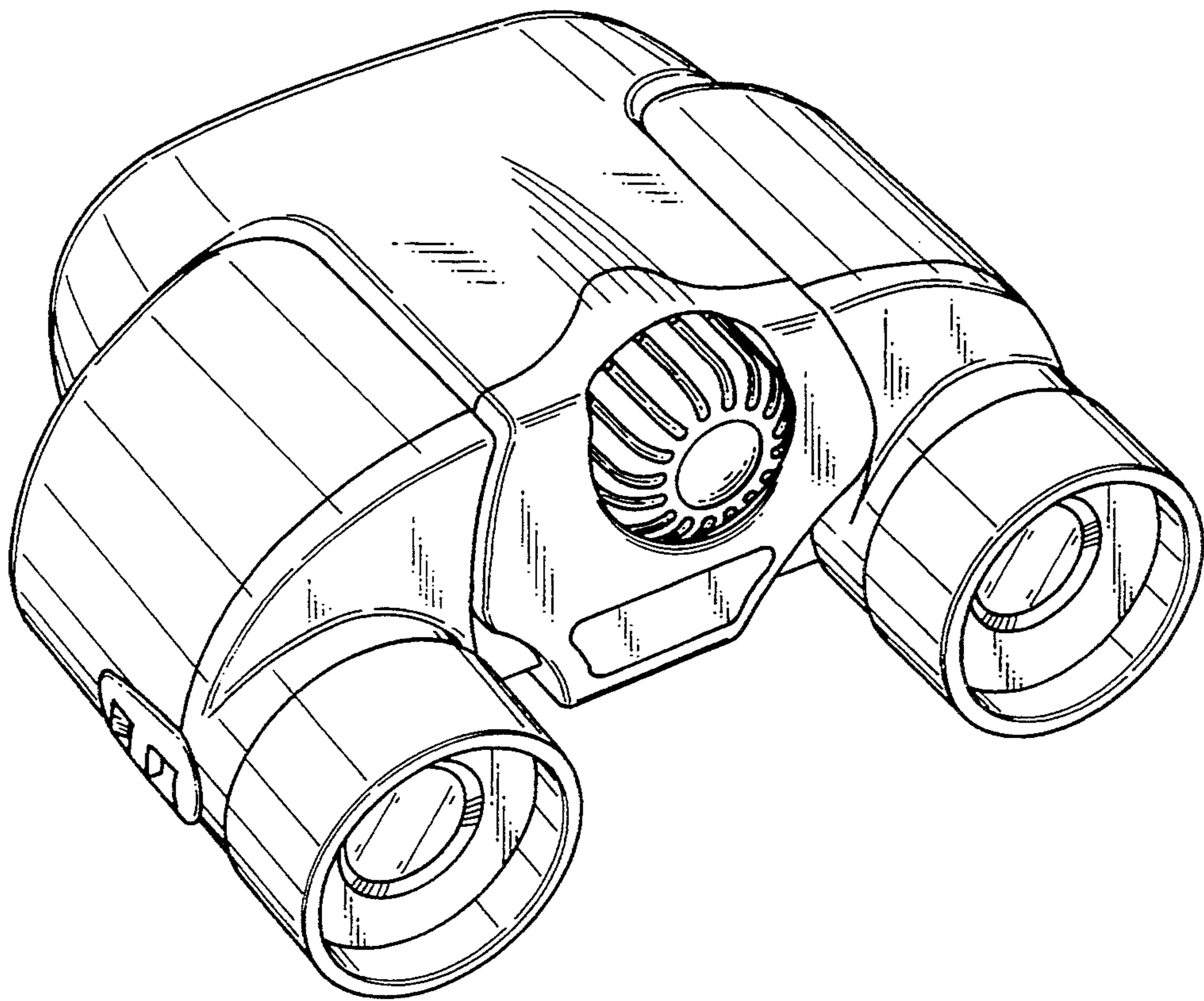
[52] U.S. Cl. .... **D16/133**

[58] Field of Search ..... D16/133; 359/408-419, 359/421, 422, 579, 554, 555, 556

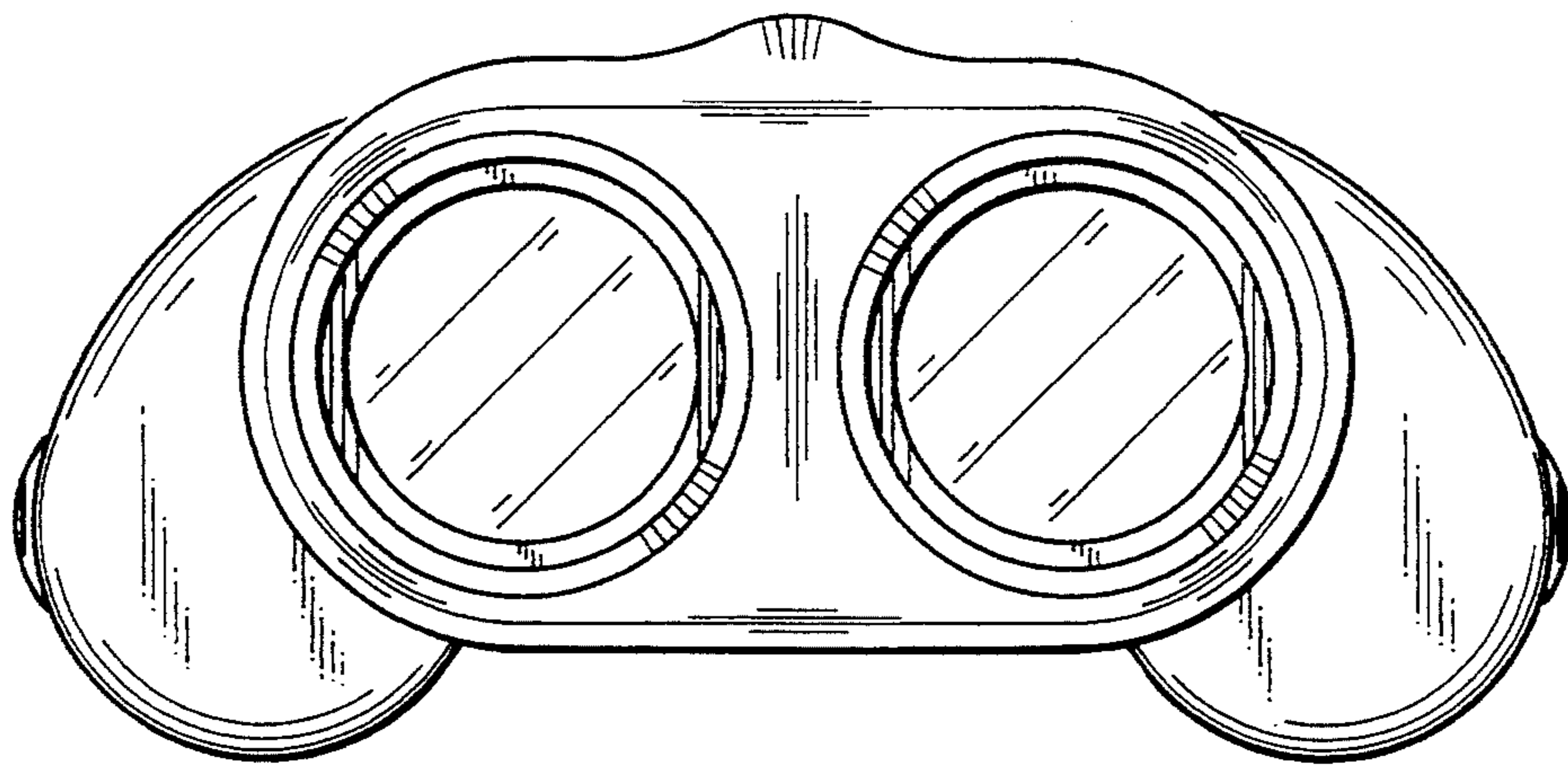
FIG. 1 is a perspective view of the top, front and left side of binoculars showing my new design; FIG. 2 is a rear elevational view thereof; FIG. 3 is a front elevational view thereof; FIG. 4 is a top plan view thereof; FIG. 5 is a bottom plan view thereof; FIG. 6 is a right side elevational view thereof; and, FIG. 7 is a left side elevational view thereof.



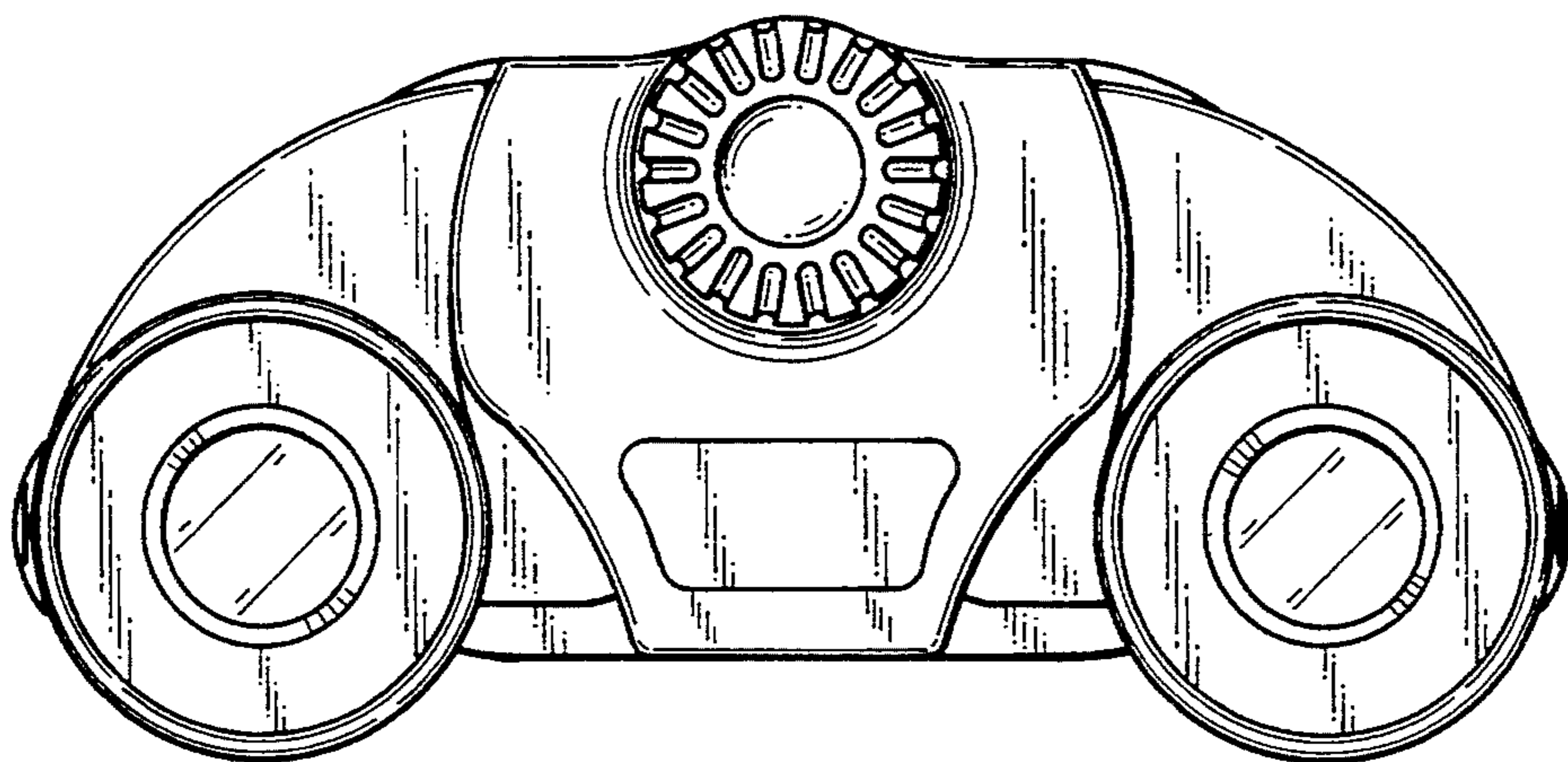
*Fig. 1*



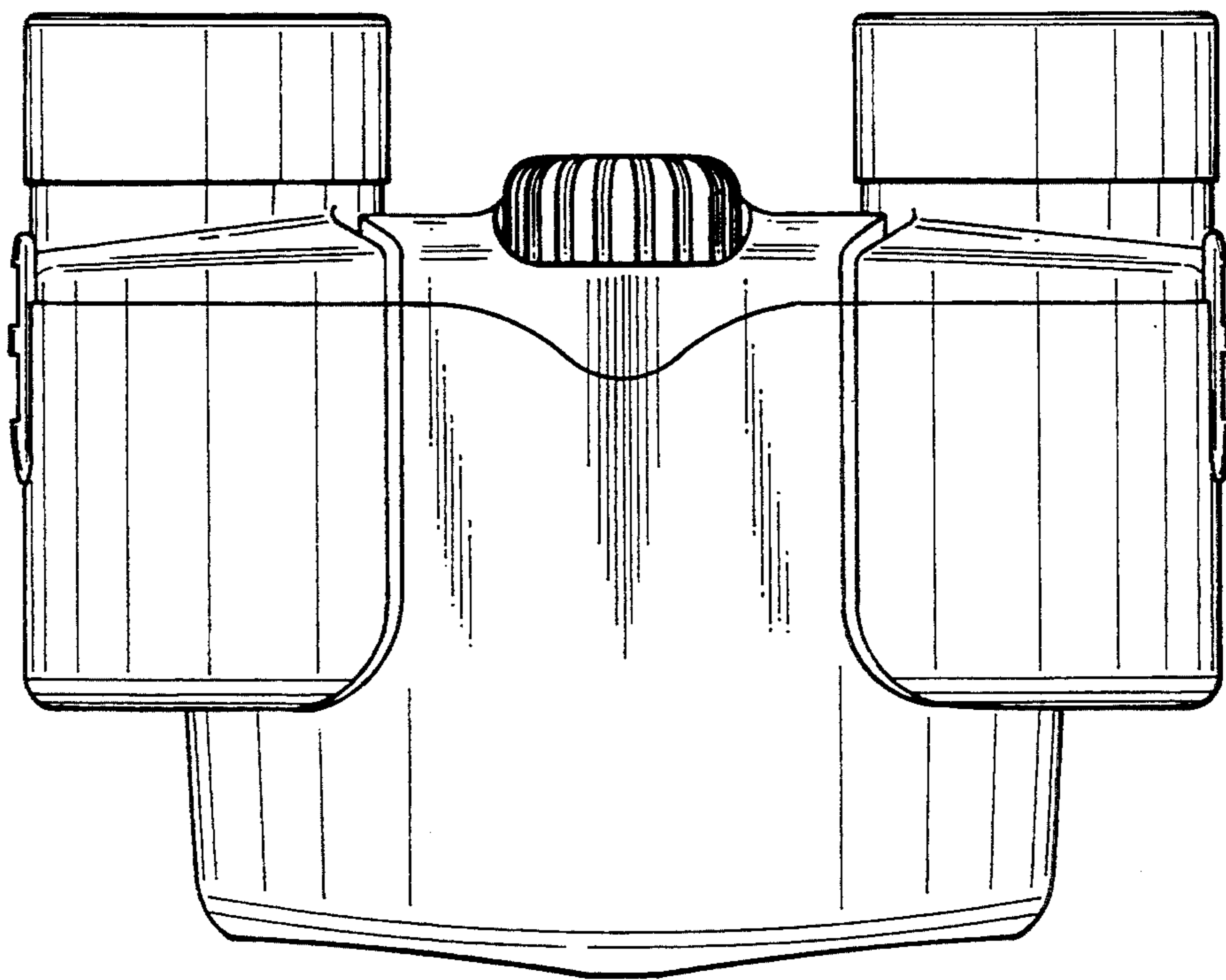
*Fig. 2*



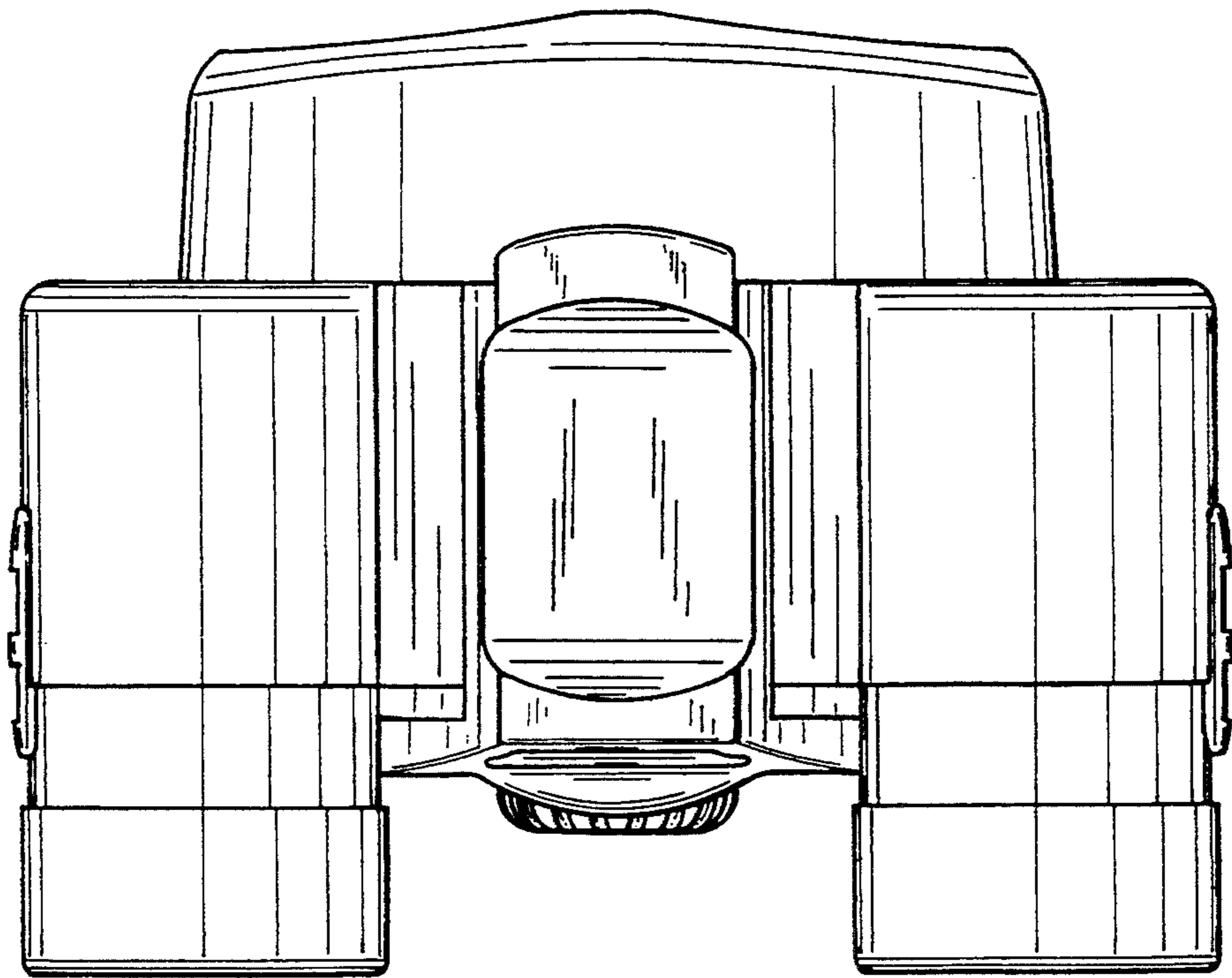
*Fig. 3*



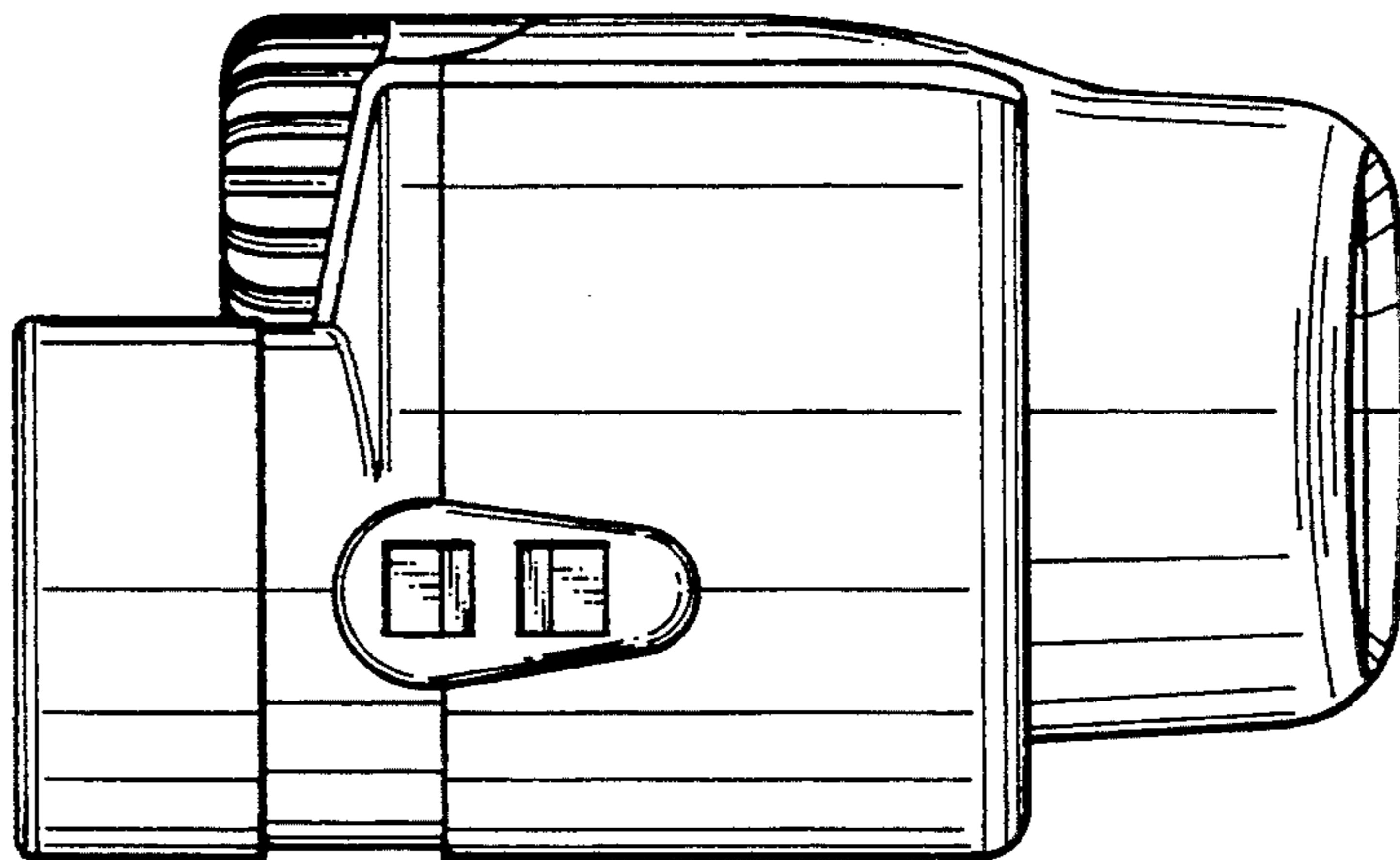
*Fig. 4*



*Fig. 5*



*Fig. 6*



*Fig. 7*

