



US00D359972S

United States Patent [19]
Takahashi

[11] **Patent Number: Des. 359,972**
[45] **Date of Patent: ** Jul. 4, 1995**

[54] **BINOCULARS**

[75] **Inventor: Akio Takahashi, Tokyo, Japan**

[73] **Assignee: Asahi Kogaku Kogyo Kabushiki Kaisha, Tokyo, Japan**

[**] **Term: 14 Years**

[21] **Appl. No.: 23,902**

[22] **Filed: Jun. 2, 1994**

[30] **Foreign Application Priority Data**

Dec. 2, 1993 [JP] Japan 5-36532
[52] **U.S. Cl. D16/133**
[58] **Field of Search D16/133; 359/408-419, 359/421, 422, 579, 554, 555, 556**

[56] **References Cited**

U.S. PATENT DOCUMENTS

D. 306,869 3/1990 Takahashi D16/133
D. 307,154 4/1990 Shishikura D16/133
D. 347,649 6/1994 Hashimoto et al. D16/133
5,231,535 7/1993 Peters et al. 359/414

Primary Examiner—Doris V. Coles
Attorney, Agent, or Firm—Sughrue, Mion, Zinn, Macpeak & Seas

[57] **CLAIM**

The ornamental design for binoculars, as shown.

DESCRIPTION

FIG. 1 is a perspective view of the top, front and left side of binoculars showing my new design;
FIG. 2 is a rear elevational view thereof;
FIG. 3 is a front elevational view thereof;
FIG. 4 is a top plan view thereof;
FIG. 5 is a bottom plan view thereof;
FIG. 6 is a right side elevational view thereof; and,
FIG. 7 is a left side elevational view thereof.

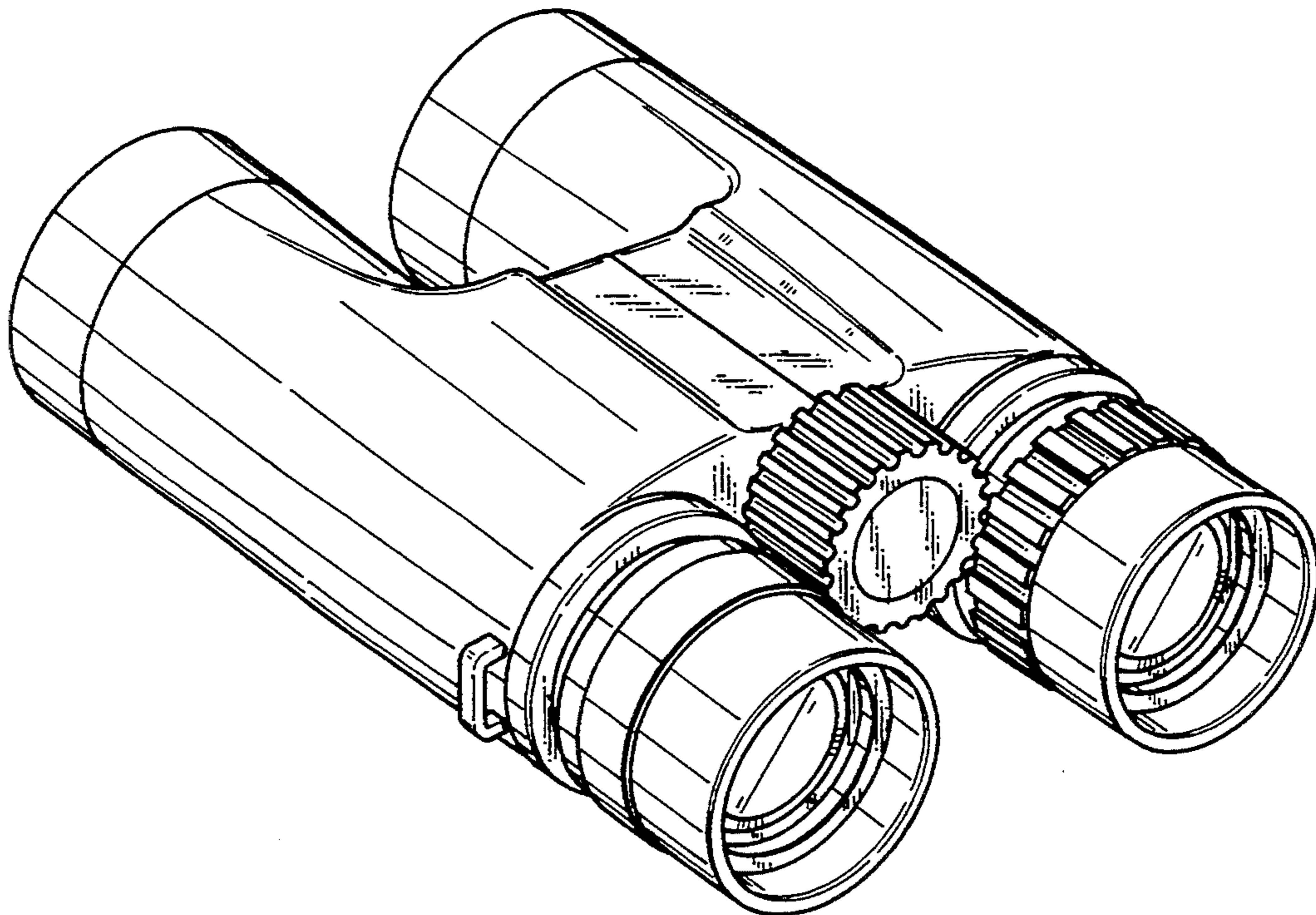


Fig. 1

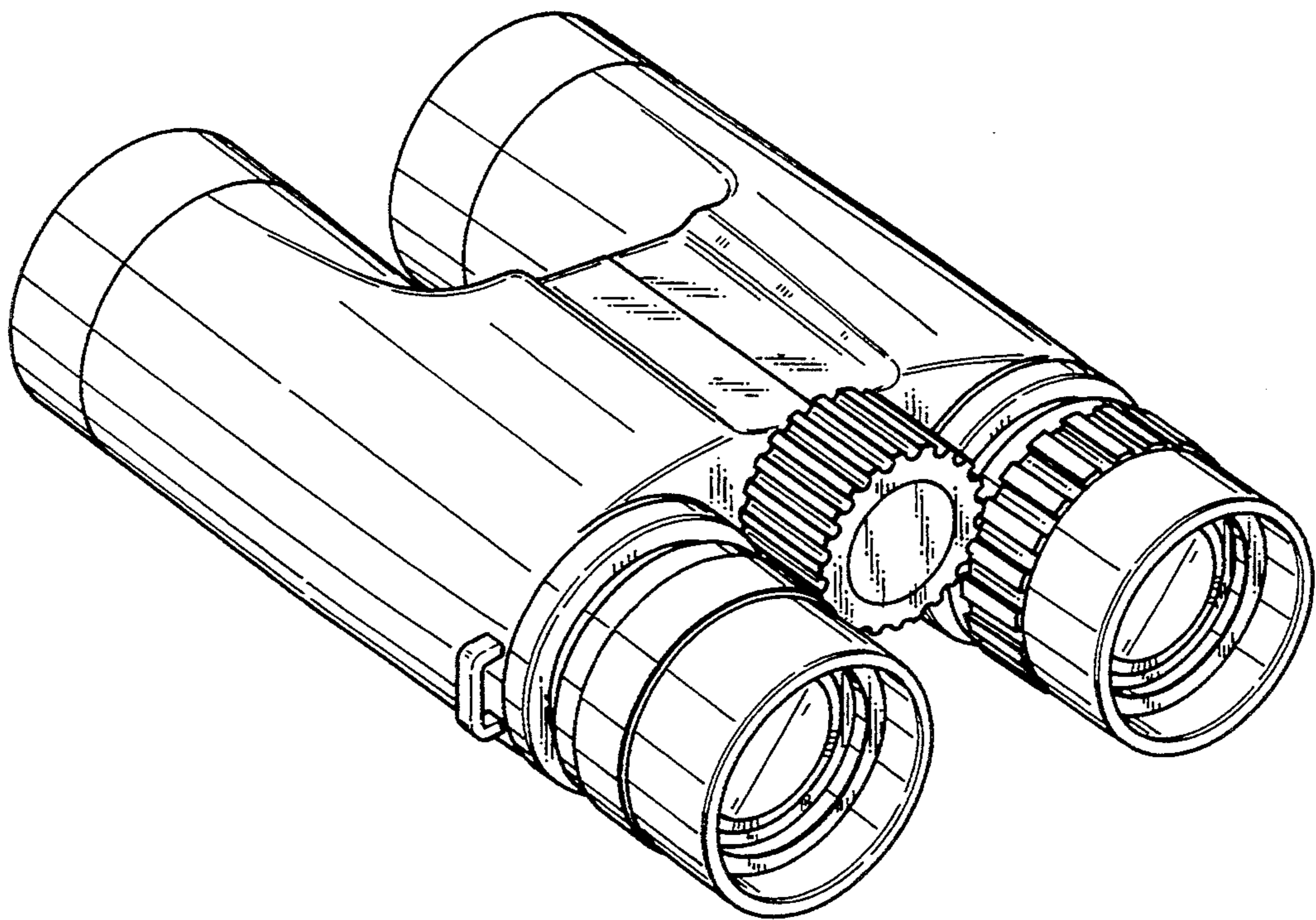


Fig. 2

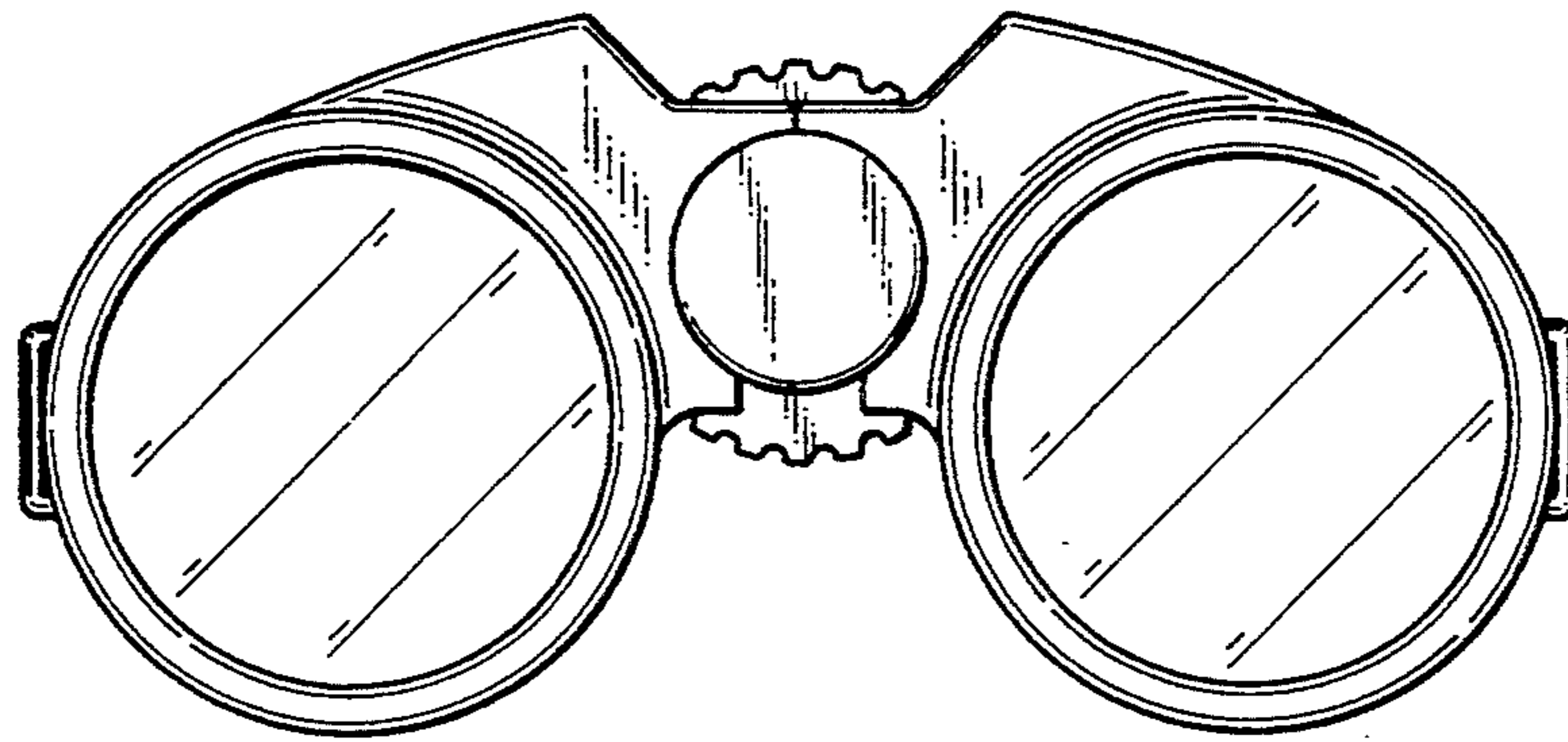


Fig. 3

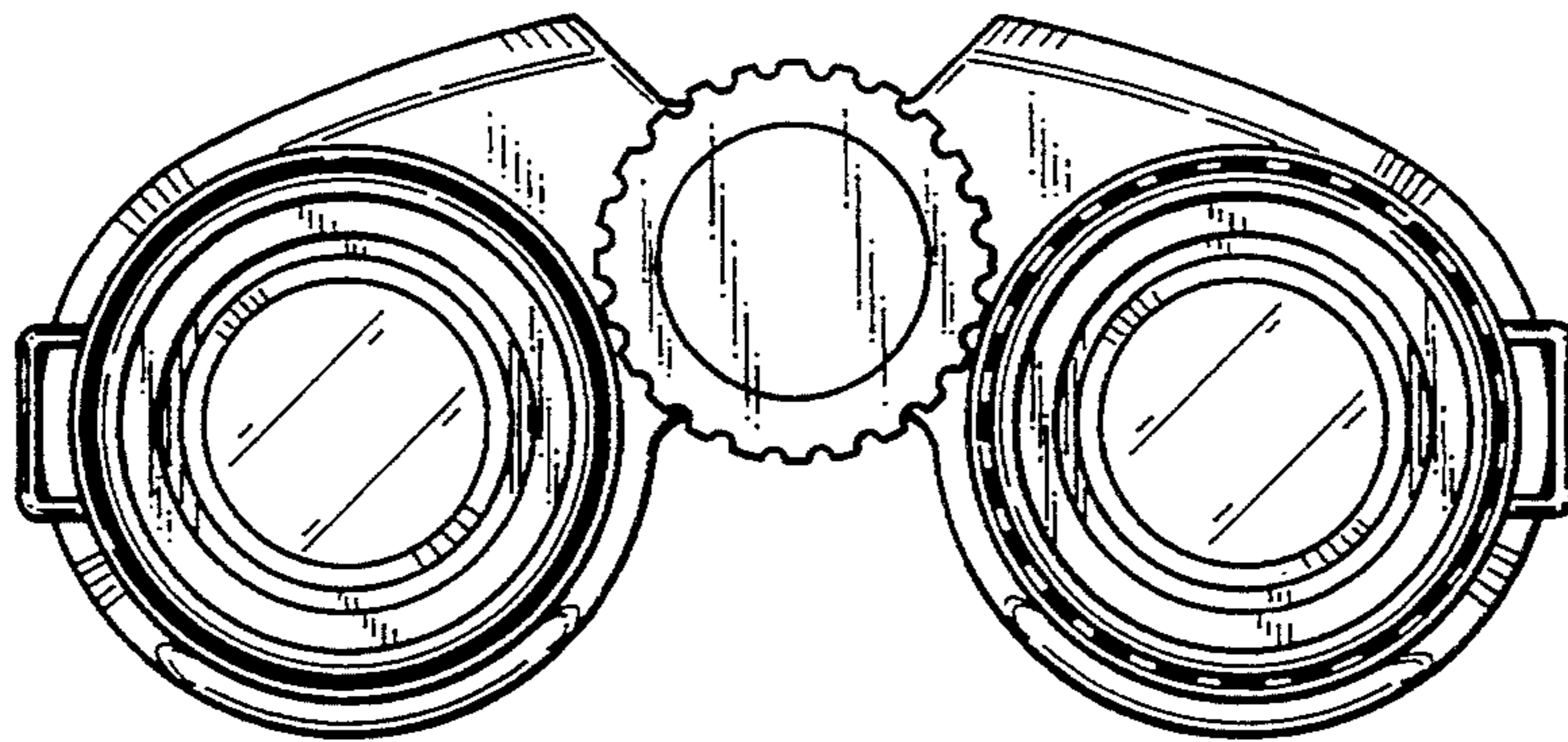


Fig. 4

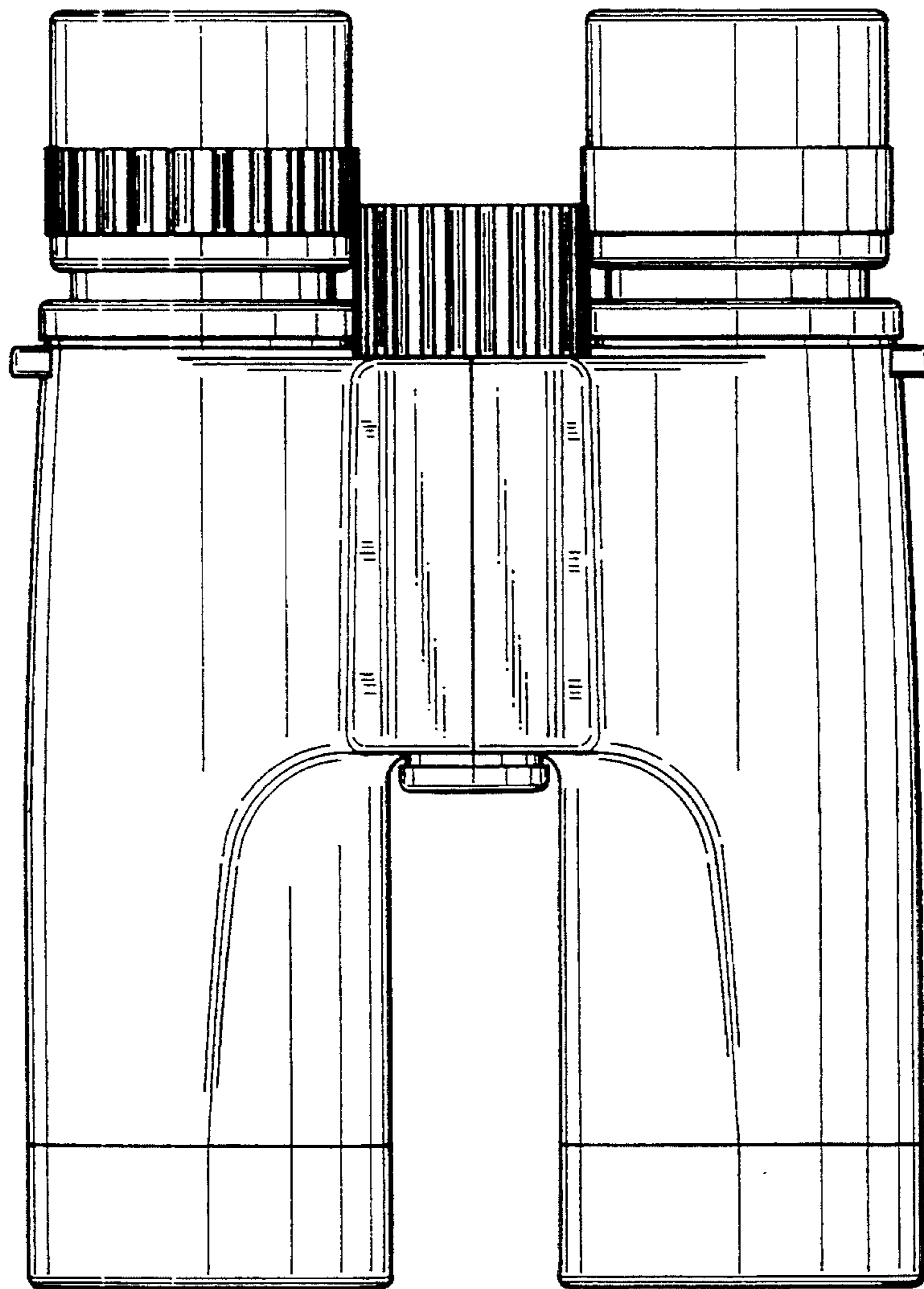


Fig. 5

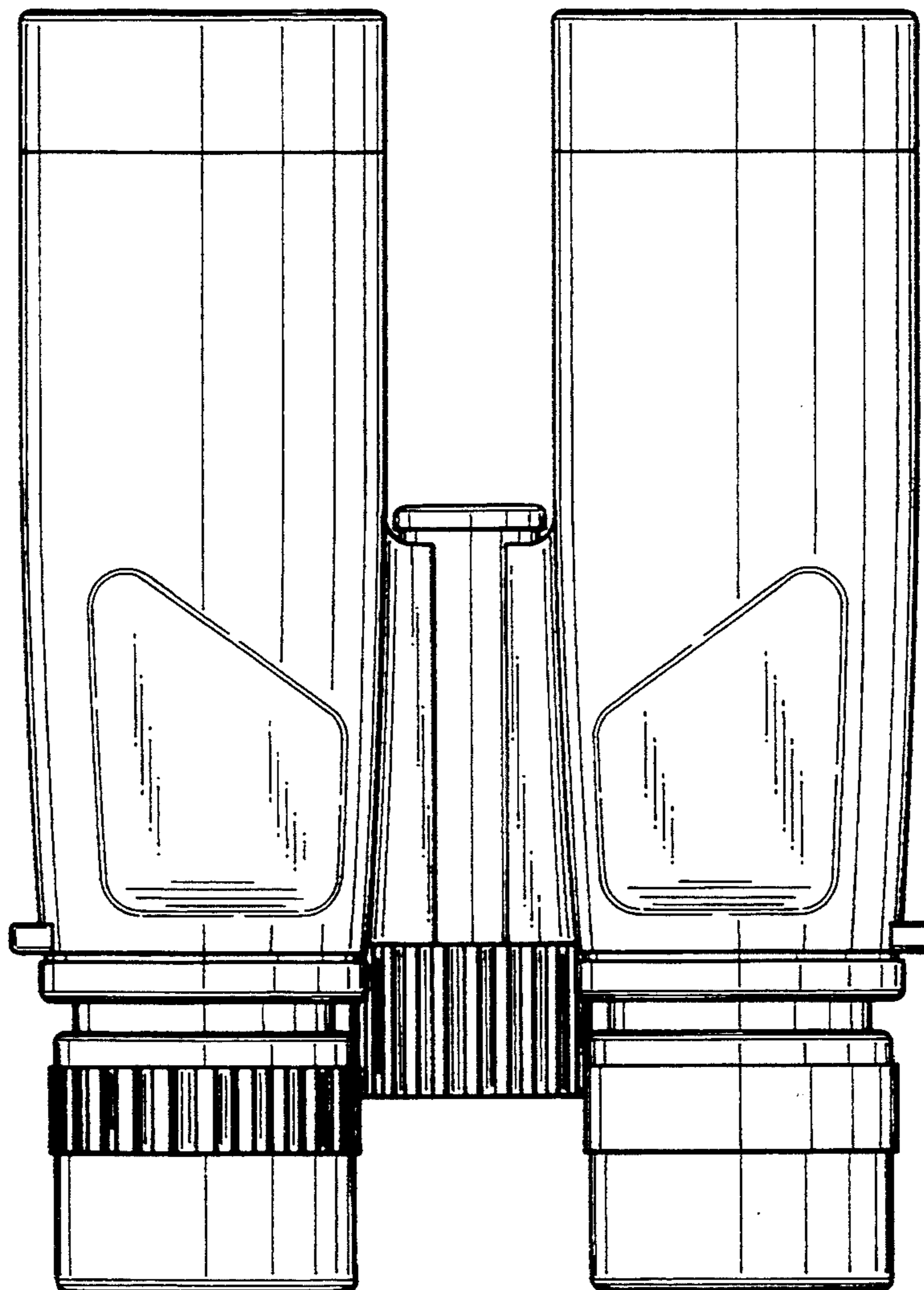


Fig. 6

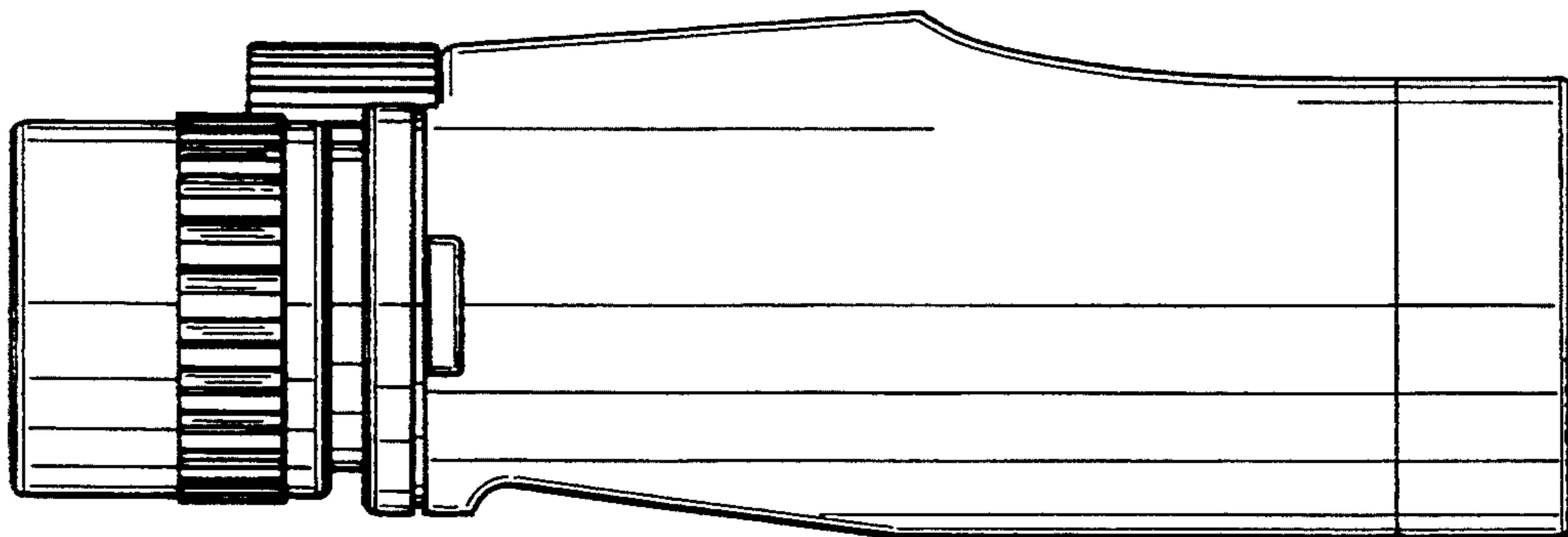


Fig. 7

