



US00D359968S

# United States Patent [19]

[11] Patent Number: **Des. 359,968**

Ekblad et al.

[45] Date of Patent: **\*\* Jul. 4, 1995**

[54] **CUTTING ELEMENT FOR WIRE SAW**

[56] **References Cited**

[76] Inventors: **Stefan Ekblad**, Erik Dahlbergsgatan 11A, S-553 37 Jönköping; **Ingemar Eriksson**, Solhällsvägen 38, S-561 38 Huskvarna; **Bengt von Knorring**, Kyrkogatan 30, S-570 22 Forserum, all of Sweden; **Oswaldo Cai**, Via Leopardi 4, I-10040 La Loggia (TO), Italy

### U.S. PATENT DOCUMENTS

3,297,014	1/1967	Snow .....	125/21
3,598,101	8/1971	Hensley .....	125/21
4,015,931	4/1977	Thakur .....	125/21
4,097,246	6/1978	Olson .....	125/21 X
5,123,400	6/1992	Edgerton .....	125/21
5,216,999	6/1993	Han .....	125/21
5,226,404	7/1993	Mogi et al. ....	83/794 X

[\*\*] Term: **14 Years**

*Primary Examiner*—Antoine Duval Davis

[21] Appl. No.: **16,636**

[57] **CLAIM**

The ornamental design for a cutting element for wire saw, as shown and described.

[22] Filed: **Dec. 21, 1993**

### DESCRIPTION

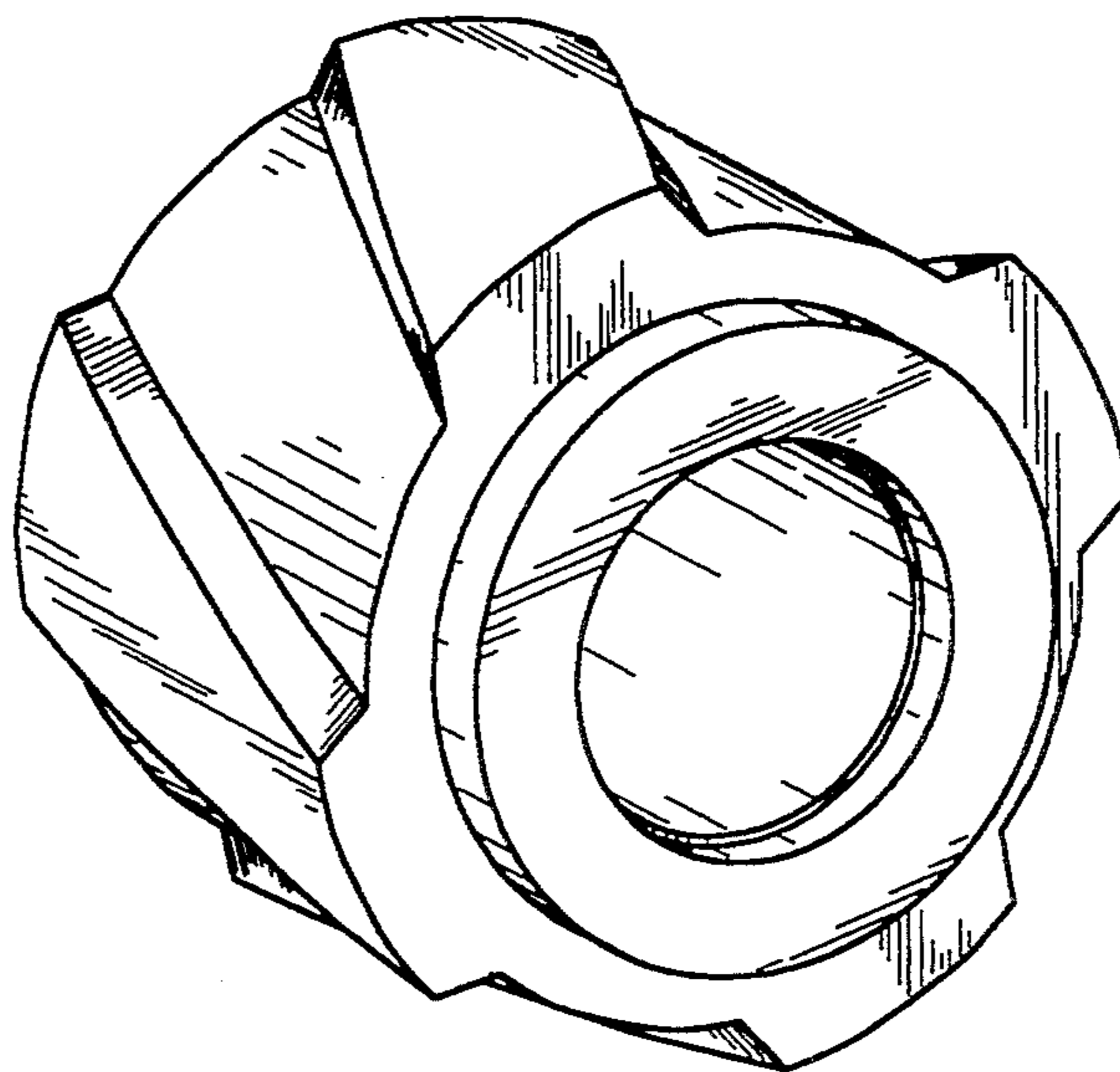
[30] **Foreign Application Priority Data**

Jul. 2, 1993 [SE] Sweden ..... 931525

[52] U.S. Cl. .... **D15/139**

[58] Field of Search ..... D15/138, 139; 83/794, 83/788, 810, 830; 125/18, 20, 21, 22

FIG. 1 is a perspective view of a cutting element for a wire saw showing our new design; FIG. 2 is a front elevational view thereof; FIG. 3 is a top plan view thereof; FIG. 4 is a rear elevational view thereof; and, FIG. 5 is a left side elevational view thereof.



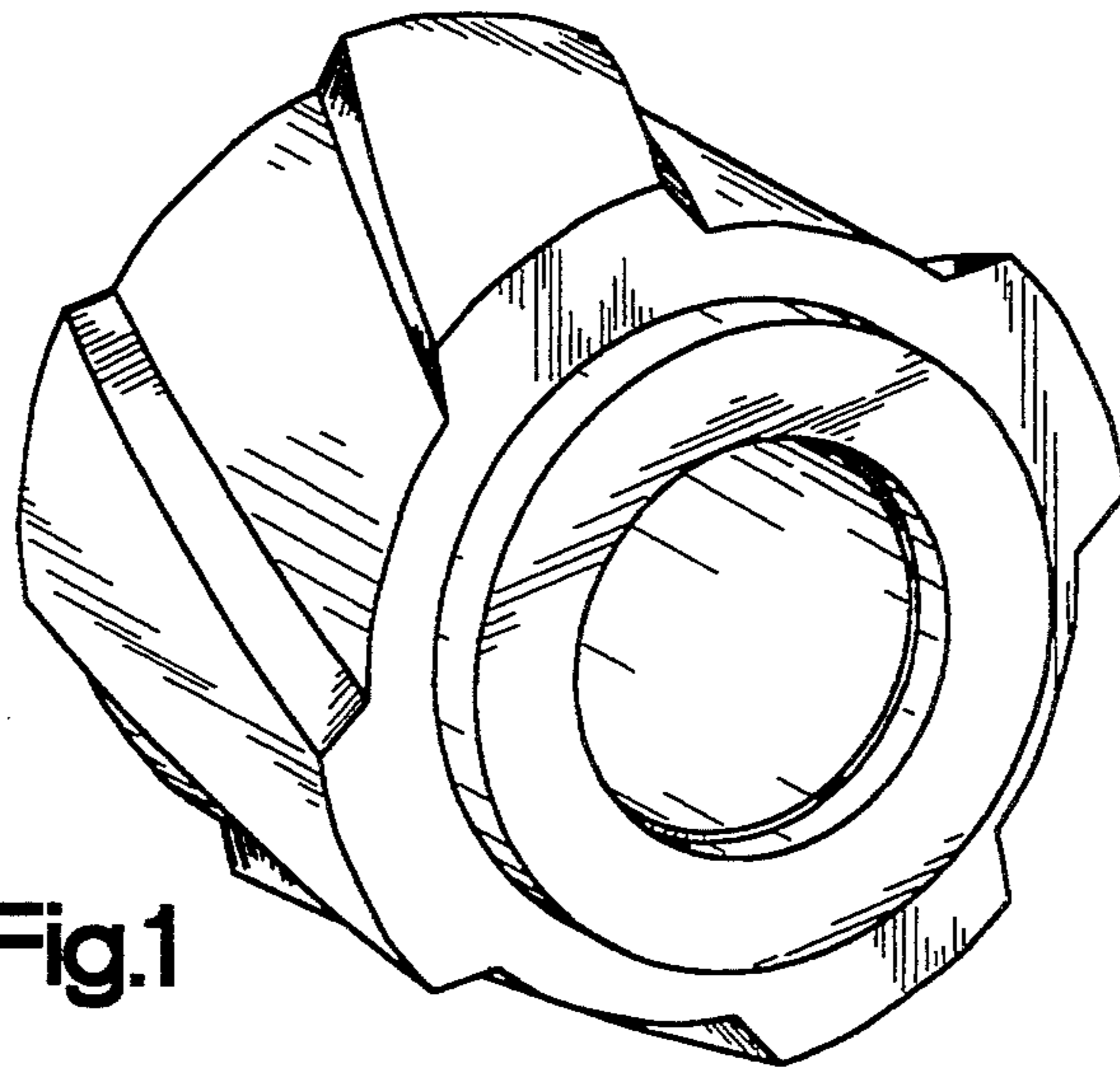


Fig.1

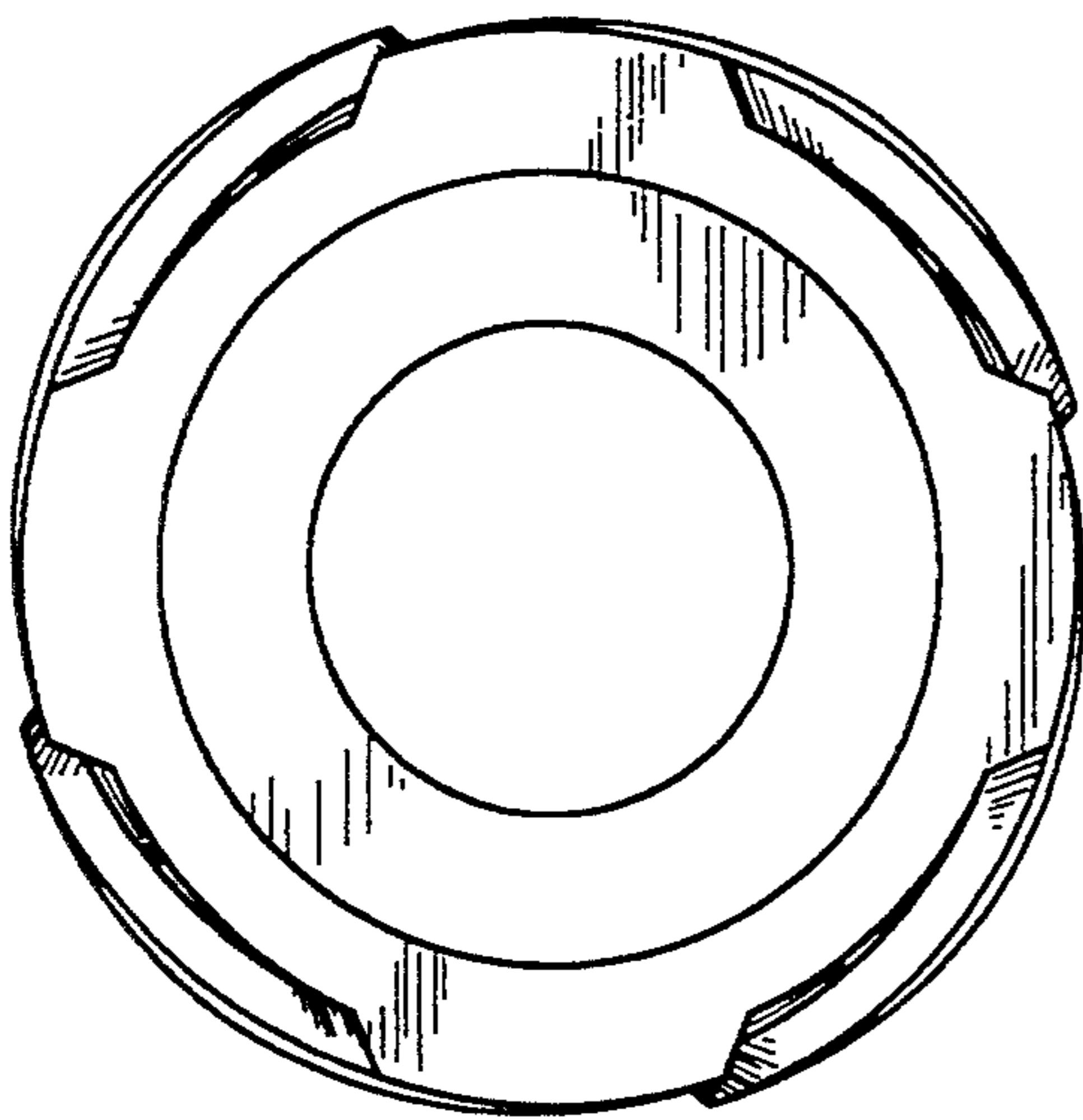


Fig.2

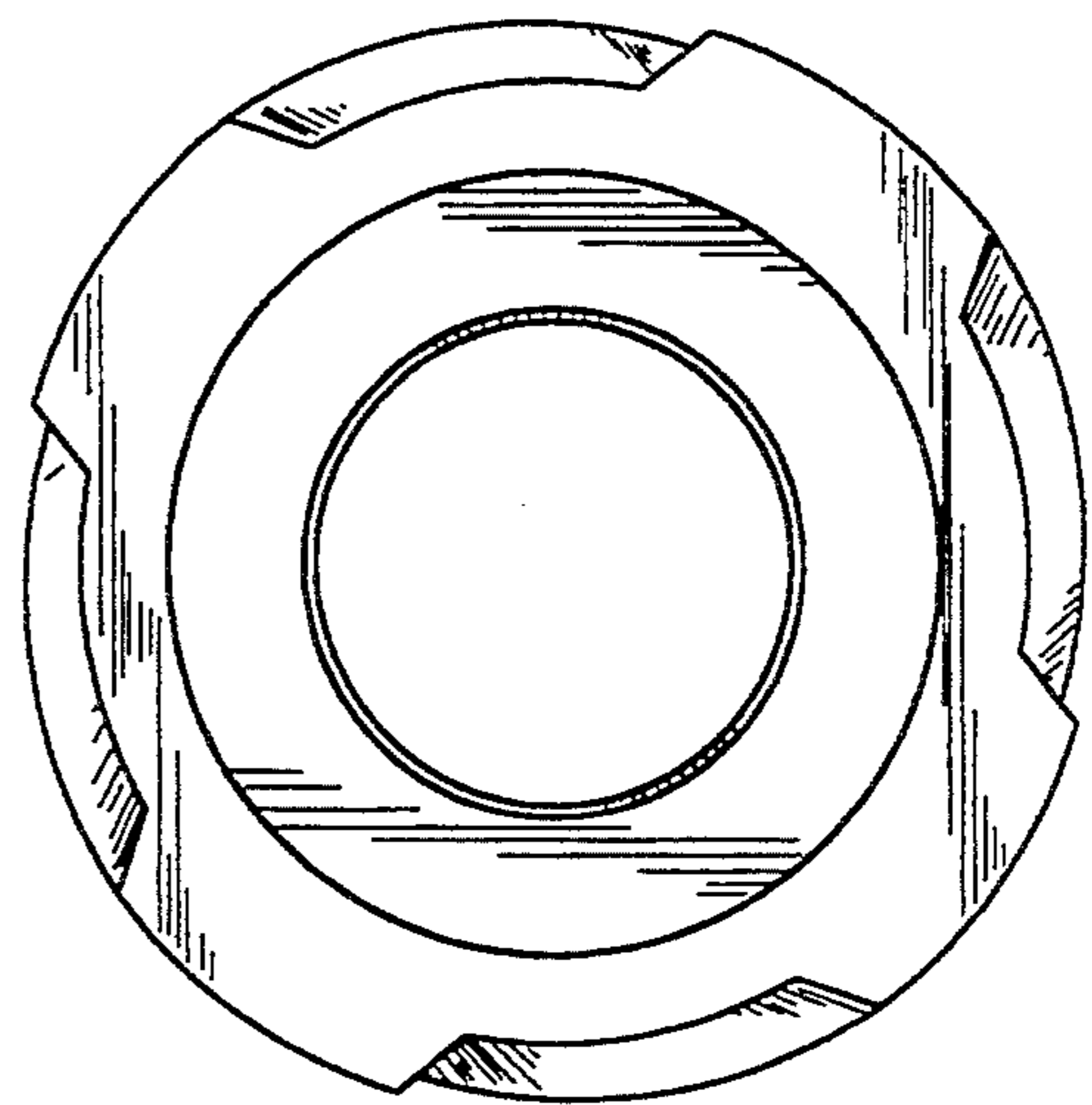


Fig.4

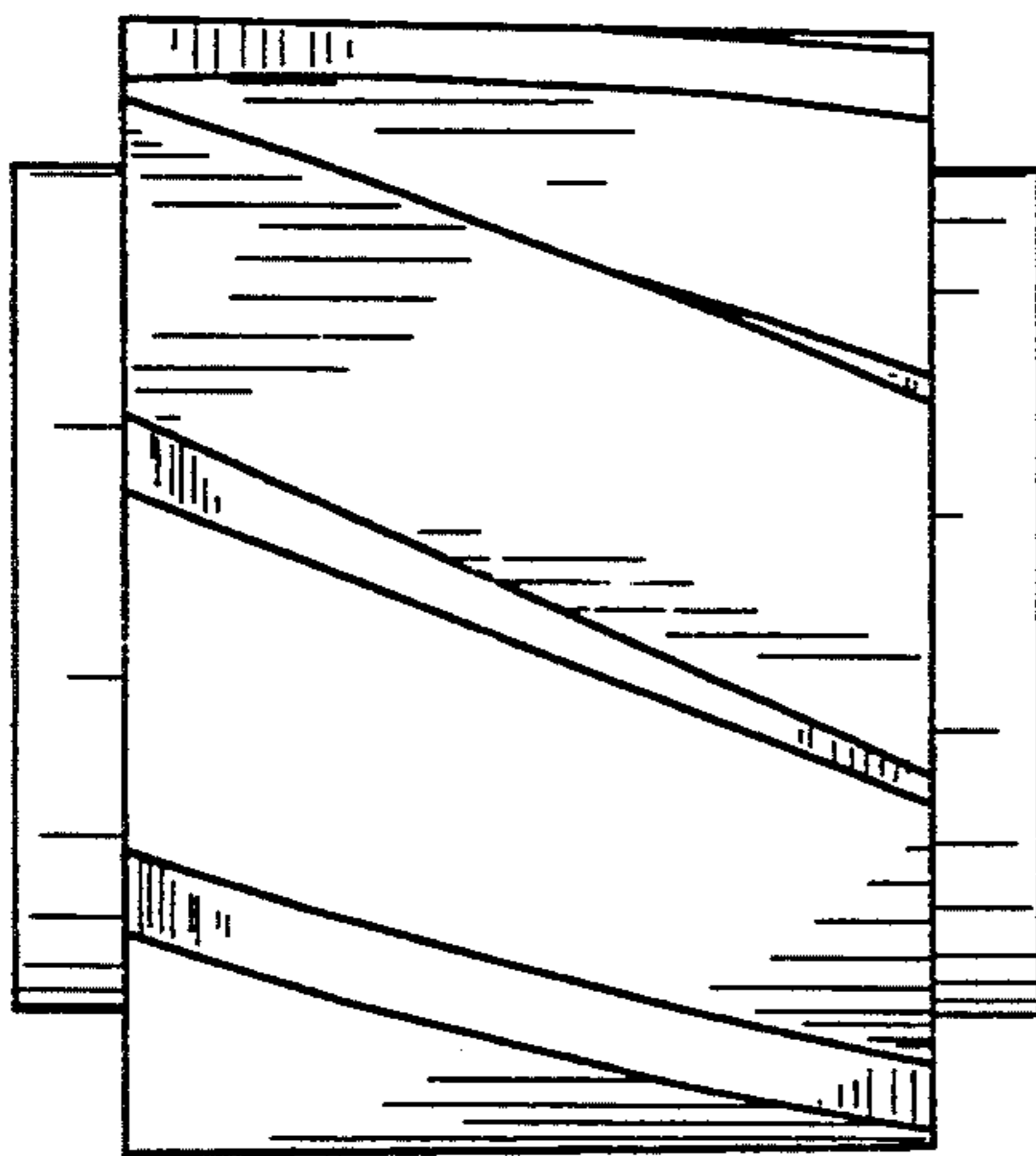


Fig.3

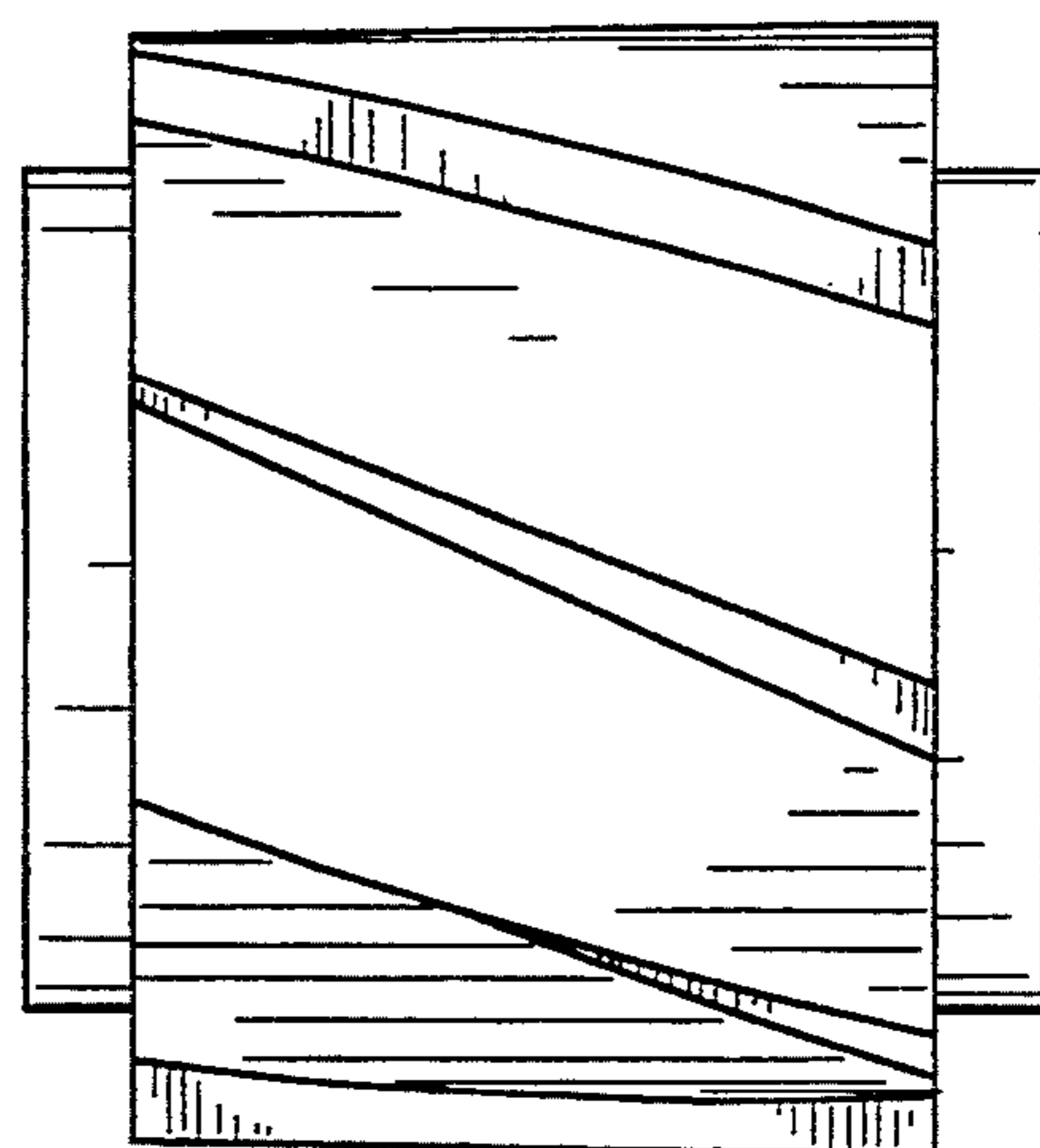


Fig.5

UNITED STATES PATENT AND TRADEMARK OFFICE  
**CERTIFICATE OF CORRECTION**

PATENT NO. : Des. 359,968  
DATED : July 4, 1995  
INVENTOR(S) : Stefan Ekblad et al

It is certified that error appears in the above-identified patent and that said Letters Patent is hereby corrected as shown below:

On the title page, after item [76] insert the following:

--[73] Assignee: Forsaljnings Aktiebolaget Dimas  
Jonkoping, Sweden--.

On the title page, before item [57] Claim, insert the following:

--Attorney, Agent or Firm: --Pearne, Gordon, McCoy & Granger--;  
and in the claim, after "wire" insert --a--.

Signed and Sealed this  
Fourteenth Day of November, 1995

Attest:



BRUCE LEHMAN

Attesting Officer

Commissioner of Patents and Trademarks