



US00D359967S

United States Patent [19]

[11] Patent Number: **Des. 359,967**

Eichenberg et al.

[45] Date of Patent: **** Jul. 4, 1995**

[54] **HAND OPERATED DIE PRESS**

[76] Inventors: **LaDorna E. Eichenberg; Robert J. Eichenberg**, both of 17171 Daimler, Irvine, Calif. 92714

[**] Term: **14 Years**

[21] Appl. No.: **24,095**

[22] Filed: **Jun. 8, 1994**

[52] U.S. Cl. **D15/123; D15/128**

[58] Field of Search **D15/123, 128; 83/590, 83/628, 633, 824; 100/54, 902**

[56] **References Cited**

U.S. PATENT DOCUMENTS

- D. 254,553 3/1980 Thomas et al. D15/123
- D. 341,842 11/1993 Eichenberg et al. D15/123

Primary Examiner—Antoine Duval Davis
Attorney, Agent, or Firm—Hawes & Fischer

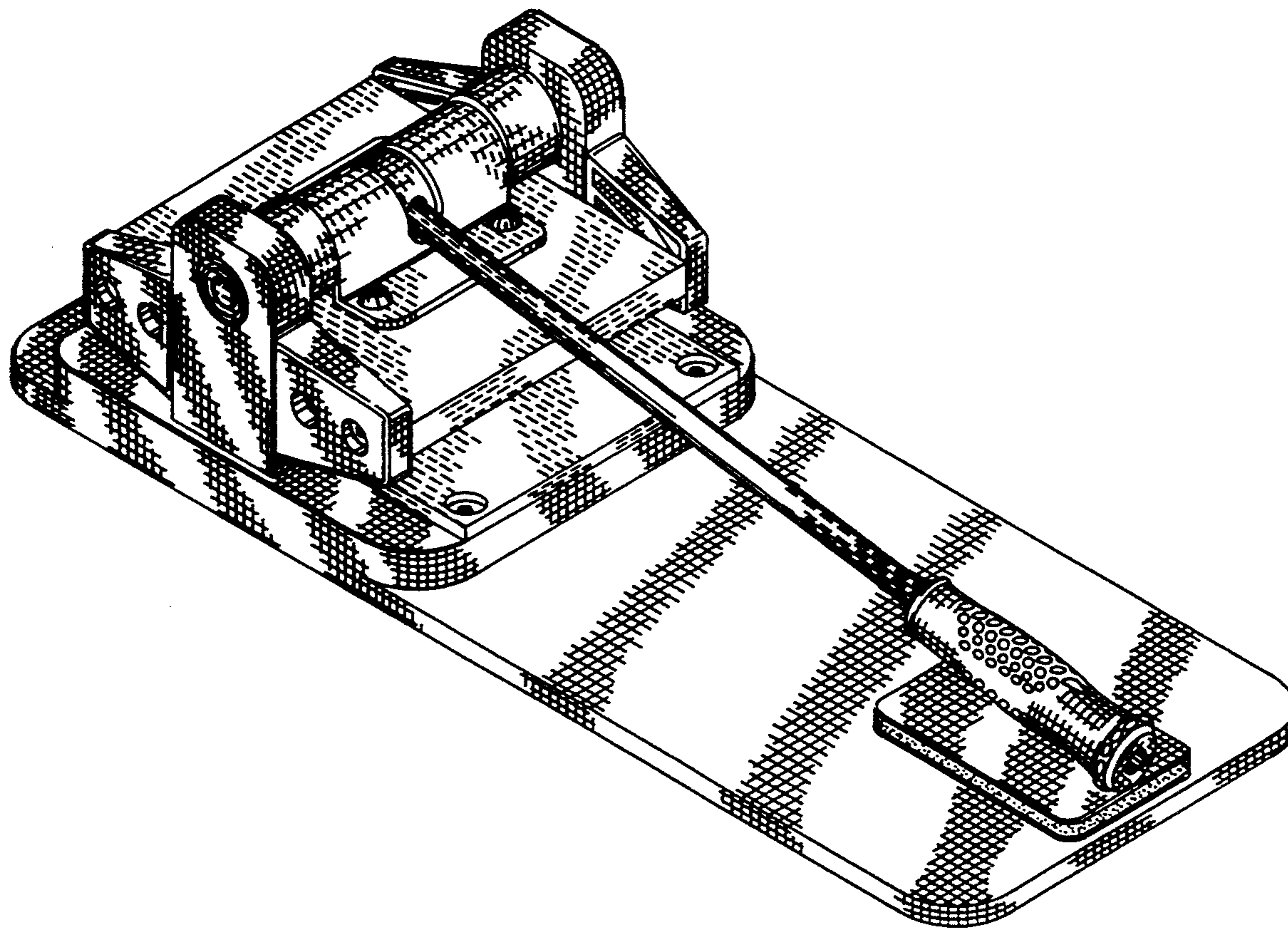
[57] **CLAIM**

The ornamental design for a hand operated die press, as shown and described.

DESCRIPTION

FIG. 1 is a perspective view of a hand operated die press showing the design;
 FIG. 2 is a left side elevational view thereof, the right side elevational view being a mirror image of the left side elevational view;
 FIG. 3 is a top view thereof;
 FIG. 4 is a bottom view thereof;
 FIG. 5 is a front view thereof; and,
 FIG. 6 is a rear view thereof.

The shading of the design has been marked to indicate color. Specifically, the shaft to which the handle is connected has a light metallic or silver color, as does the bracket with the slot within which the handle moves as well as the top platen to which the bracket is connected. All other major parts are black with the exception of the bearing assemblies in the ends of the posts that receive the shaft driven by the handle, which assemblies also are a light metallic or silver color.



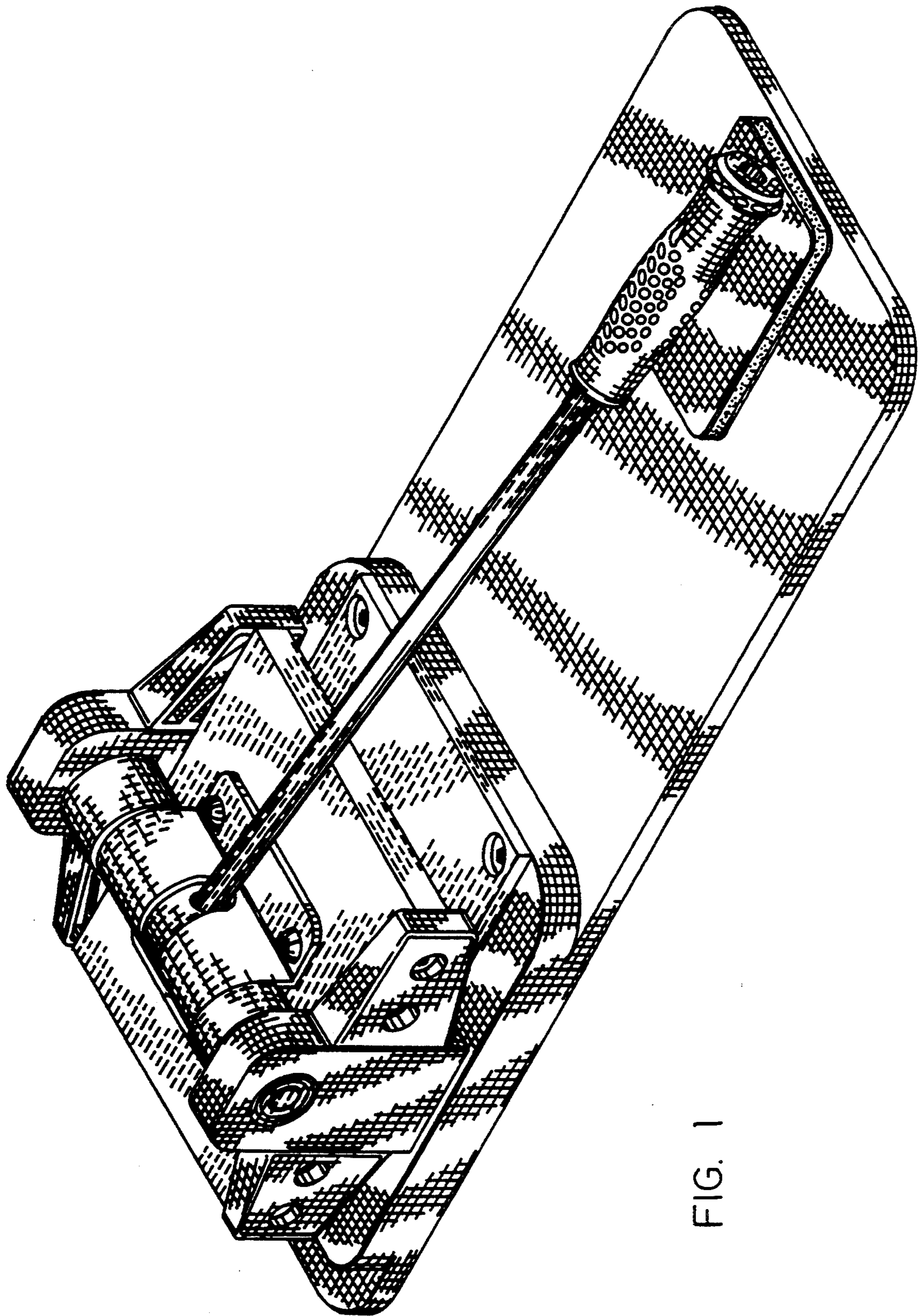


FIG. 1

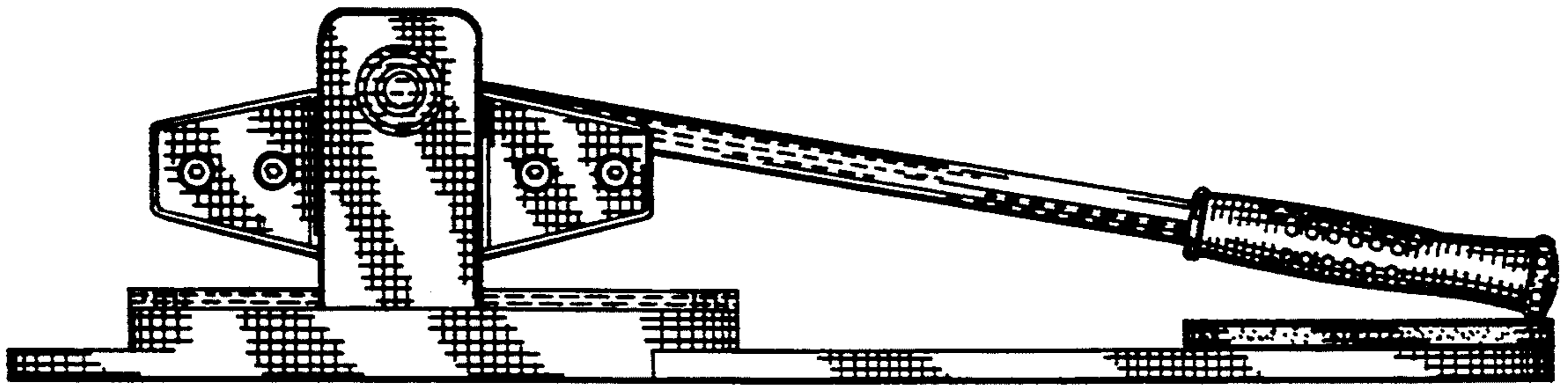


FIG. 2

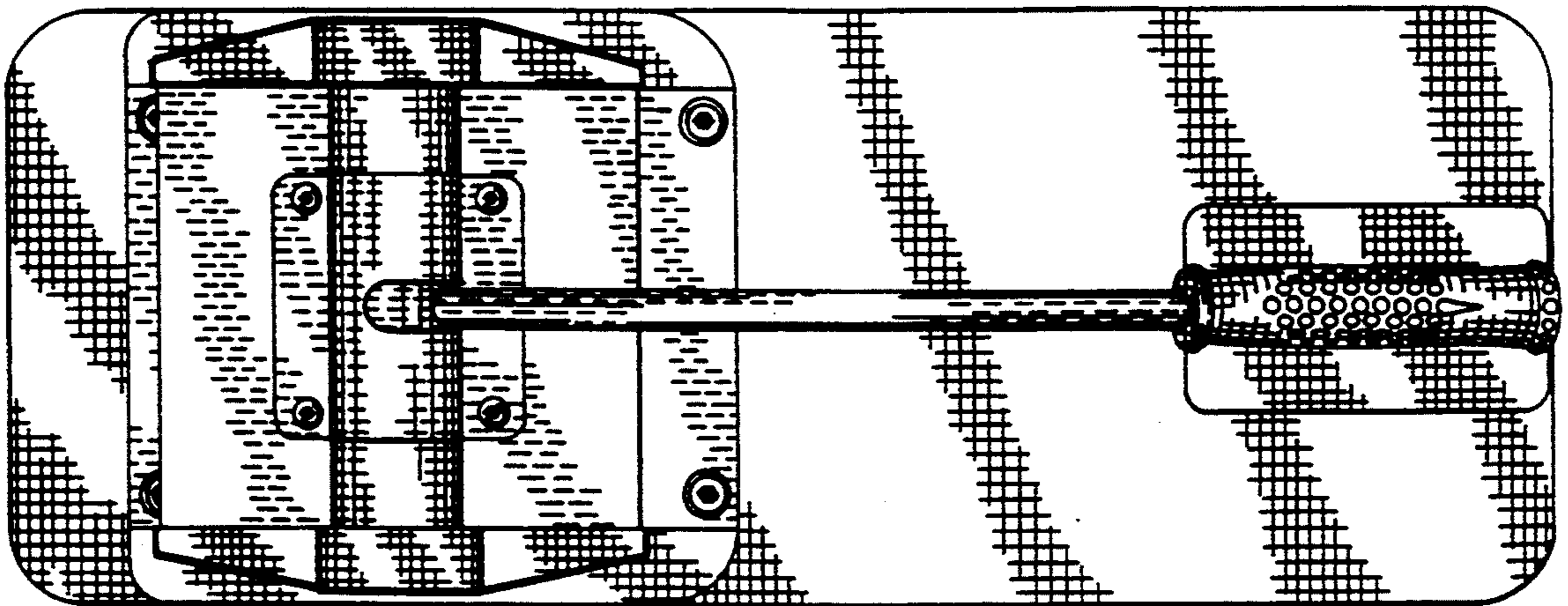


FIG. 3

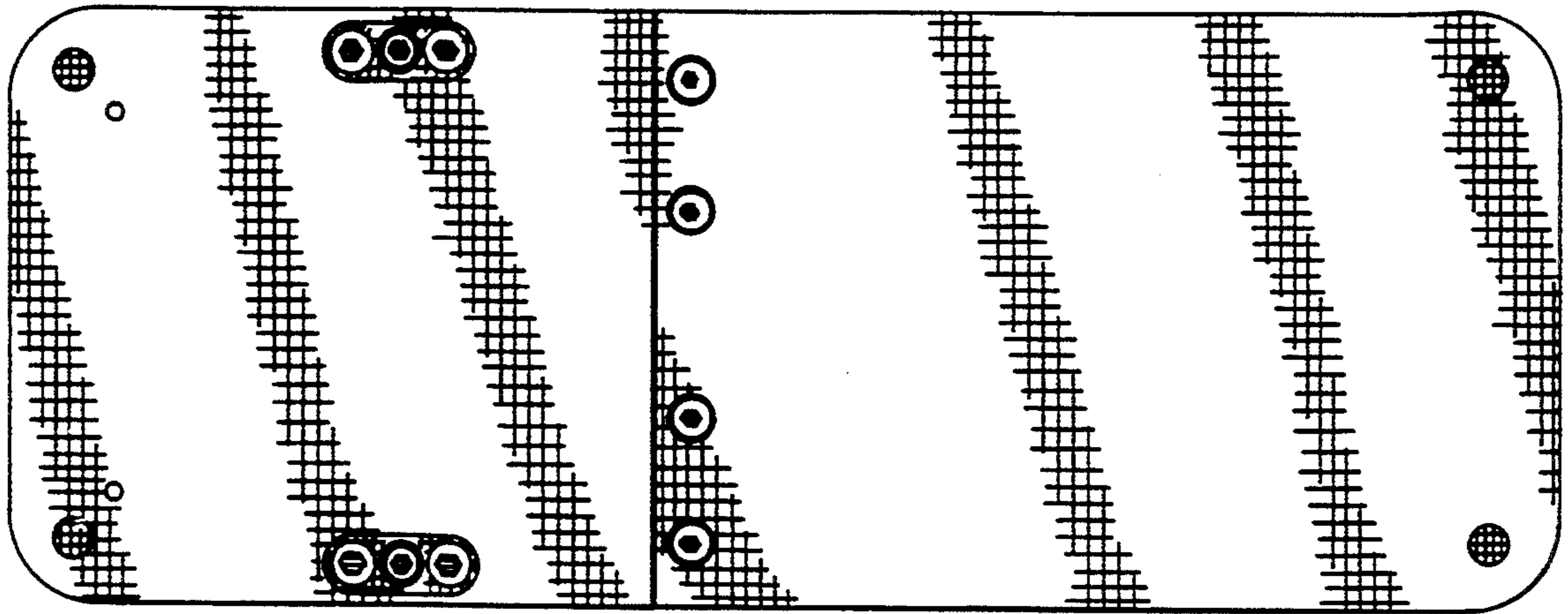


FIG. 4

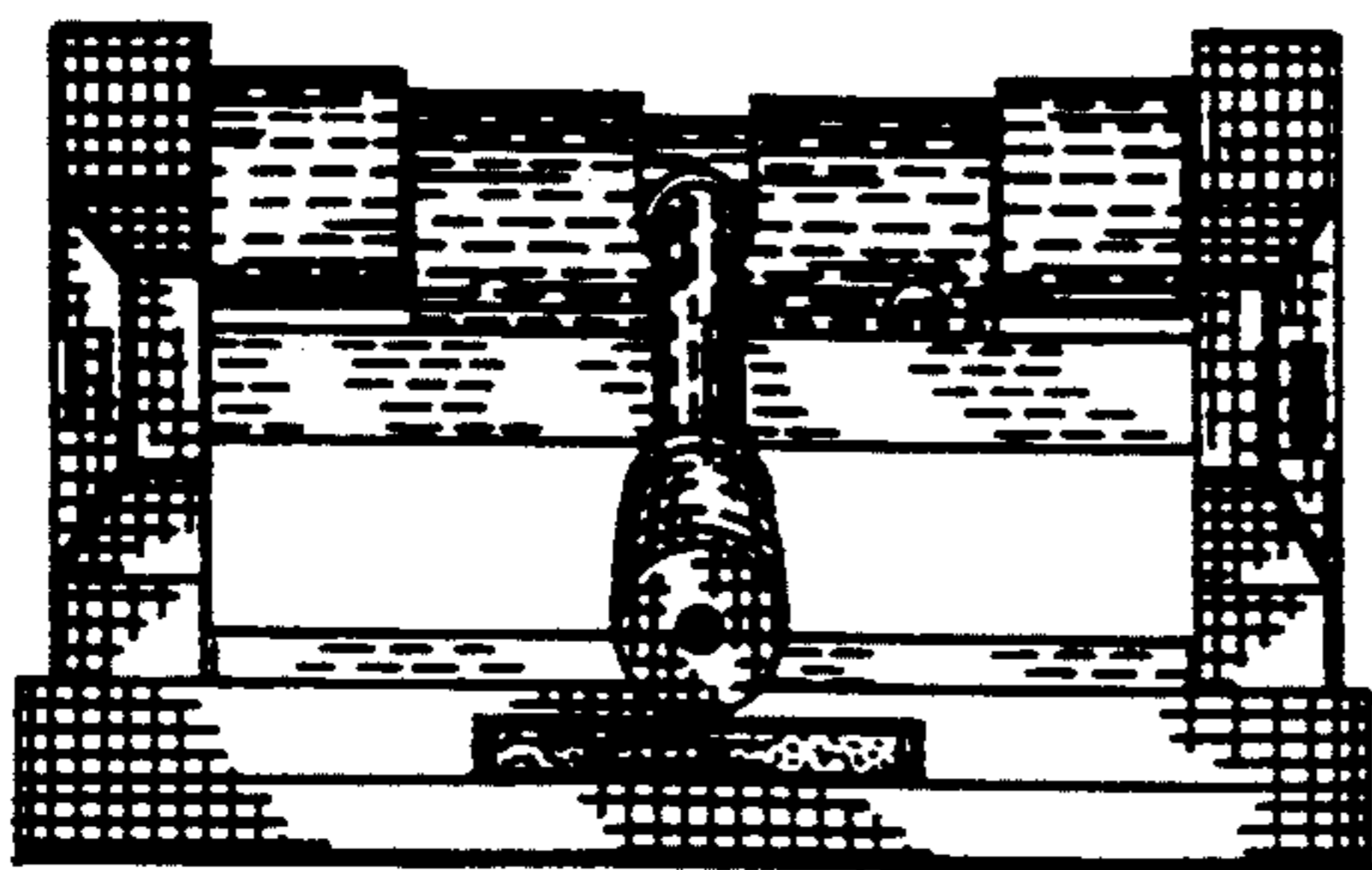


FIG. 5

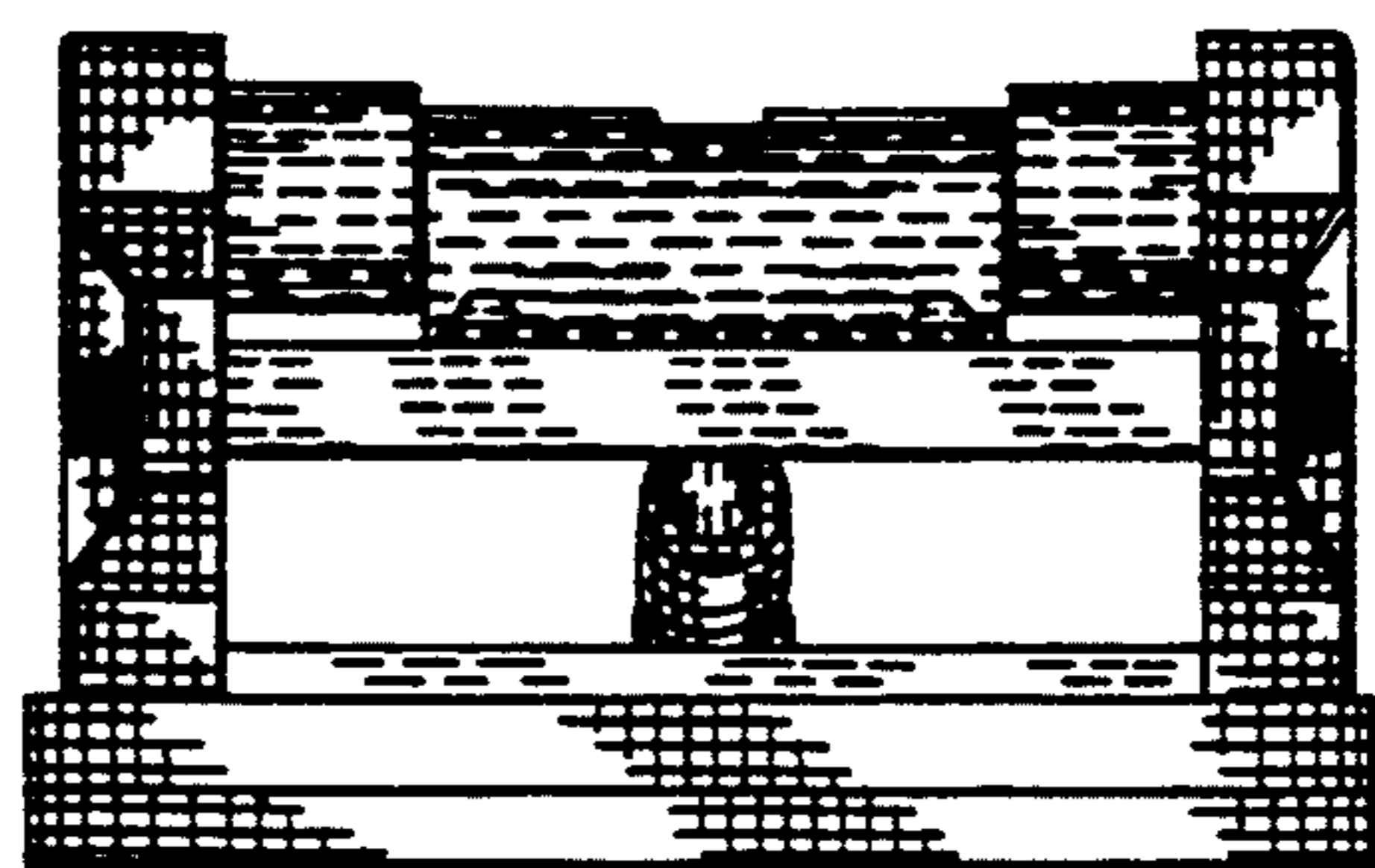


FIG. 6