



US00D359966S

United States Patent [19]

[11] Patent Number: **Des. 359,966**

Laib et al.

[45] Date of Patent: **** Jul. 4, 1995**

[54] ICE CUBE TRAY

4,366,941	1/1983	Harris	249/129
4,432,529	2/1984	McMillan	249/52
4,967,995	11/1990	Burgess	249/70
5,044,600	9/1991	Shannon	249/127
5,188,744	2/1993	Silverman	249/119

[75] Inventors: **Douglas M. Laib**, Kissimmee, Fla.;
Dominick Loscalzo, Whitestone;
Bruce M. Scott, Fort Salonga, both
of N.Y.

FOREIGN PATENT DOCUMENTS

[73] Assignee: **Dart Industries Inc.**, Deerfield, Ill.

2649190 1/1991 France 249/127

[**] Term: **14 Years**

Primary Examiner—Prabhakar G. Deshmukh

[21] Appl. No.: **23,552**

Assistant Examiner—Sandra Morris

[22] Filed: **Jun. 3, 1994**

Attorney, Agent, or Firm—John A. Doninger

[52] U.S. Cl. **D15/90**

[57] CLAIM

[58] Field of Search D15/79, 89, 90; 249/52,
249/116, 117, 118-121, 126-129; 62/459, 463

The ornamental design for an ice cube tray, as shown
and described.

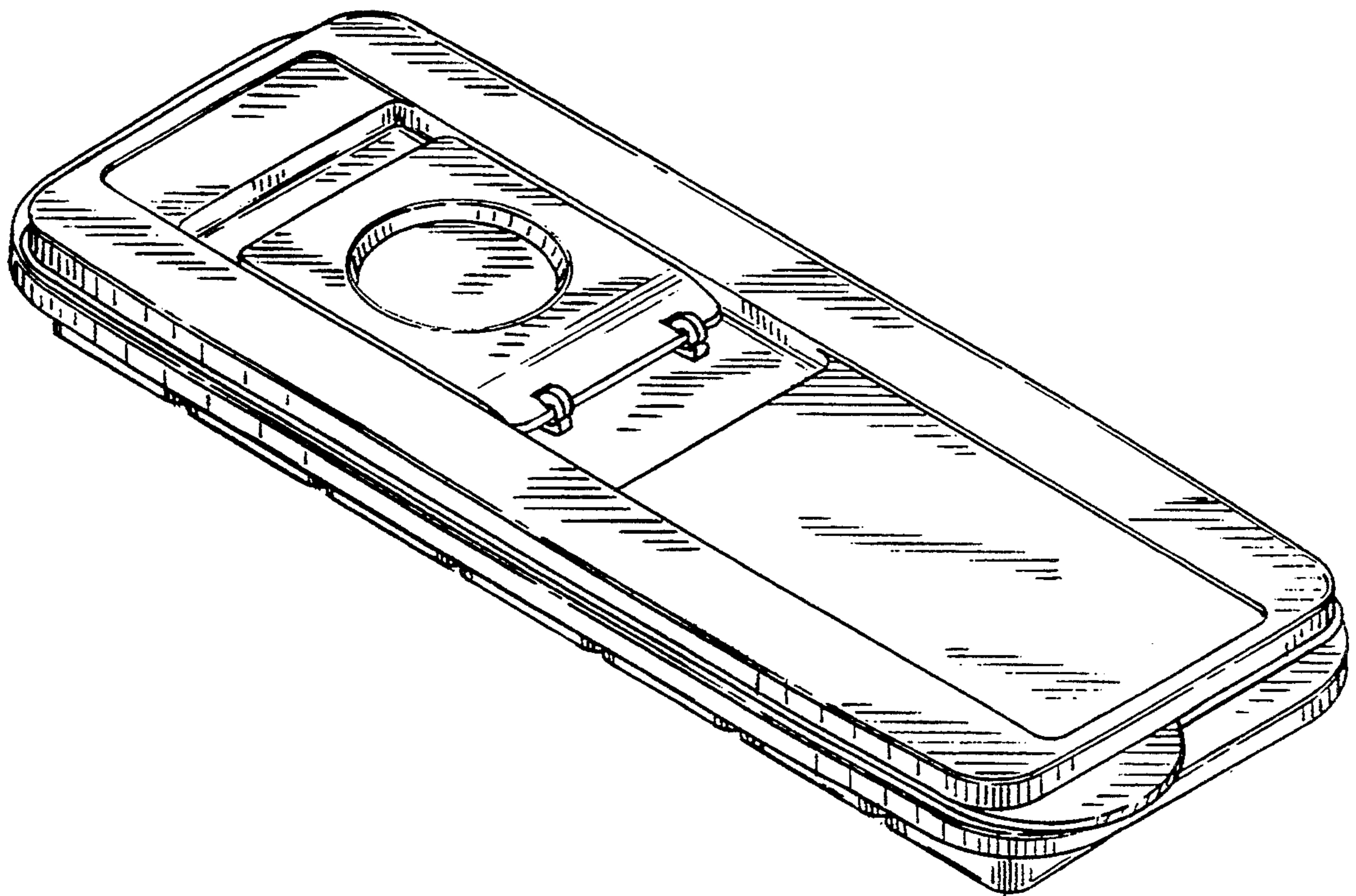
[56] References Cited

DESCRIPTION

U.S. PATENT DOCUMENTS

D. 245,008	7/1977	LaLonde	D15/90
D. 245,699	9/1977	Lewis	D15/90
D. 320,994	10/1991	Kafka et al.	D15/90
D. 342,264	12/1993	Pittman	D15/90
2,520,892	8/1950	Roethel	D15/90
2,587,852	3/1952	Jahn et al.	62/108.5
3,135,101	6/1964	Nigro	62/344
3,374,982	3/1968	Sallade	249/121
3,414,229	12/1968	Norberg	249/121
3,443,785	5/1969	Ewers	249/53
3,670,523	6/1972	Fogt et al.	249/126
3,776,504	12/1973	Wiley	249/121
3,844,525	10/1974	Parmett	D15/90
4,162,780	7/1979	Rankin	249/126

FIG. 1 is a top, front and side perspective view of an ice cube tray showing our new design;
 FIG. 2 is an exploded perspective view of the components thereof;
 FIG. 3 is a top plan view thereof;
 FIG. 4 is a bottom plan view thereof;
 FIG. 5 is a right side elevational view thereof;
 FIG. 6 is a left side elevational view thereof;
 FIG. 7 is a front elevational view thereof;
 FIG. 8 is a rear elevational view thereof;
 FIG. 9 is a cross-sectional view taken on line 9—9 in FIG. 3; and,
 FIG. 10 is a cross-section view taken on line 10—10 of FIG. 3.



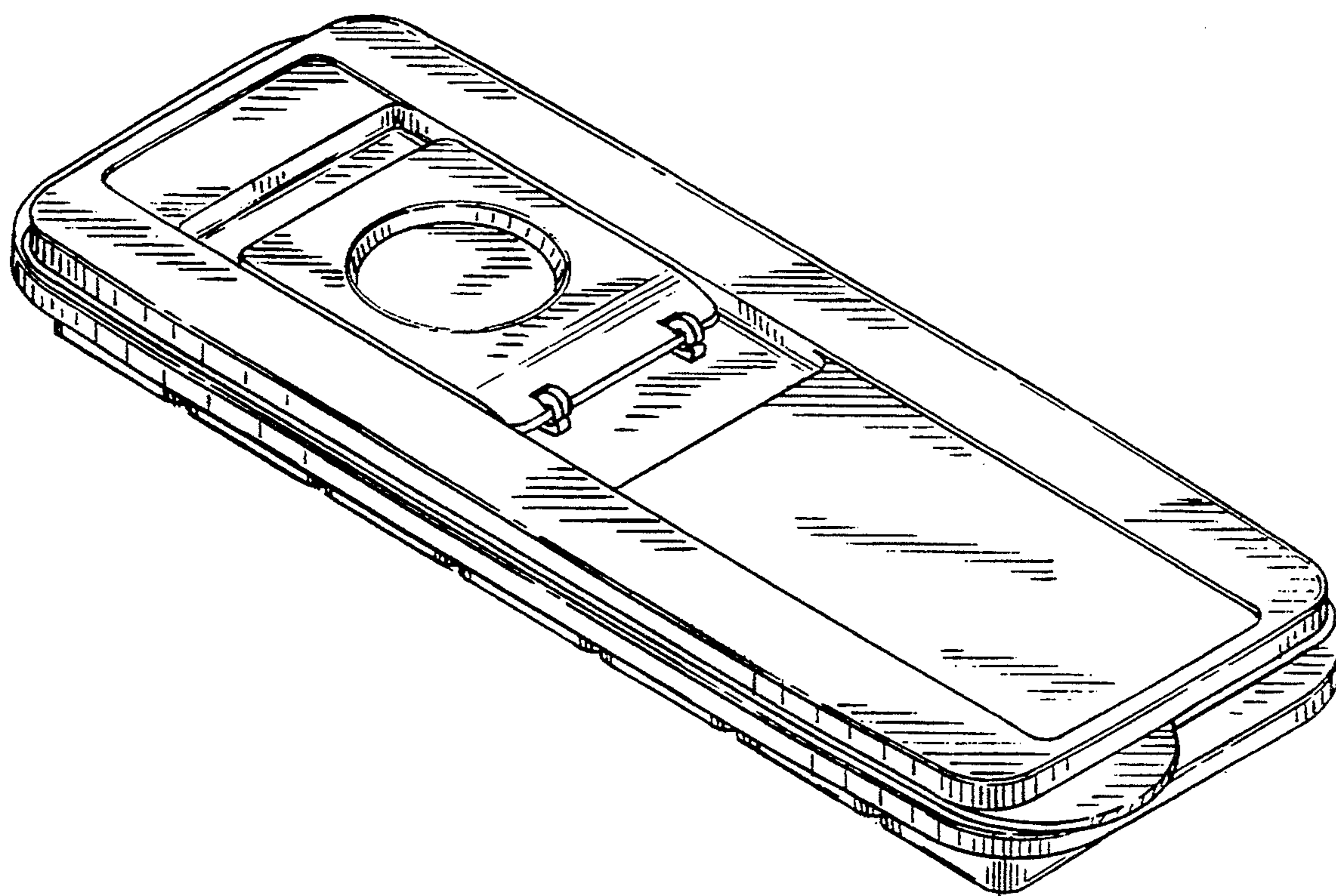


FIG. 1

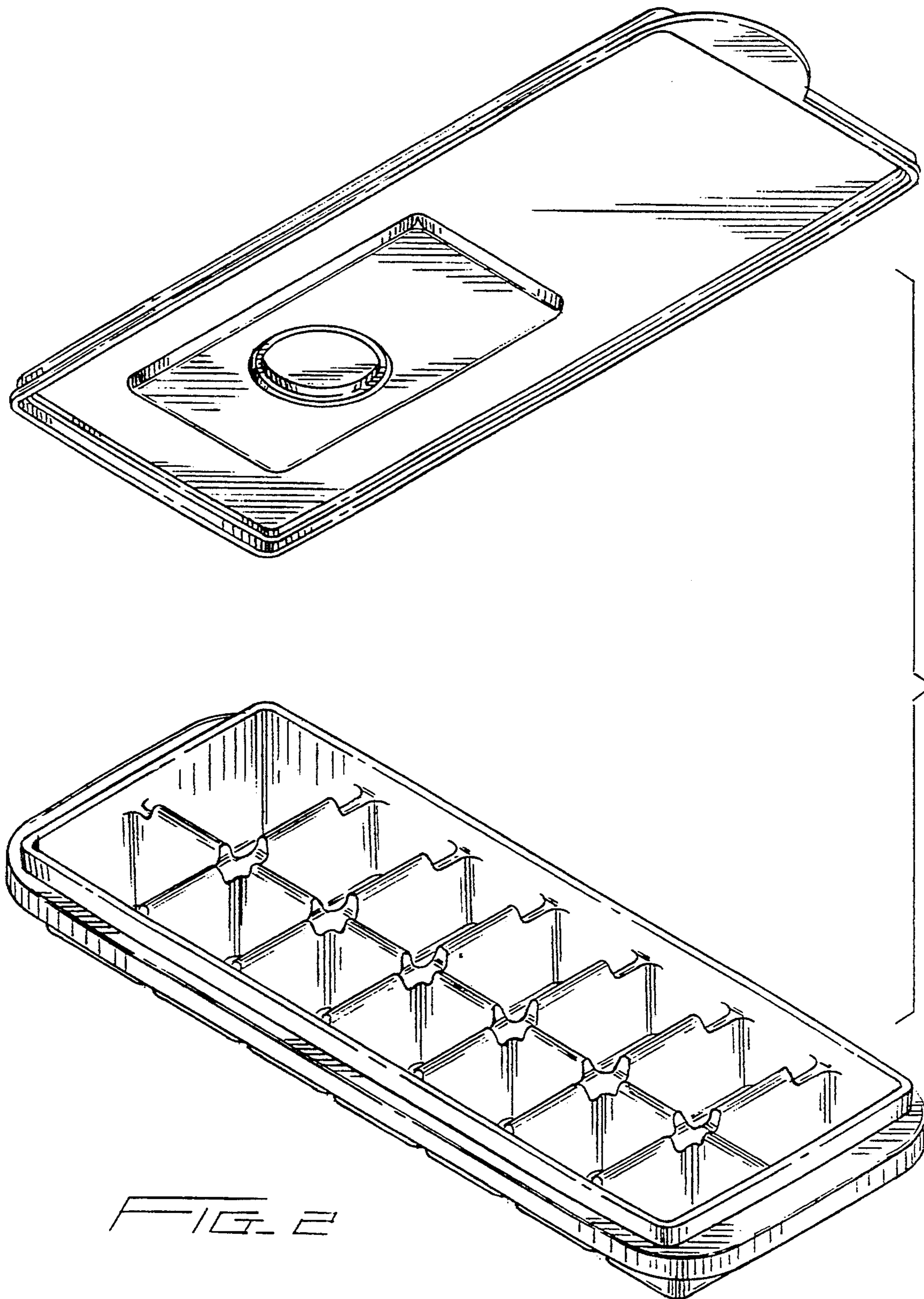


FIG. 2

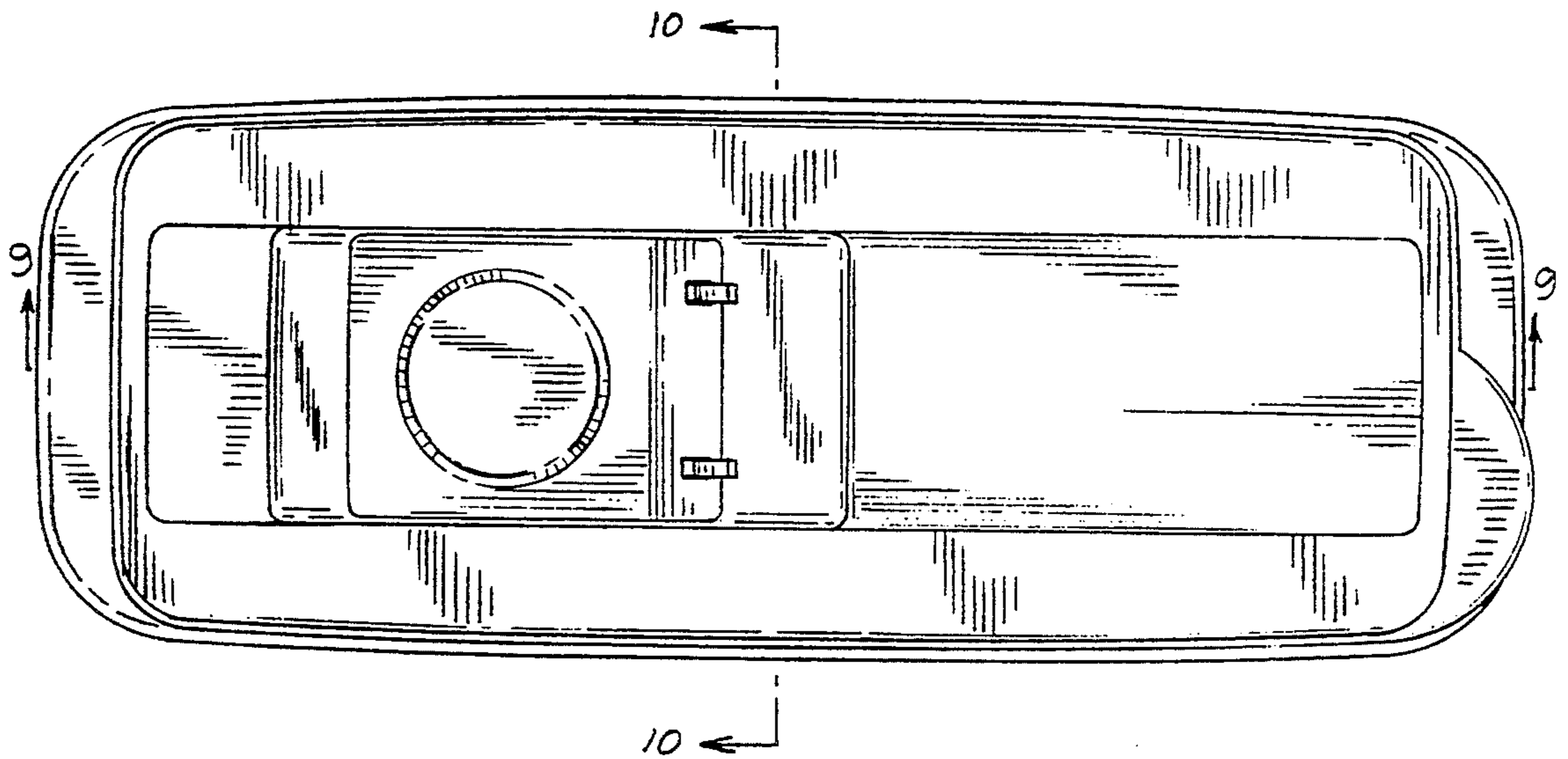


FIG. 3

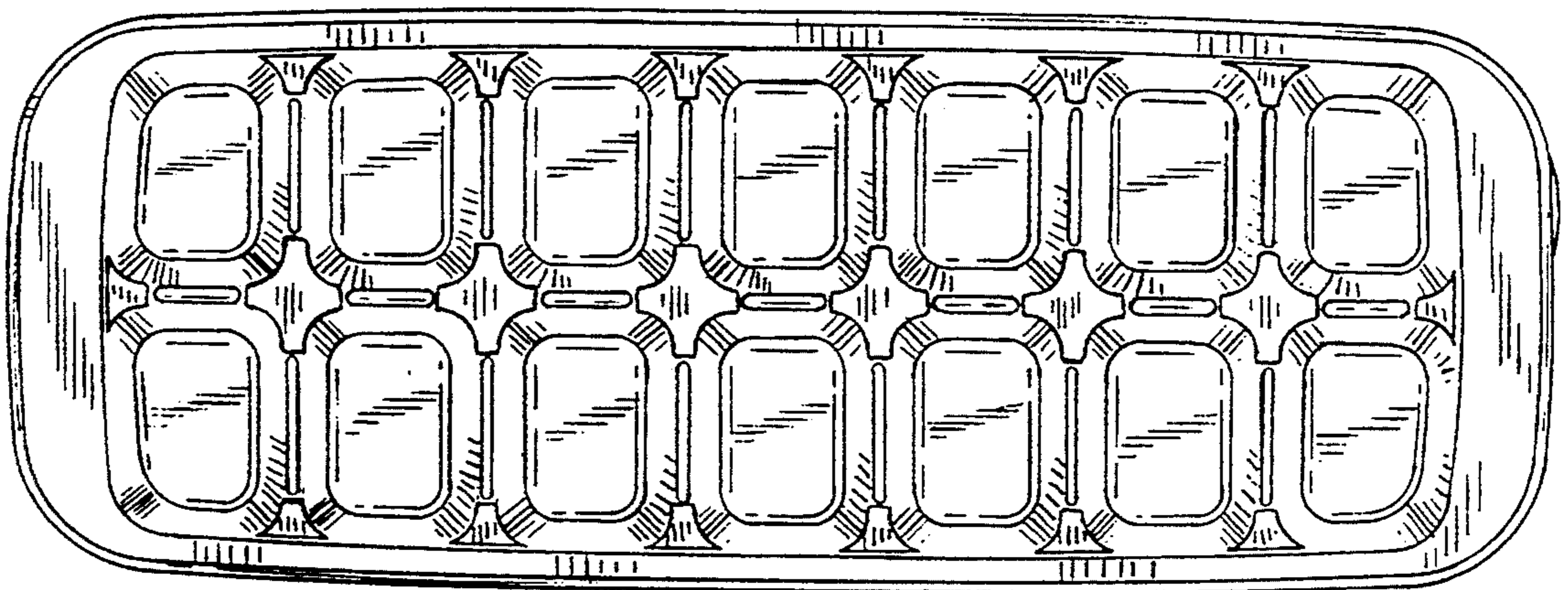


FIG. 4

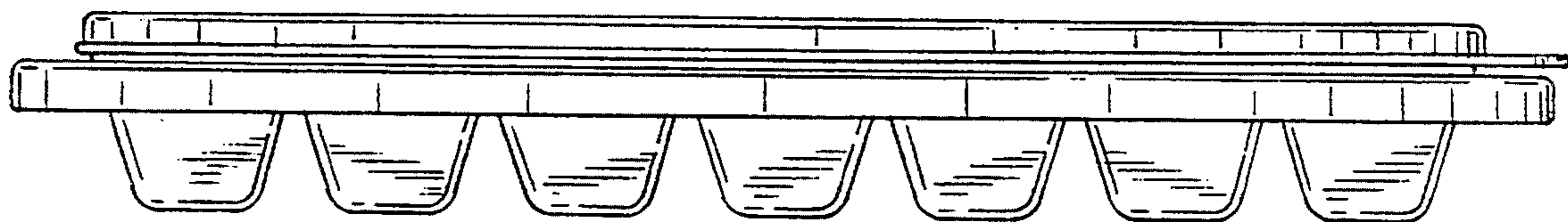


FIG. 5

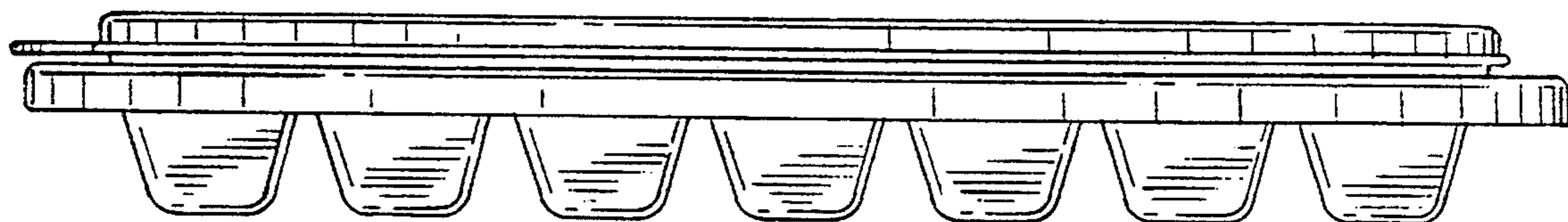


FIG. 6

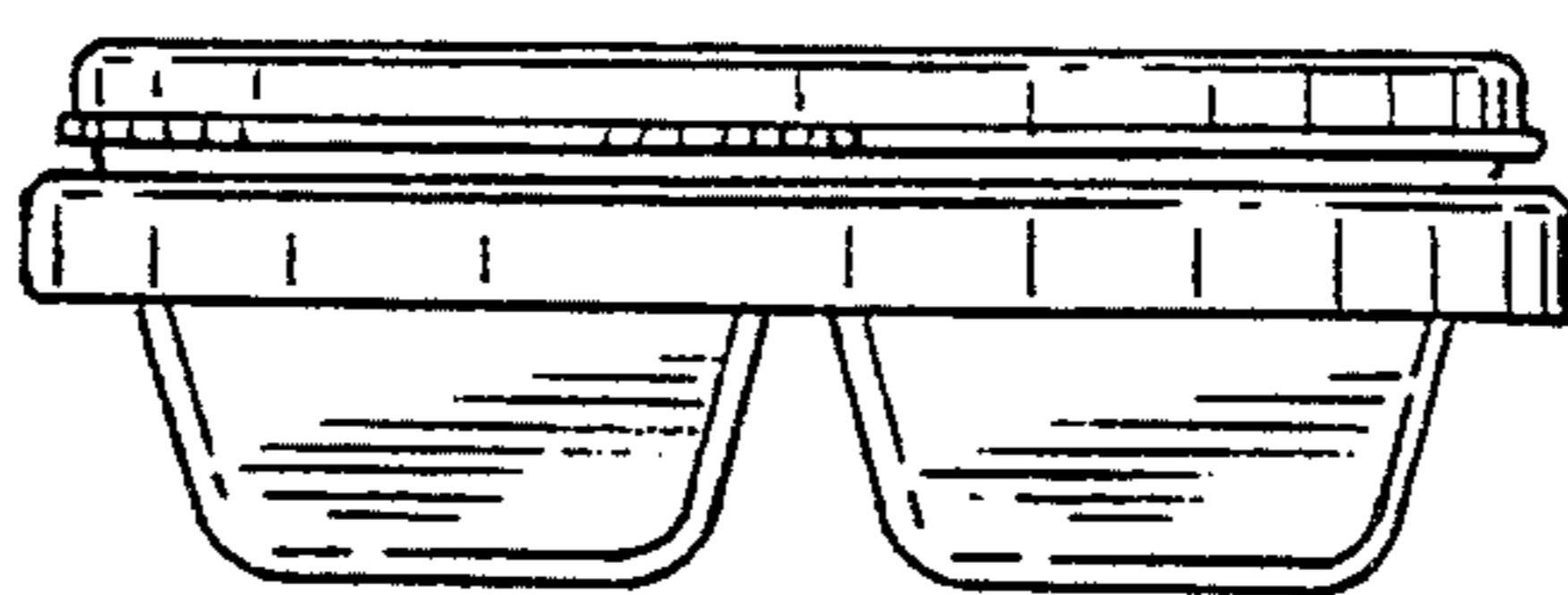


FIG. 7

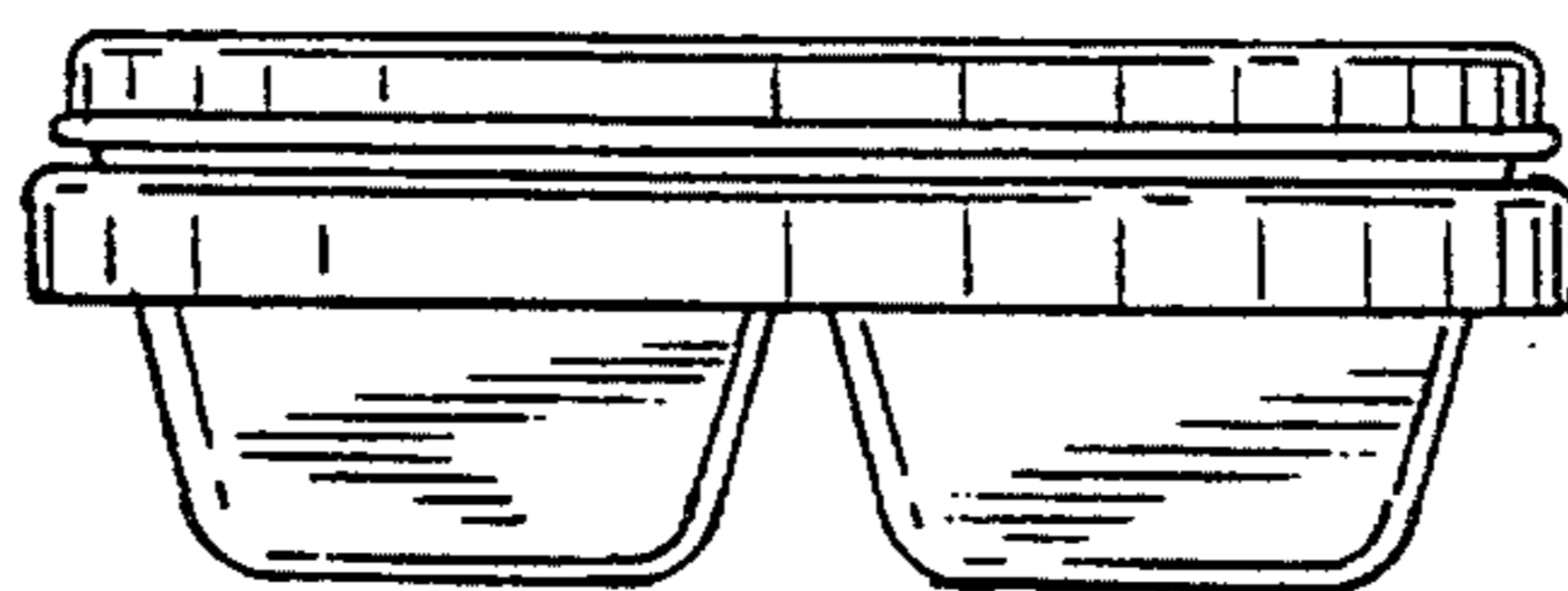


FIG. 8

FIG. 9

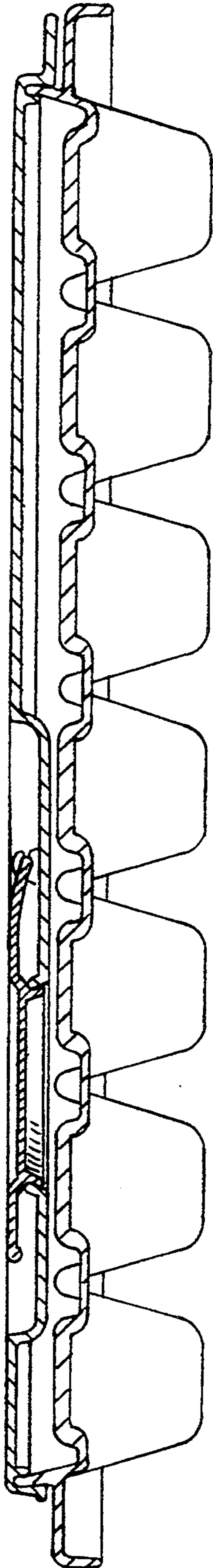


FIG. 10

