



US00D359965S

# United States Patent [19]

[11] Patent Number: **Des. 359,965**

**Nakajima et al.**

[45] Date of Patent: **\*\* Jul. 4, 1995**

[54] SEWING MACHINE

[56] References Cited

[75] Inventors: **Megumi Nakajima; Kiyomi Kawaguchi; Satoru Muramatsu; Takahiro Sakurai; Kazuhiko Ando**, all of Tokyo, Japan

### U.S. PATENT DOCUMENTS

D. 288,691	3/1987	Amemiya	.....	D15/69
D. 292,929	11/1987	Yoneda	.....	D15/70
D. 301,888	6/1989	Kuroki et al.	.....	D15/69
D. 321,353	11/1991	Eguchi et al.	.....	D15/69

[73] Assignee: **Janome Sewing Machine Co., Ltd.**, Tokyo, Japan

*Primary Examiner*—Theodore M. Shooman  
*Assistant Examiner*—Sandra Morris  
*Attorney, Agent, or Firm*—Lowe, Price, LeBlanc & Becker

[\*\*] Term: **14 Years**

[57] CLAIM

The ornamental design for the sewing machine, as shown.

[21] Appl. No.: **28,588**

### DESCRIPTION

[22] Filed: **Sep. 23, 1994**

FIG. 1 is a perspective view of the sewing machine embodying our new design;  
FIG. 2 is a front view thereof;  
FIG. 3 is a rear view thereof;  
FIG. 4 is a top plan view thereof;  
FIG. 5 is a bottom view thereof;  
FIG. 6 is a left side view thereof; and,  
FIG. 7 is a right side view thereof.

### [30] Foreign Application Priority Data

Apr. 6, 1994	[JP]	Japan	.....	6-9548
[52]	U.S. Cl.	.....		<b>D15/69</b>
[58]	Field of Search	.....		D15/66-72; 112/217.1-217.4, 258-262.1

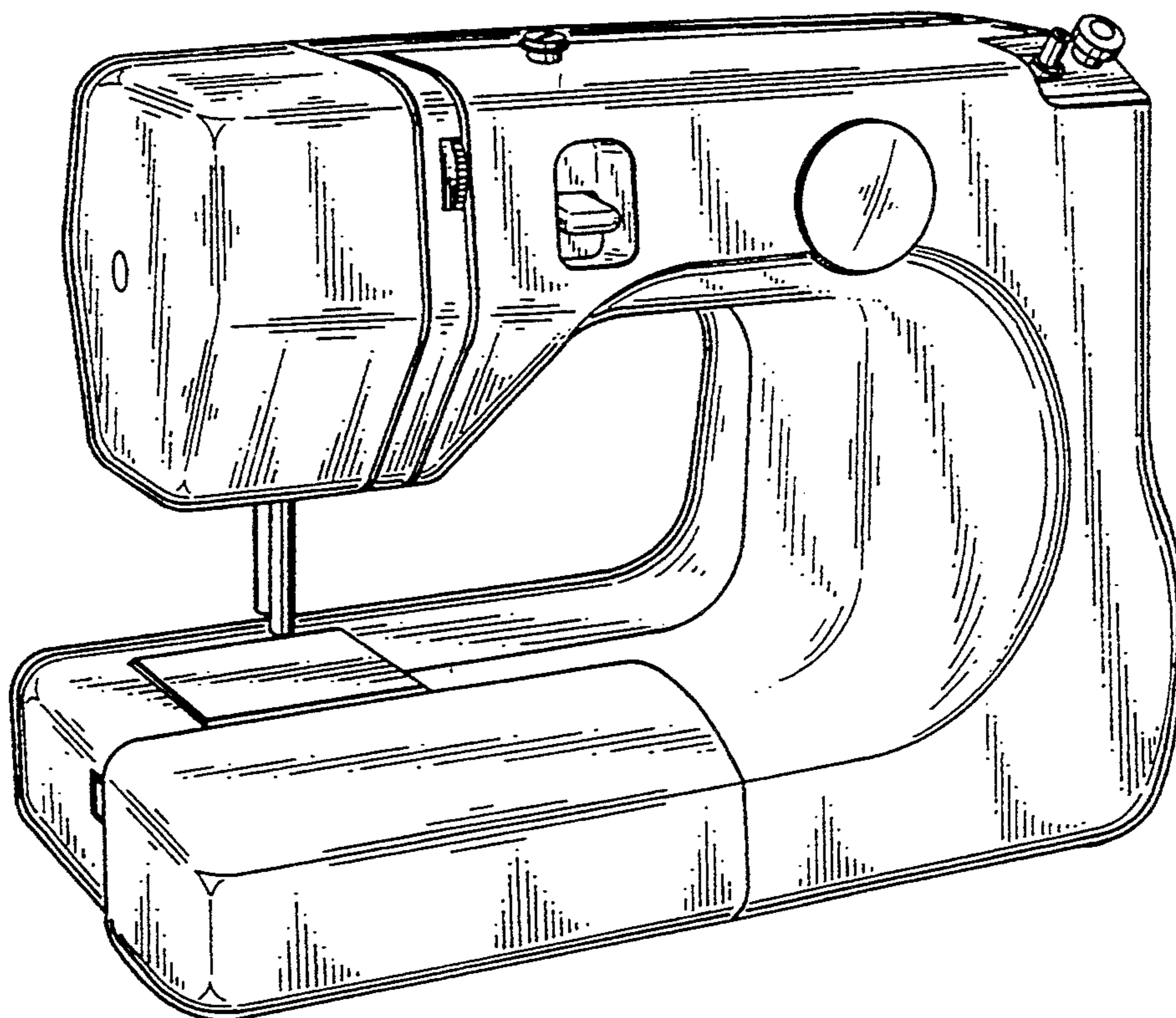


FIG. 1

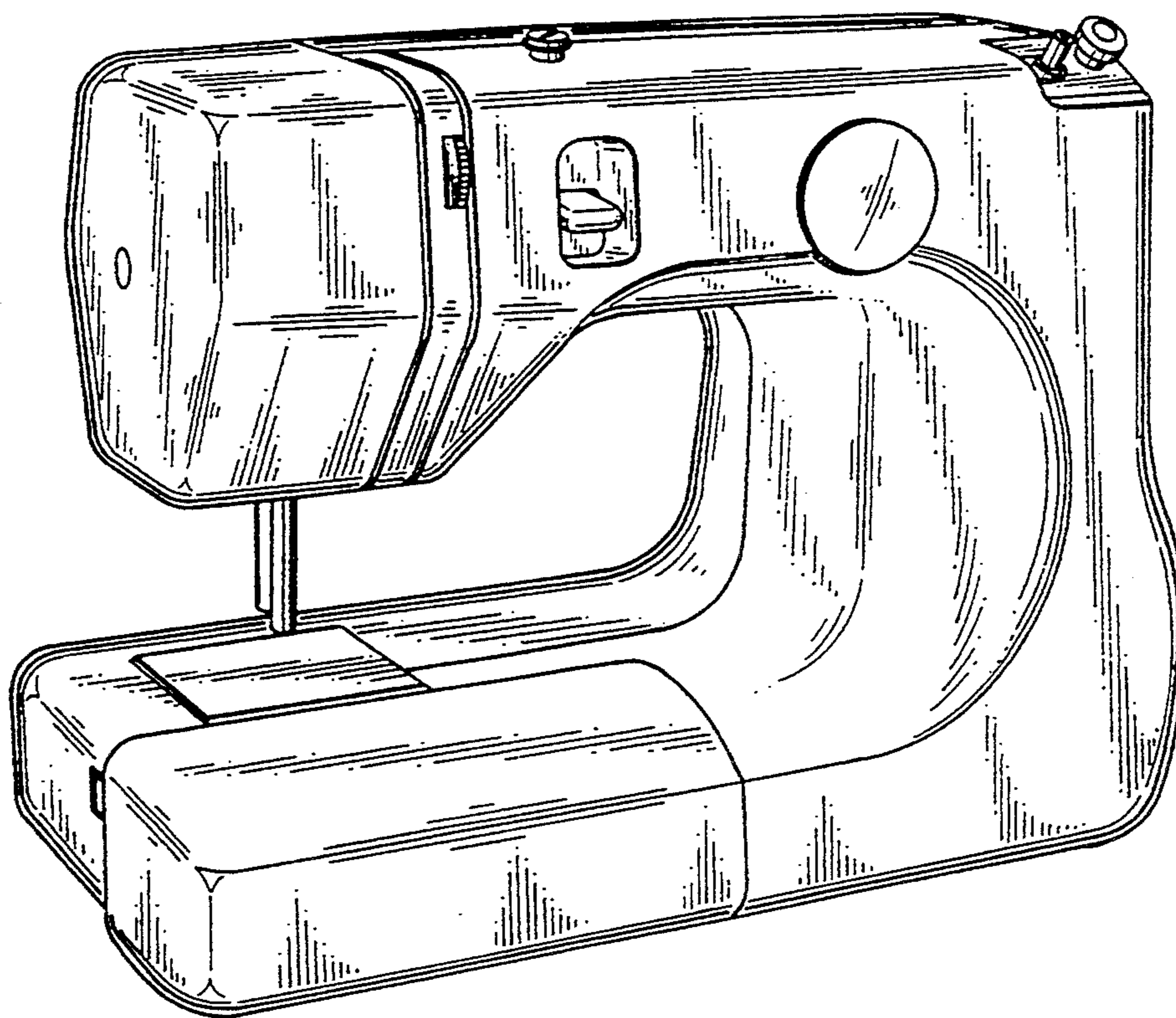


FIG. 2

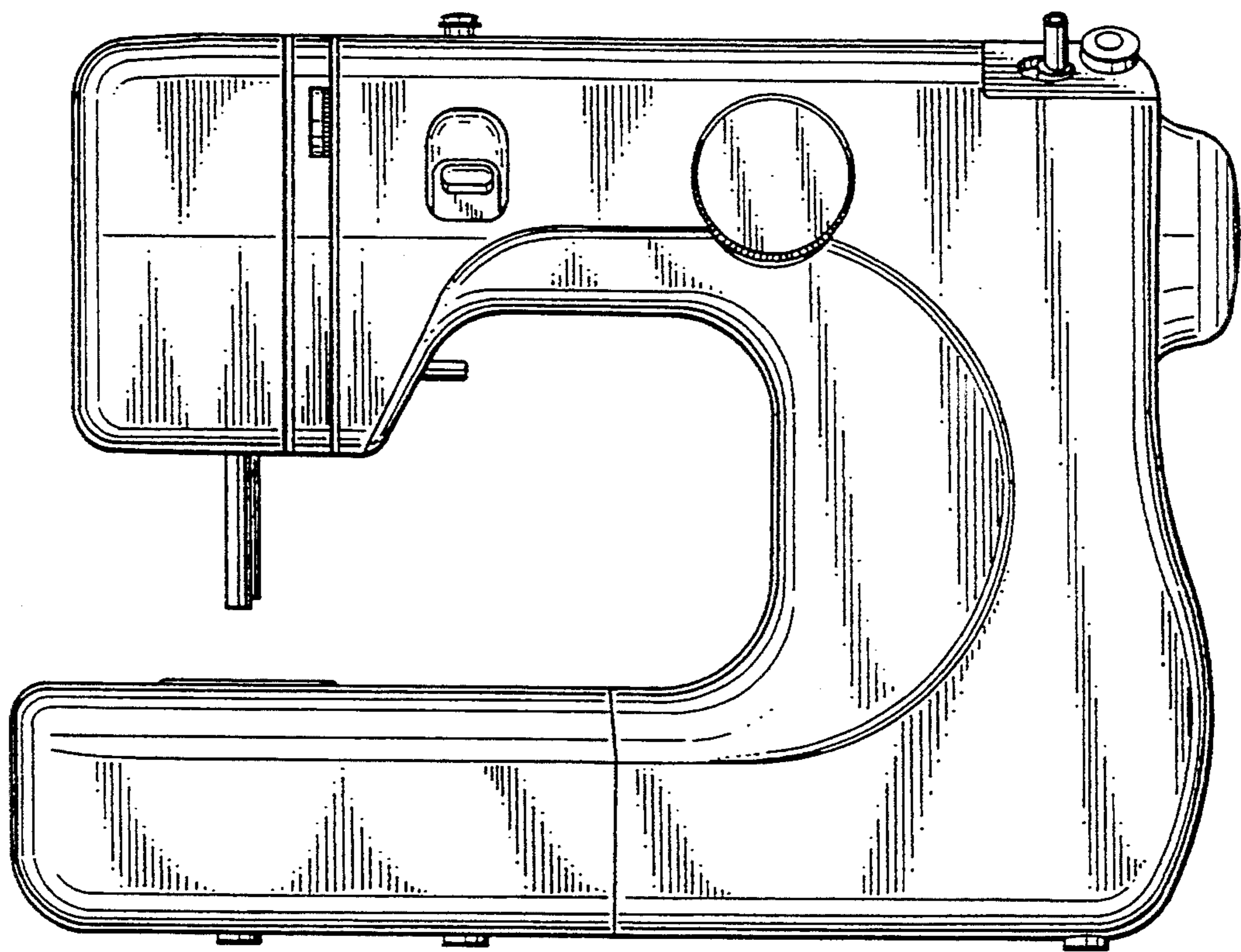


FIG. 3

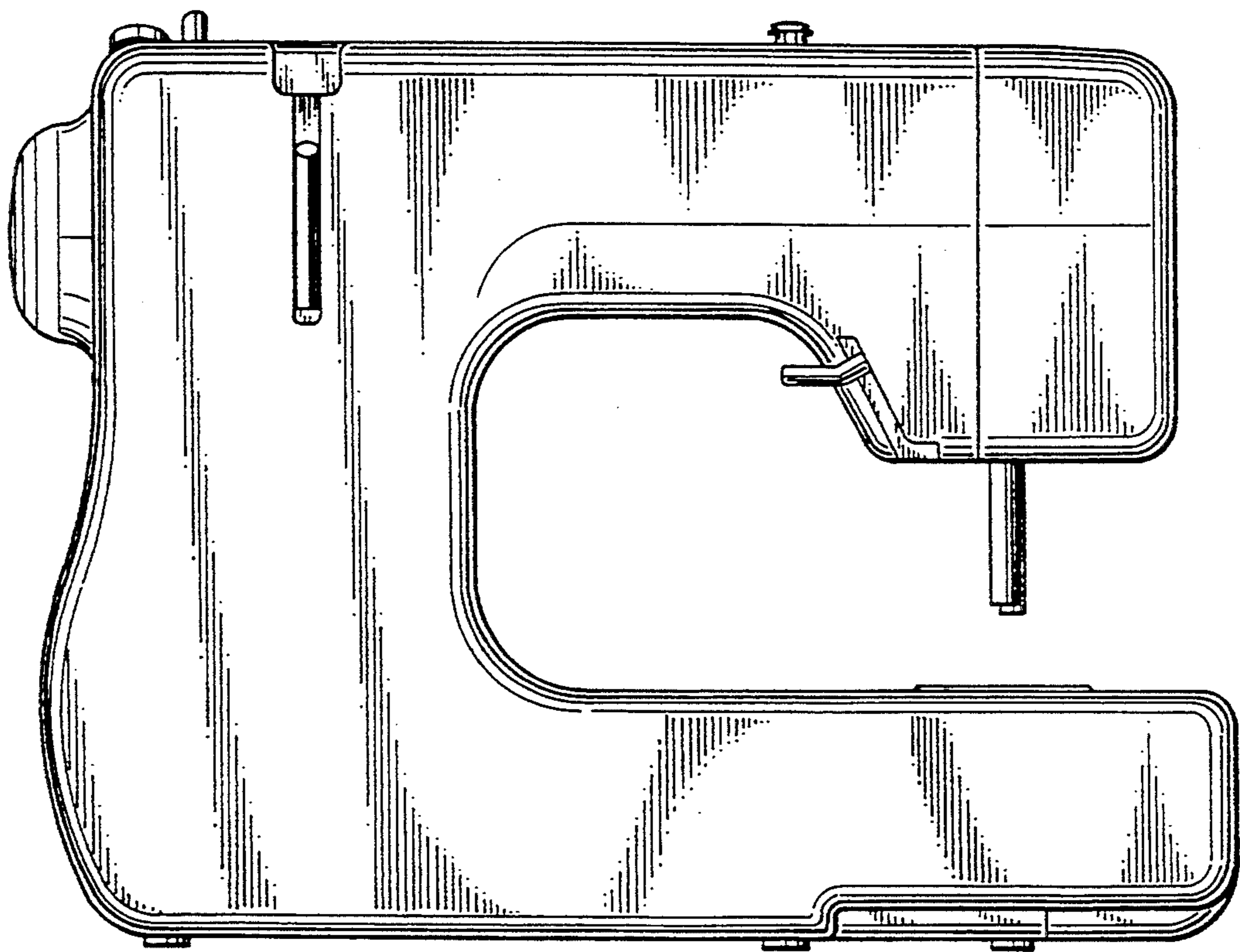


FIG. 4

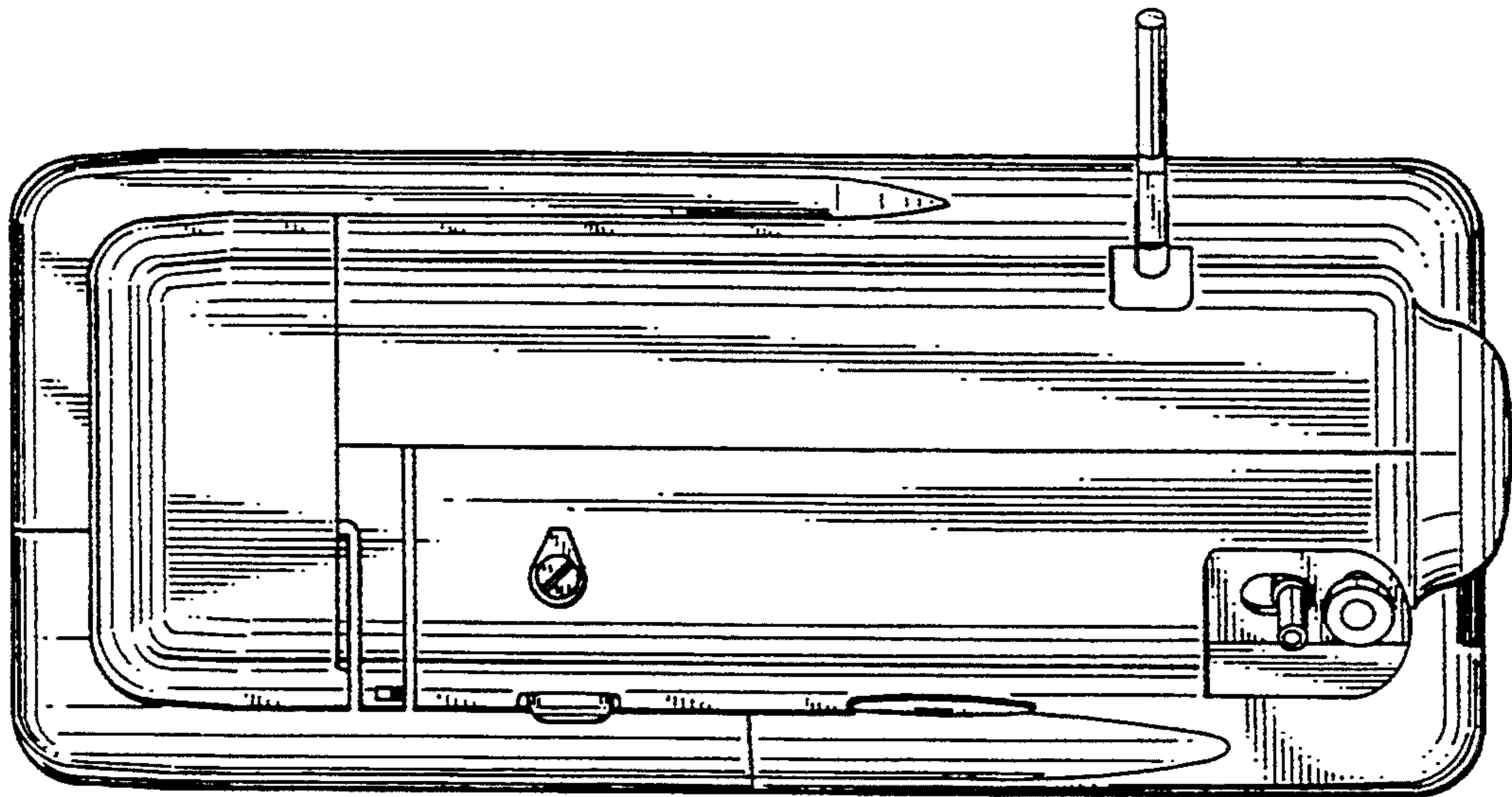


FIG. 5

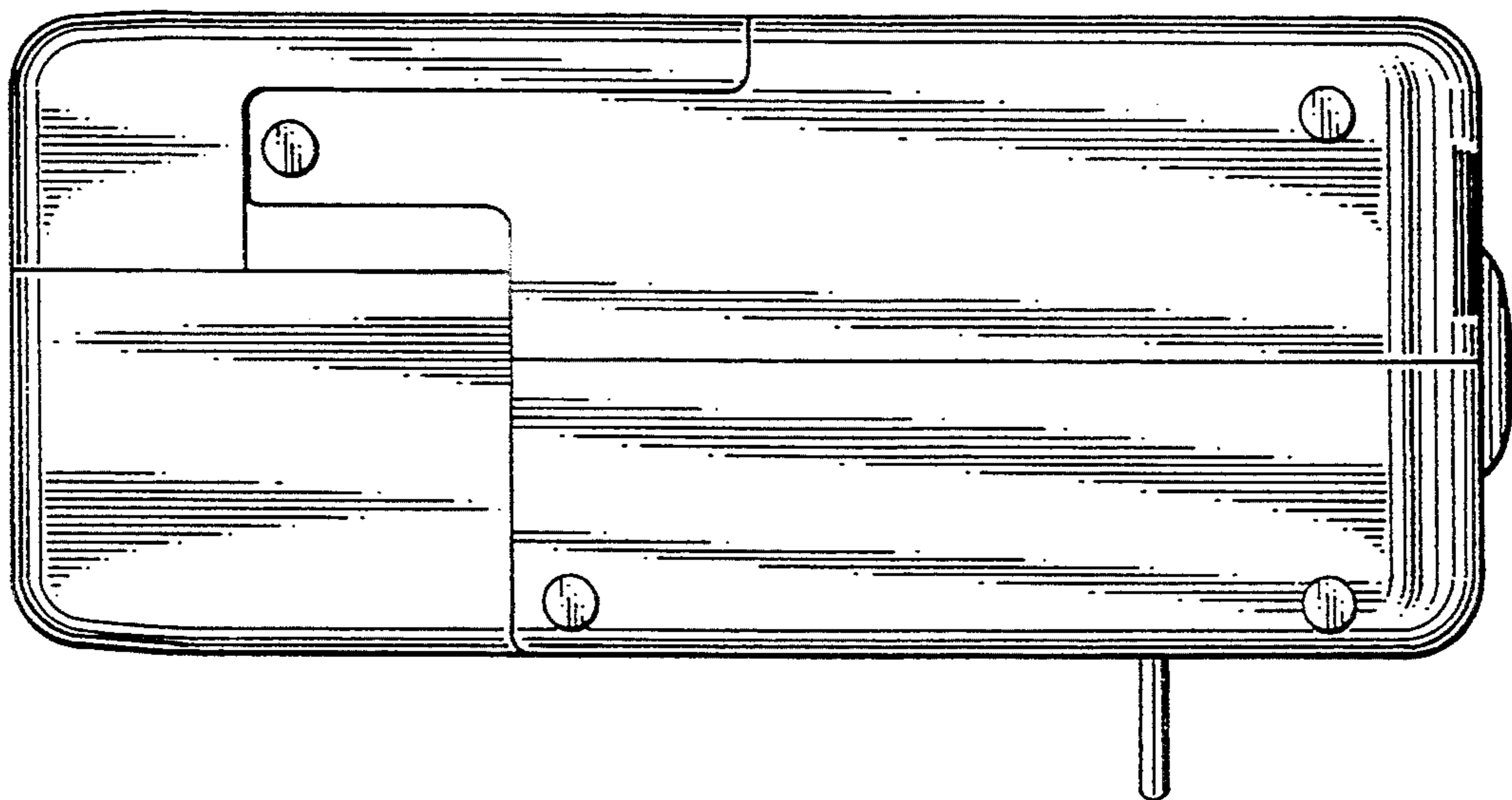


FIG. 6

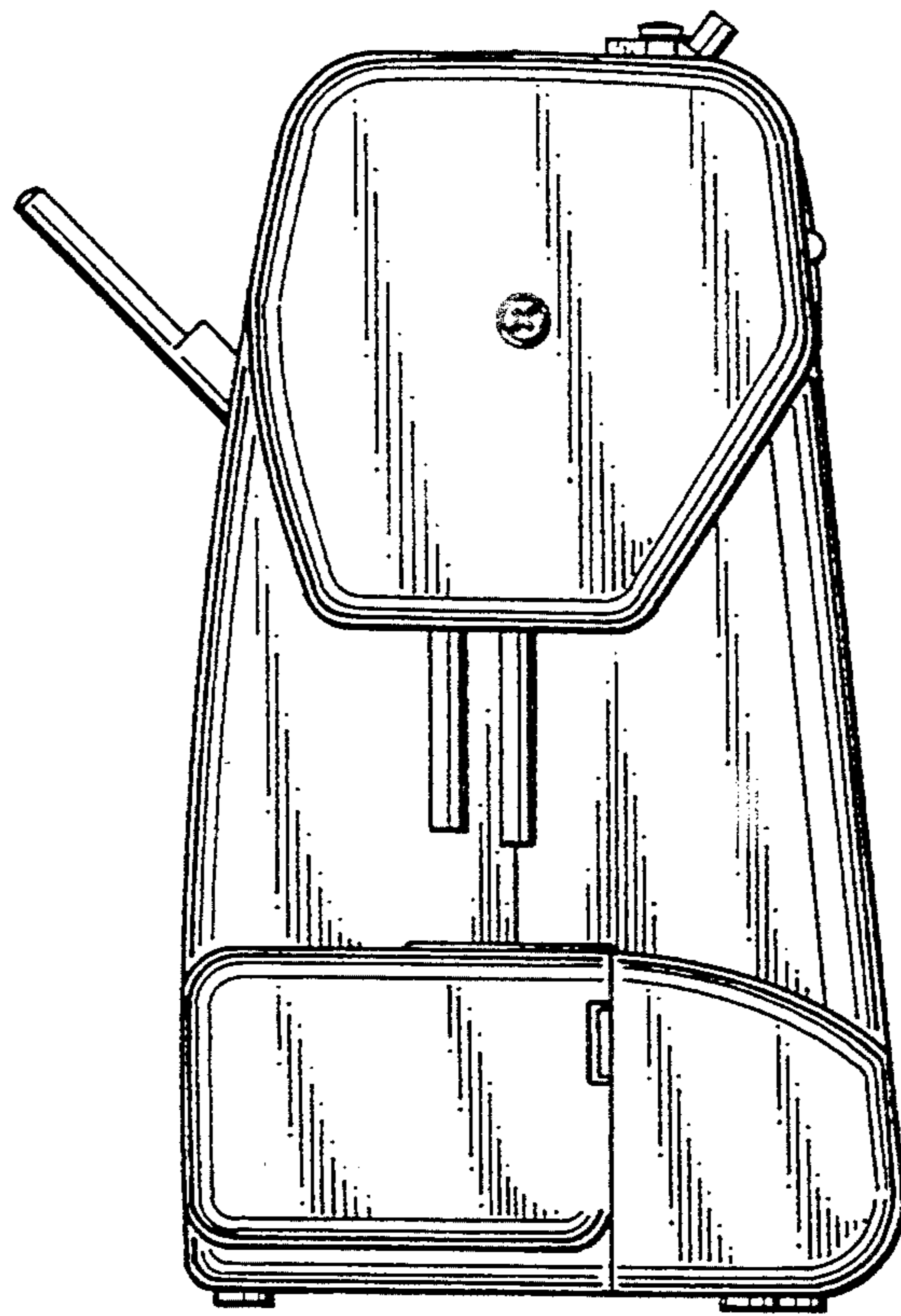


FIG. 7

