



US00D359959S

United States Patent [19]

[11] Patent Number: **Des. 359,959**

Scianna, Sr. et al.

[45] Date of Patent: **** Jul. 4, 1995**

[54] REMOTE KEYPAD DIALER

[75] Inventors: **Anthony Scianna, Sr.**, Morton Grove; **Thomas E. Paulick**, Palatine; **James S. Cleary**, Weschester, all of Ill.

[73] Assignee: **Motorola, Inc.**, Schaumburg, Ill.

[**] Term: **14 Years**

[21] Appl. No.: **20,703**

[22] Filed: **Mar. 31, 1994**

[52] U.S. Cl. **D14/247; D14/218**

[58] Field of Search **D14/137, 138, 244, 245, D14/247, 147, 148, 218, 107, 114, 225; D18/7; D13/164, 168, 162; 455/95; 379/369, 370, 58-61, 419, 420, 428, 440, 433, 456, 440-442**

[56] References Cited

U.S. PATENT DOCUMENTS

- D. 248,231 6/1978 Goldman et al. D14/225
- D. 265,730 8/1982 Fukushima D14/247
- D. 266,845 11/1982 Fukushima et al. D14/247
- D. 301,340 5/1989 Pitkonen D14/247 X

- D. 310,095 8/1990 Noguchi D18/7
- D. 311,541 10/1990 Carre D14/147 X
- D. 313,398 1/1991 Gilchrist D13/164 X
- D. 337,602 7/1993 Chen D18/7
- D. 338,011 8/1993 Carter et al. D14/218
- D. 340,041 10/1993 Kawashima et al. D14/114
- D. 348,054 6/1994 Minasian et al. D14/107

Primary Examiner—Jeffrey Asch
Attorney, Agent, or Firm—John J. King

[57] CLAIM

The ornamental design for a remote keypad dialer, as shown and described.

DESCRIPTION

FIG. 1 is a top, right, front, perspective view of a remote keypad dialer;
FIG. 2 is a left elevation view thereof;
FIG. 3 is a rear elevation view thereof;
FIG. 4 is a top plan view thereof; and,
FIG. 5 is a bottom plan view.

The broken lines shown throughout the views are for illustrative purpose only and form not part of the claimed design.

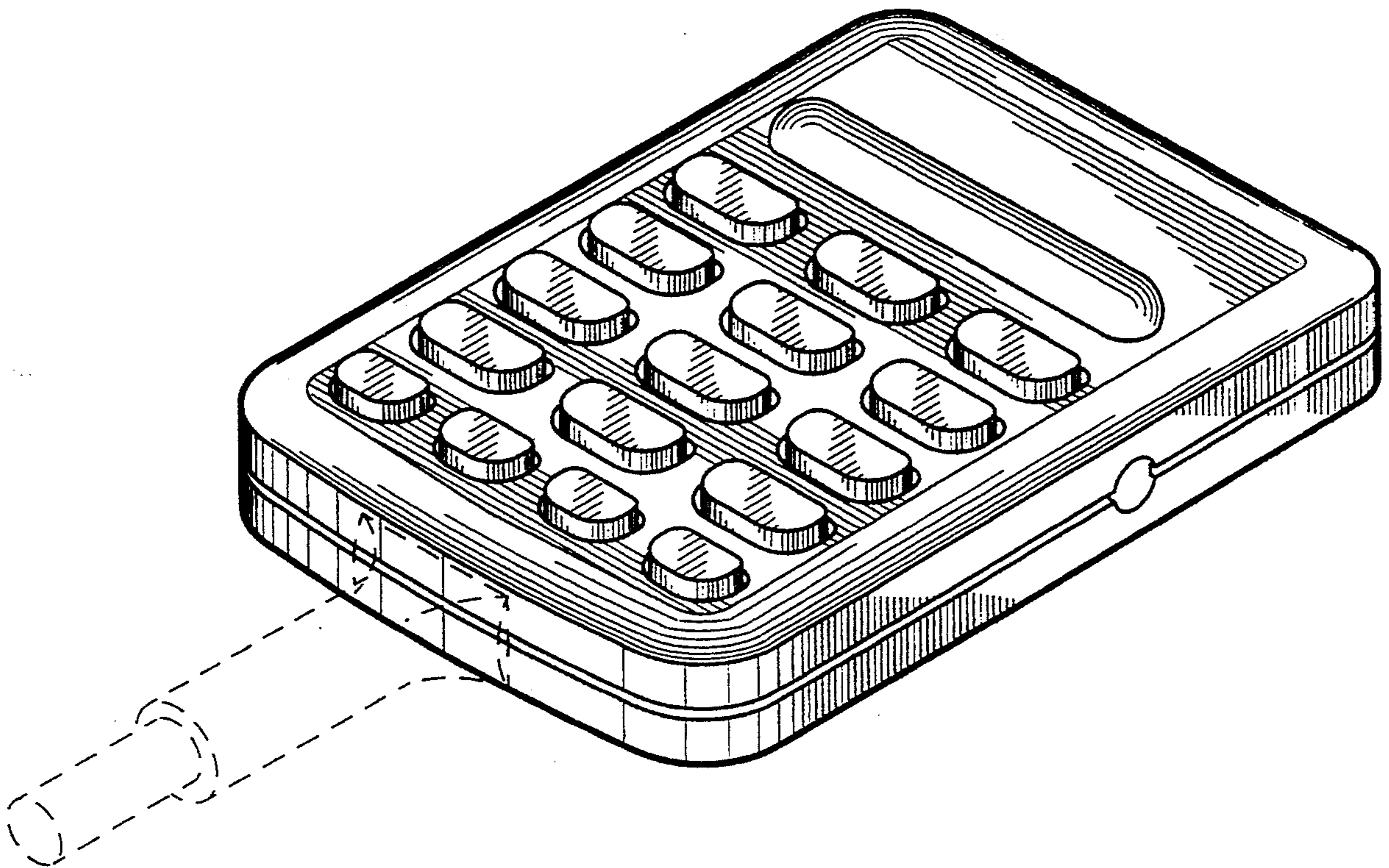


FIG. 1

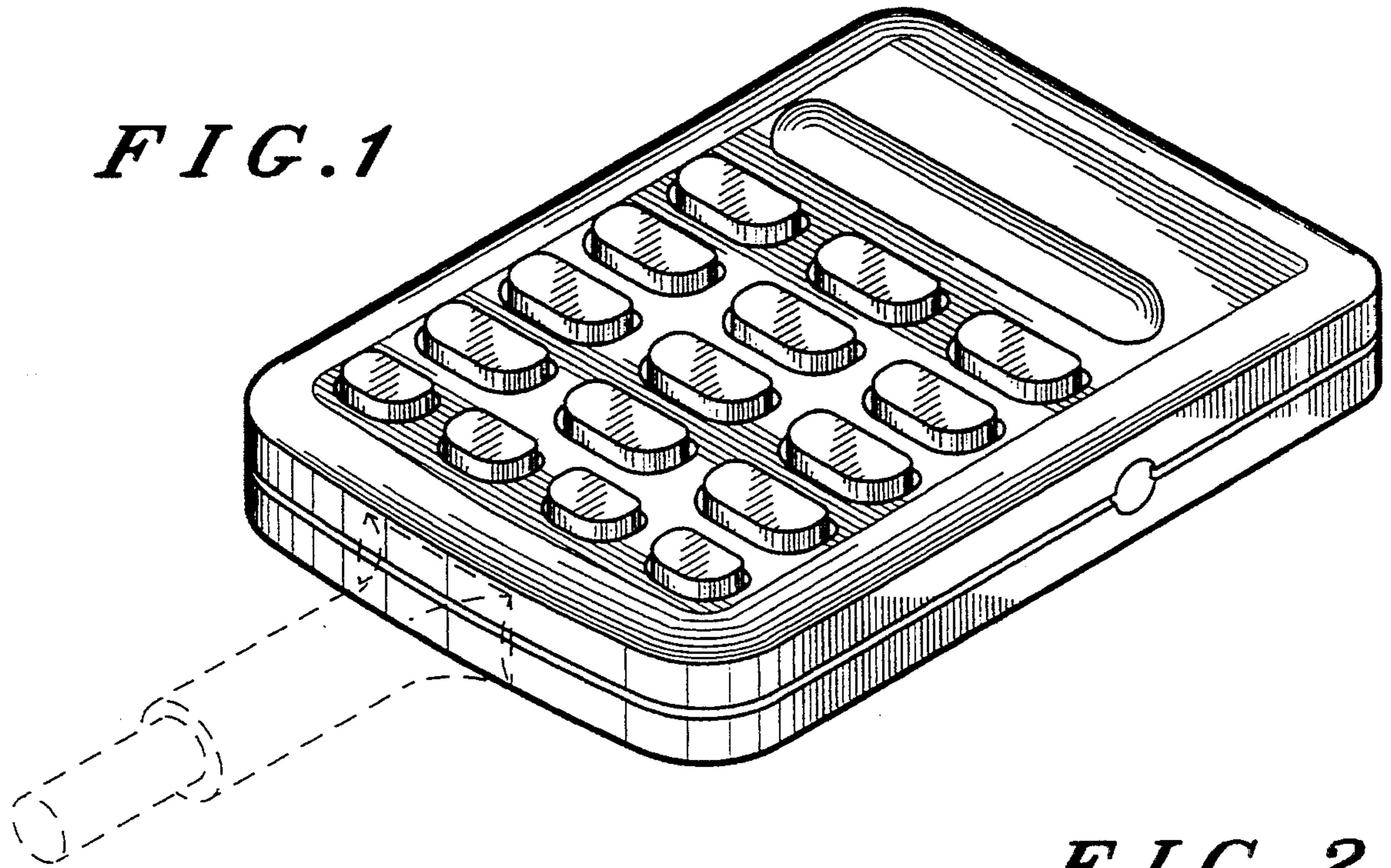


FIG. 2

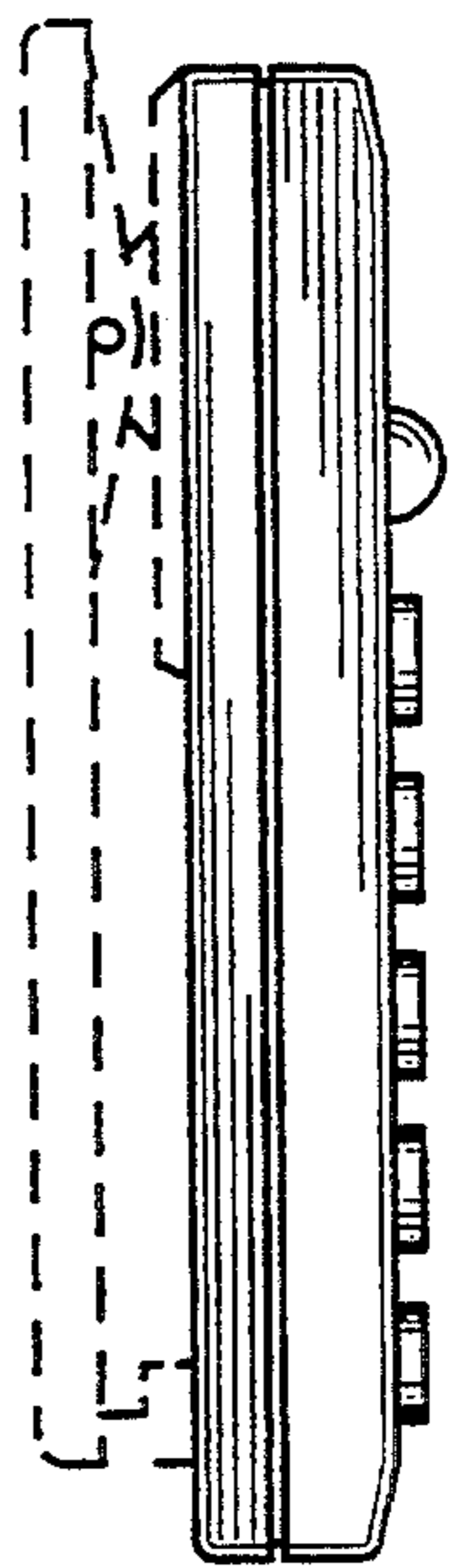


FIG. 3

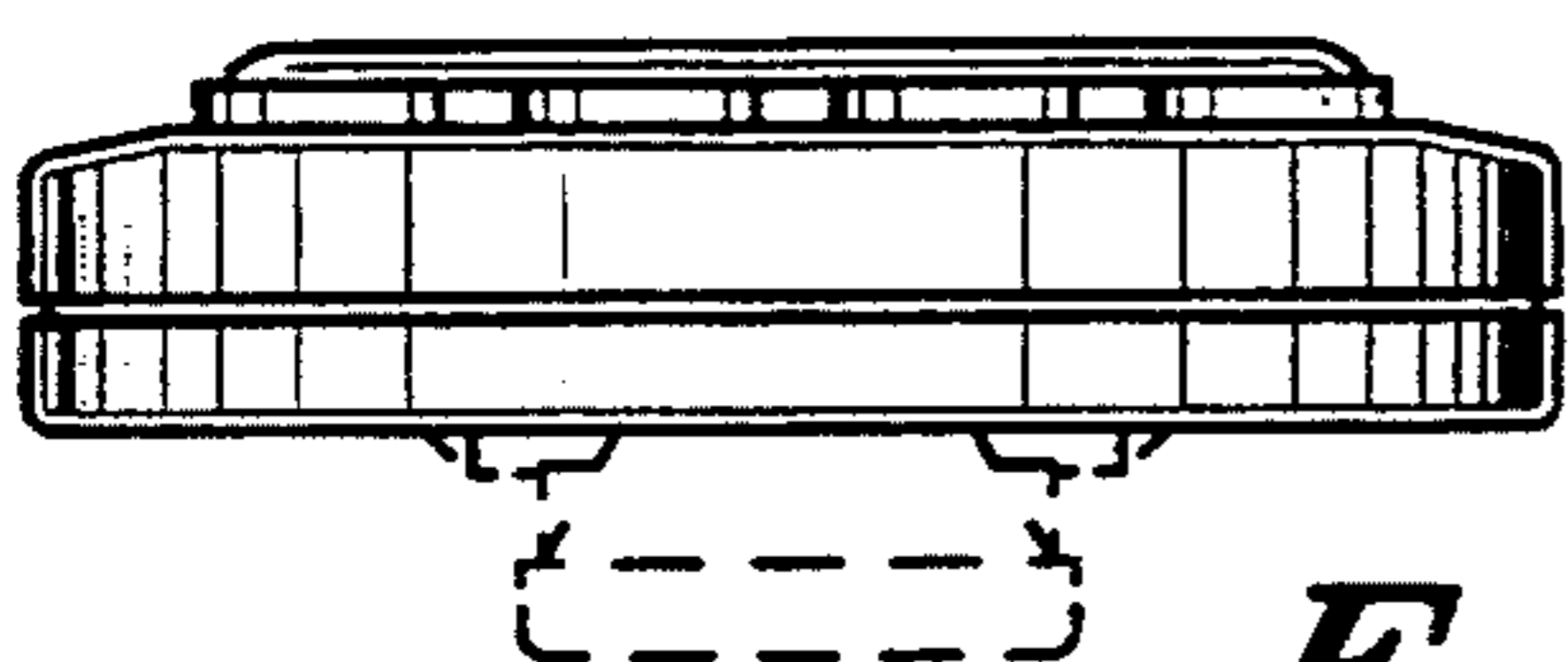
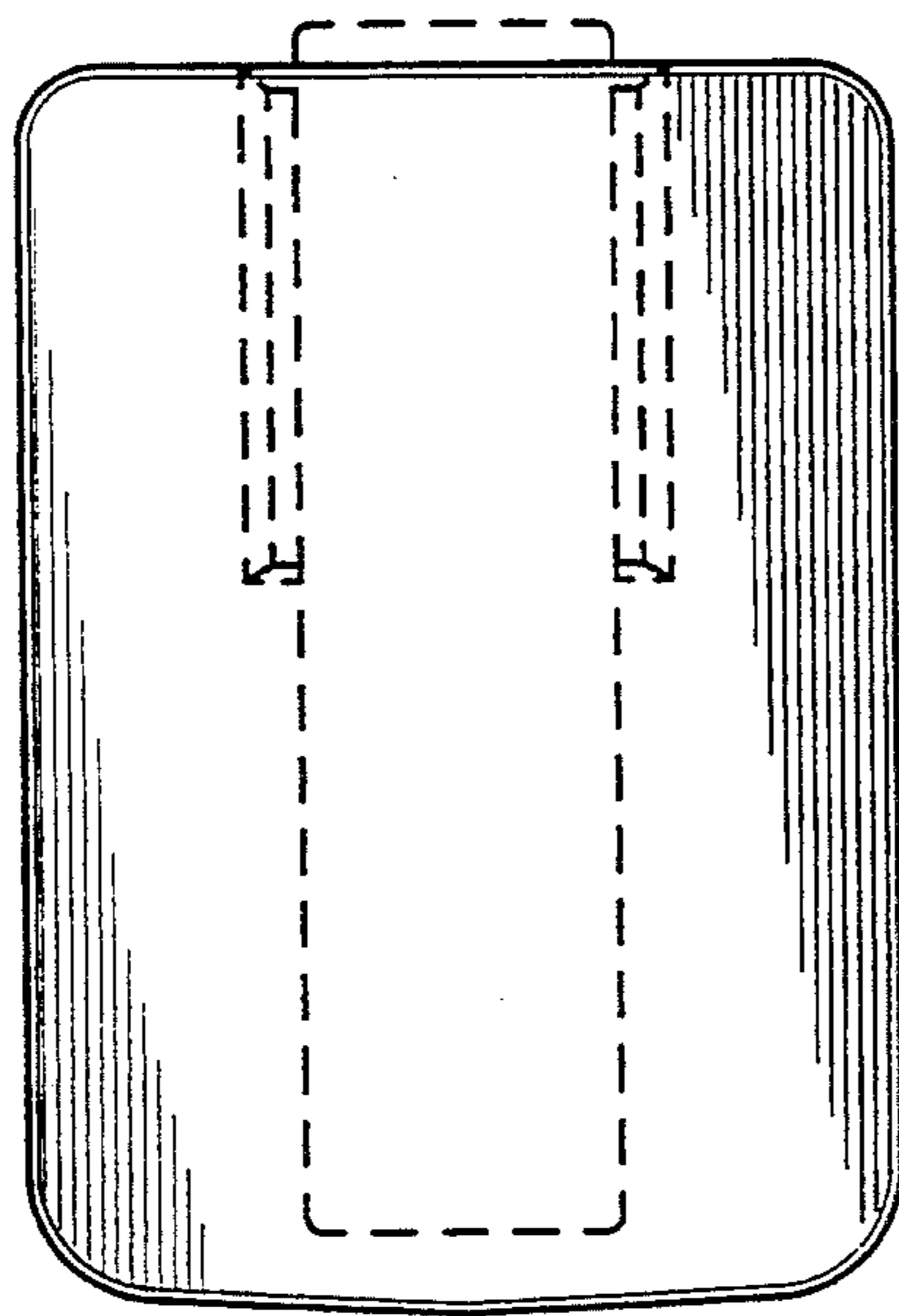


FIG. 4

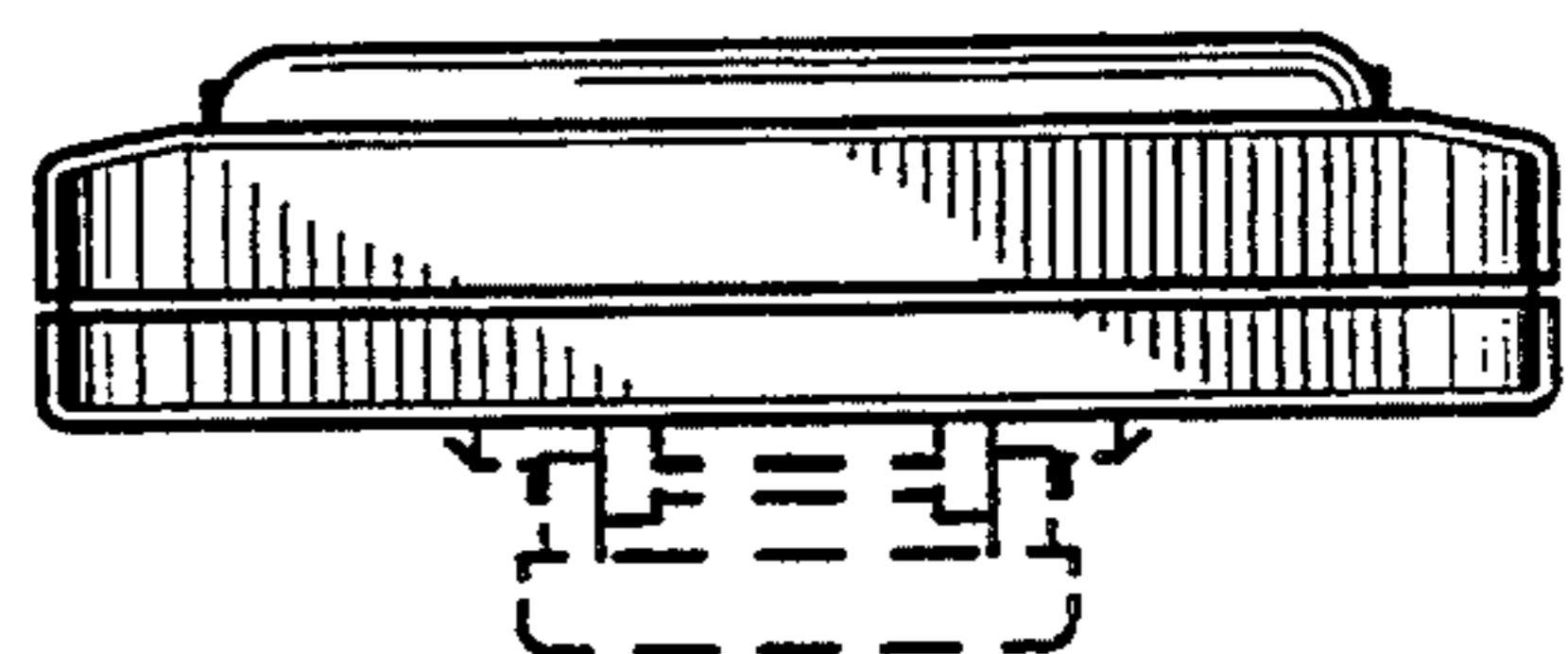


FIG. 5