



US00D359958S

United States Patent [19]

[11] Patent Number: **Des. 359,958**

Frodelius

[45] Date of Patent: **** Jul. 4, 1995**

[54] **BASE REFLEX CONE DEVICE FOR BASE REFLEX CABINETS**

2,873,812 2/1959 Avedon 181/159
2,957,054 10/1960 Levy et al. 181/159 X
4,811,816 3/1989 Len 181/157 X

[76] Inventor: **Jan-Erik Frodelius**, P1 7523 Eggvena, S-524 91 Herrljunga, Sweden

FOREIGN PATENT DOCUMENTS

2087688 10/1981 United Kingdom 181/157 X

[**] Term: **14 Years**

Primary Examiner—Janice E. Seeger
Attorney, Agent, or Firm—Dvorak and Traub

[21] Appl. No.: **848**

[22] Filed: **Oct. 26, 1992**

[57] CLAIM

[52] U.S. Cl. **D14/208; D14/221**

The ornamental design for base reflex cone device for base reflex cabinets, as shown and described.

[58] **Field of Search** D6/480, 495, 486; D14/204, 221, 222, 224, 208; 181/152, 157, 159, 173

DESCRIPTION

[56] References Cited

U.S. PATENT DOCUMENTS

D. 68,218 9/1925 Rubes D14/208
D. 101,684 10/1936 Sweeny D14/208
677,476 7/1901 Short 181/157
1,711,258 4/1929 Bennett 181/173 X
1,767,679 6/1930 Hutchison 181/159

FIG. 1 is a perspective view of a base reflex cone device for base reflex cabinets;
FIG. 2 is a perspective view from the opposite side of the cone device of FIG. 1;
FIG. 3 is a side view of the cone device;
FIG. 4 is a bottom view of the cone device from the inner side; and,
FIG. 5 is a cross-sectional view of the cone device.

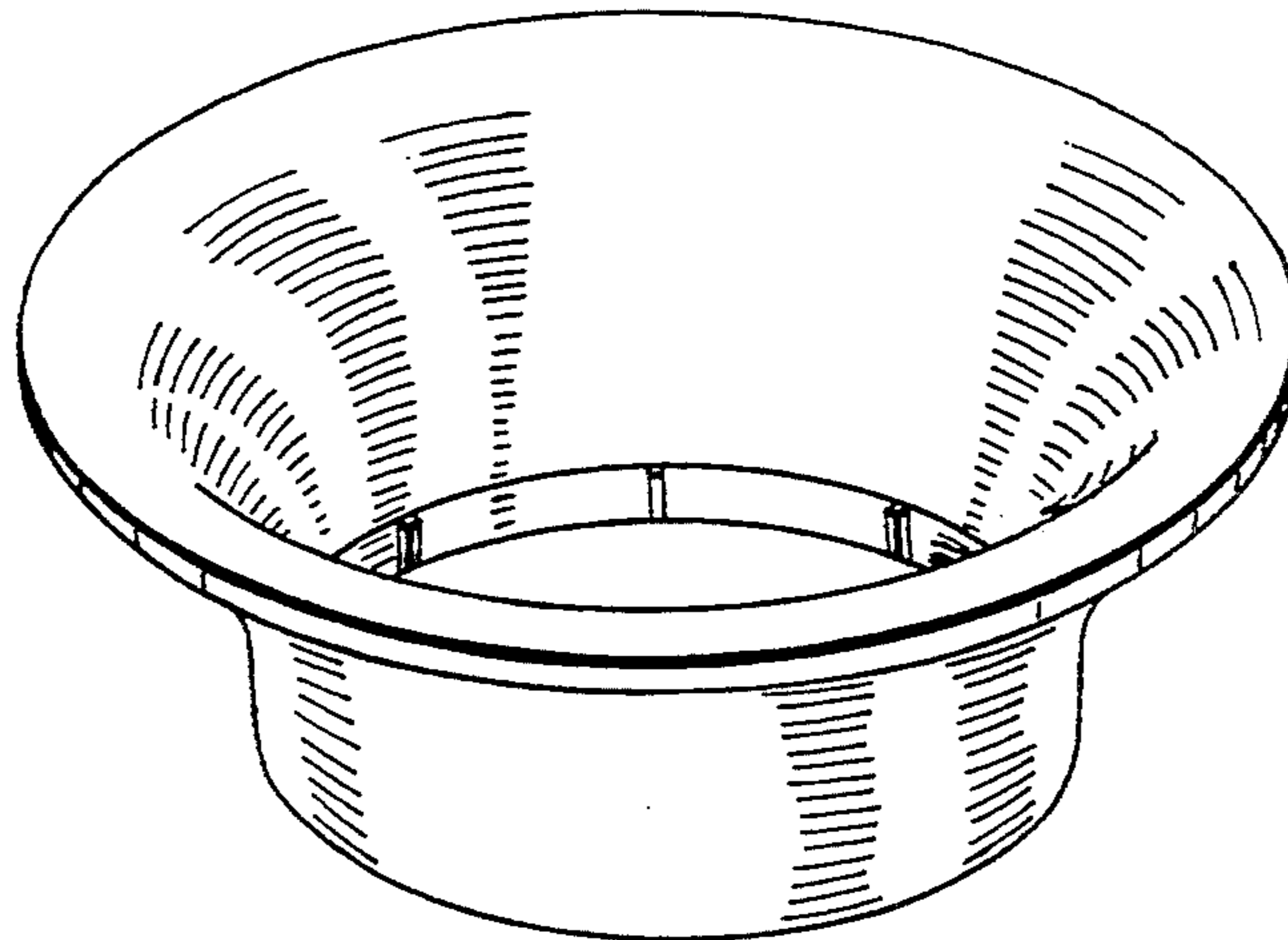


FIG. 1

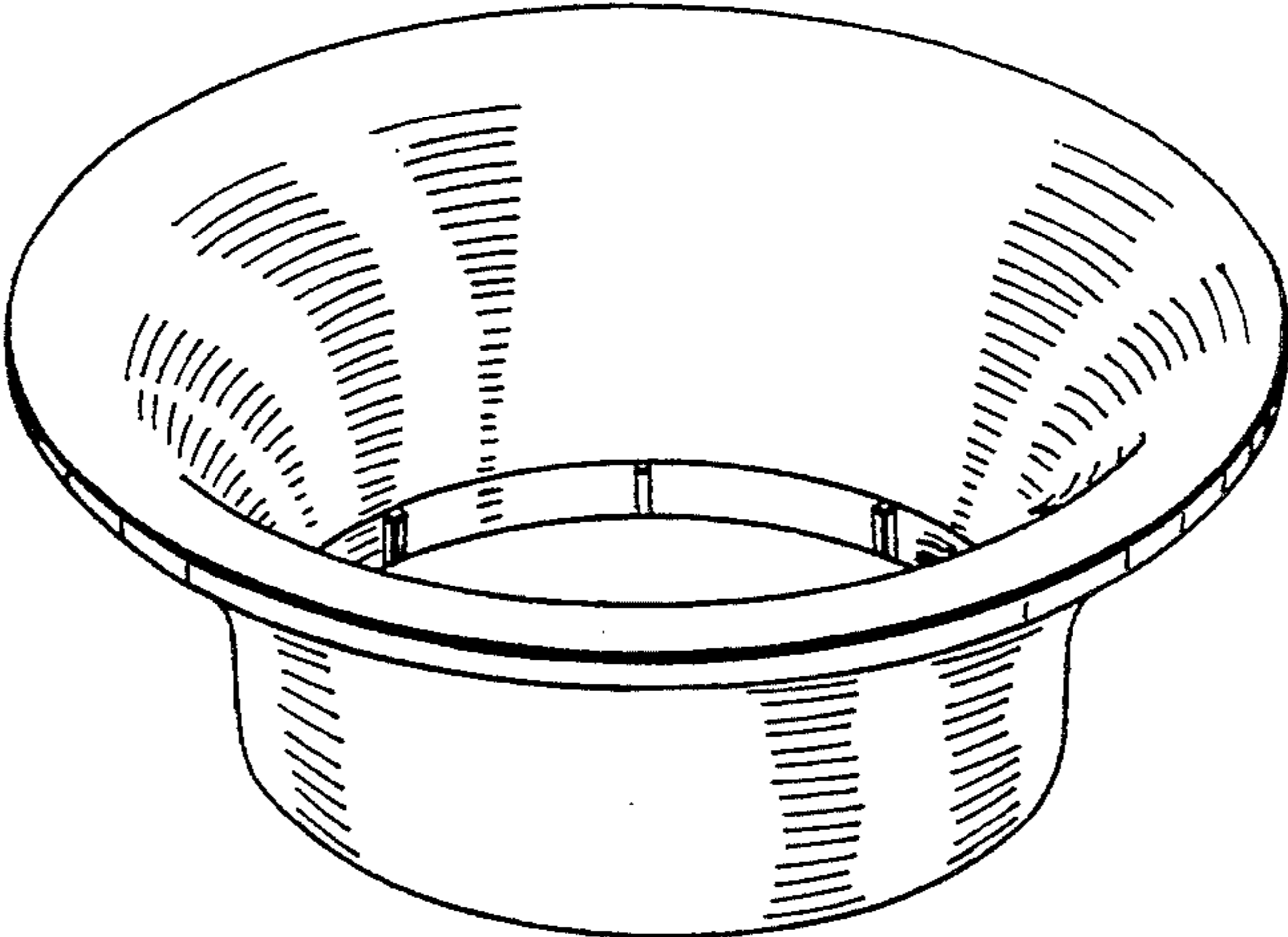


FIG. 2

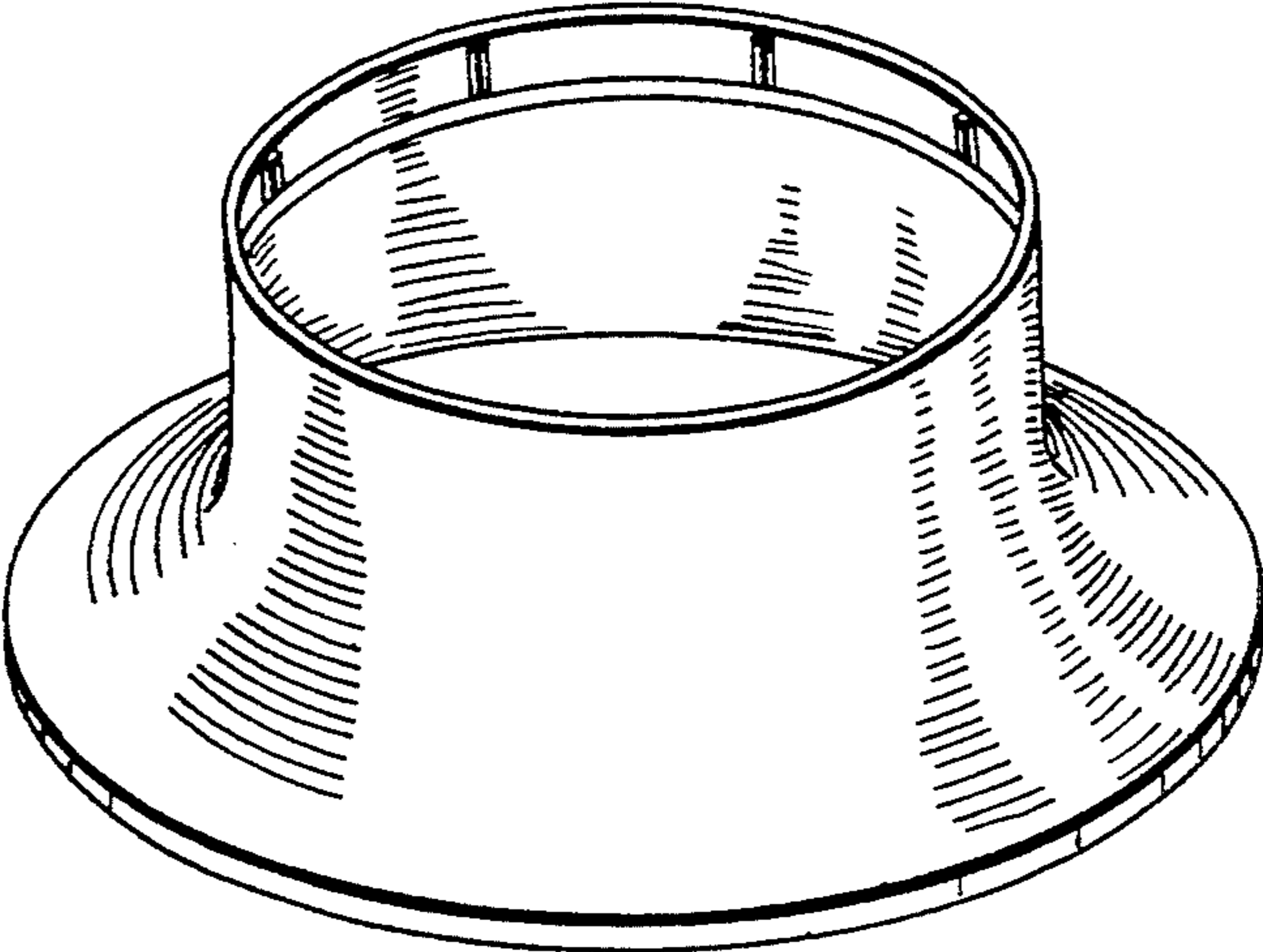


FIG. 3

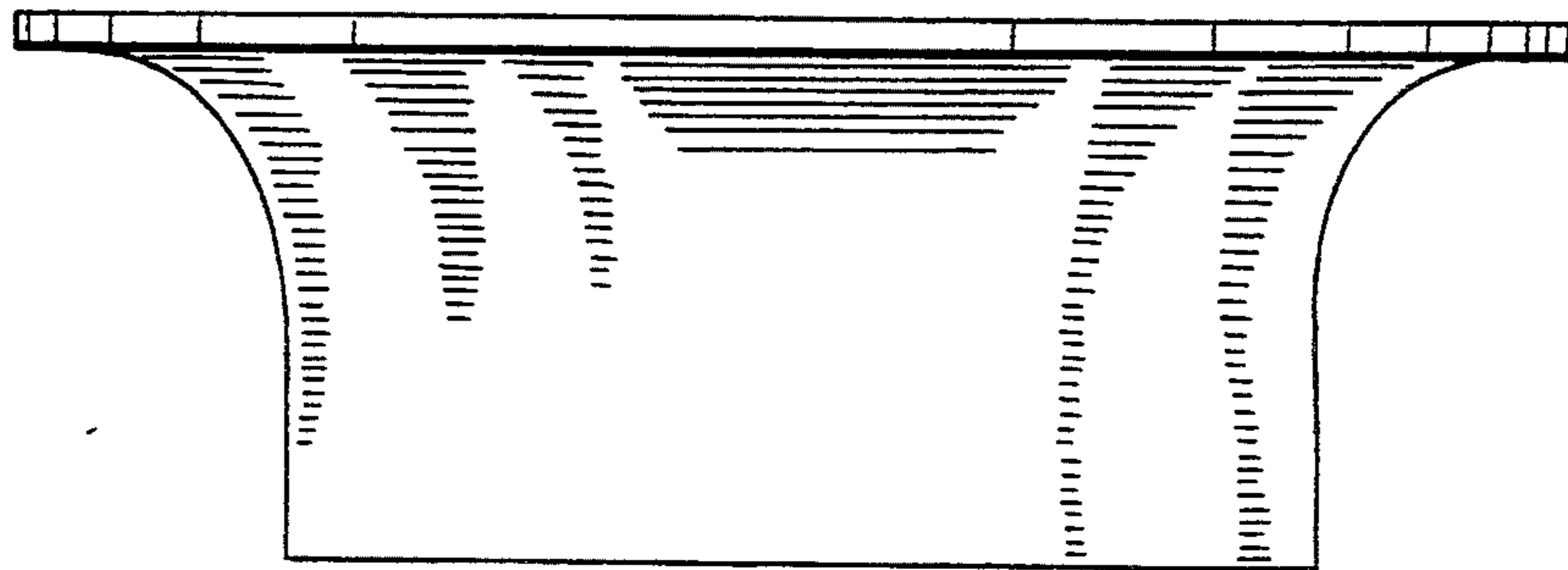


FIG. 4

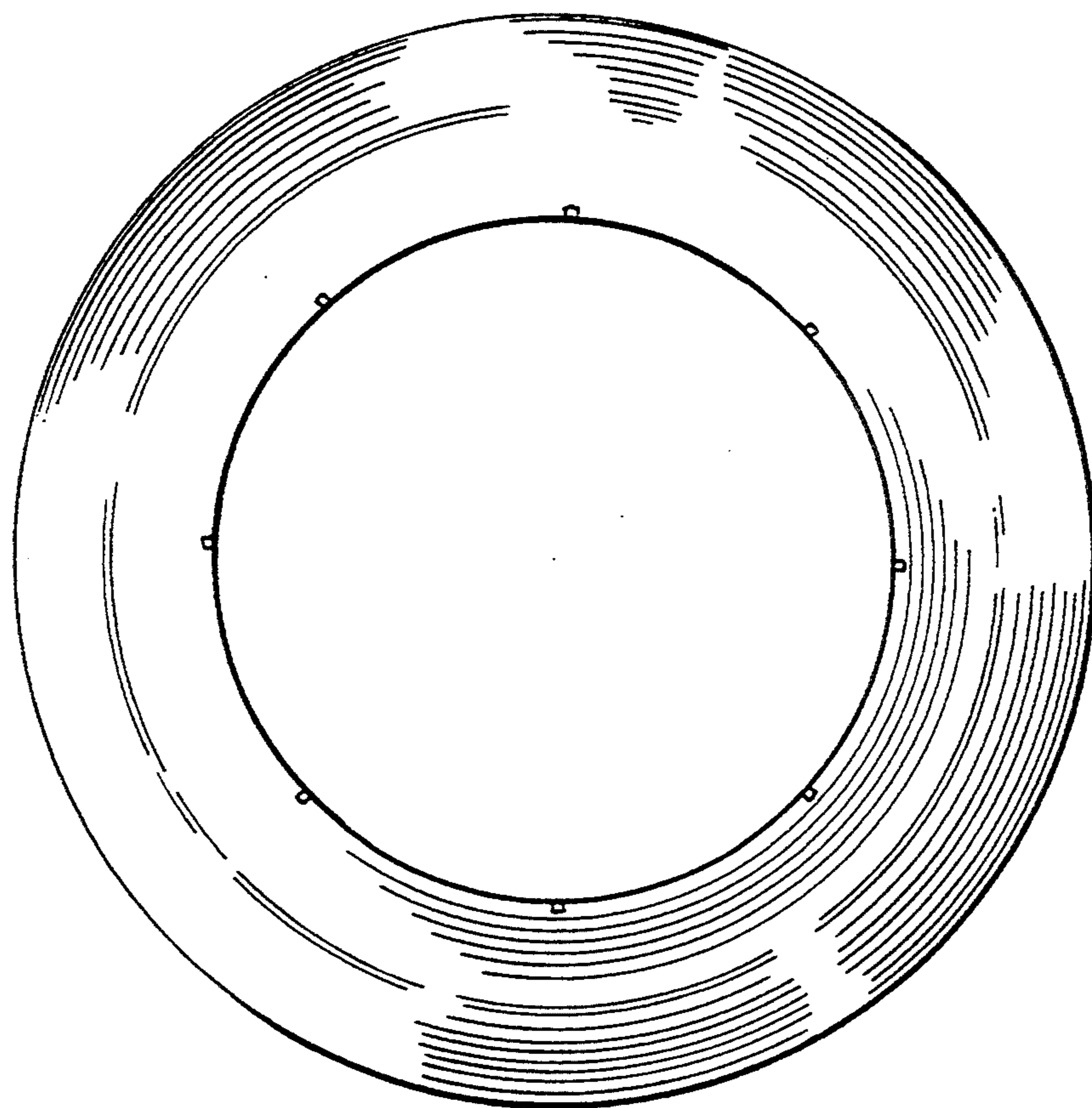


FIG. 5

