



US00D359952S

United States Patent [19]

[11] Patent Number: **Des. 359,952**

Cox et al.

[45] Date of Patent: **** Jul. 4, 1995**

[54] **INTEGRATED POINT OF SALE TERMINAL CARD READER AND DISPLAY**

[75] Inventors: **Aaron R. Cox, Raleigh; Ronald A. Smith, Apex, both of N.C.**

[73] Assignee: **International Business Machines Corp., Armonk, N.Y.**

[**] Term: **14 Years**

[21] Appl. No.: **22,631**

[22] Filed: **May 9, 1994**

[52] U.S. Cl. **D14/105; D18/4**

[58] Field of Search **D14/100, 101, 105, 106, D14/107, 113, 115; D18/1, 4, 7; 235/145 A, 145 R, 2, 6, 7 R, 383; 364/405, 706.1, 708.1; 345/104, 156, 168, 173, 901-905, 87; 194/205**

[56] **References Cited**

U.S. PATENT DOCUMENTS

D. 331,747	12/1992	Takahashi	D14/106
D. 333,304	2/1993	Taniuchi et al.	D14/101 X
D. 333,658	3/1993	Sasaki	D14/105
D. 334,567	4/1993	Someya et al.	D14/101 X
D. 338,454	8/1993	Savio	D14/105
D. 343,831	2/1994	Spoeth	D14/106
D. 345,347	3/1994	Yamazaki	D14/106

Primary Examiner—Freda S. Nunn

Attorney, Agent, or Firm—Joscelyn G. Cockburn

[57] **CLAIM**

The ornamental design for a integrated point of sale terminal card reader and display, as shown and described.

DESCRIPTION

FIG. 1 is a reduced top front and right side perspective view of an integrated point of sale terminal card reader and display;

FIG. 2 is a front elevational view;

FIG. 3 is a rear elevational view;

FIG. 4 is a top plan view;

FIG. 5 is a left side elevational view;

FIG. 6 is a right side elevational view;

FIG. 7 is a bottom plan view;

FIG. 8 is a rear elevational view with card reader and display attached;

FIG. 9 is a front elevational view with card reader and display attached;

FIG. 10 is a top plan view of FIG. 8;

FIG. 11 is a right side elevational view of FIG. 8;

FIG. 12 is a left side elevational view of FIG. 8;

FIG. 13 is a bottom plan view of FIG. 8; and,

FIG. 14 is a reduced top front and right side perspective view showing our design with the card reader and display attached.

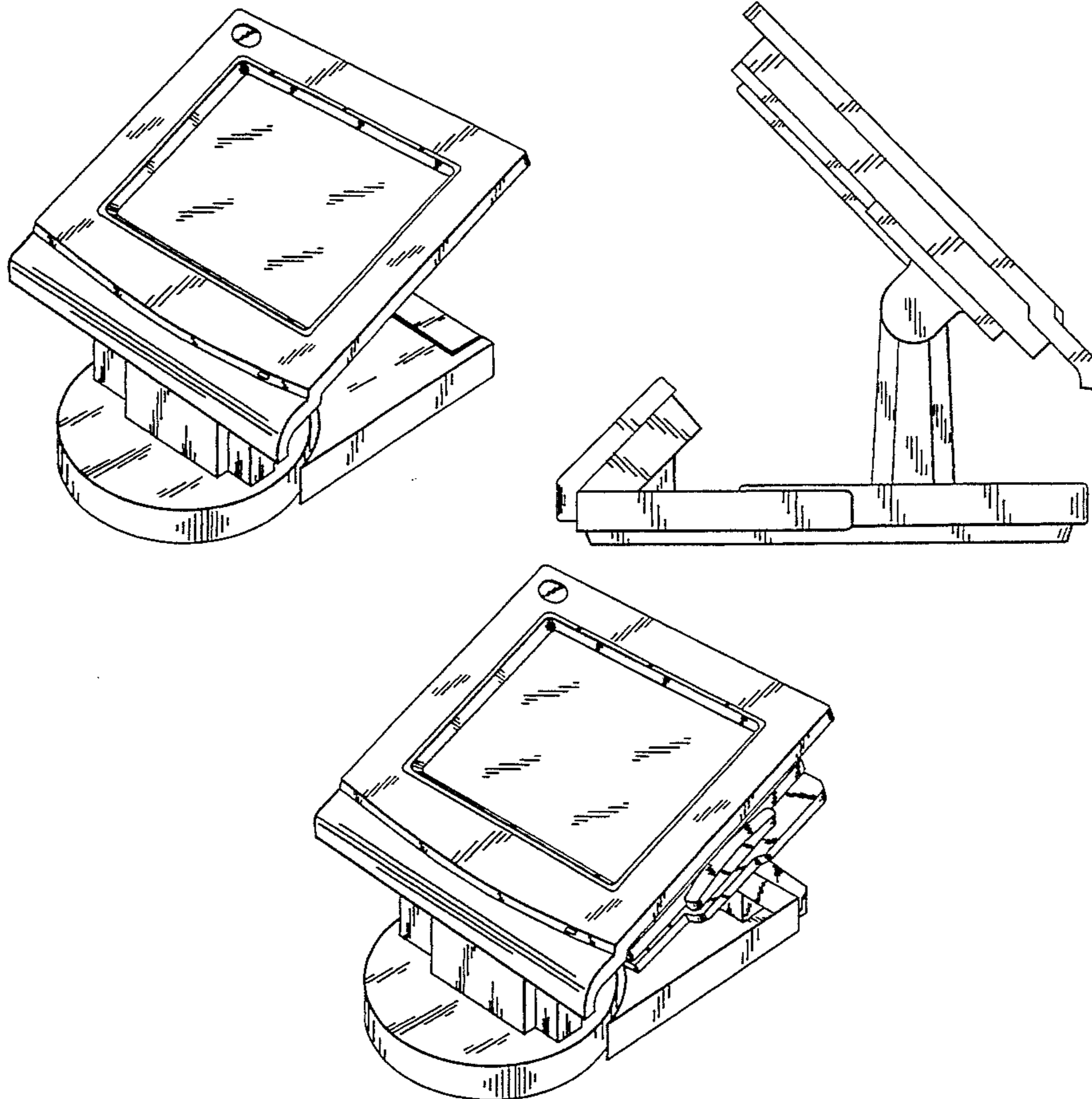


FIG. 1

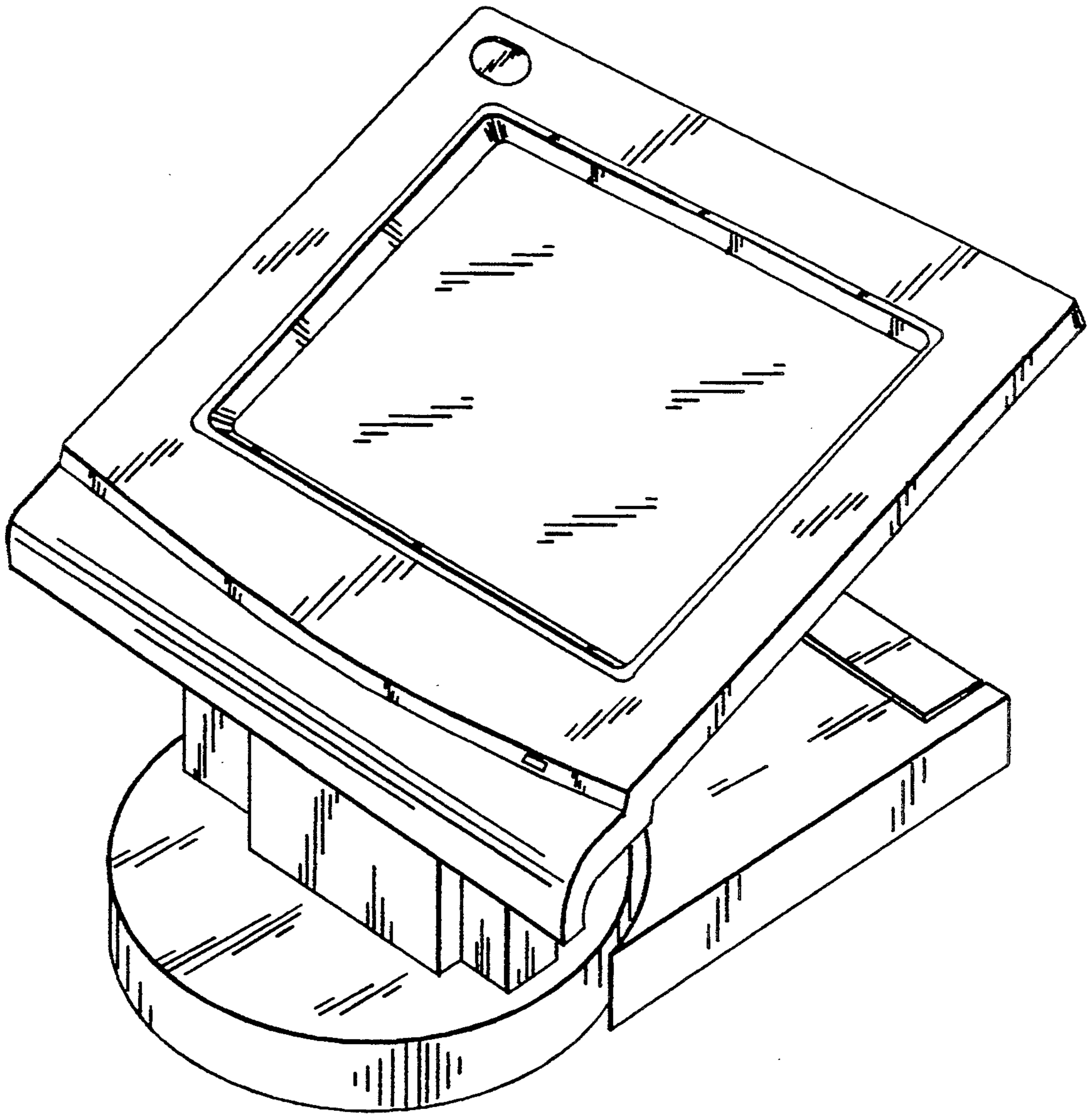


FIG. 2

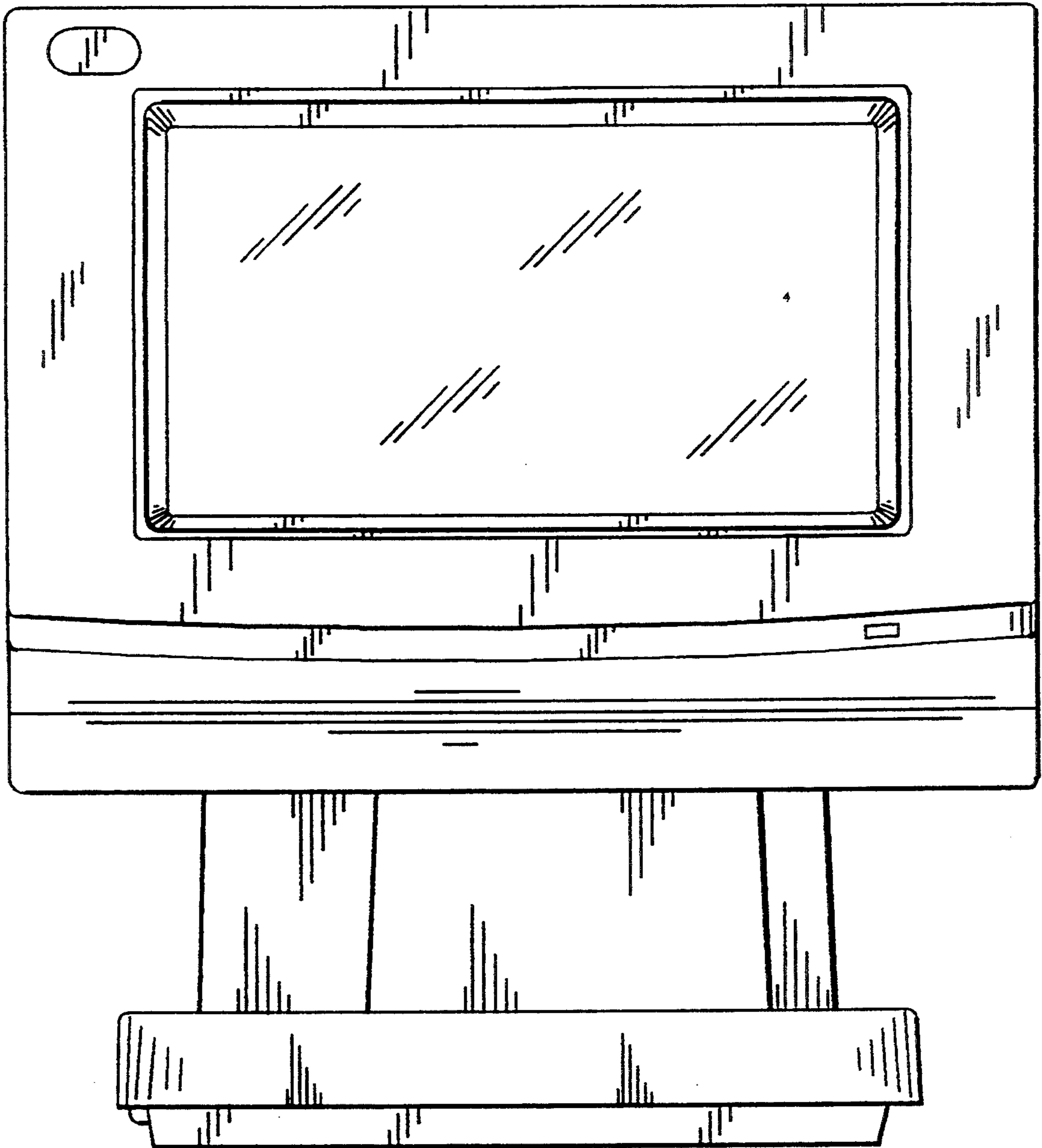


FIG. 3

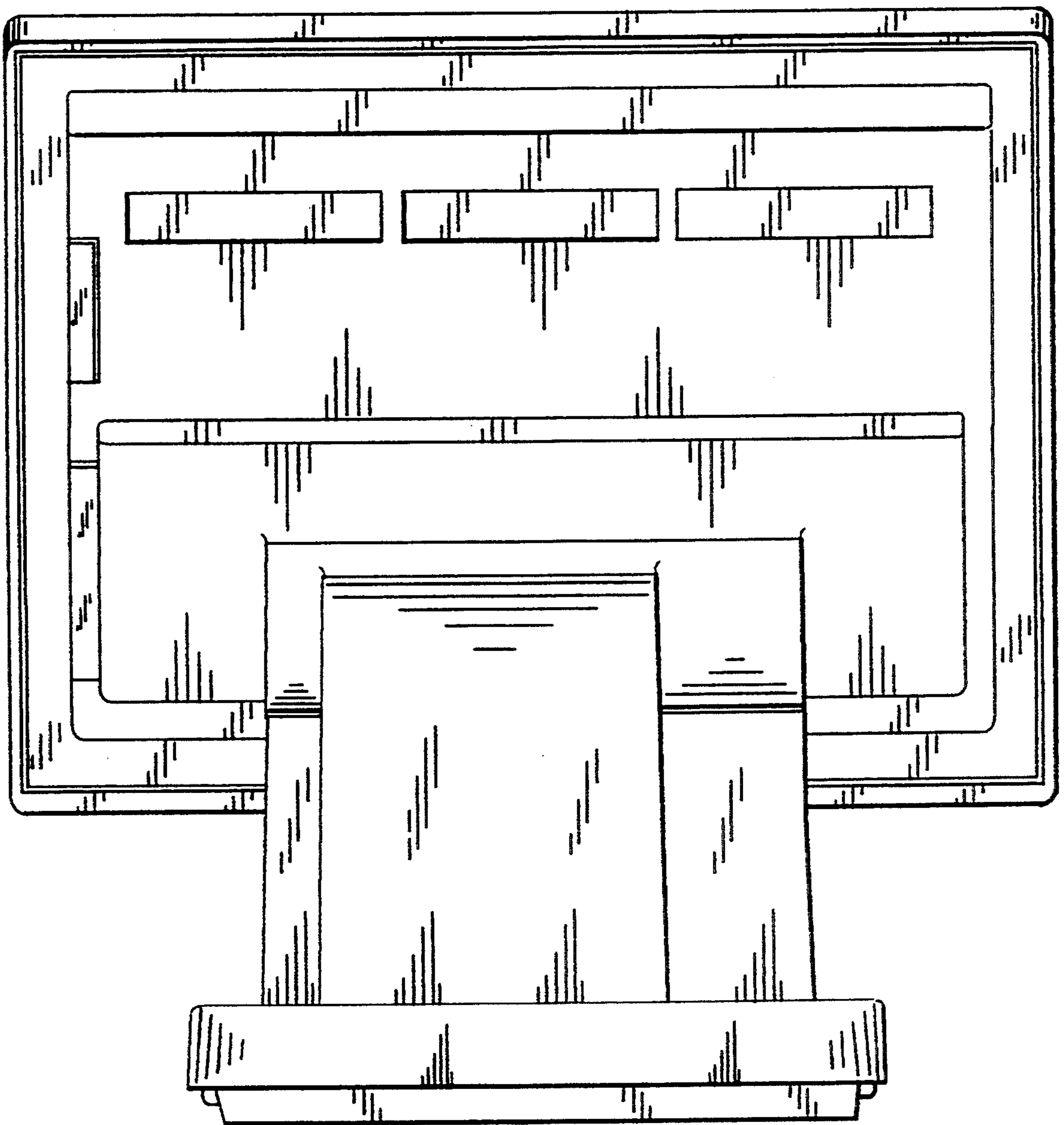


FIG. 4

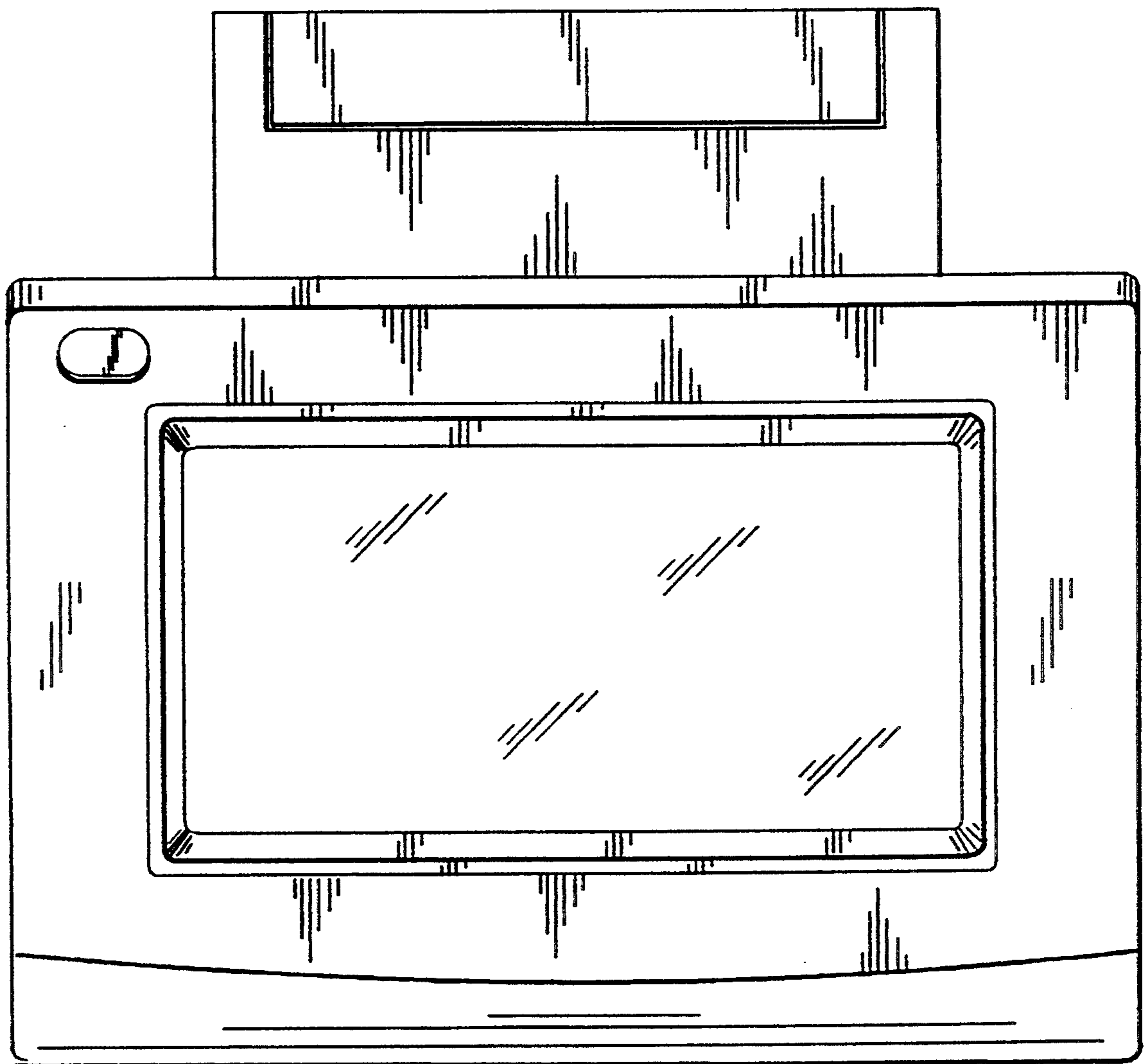


FIG. 5

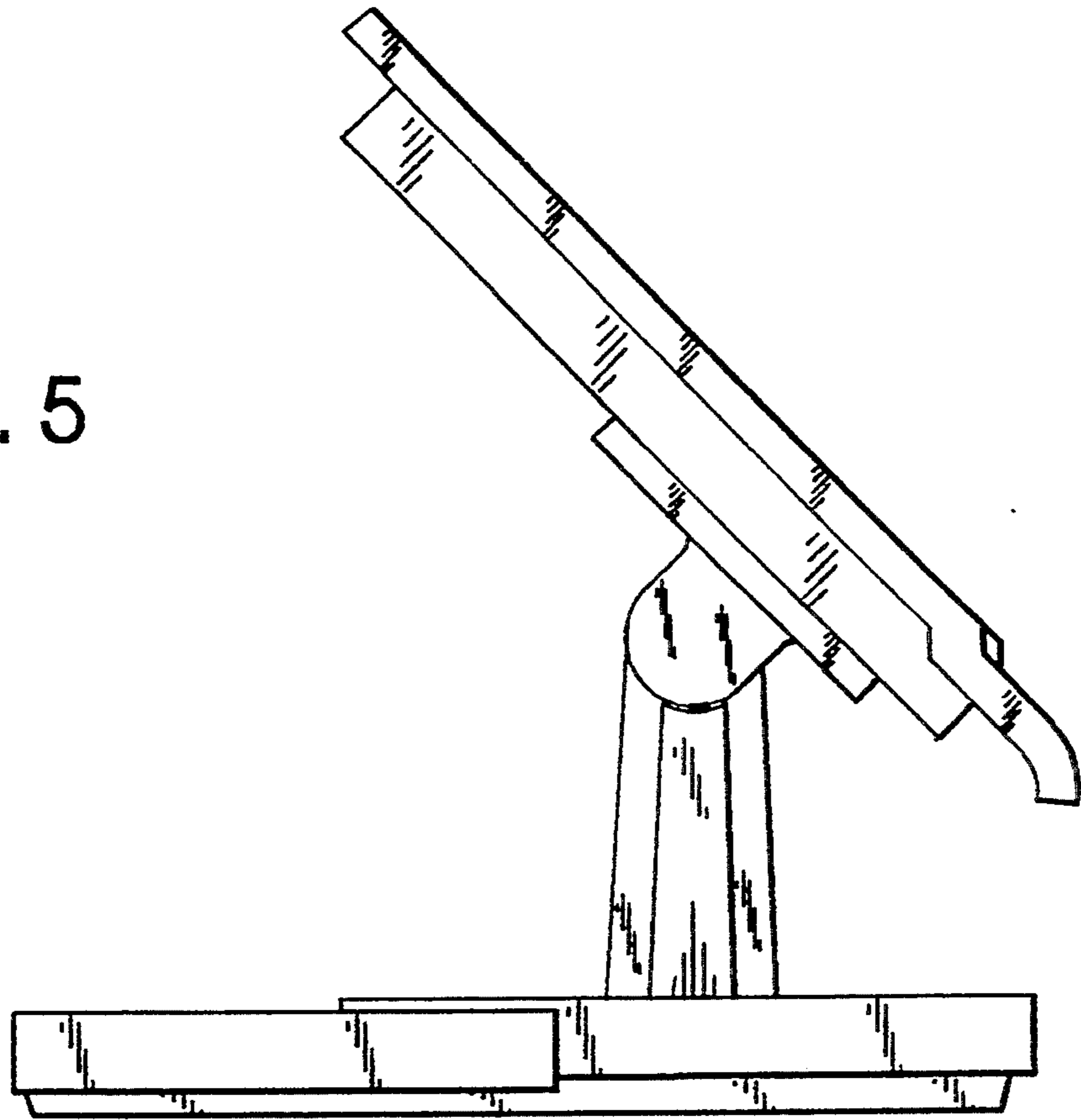


FIG. 6

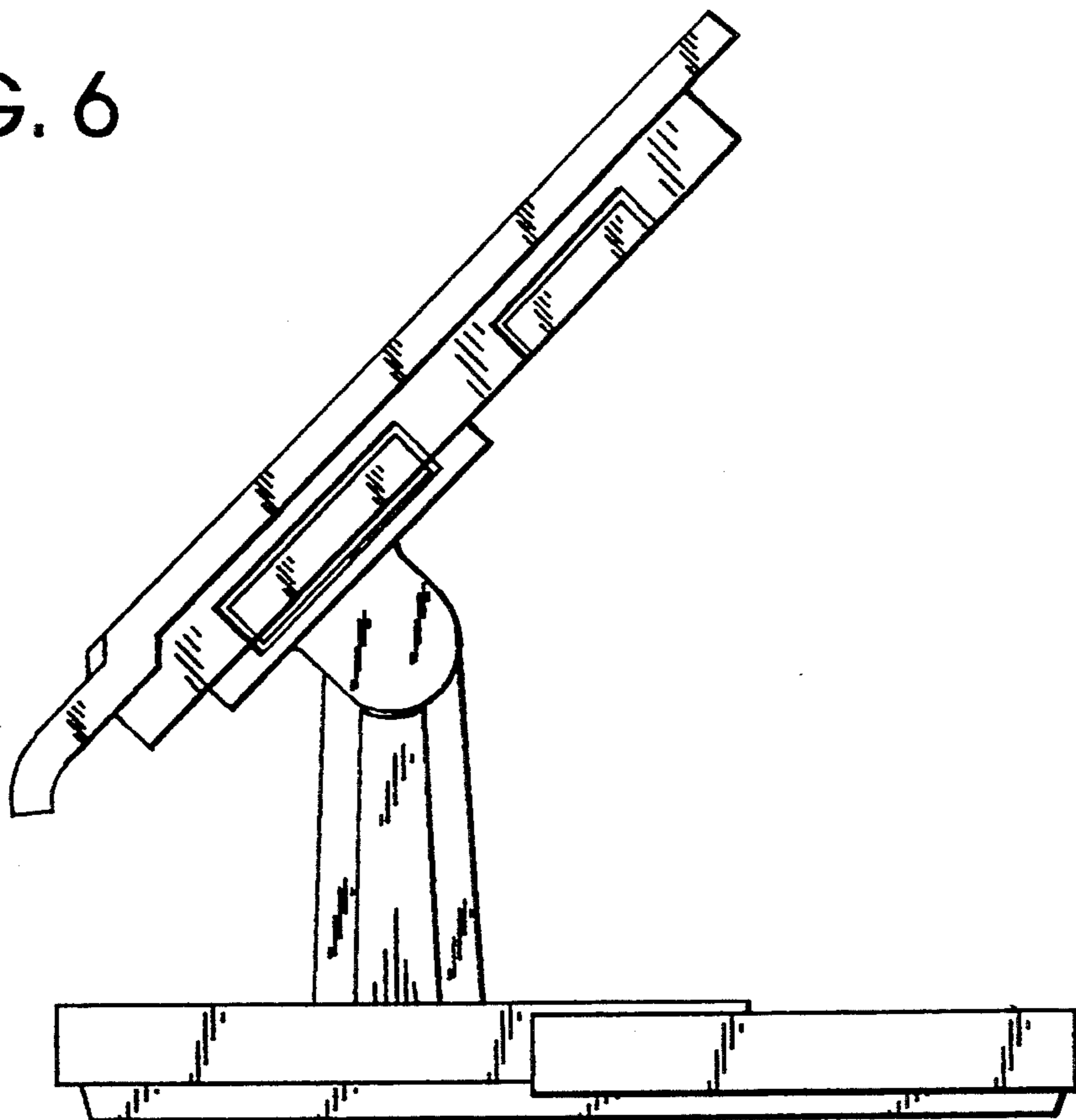


FIG. 7

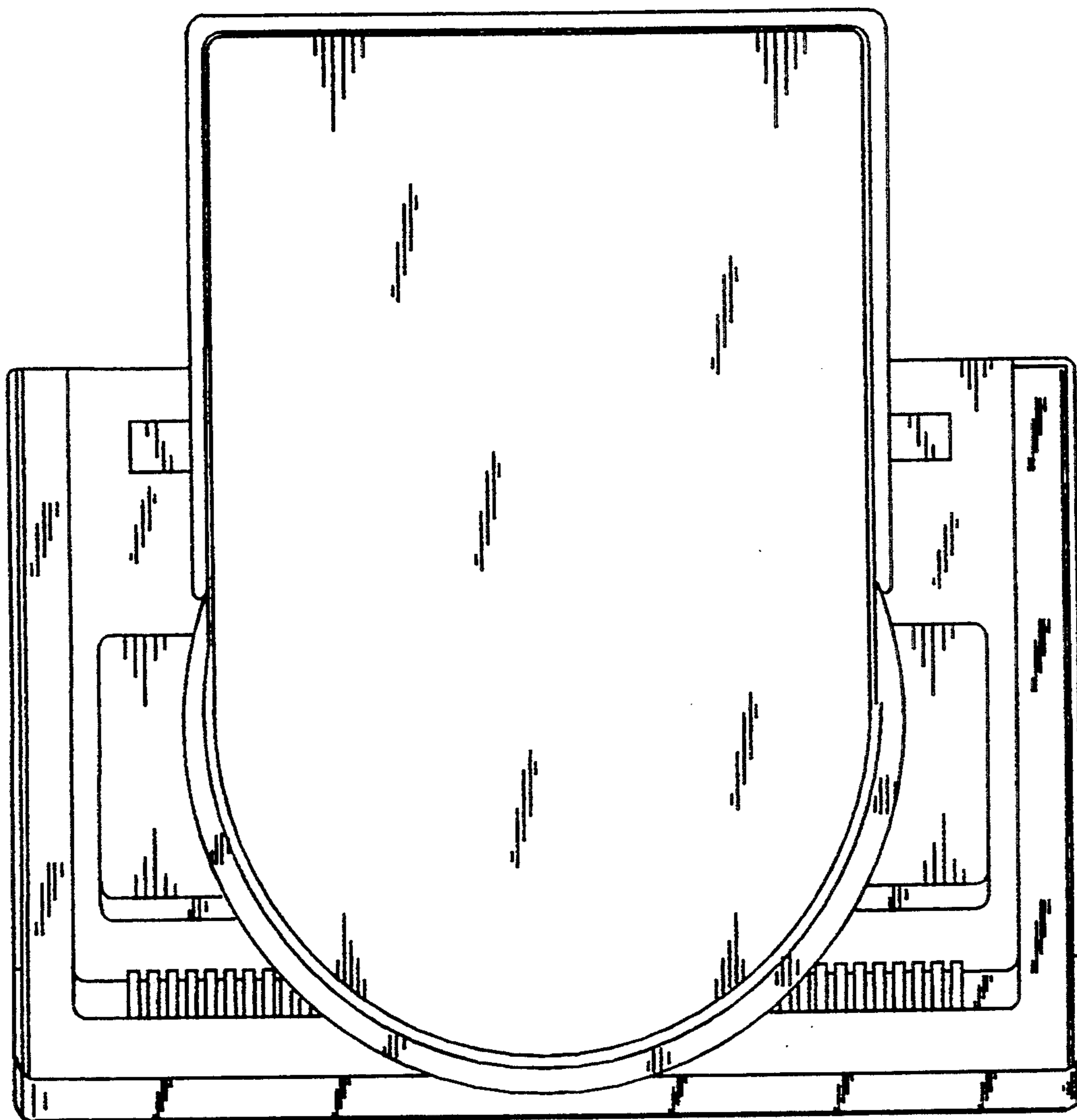


FIG. 8

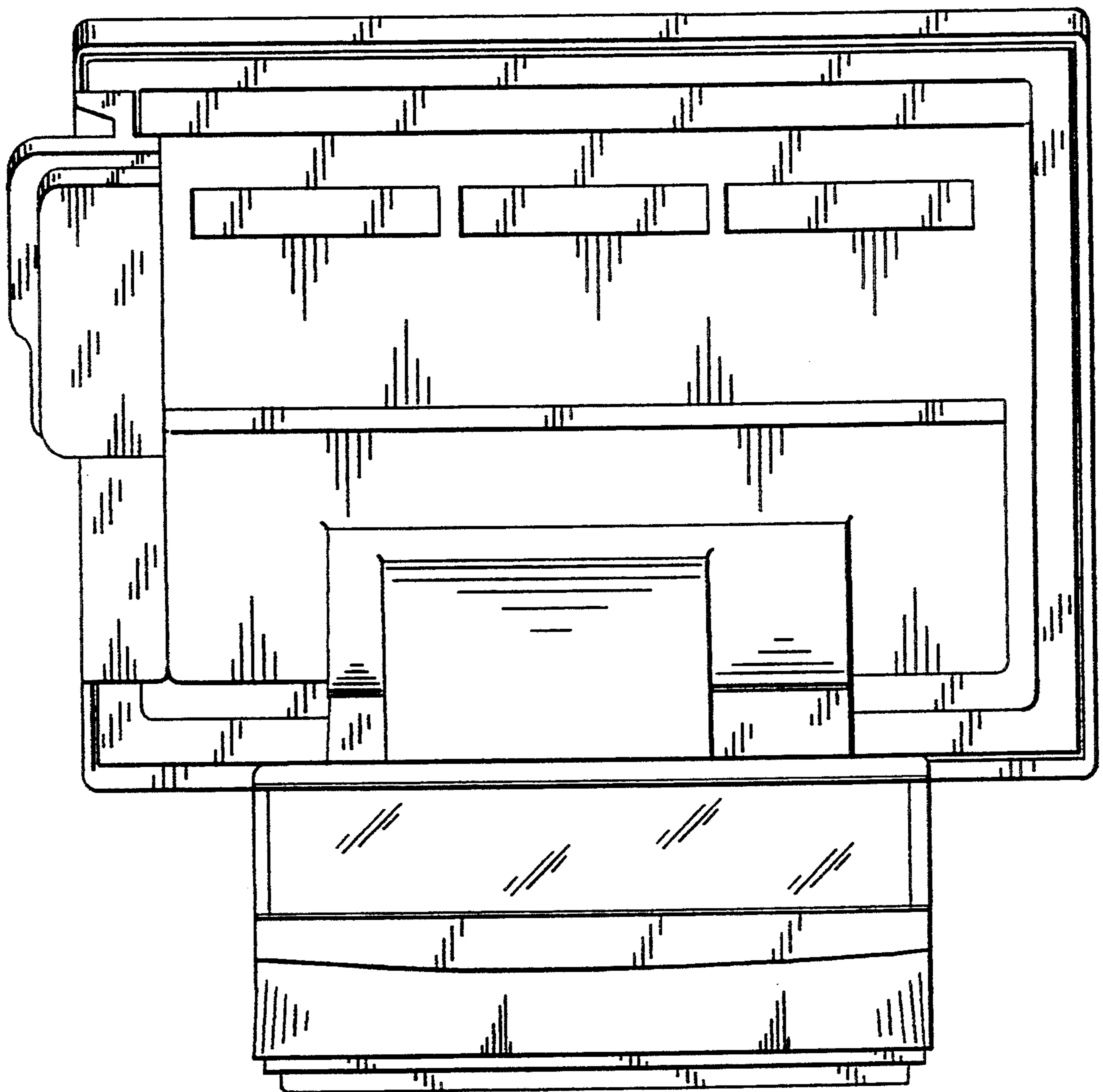


FIG. 9

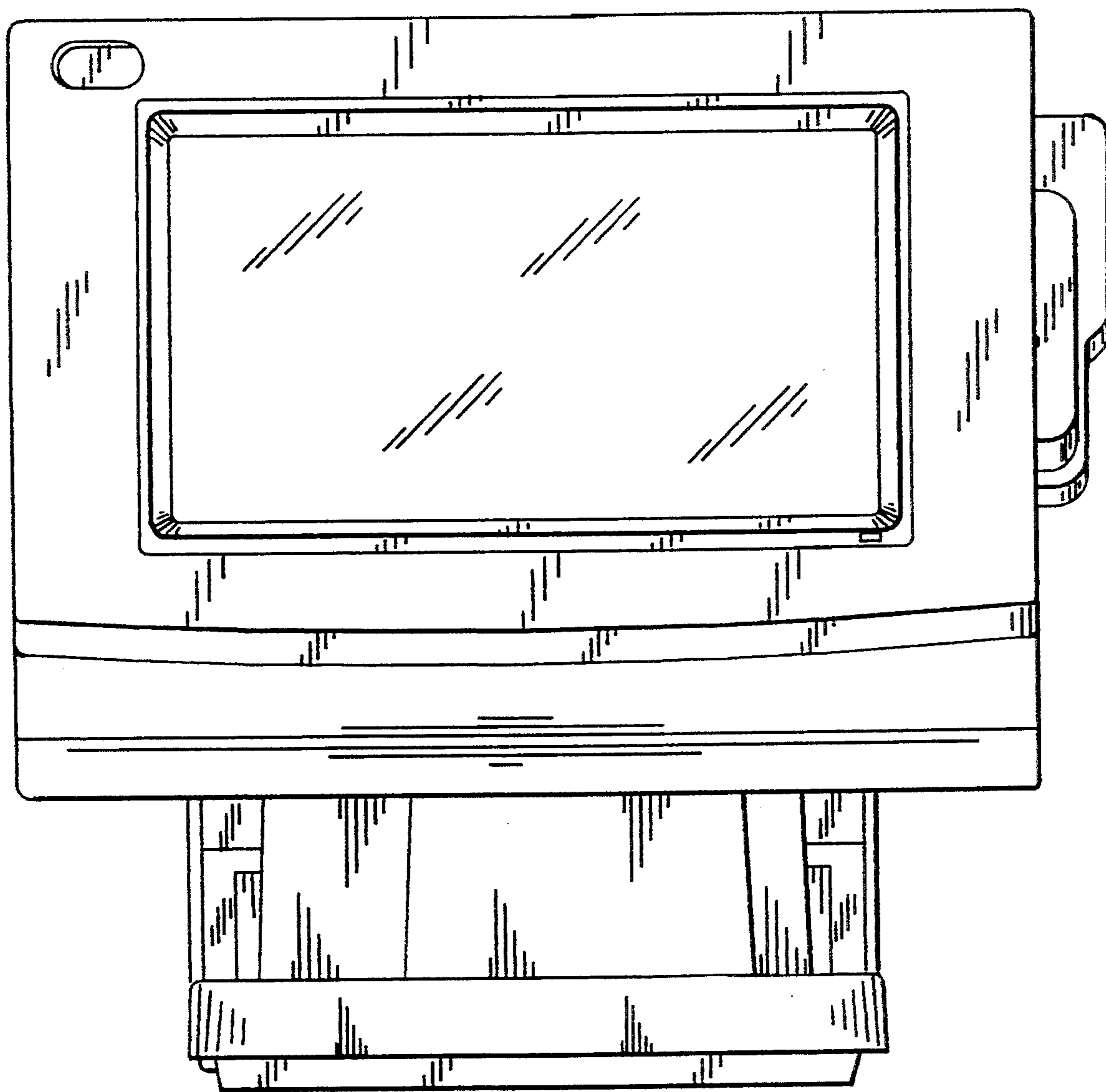


FIG. 10

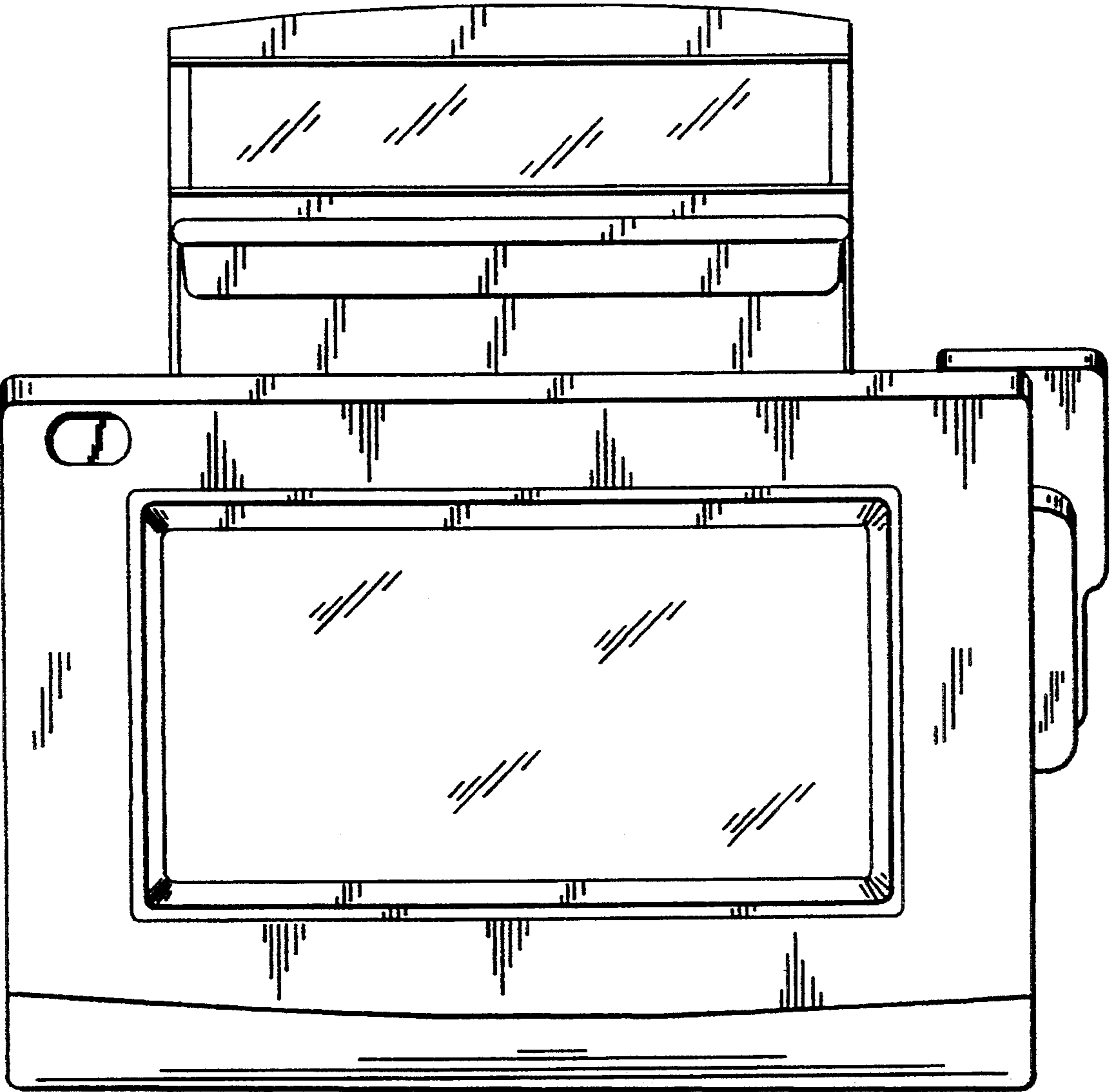


FIG. 11

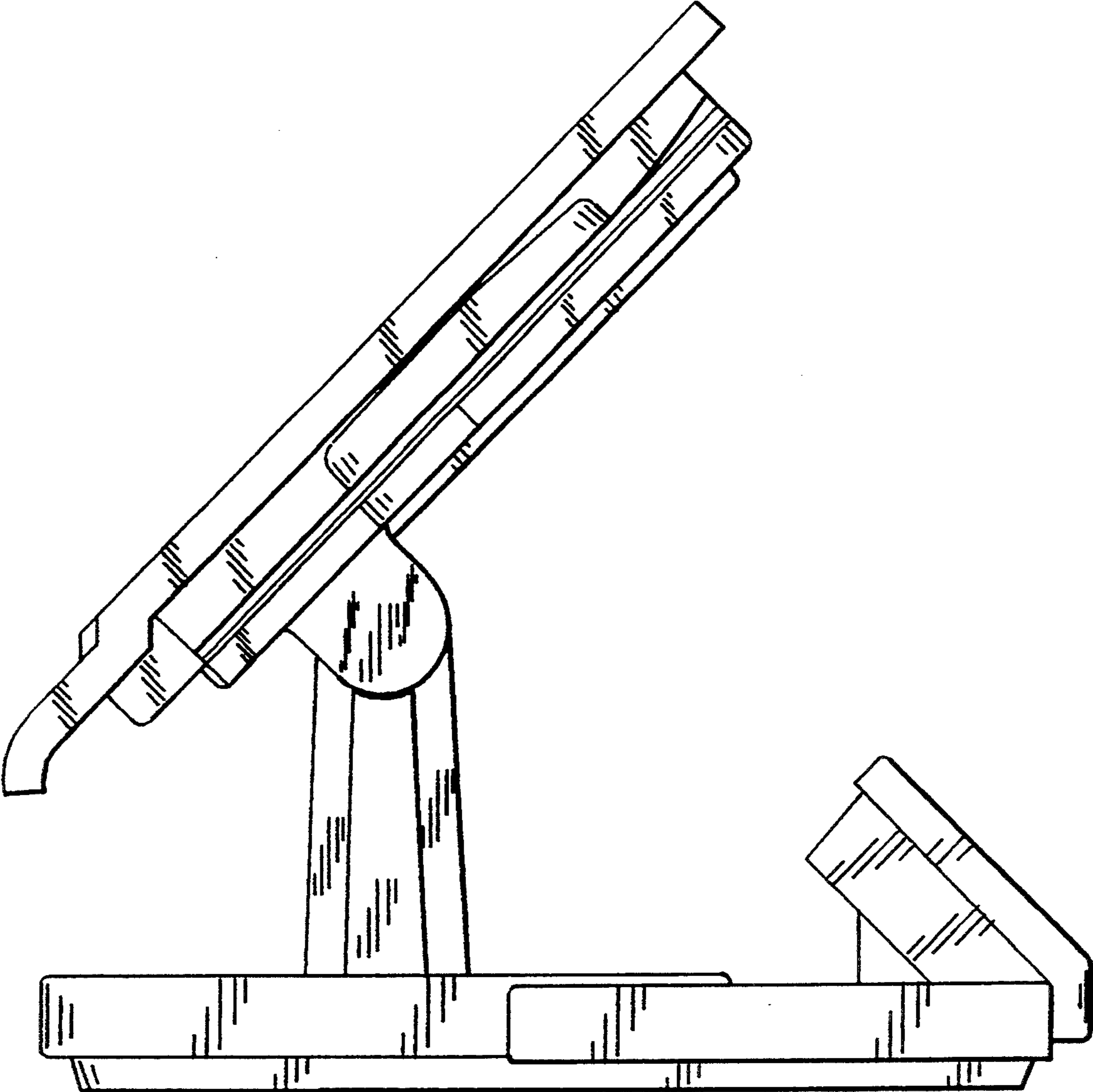


FIG. 12

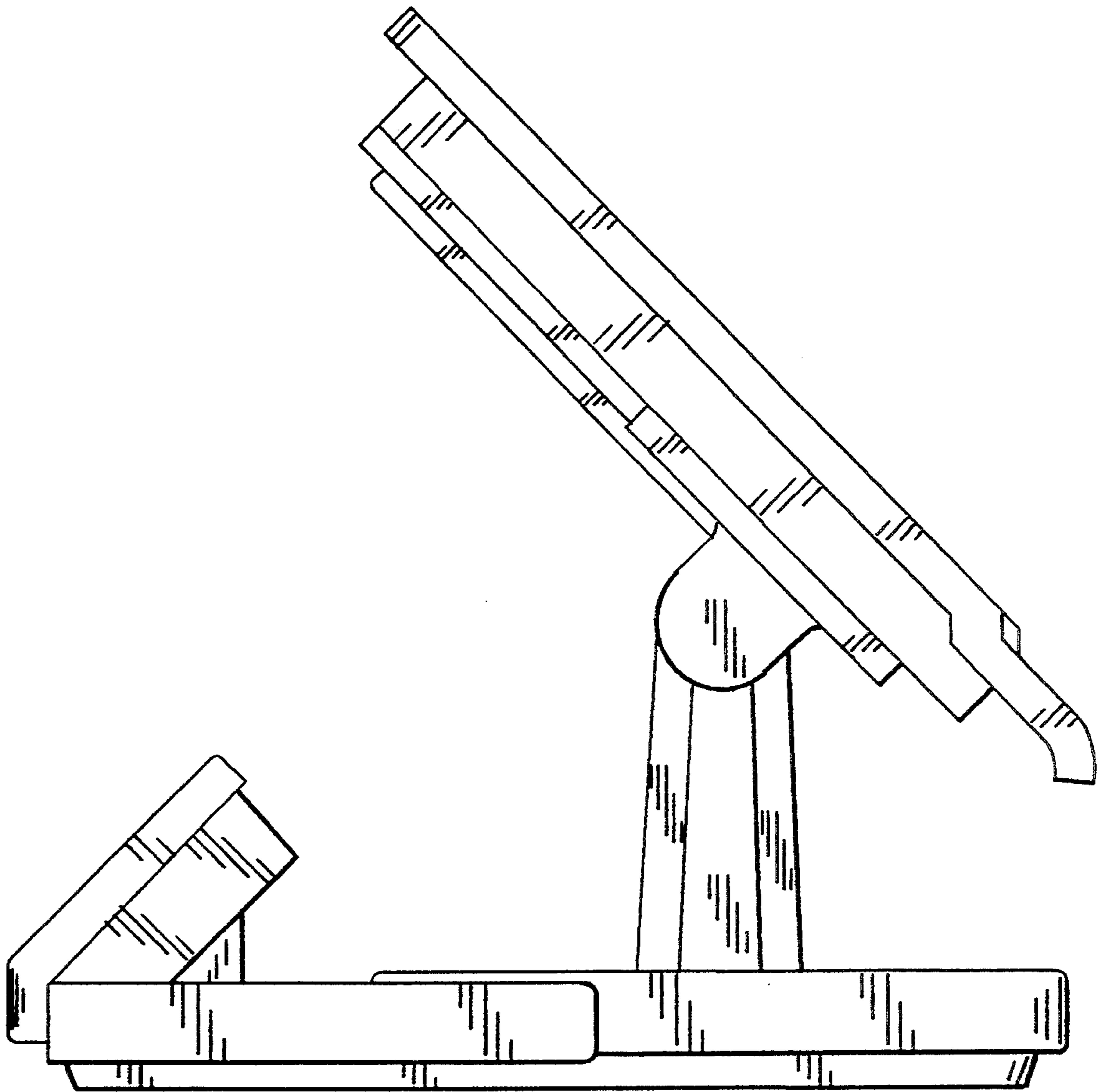


FIG. 13

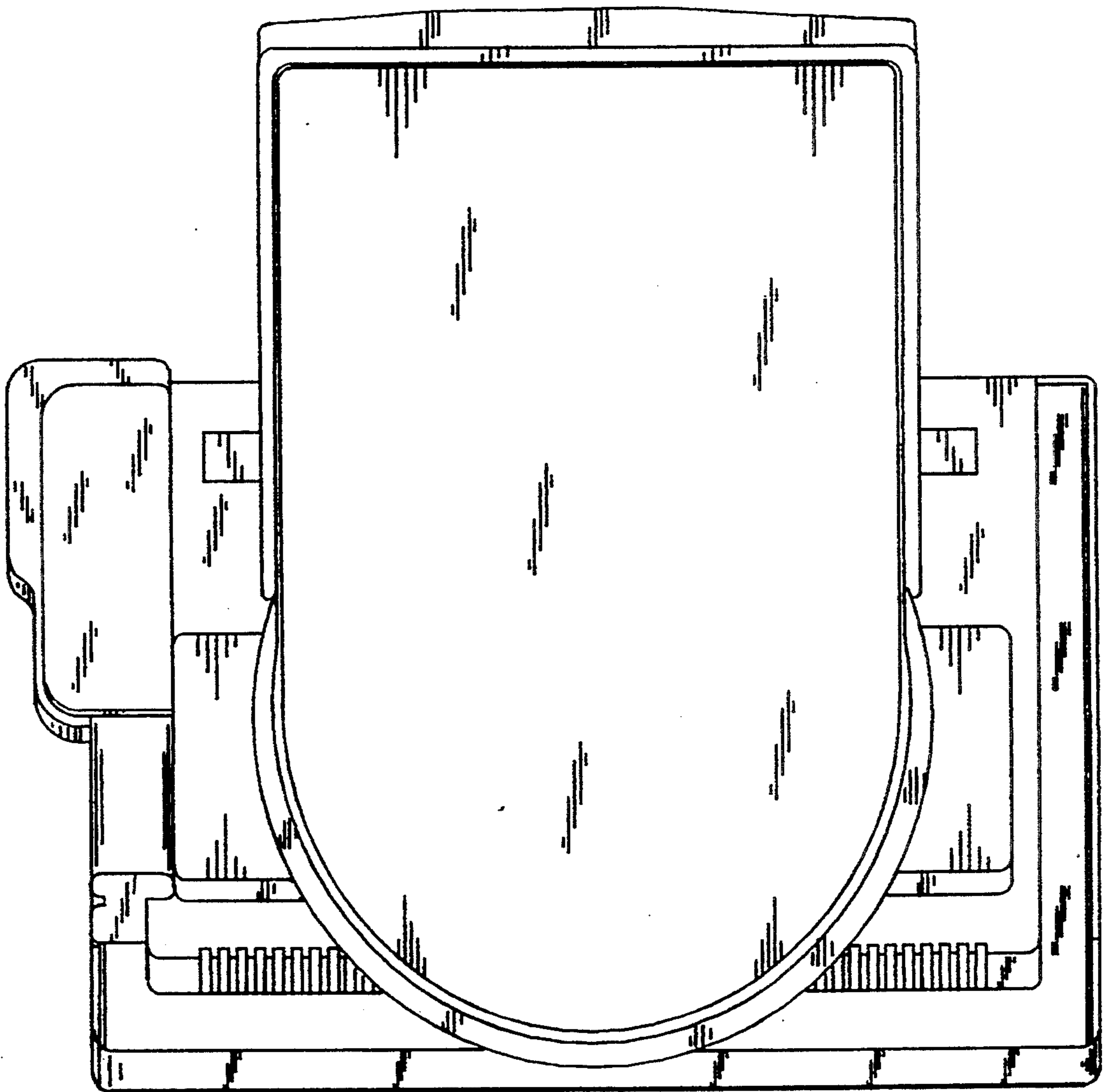


FIG. 14

