



US00D359945S

United States Patent [19]

[11] Patent Number: **Des. 359,945**

Cameron

[45] Date of Patent: **** Jul. 4, 1995**

[54] **AUTO WINDOW ARM REST**

[76] Inventor: **Eddie Cameron**, 366 W. Ave. J-7,
Lancaster, Calif. 93534

[**] Term: **14 Years**

[21] Appl. No.: **8,039**

[22] Filed: **May 10, 1993**

[52] U.S. Cl. **D12/421**

[58] Field of Search **D12/114, 421; 297/413,
297/414, 411, 411.2, 411.23, 411.4, 115;
296/153**

[56] **References Cited**

U.S. PATENT DOCUMENTS

D. 238,488	1/1976	Vinson	D12/421
D. 306,713	3/1990	Sanders	D12/421
D. 315,131	3/1991	Thurman	D12/421
3,893,729	7/1975	Sherman et al.	297/115
5,302,000	4/1994	Ayotte	297/411.23

OTHER PUBLICATIONS

J C Whitney & Co Catalog, No. 473J ©1986, p. 80, the
armrest pad for windows.

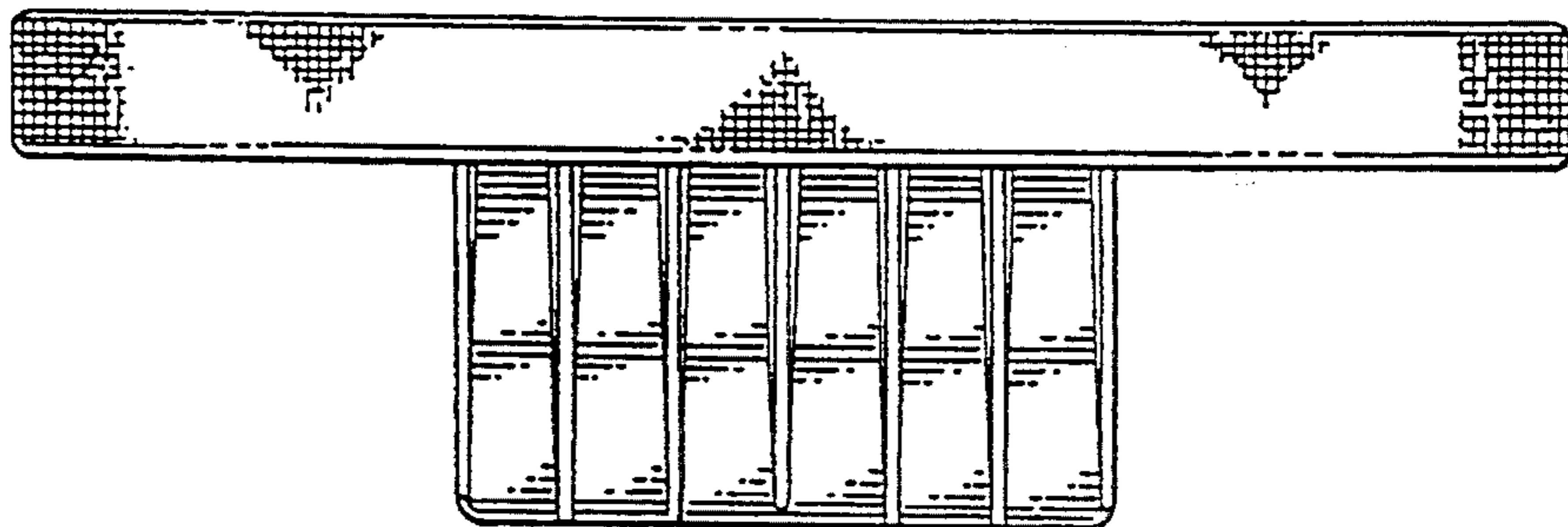
Primary Examiner—James M. Gandy
Assistant Examiner—M. Brown
Attorney, Agent, or Firm—Roger A. Marrs

[57] **CLAIM**

The ornamental design for an auto window arm rest, as
shown.

DESCRIPTION

FIG. 1 is a side elevational view of an auto window arm
rest showing my new design;
FIG. 2 is an end elevational view thereof with its oppo-
site end being a mirror image;
FIG. 3 is a top plan view thereof;
FIG. 4 is a bottom plan view thereof; and,
FIG. 5 is a perspective view thereof.



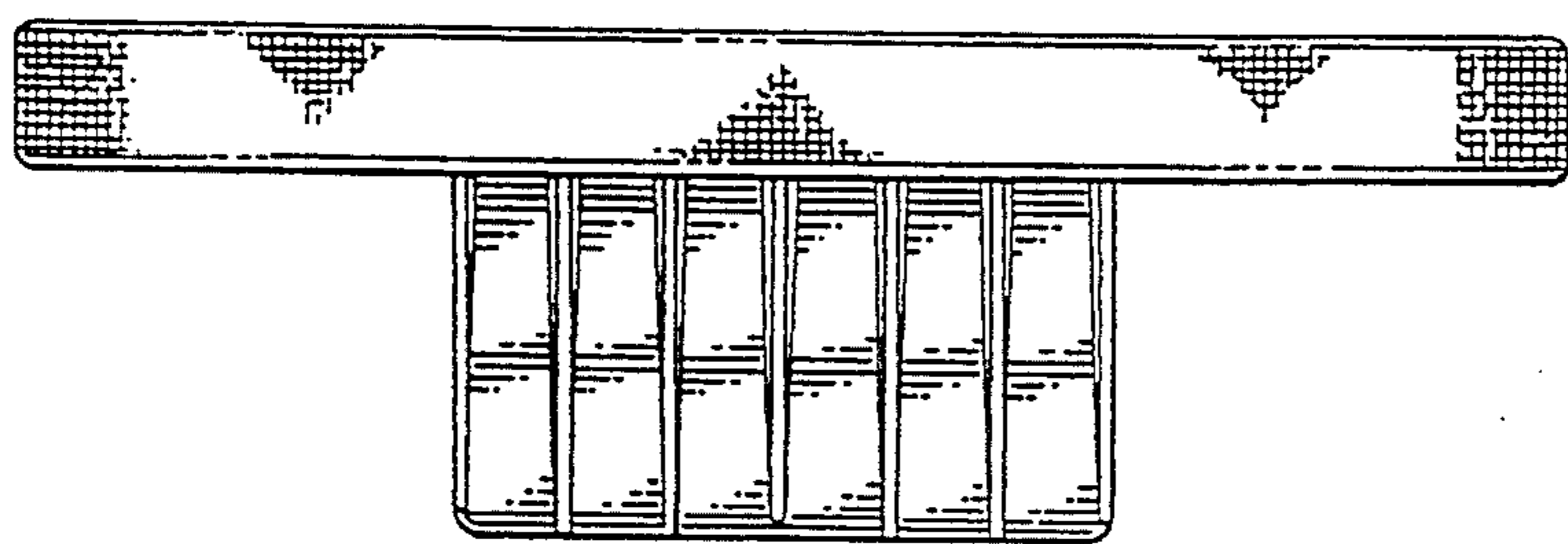


FIG. 1.

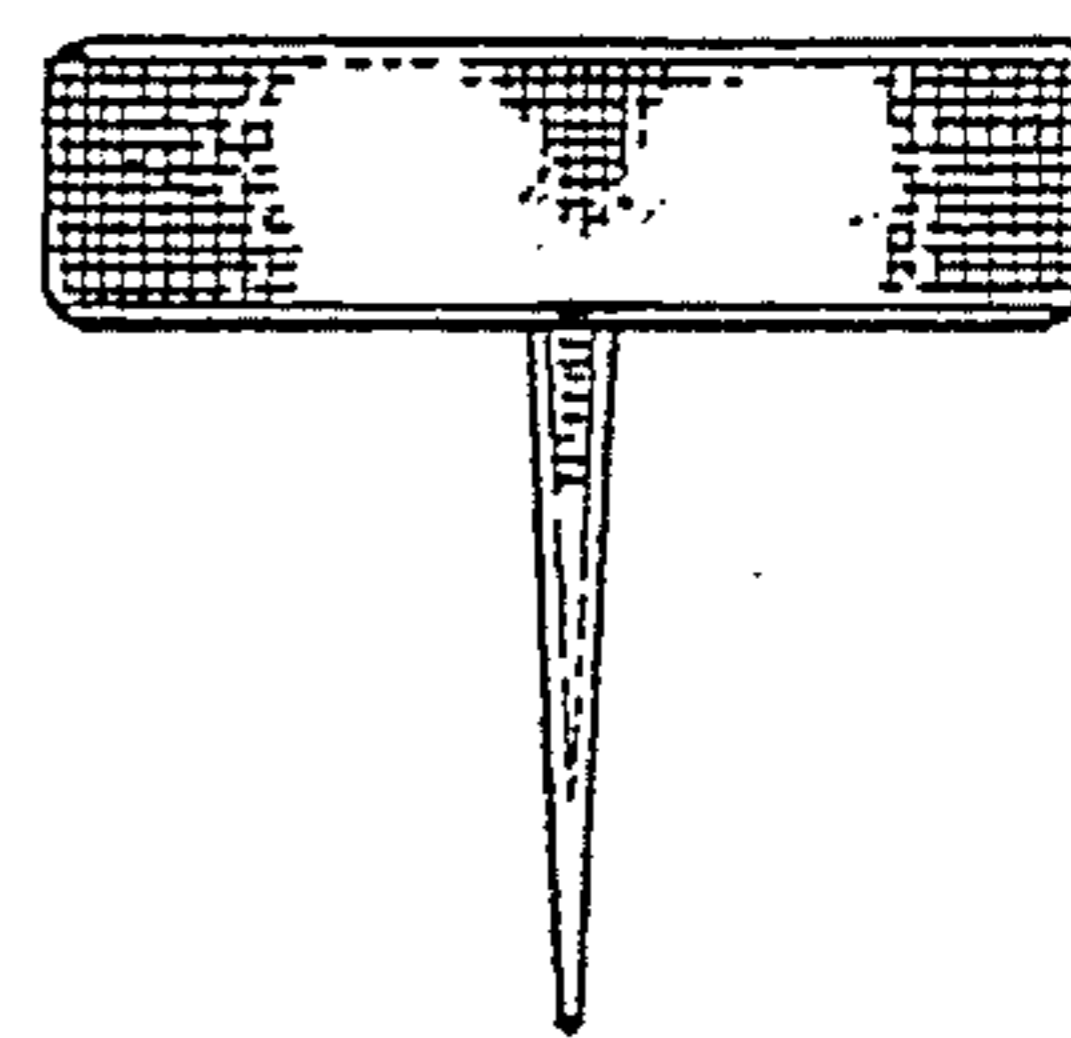


FIG. 2.

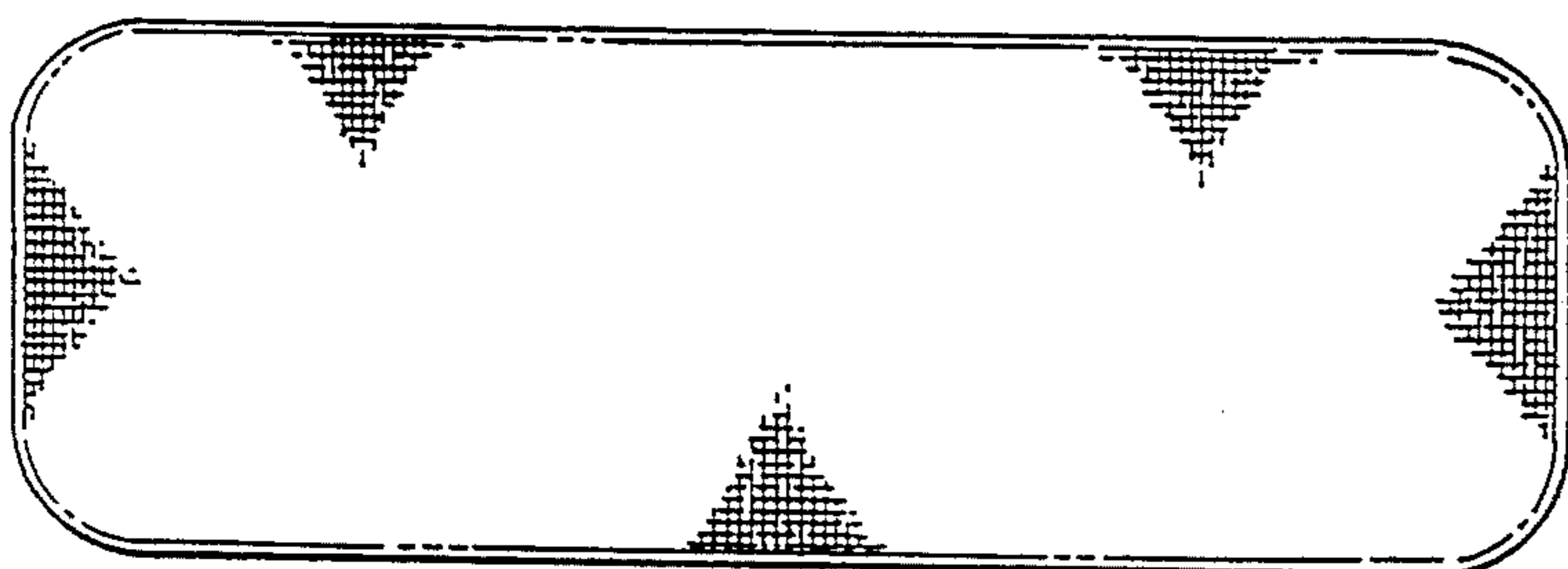


FIG. 3.

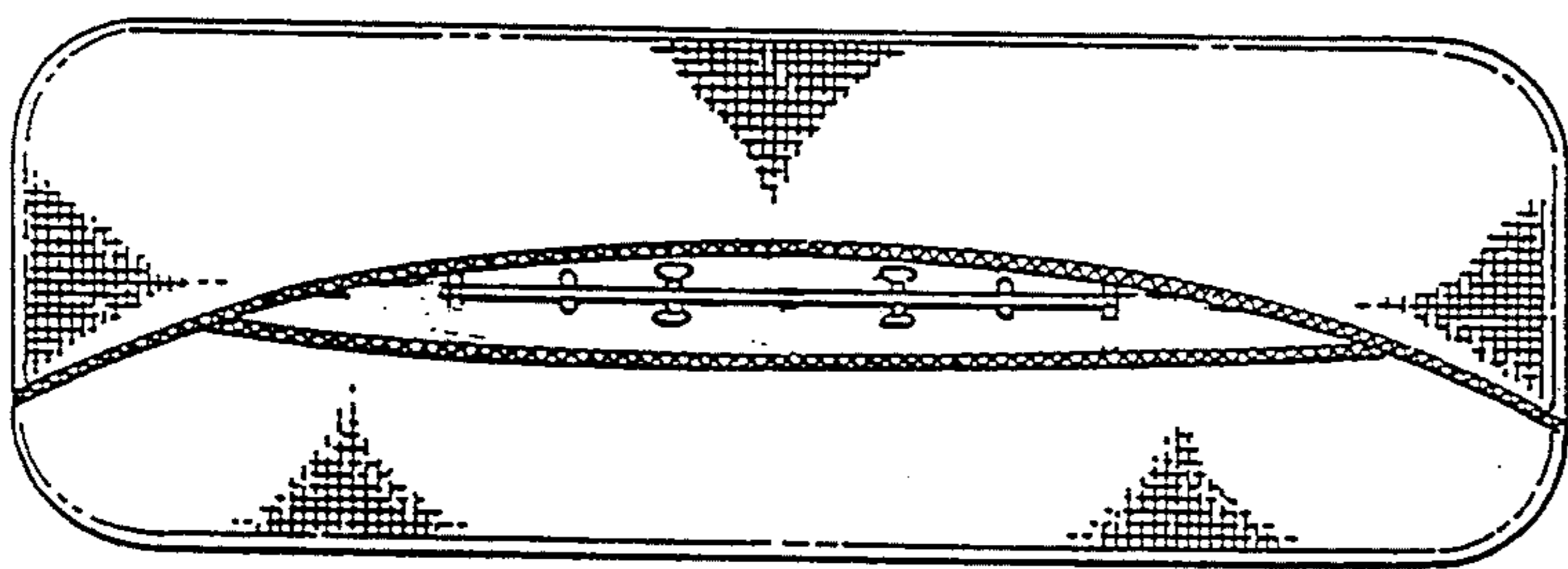


FIG. 4.

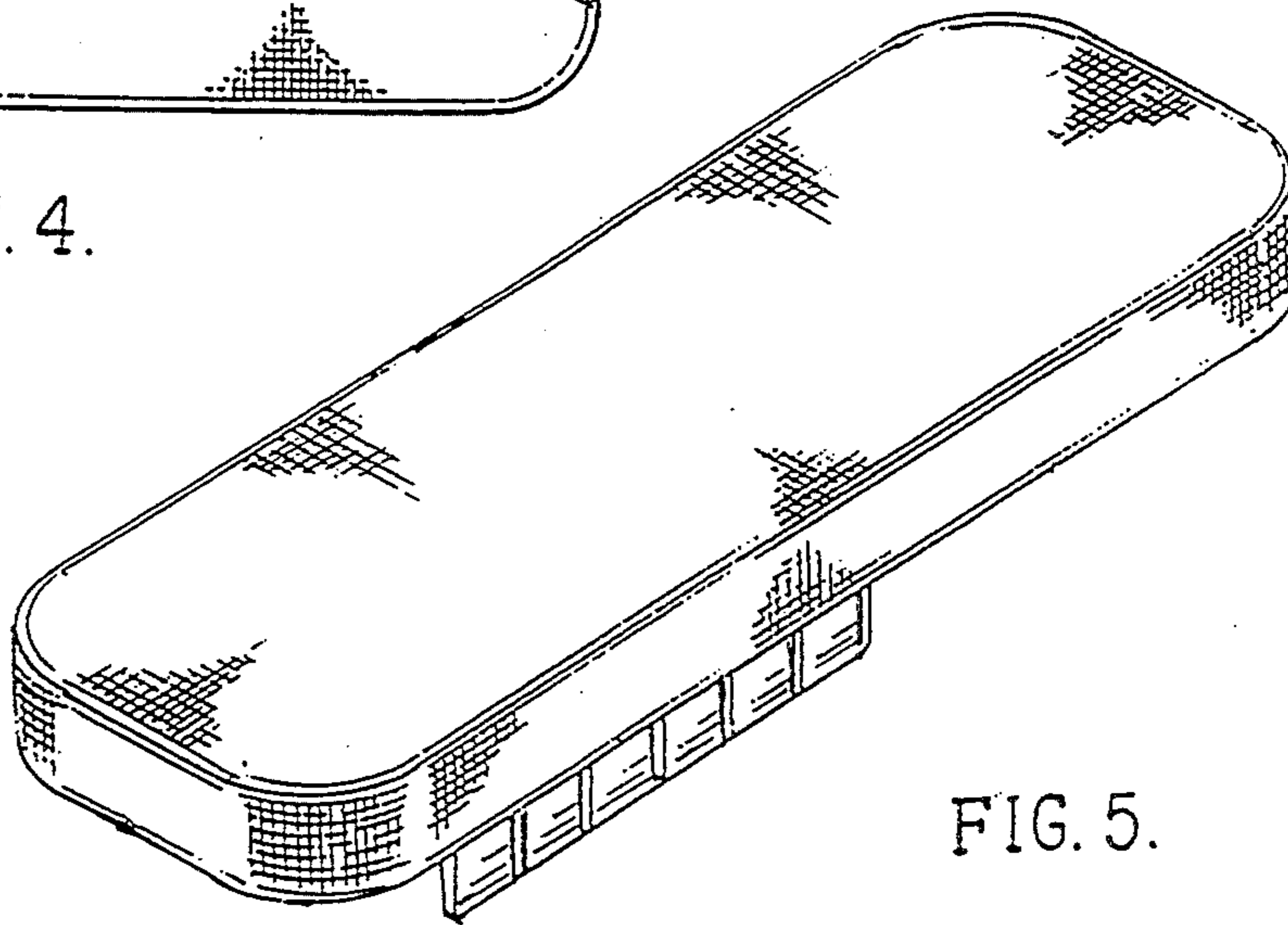


FIG. 5.