



US00D359944S

United States Patent [19]

[11] Patent Number: **Des. 359,944**

Roberts et al.

[45] Date of Patent: **** Jul. 4, 1995**

[54] **SUPPORT RACK FOR MOUNTING BETWEEN OPPOSITE SIDE VEHICLE WINDOWS**

D. 353,535	12/1994	Gruttman et al.	D8/373
4,944,544	7/1990	Duk	296/37.1
4,993,771	2/1991	Ingerson et al.	296/37.6
4,998,425	3/1991	Hoogland	294/42.42
5,083,828	1/1992	Auettura	296/37.6

[76] Inventors: **Stephen A. Roberts**, 138 Hemphill Ct.; **Dennis L. Turocy**, 1014 S. Main St., both of Summerville, S.C. 29483

Primary Examiner—Susan J. Lucas
Assistant Examiner—M. Brown
Attorney, Agent, or Firm—H. Jay Spiegel

[**] Term: **14 Years**

[21] Appl. No.: **18,569**

[57] **CLAIM**

[22] Filed: **Feb. 9, 1994**

The ornamental design for a support rack for mounting between opposite side vehicle windows, as shown and described.

[52] U.S. Cl. **D12/415**; D6/491; D8/354

[58] Field of Search D12/413, 223; D6/491, D6/495, 500-502, 513, 485, 480, 484; D8/349, 354, 373; 248/309.2, 489, 300; 128/882; 296/37.1, 37.6; 224/42.42, 42.44, 42.45 R, 315

DESCRIPTION

[56] **References Cited**

U.S. PATENT DOCUMENTS

D. 152,745	1/1949	Hueter	D12/415
D. 318,785	8/1991	Dean	D8/354
D. 329,414	9/1992	Herzig	D12/415
D. 333,421	2/1993	Patti	D8/373
D. 340,594	10/1993	Lambert	D6/491
D. 347,533	6/1994	Lambert	D6/491

FIG. 1 is a perspective view of a support rack for mounting between opposite side vehicle windows showing our new design;
FIG. 2 is a front view of the present invention;
FIG. 3 is a rear view of the present invention;
FIG. 4 is a cross sectional view of the present invention taken along line 4—4 in FIG. 3;
FIG. 5 is a side view of the present invention;
FIG. 6 is an opposite side view of the present invention;
FIG. 7 is a top view of the present invention; and,
FIG. 8 is a bottom view of the present invention.

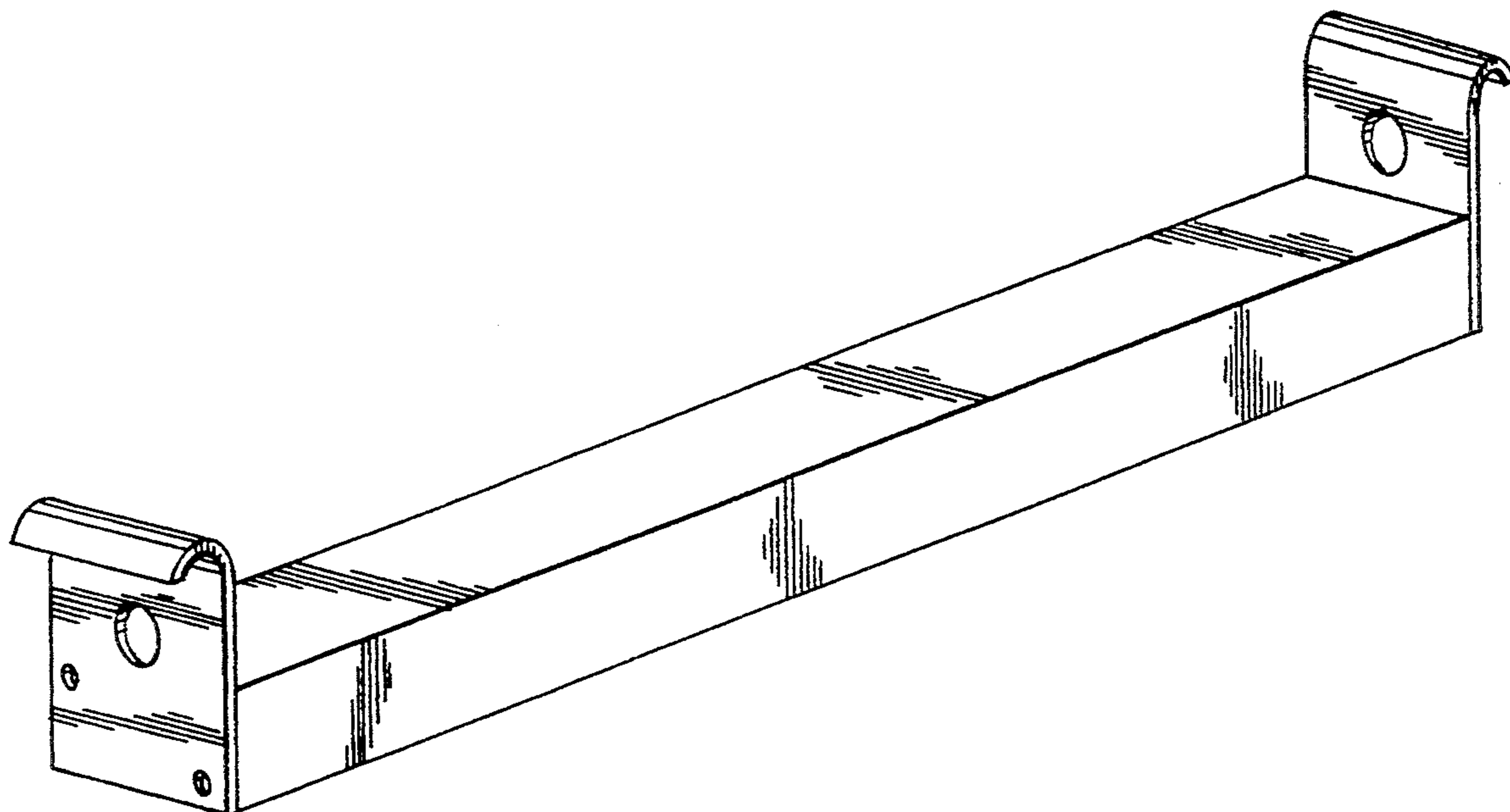


FIG. 1

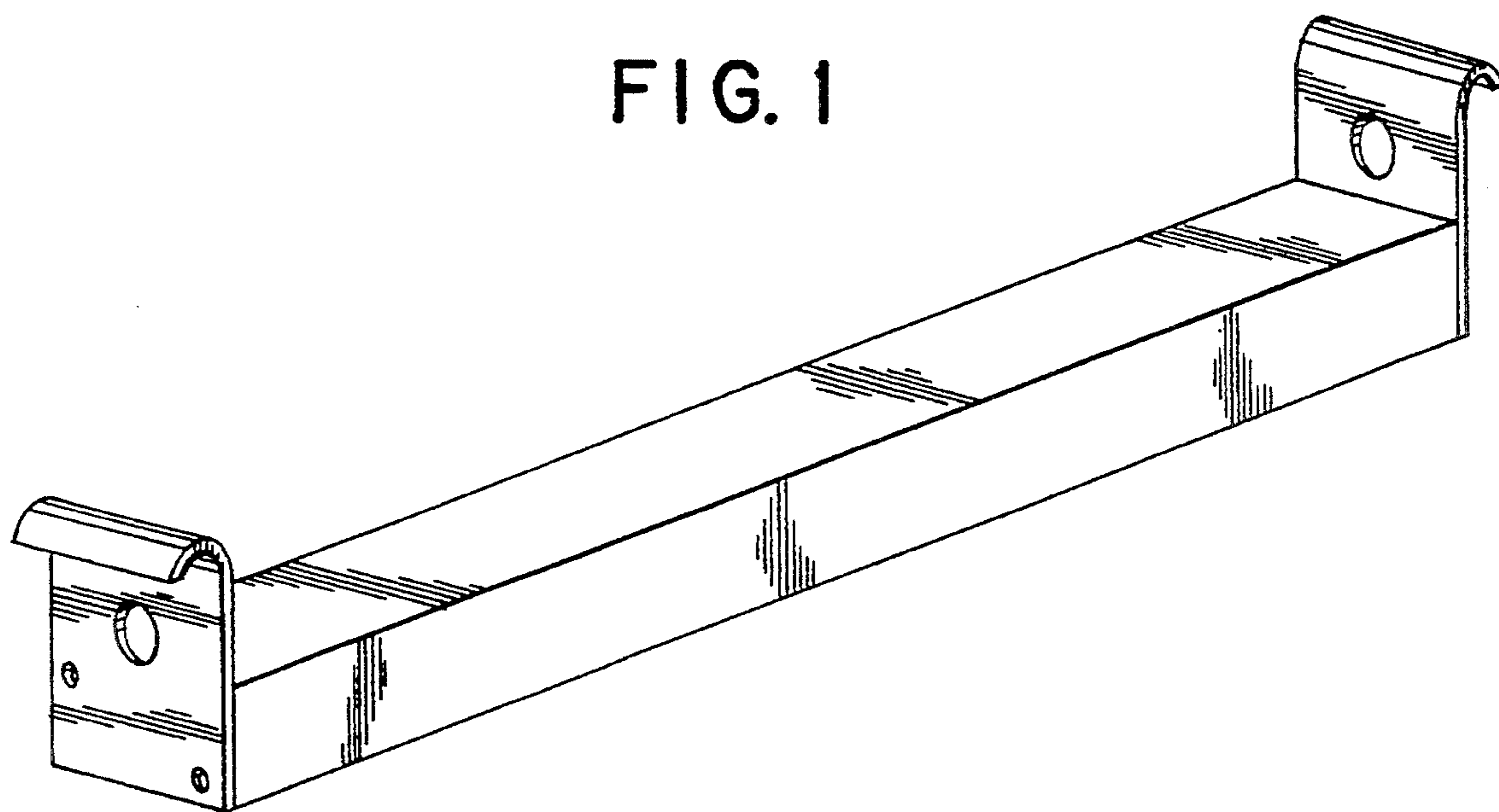


FIG. 2

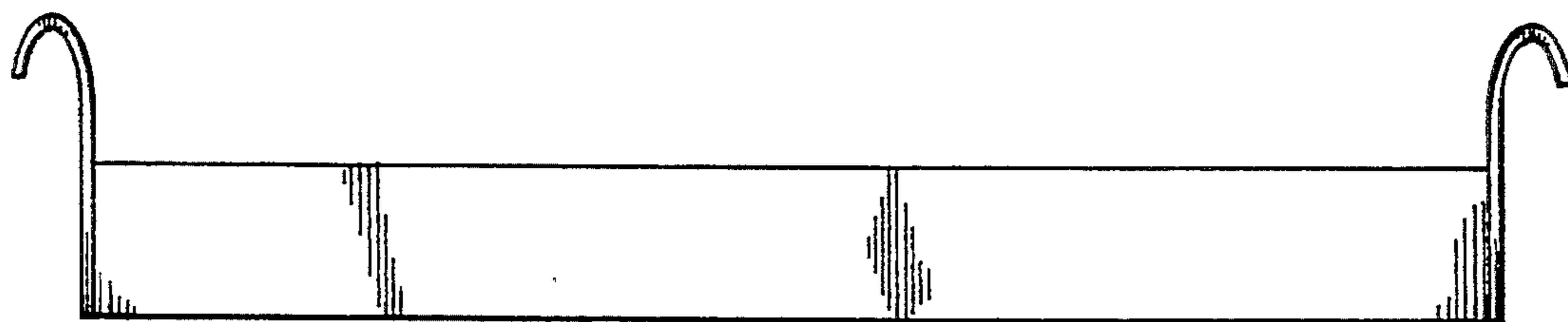


FIG. 3

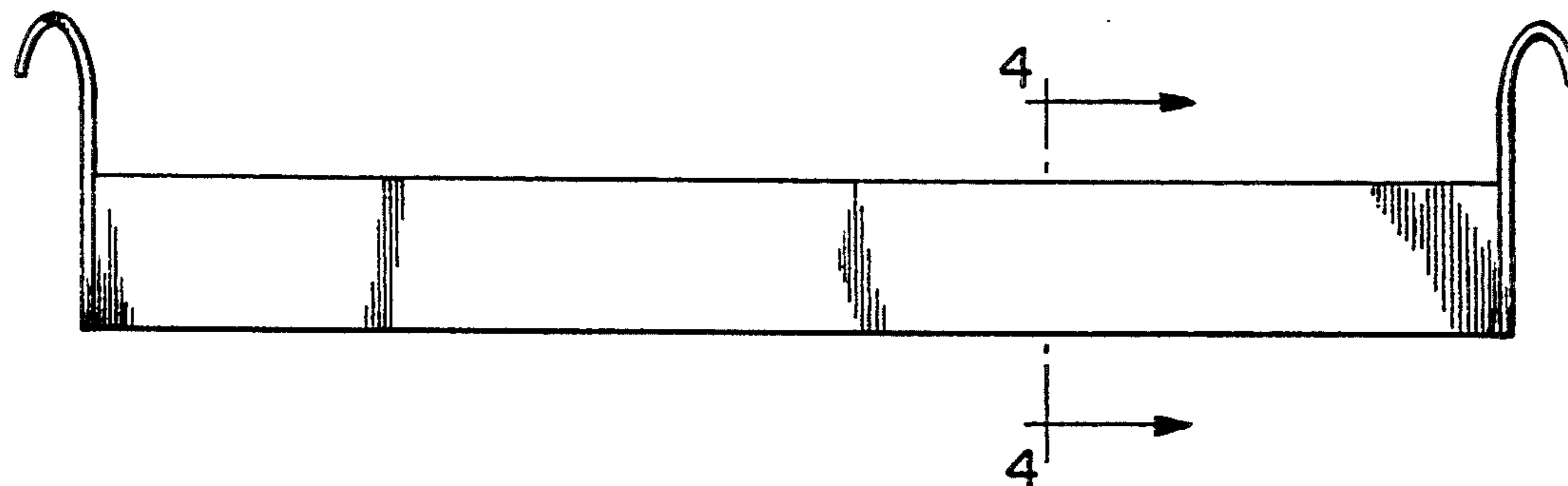


FIG. 4

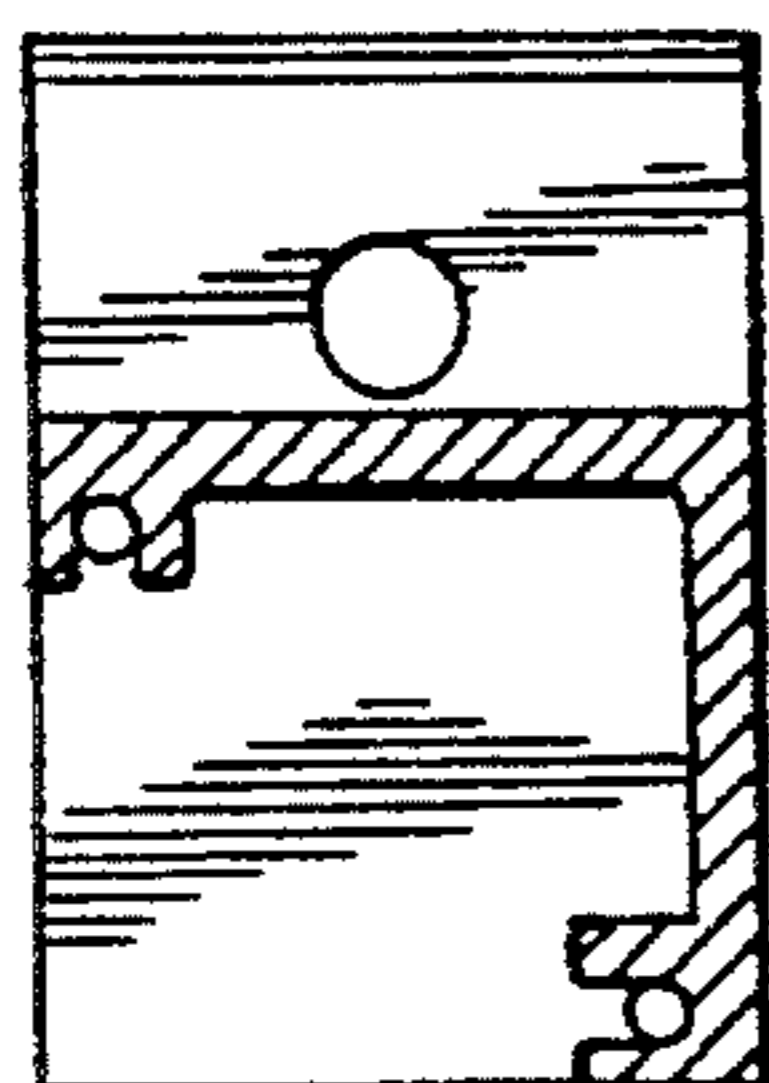


FIG. 5

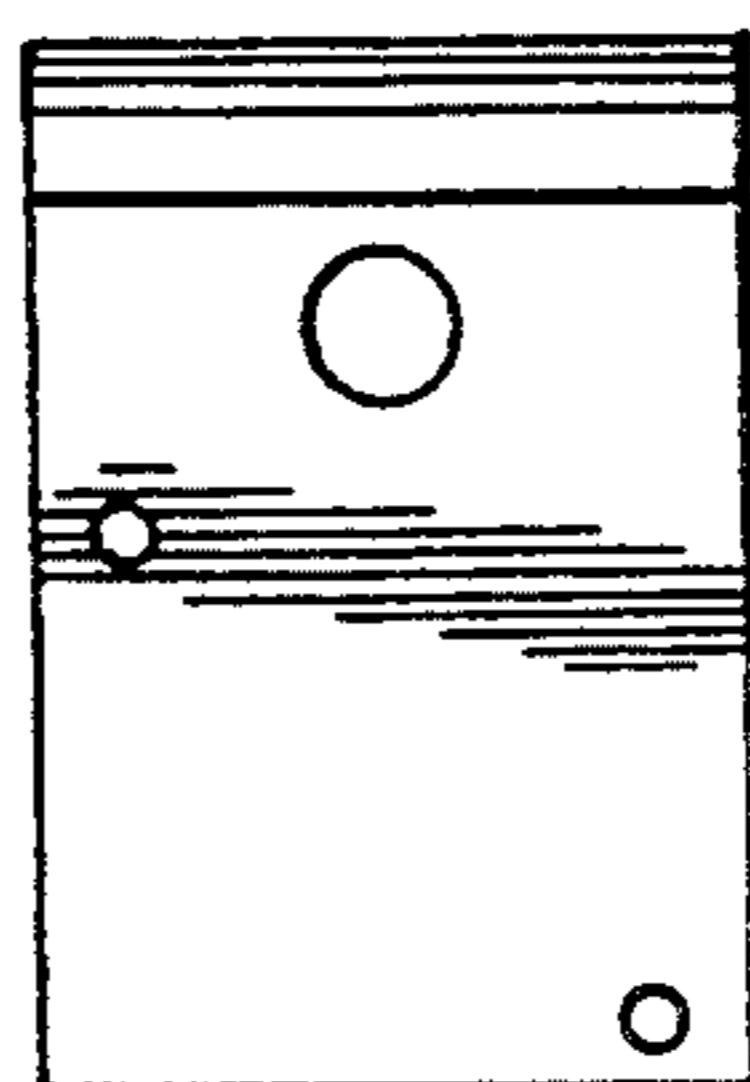


FIG. 6

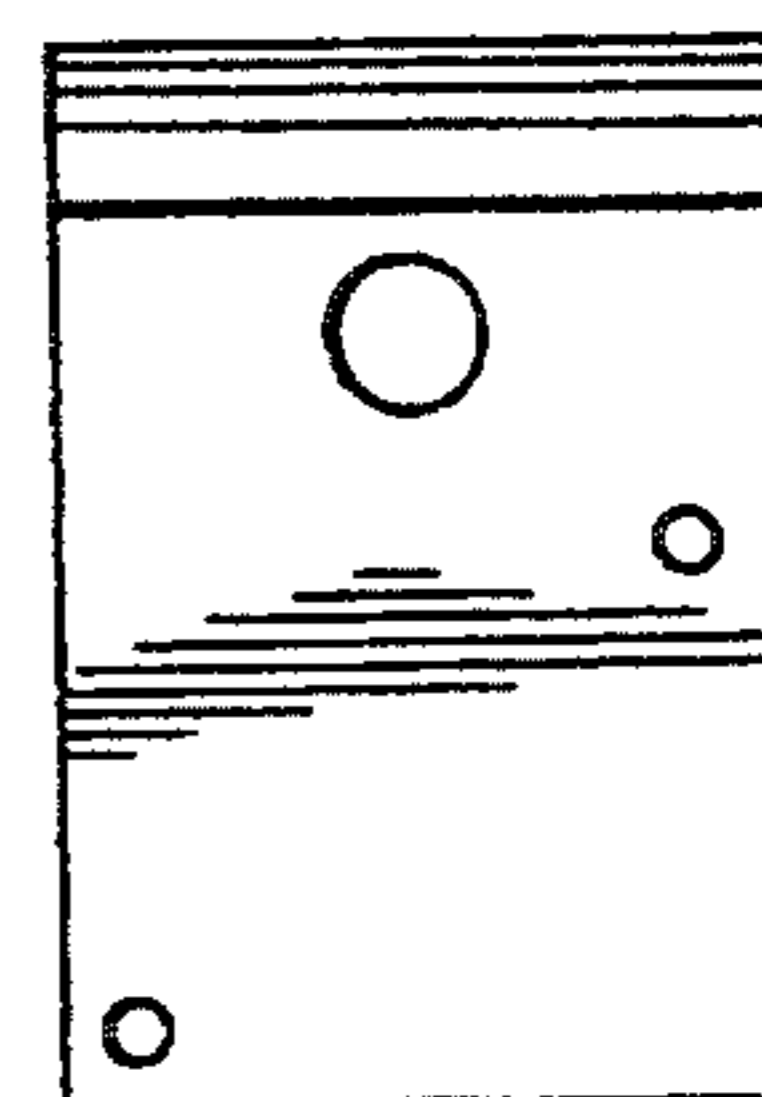


FIG. 7

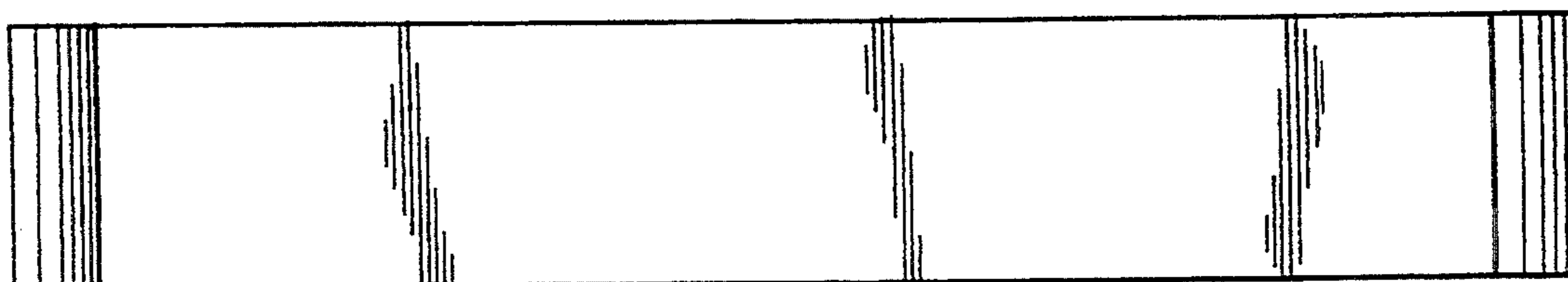


FIG. 8

