



US00D359938S

United States Patent [19]

[11] Patent Number: **Des. 359,938**

Chien

[45] Date of Patent: **** Jul. 4, 1995**

[54] **WHEEL RIM FOR BABY STROLLERS**

D. 326,838 6/1992 Julien D12/211
D. 350,523 9/1994 Möbius D12/209

[75] Inventor: **Jui-Lung Chien**, Taichung, Taiwan

Primary Examiner—Kay H. Chin

[73] Assignee: **Jina Manufacturer Thai Co., Ltd.**,
Bangkok, Thailand

Attorney, Agent, or Firm—Morton J. Rosenberg; David
I. Klein

[**] Term: **14 Years**

[57] **CLAIM**

[21] Appl. No.: **27,185**

The ornamental design for a wheel rim for baby strollers, as shown.

[22] Filed: **Aug. 12, 1994**

DESCRIPTION

[52] U.S. Cl. **D12/209; D12/211;**
D12/133

[58] Field of Search D12/211, 209, 205, 129,
D12/133; 301/64.7, 63.1, 64.1, 108.1; 152/323

FIG. 1 is a perspective view of a wheel rim for baby strollers showing my design;

FIG. 2 is a right side elevational view thereof;

FIG. 3 is a left side elevational view thereof;

FIG. 4 is a rear view thereof;

FIG. 5 is a front view thereof;

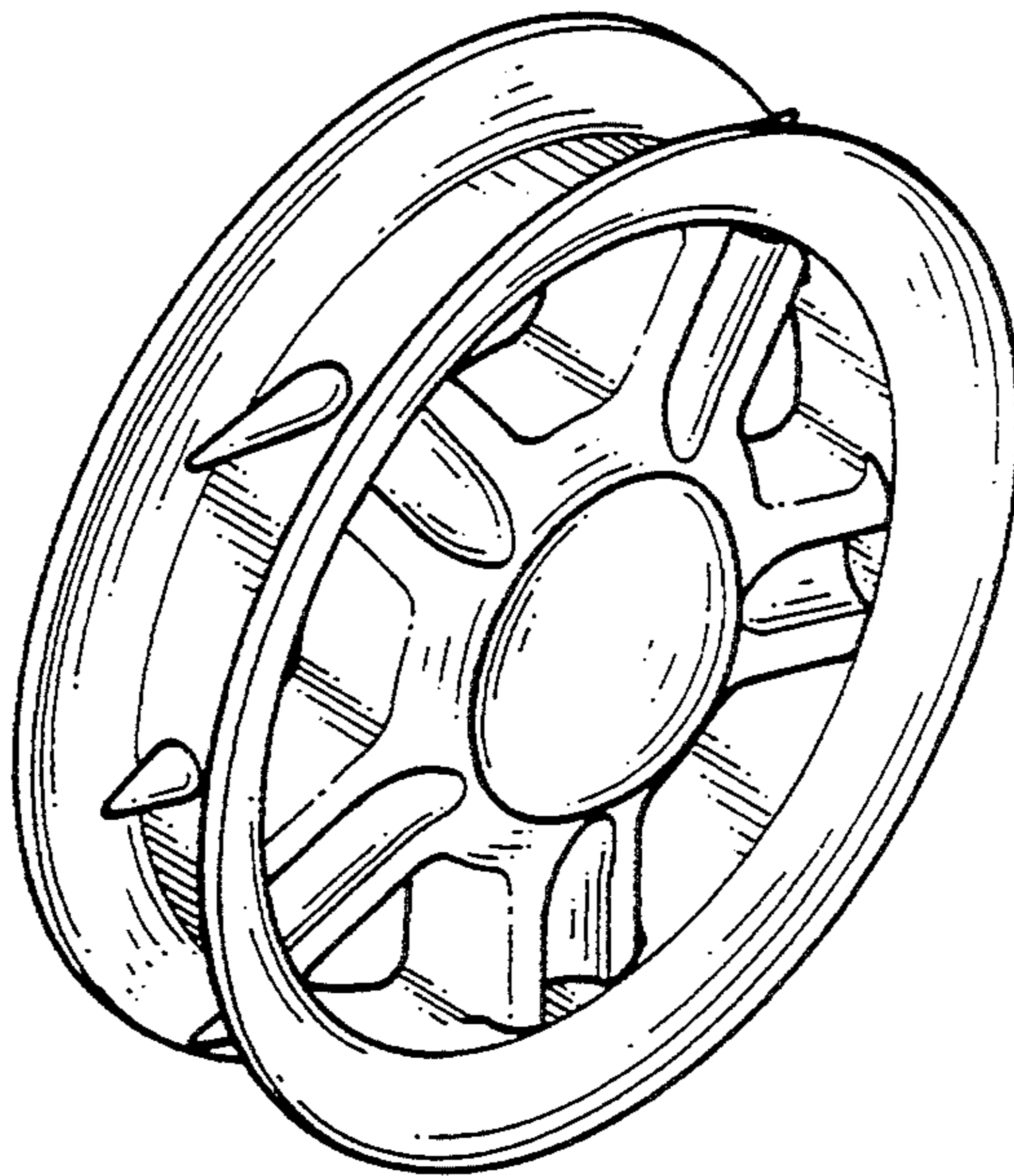
FIG. 6 is a top plan view thereof; and,

FIG. 7 is a bottom plan view thereof.

[56] **References Cited**

U.S. PATENT DOCUMENTS

D. 302,264 7/1989 Soederberg D12/209



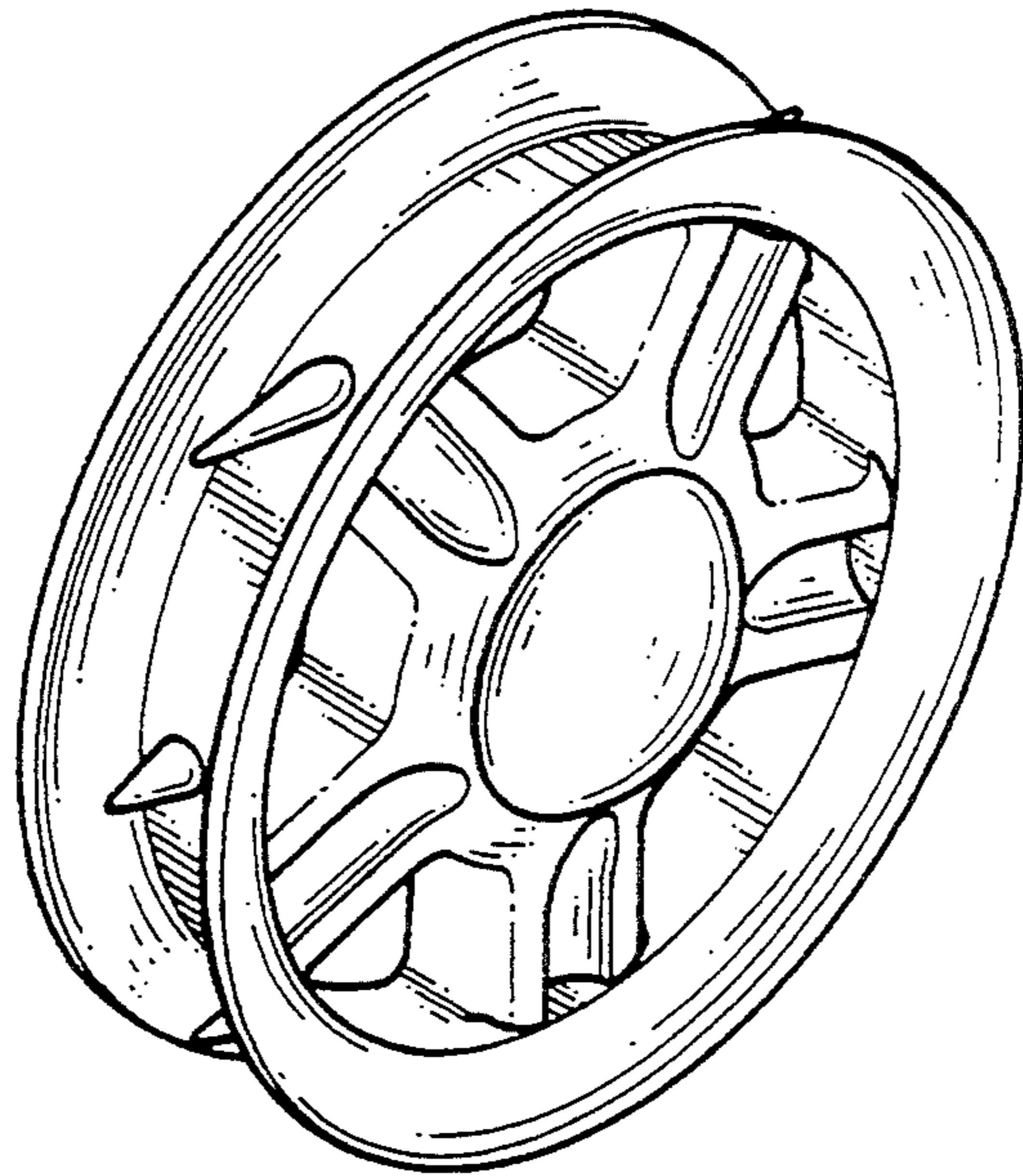


FIG. 1

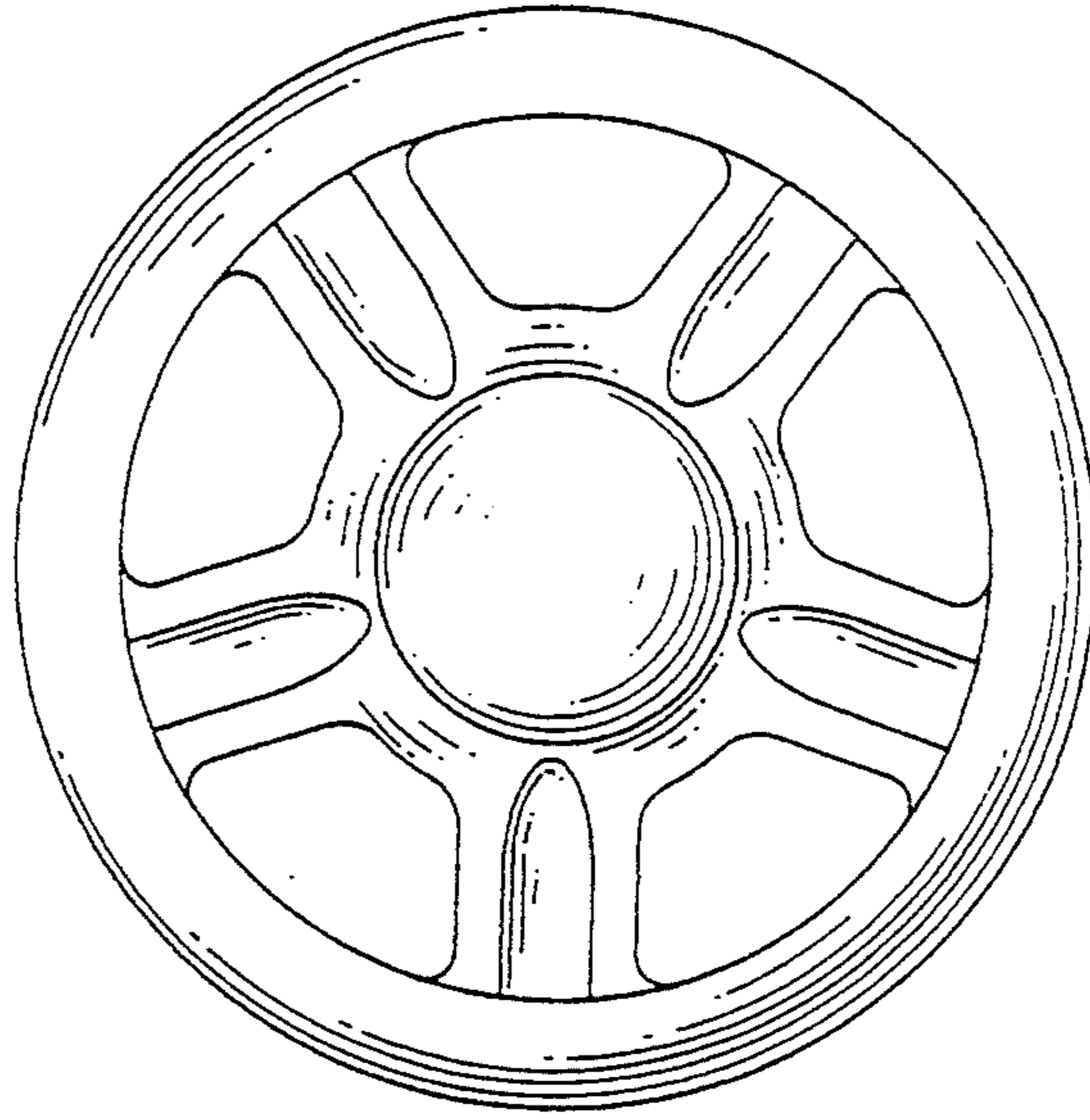


FIG. 2

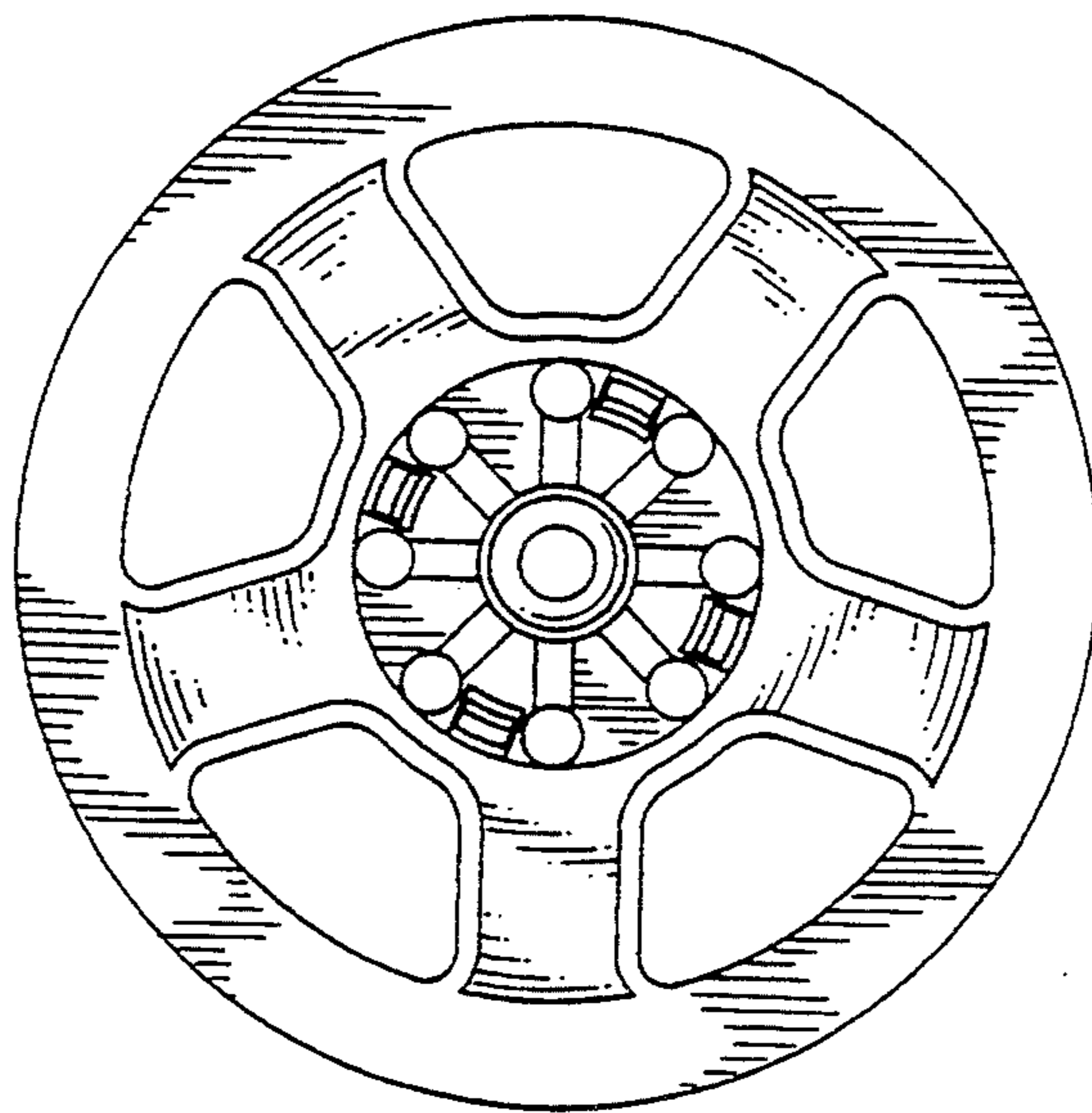


FIG. 3

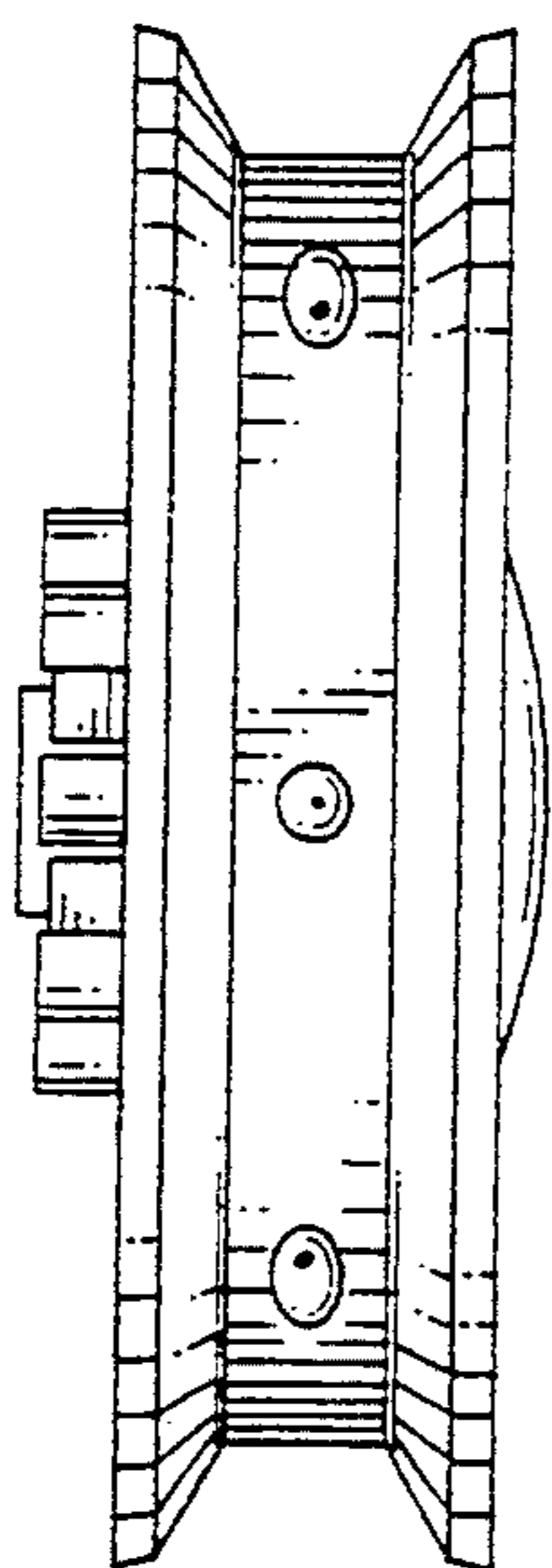


FIG. 5

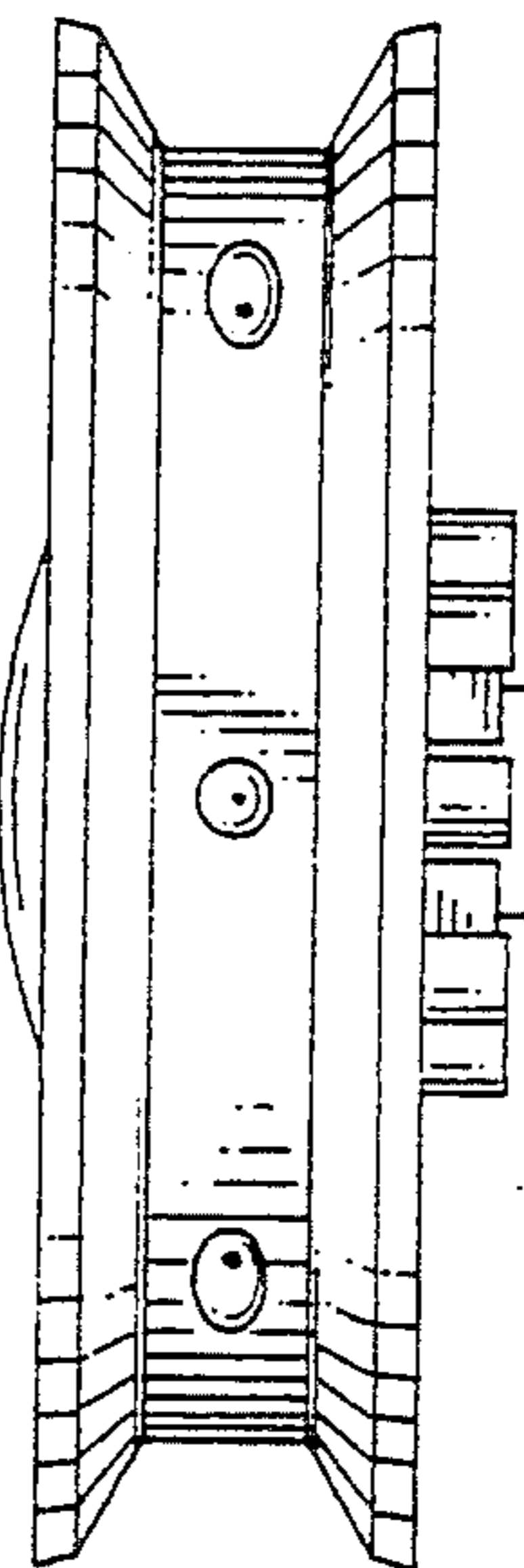


FIG. 4

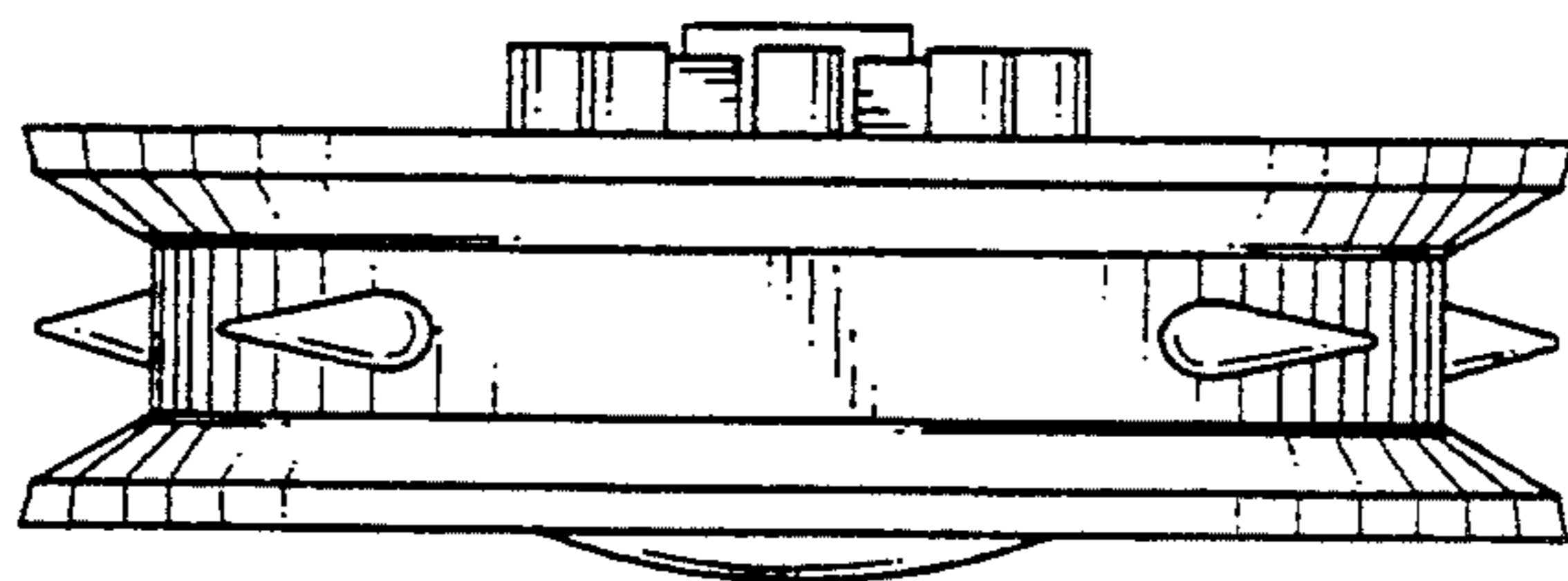


FIG. 6

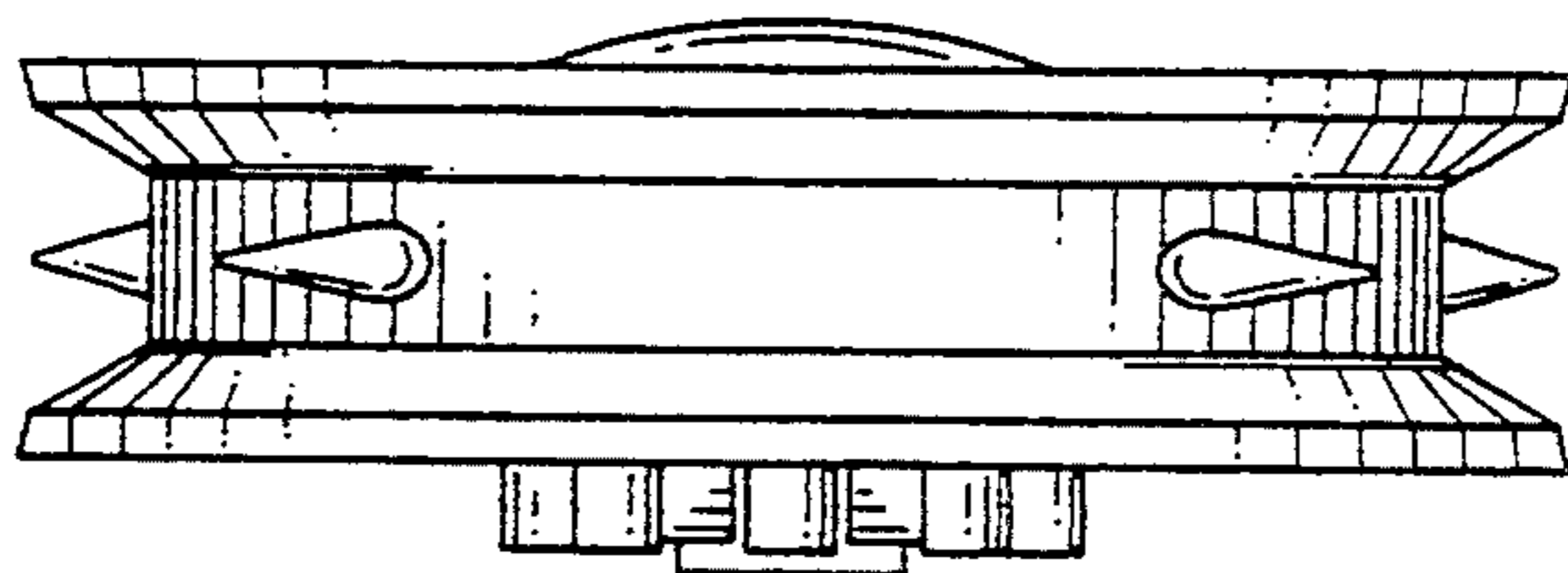


FIG. 7