



US00D359937S

United States Patent [19]

[11] Patent Number: **Des. 359,937**

Yoshie et al.

[45] Date of Patent: **** Jul. 4, 1995**

[54] **BABY STROLLER**

[56] **References Cited**

[75] Inventors: **Toshiro Yoshie; Tsutomu Nagai; Hiroaki Matsuda; Hitoshi Nakamura,**
all of Tokyo, Japan

D. 305,316	1/1990	Lin	D12/129
D. 311,363	10/1990	Lin	D12/129
D. 321,850	11/1991	Mong-Hsing	D12/129
D. 328,047	7/1992	Huang	D12/129

[73] Assignee: **Combi Corporation, Tokyo, Japan**

Primary Examiner—Kay H. Chin
Attorney, Agent, or Firm—Sughrue, Mion, Zinn,
Macpeak & Seas

[**] Term: **14 Years**

[57] **CLAIM**

[21] Appl. No.: **19,640**

The ornamental design for a baby stroller, as shown.

[22] Filed: **Mar. 8, 1994**

DESCRIPTION

[30] **Foreign Application Priority Data**

Sep. 8, 1993 [JP] Japan 5-27067

[52] U.S. Cl. **D12/129; D12/128**

[58] Field of Search **D12/128, 129;**
280/47.35, DIG. 4, 648, 642, 643, 647, 650, 30,
42

FIG. 1 is a perspective view of the top, front and right side of a baby stroller showing our new design;
FIG. 2 is a front elevational view thereof;
FIG. 3 is a rear elevational view thereof;
FIG. 4 is a side elevational view of the left side thereof;
FIG. 5 is a side elevational view of the right side thereof;
FIG. 6 is a top plan view thereof; and,
FIG. 7 is a bottom plan view thereof.



Fig. 1



Fig. 2

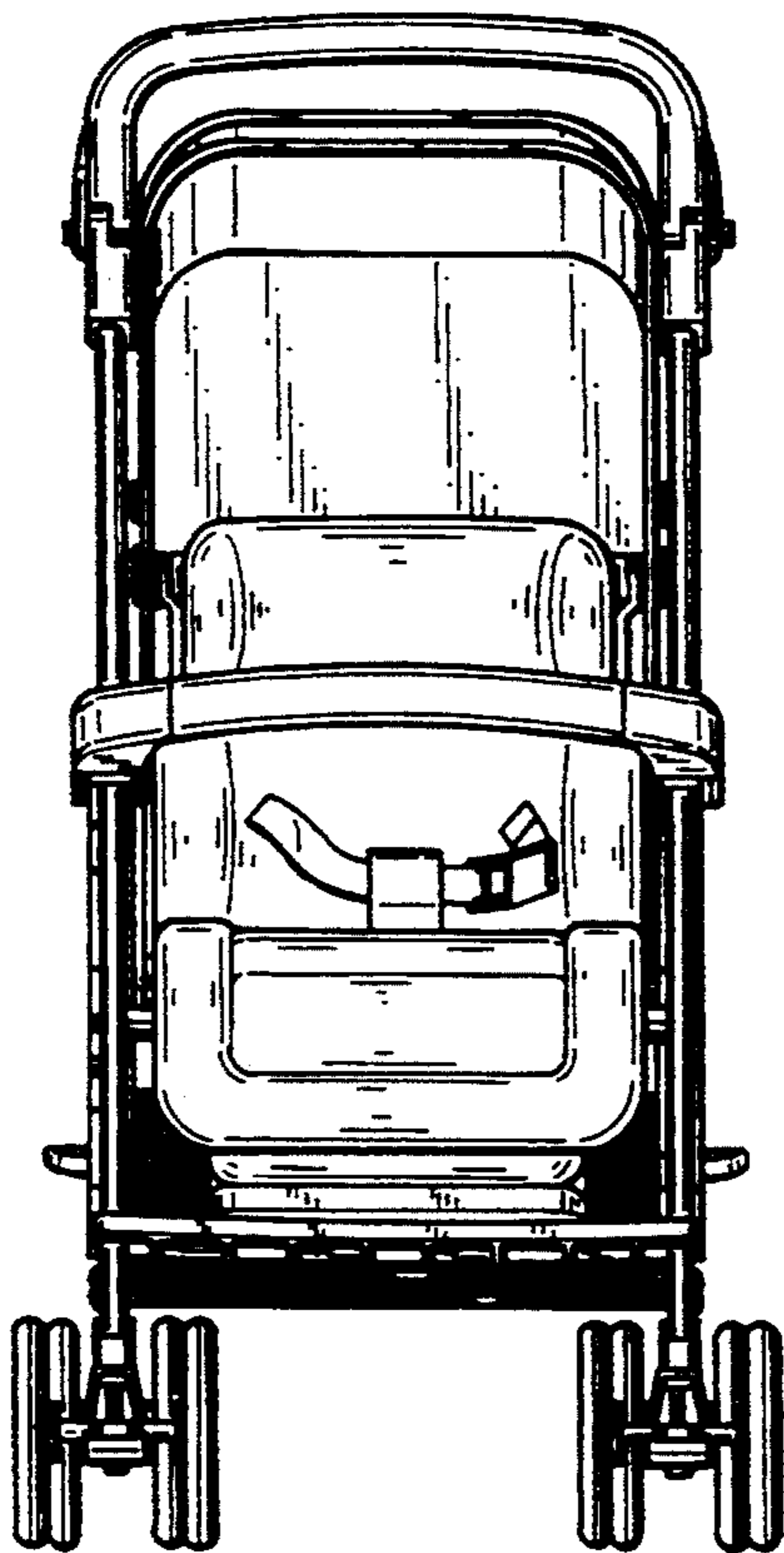


Fig. 3

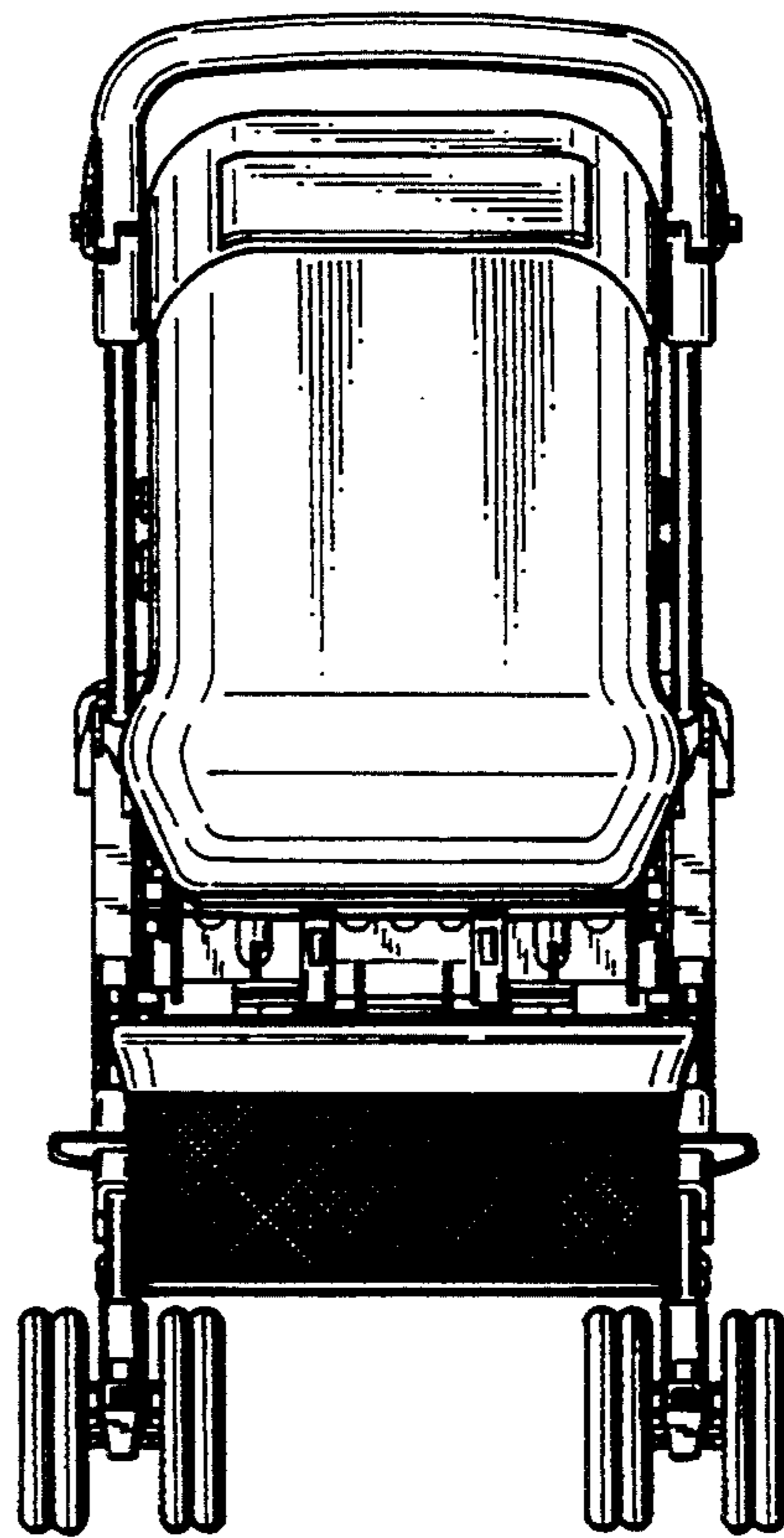


Fig. 4

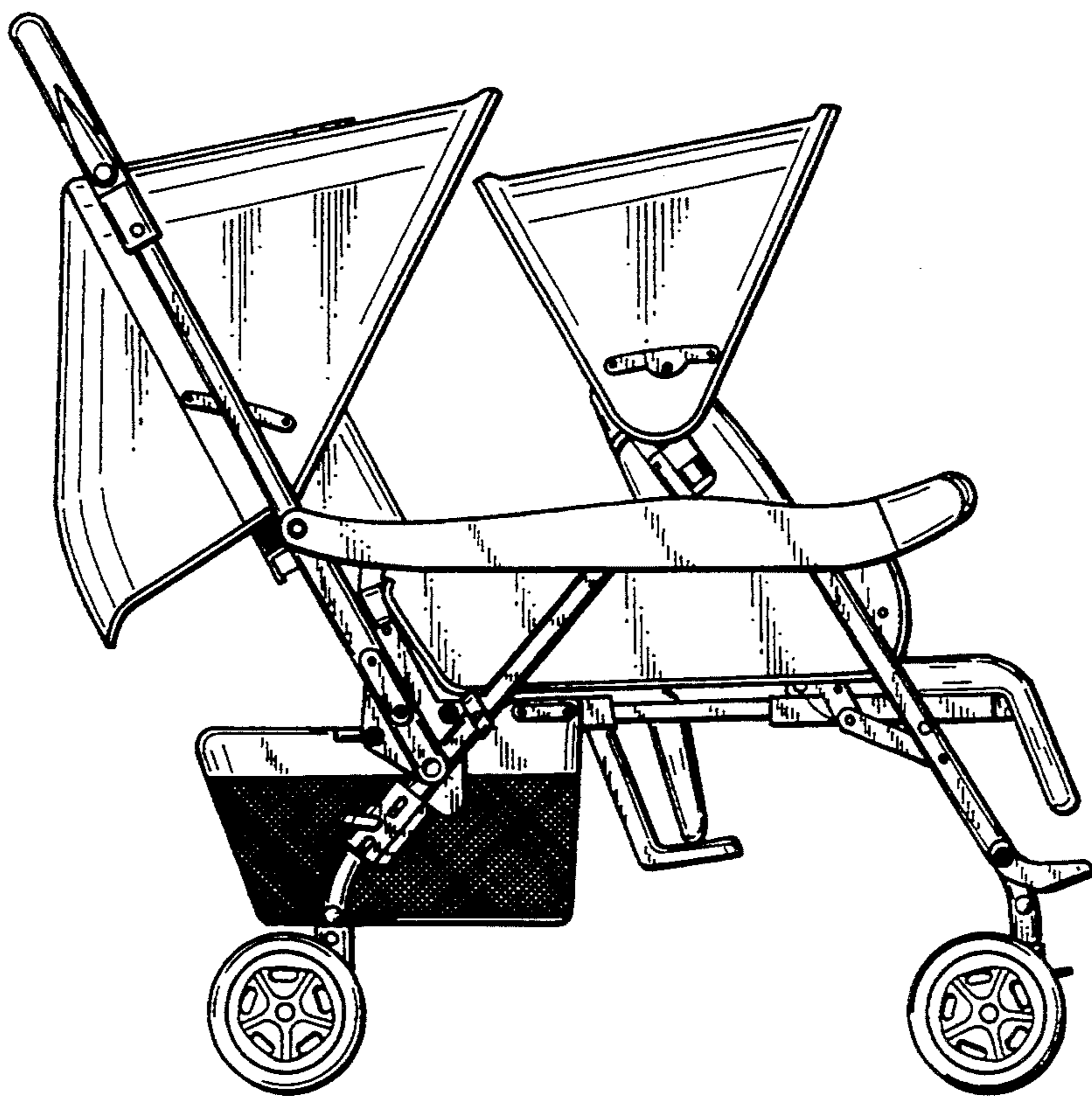


Fig. 5

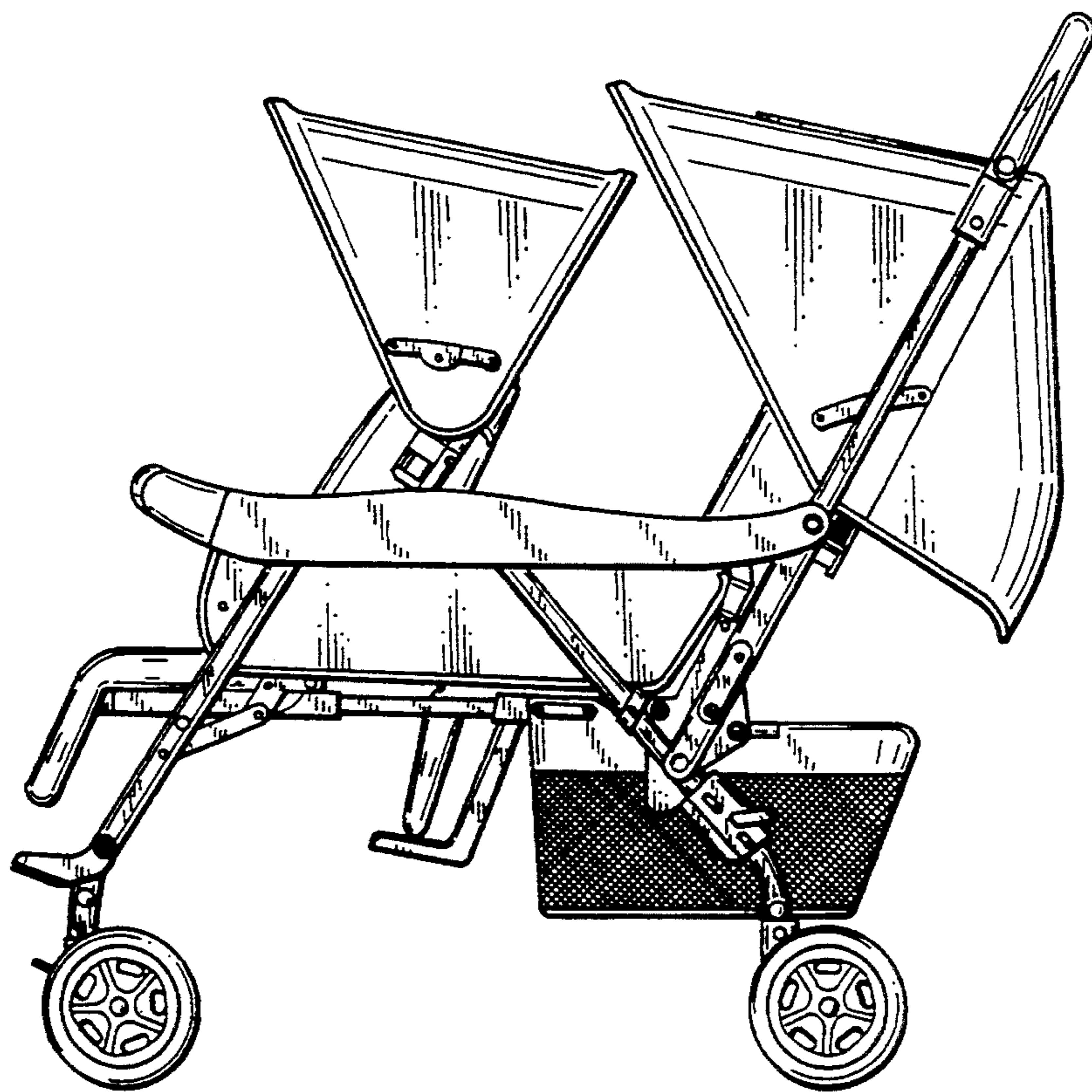


Fig. 6

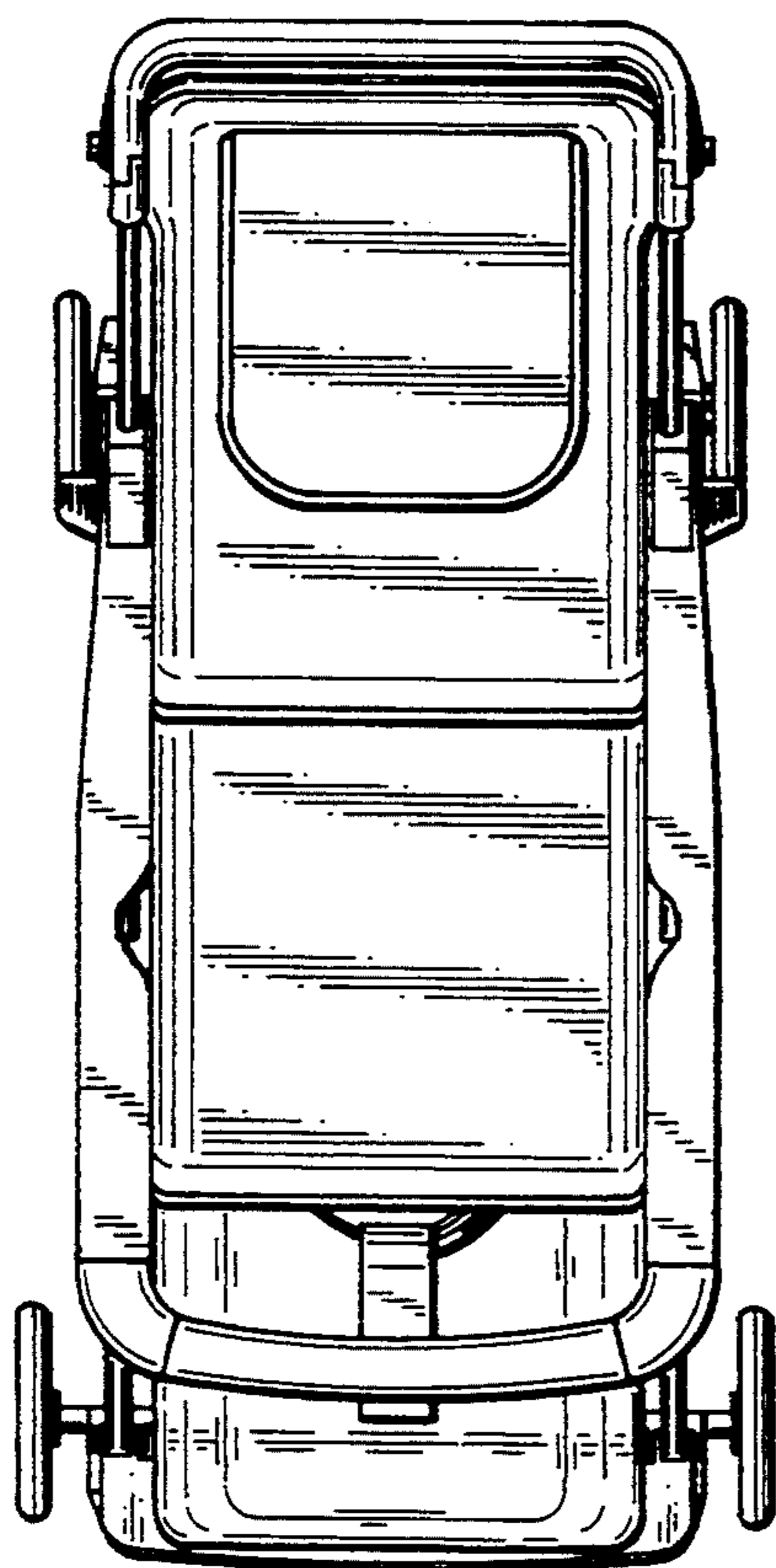


Fig. 7

