



US00D359935S

United States Patent [19]

[11] Patent Number: **Des. 359,935**

Thompson

[45] Date of Patent: **** Jul. 4, 1995**

[54] **BICYCLE FRAME**

[75] Inventor: **Walter G. Thompson**, Tustin, Calif.

[73] Assignee: **Motiv Sports, Inc.**, Santa Ana, Calif.

[**] Term: **14 Years**

[21] Appl. No.: **10,301**

[22] Filed: **Jul. 1, 1993**

[52] U.S. Cl. **D12/111**

[58] Field of Search **D12/111; 280/281.1, 280/288.1, 288.3, 288.2**

[56] **References Cited**

U.S. PATENT DOCUMENTS

D. 326,630 6/1992 Tan **D12/111**

OTHER PUBLICATIONS

American Bicyclist & Motorcyclist, Feb. 1992, the A-Pro bicycle frame.

Primary Examiner—James M. Gandy

Assistant Examiner—Melody Brown

Attorney, Agent, or Firm—Spensley Horn Jubas & Lubitz

[57] **CLAIM**

The ornamental design for a bicycle frame, as shown and described.

DESCRIPTION

FIG. 1 is a perspective view of the bicycle frame of the present invention;

FIG. 2 is a front view of the bicycle frame;

FIG. 3 is a right side view of the bicycle frame;

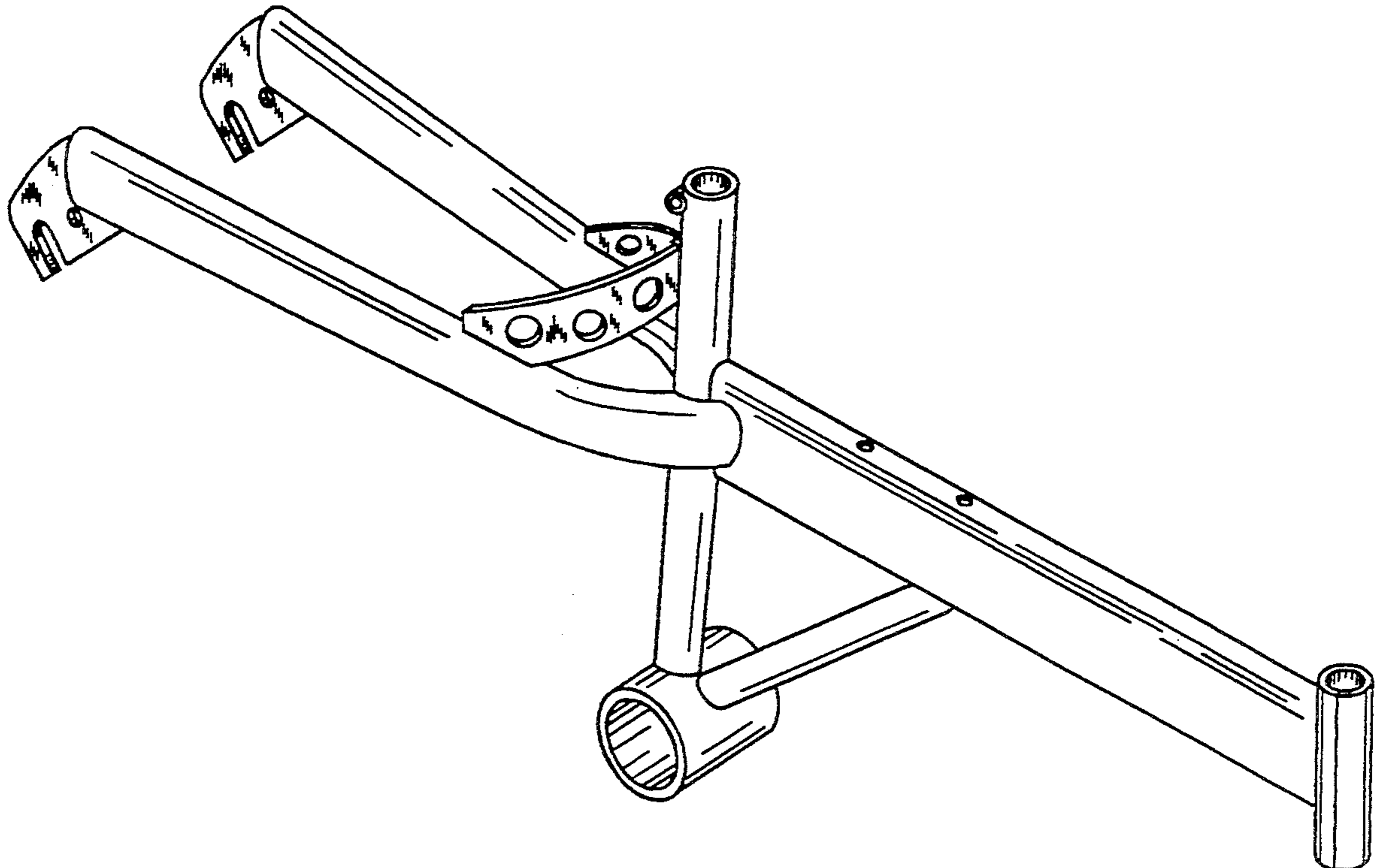
FIG. 4 is a top view of the bicycle frame;

FIG. 5 is a left side view of the bicycle frame;

FIG. 6 is a bottom view of the bicycle frame;

FIG. 7 is a back view of the bicycle frame; and,

FIG. 8 is a right side view of the bicycle frame, the broken lines are shown for illustrative purposes only and form no part of the claimed design.



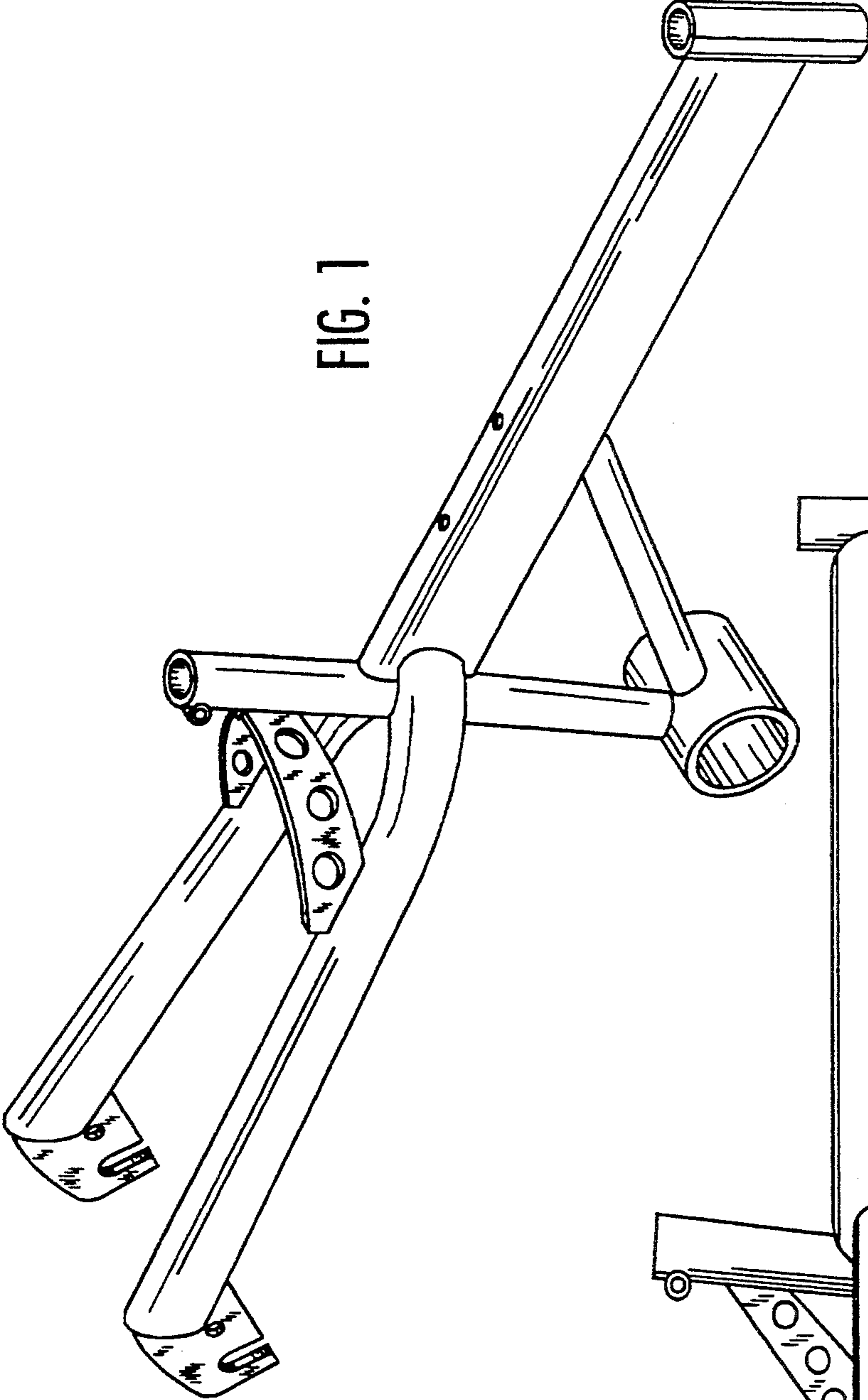


FIG. 1

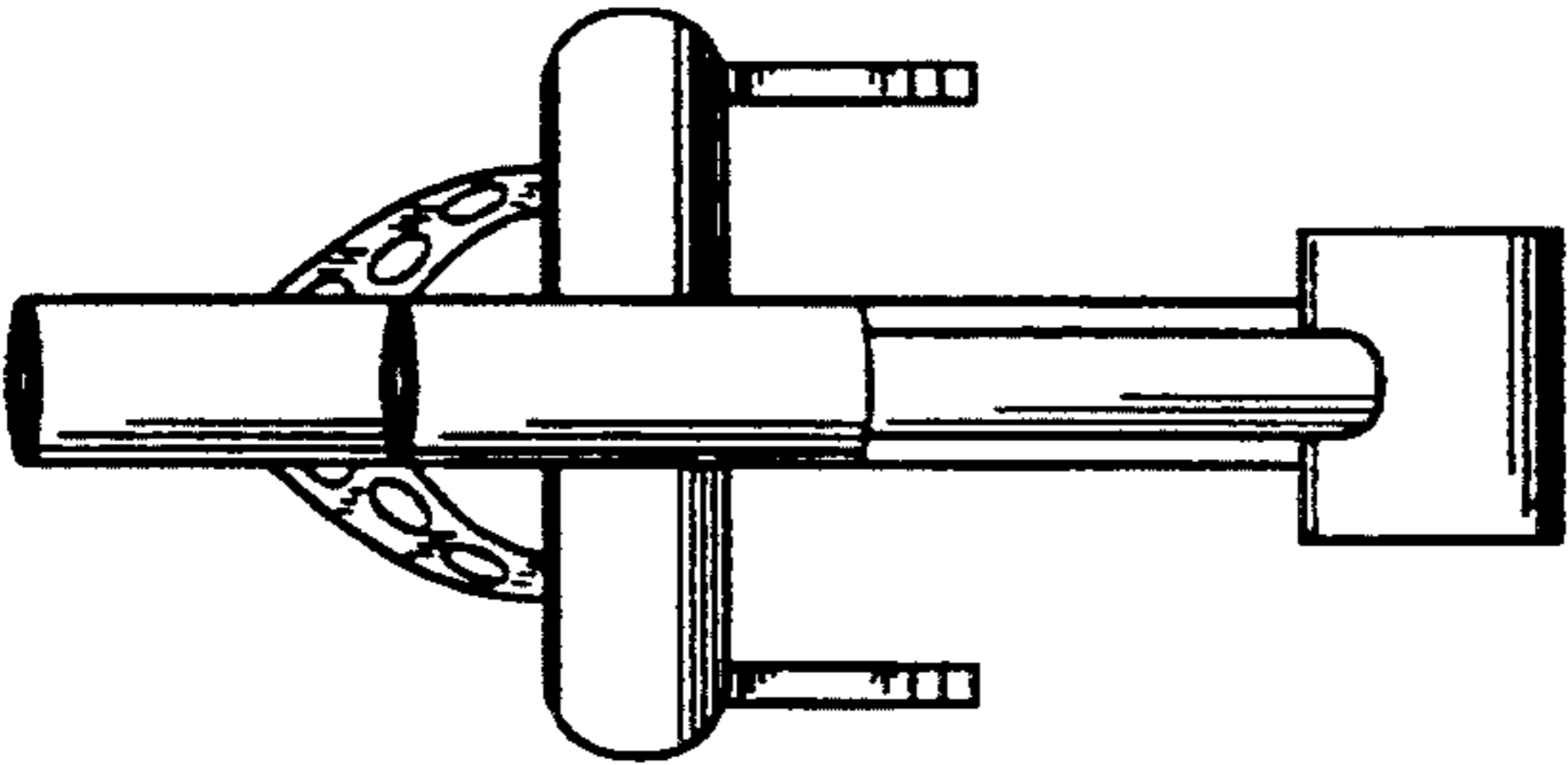


FIG. 2

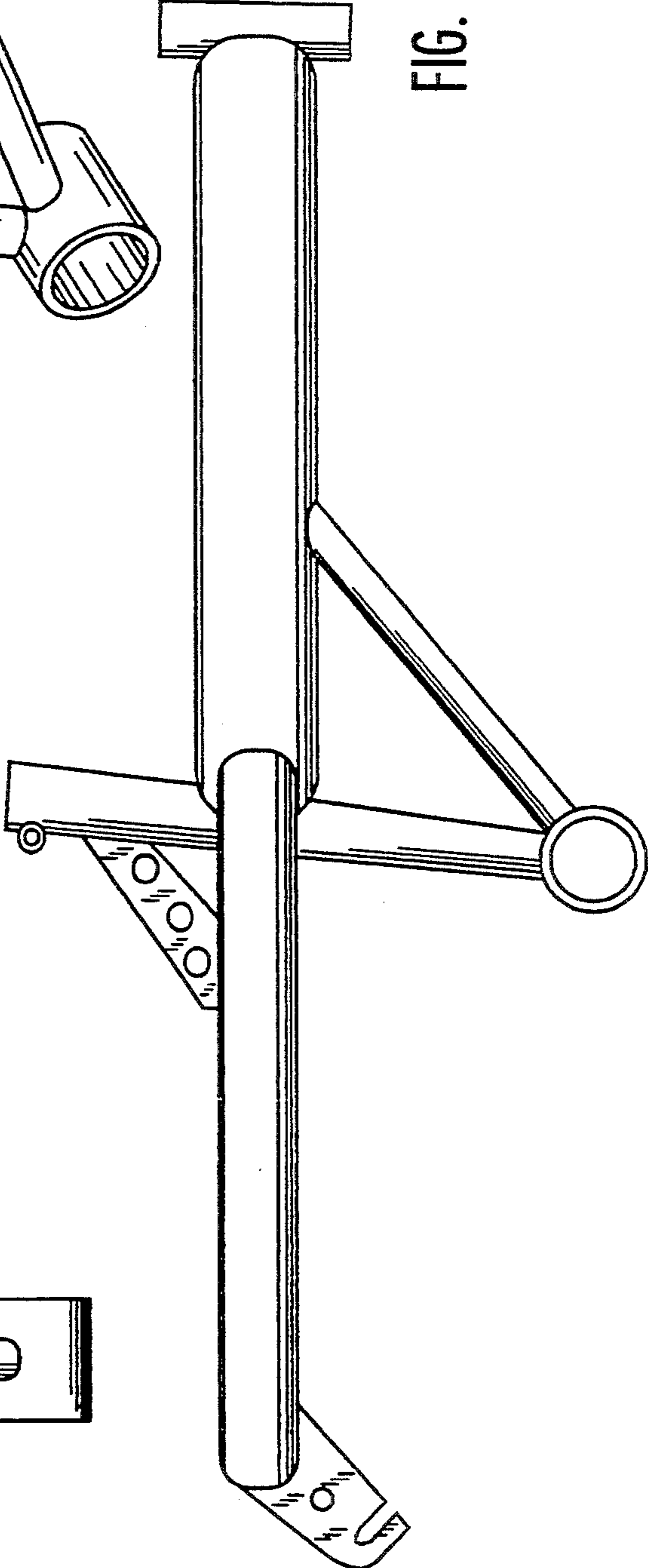


FIG. 3

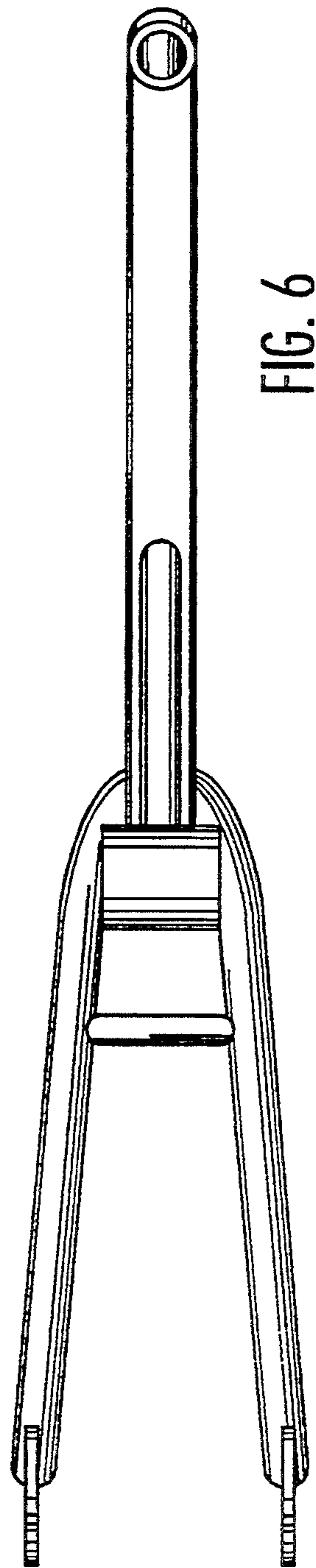
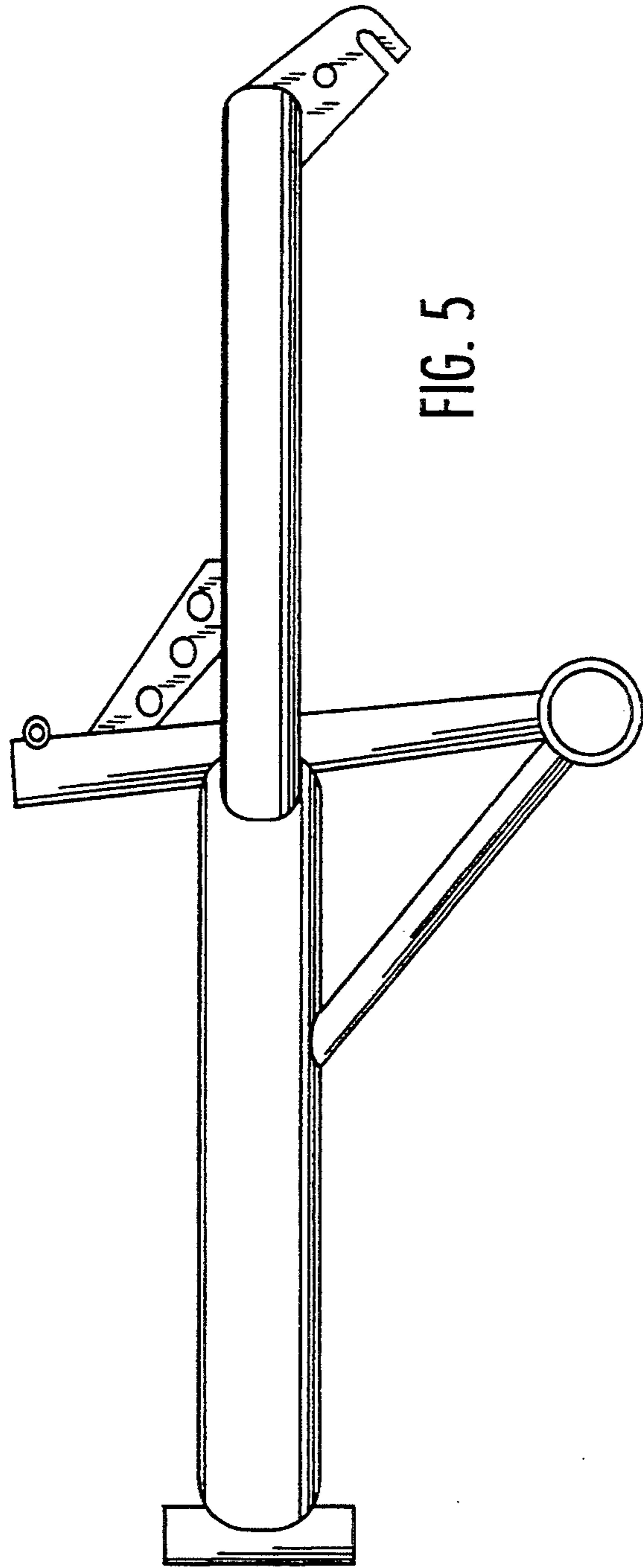
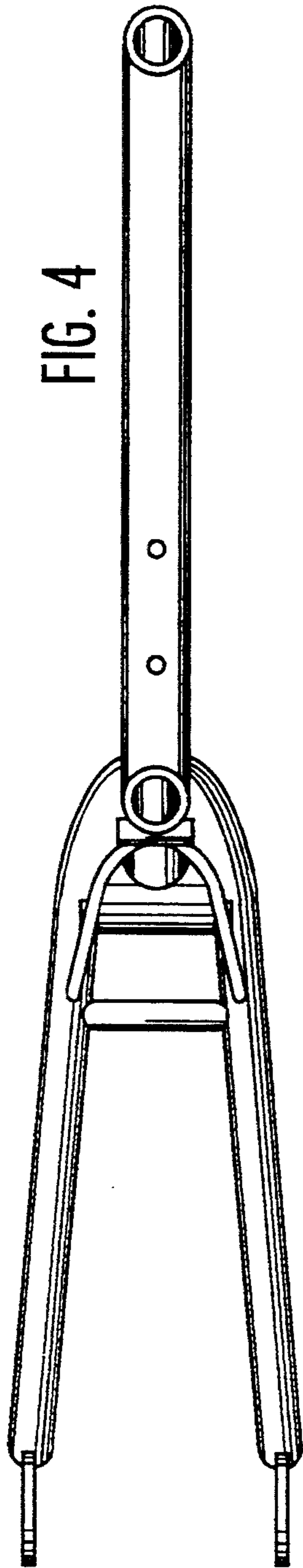


FIG. 8

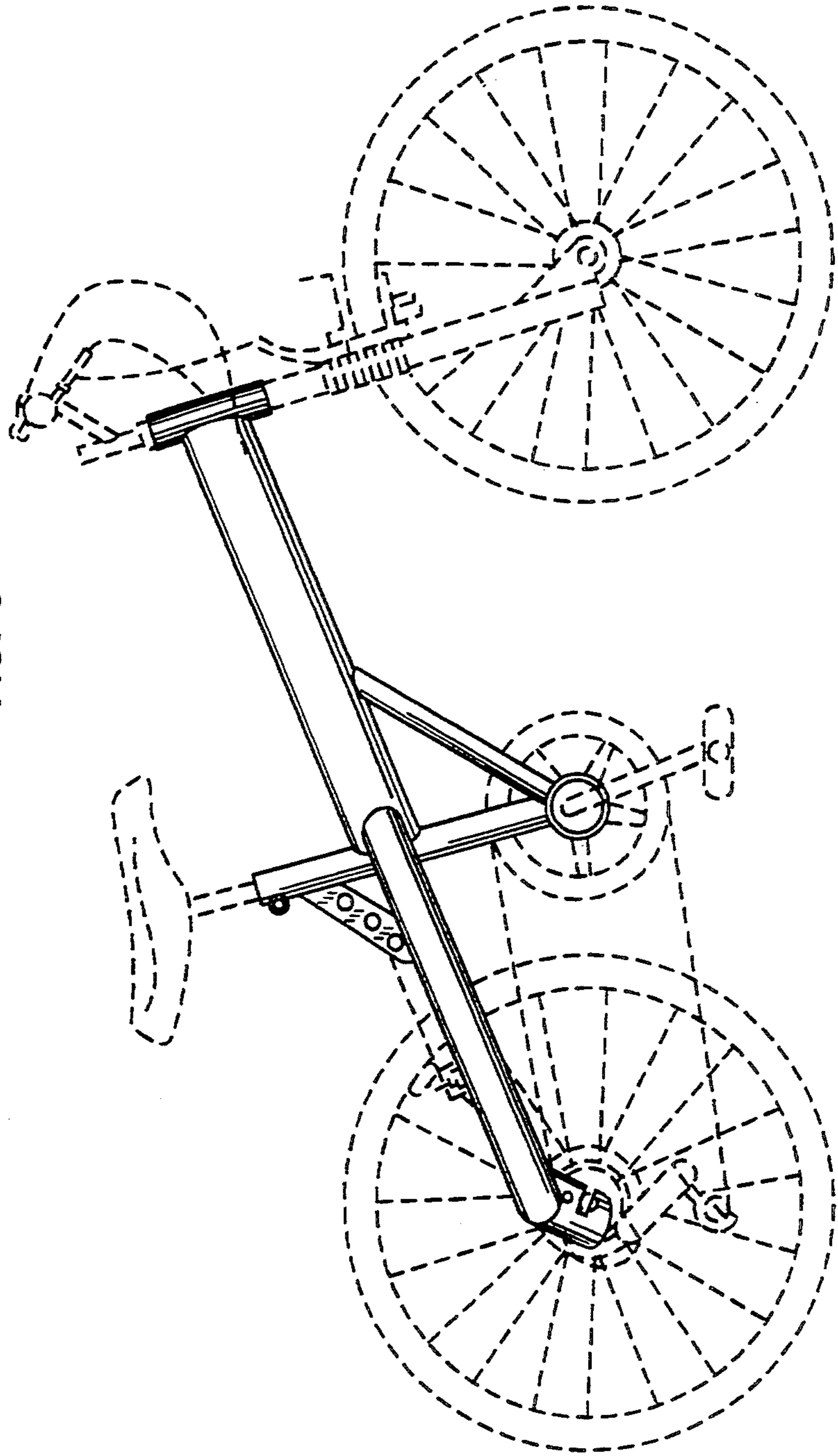


FIG. 7

