



US00D359928S

# United States Patent [19]

[11] Patent Number: **Des. 359,928**

Ilaria et al.

[45] Date of Patent: **\*\* Jul. 4, 1995**

[54] AWARD PLAQUE

D. 330,525 10/1992 Grindley, Jr. .... D11/132

[75] Inventors: **Peter V. Ilaria**, East Hanover;  
**William Macowski**, Caldwell, both of N.J.

*Primary Examiner*—Theodore M. Shooman  
*Assistant Examiner*—Dominic Simone  
*Attorney, Agent, or Firm*—Gottlieb, Rackman & Reisman

[73] Assignee: **Tropar Manufacturing Company, Inc.**, Florham Park, N.J.

[57] **CLAIM**

[\*] Notice: The portion of the term of this patent subsequent to Apr. 25, 2009 has been disclaimed.

The ornamental design for a award plaque, as shown and described.

[\*\*] Term: **14 Years**

**DESCRIPTION**

[21] Appl. No.: **22,494**

FIG. 1 is a perspective view of an award plaque showing our new design;

[22] Filed: **May 5, 1994**

FIG. 2 is an enlarged front elevational view thereof;

[52] U.S. Cl. .... **D11/132**

FIG. 3 is an enlarged right side elevational view thereof;

[58] Field of Search ..... **D11/131, 132; D6/300; 428/542.2, 542.4, 913.3**

FIG. 4 is an enlarged rear elevational view thereof;

[56] **References Cited**

**U.S. PATENT DOCUMENTS**

- D. 268,634 4/1983 Fontana ..... D11/132 X
- D. 320,364 10/1991 Hernandez ..... D11/131
- D. 321,491 11/1991 Stagl ..... D11/132

FIG. 5 is an enlarged bottom plan view thereof;

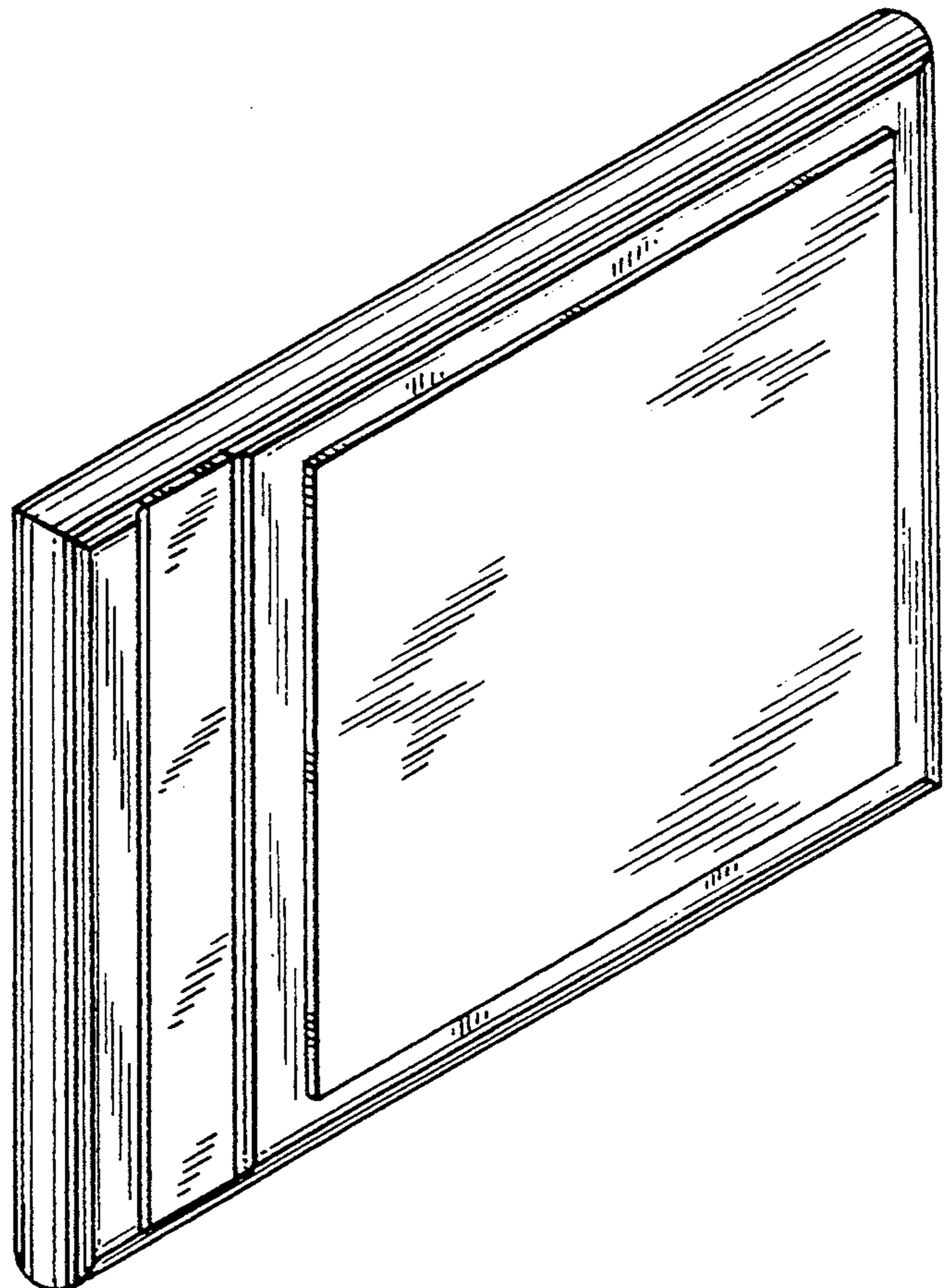
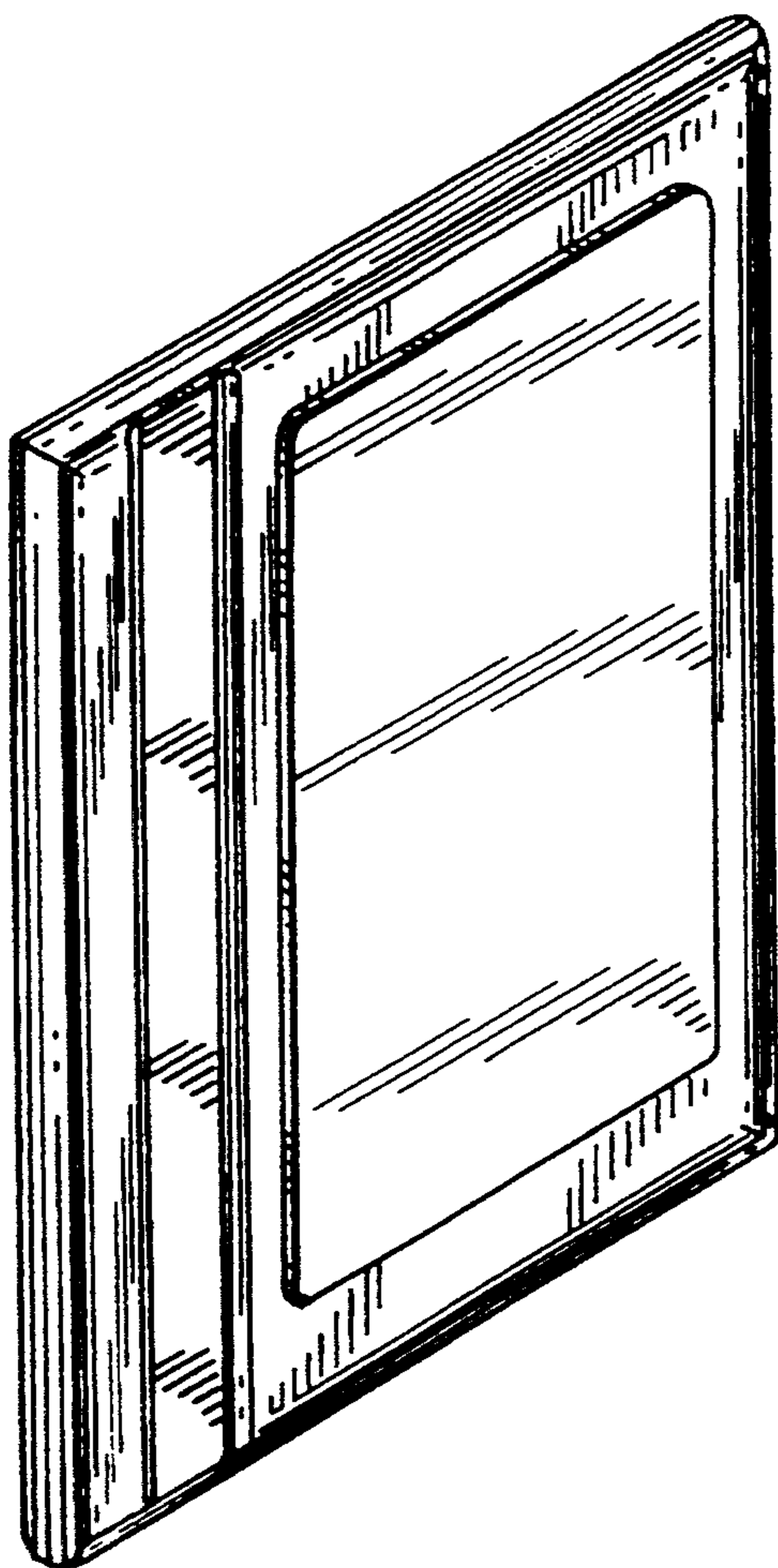
FIG. 6 is a perspective view of a second embodiment of FIG. 1;

FIG. 7 is an enlarged front elevational view thereof;

FIG. 8 is an enlarged right side elevational view thereof;

FIG. 9 is an enlarged rear elevational view thereof; and,

FIG. 10 is an enlarged bottom plan view thereof.



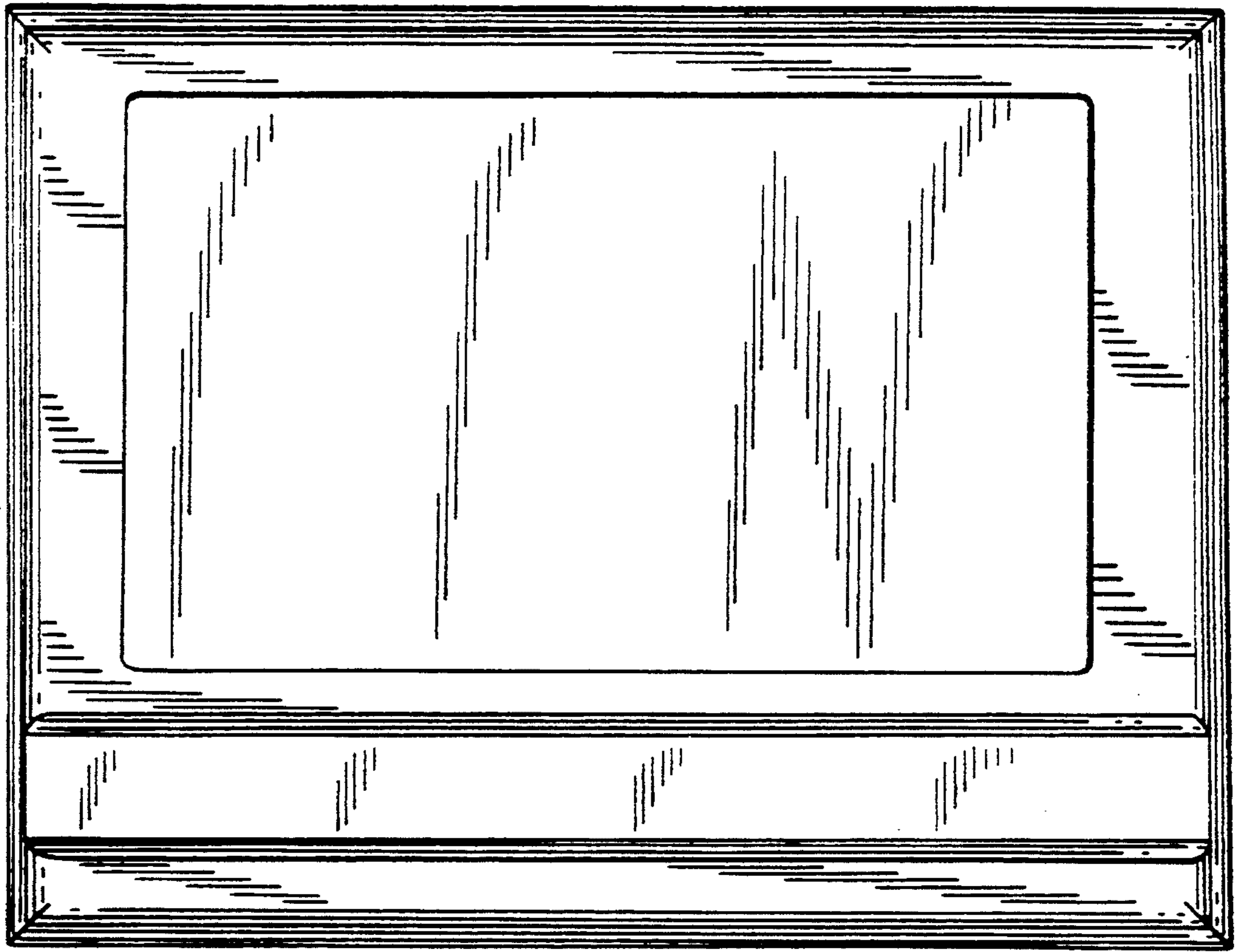


FIG. 2

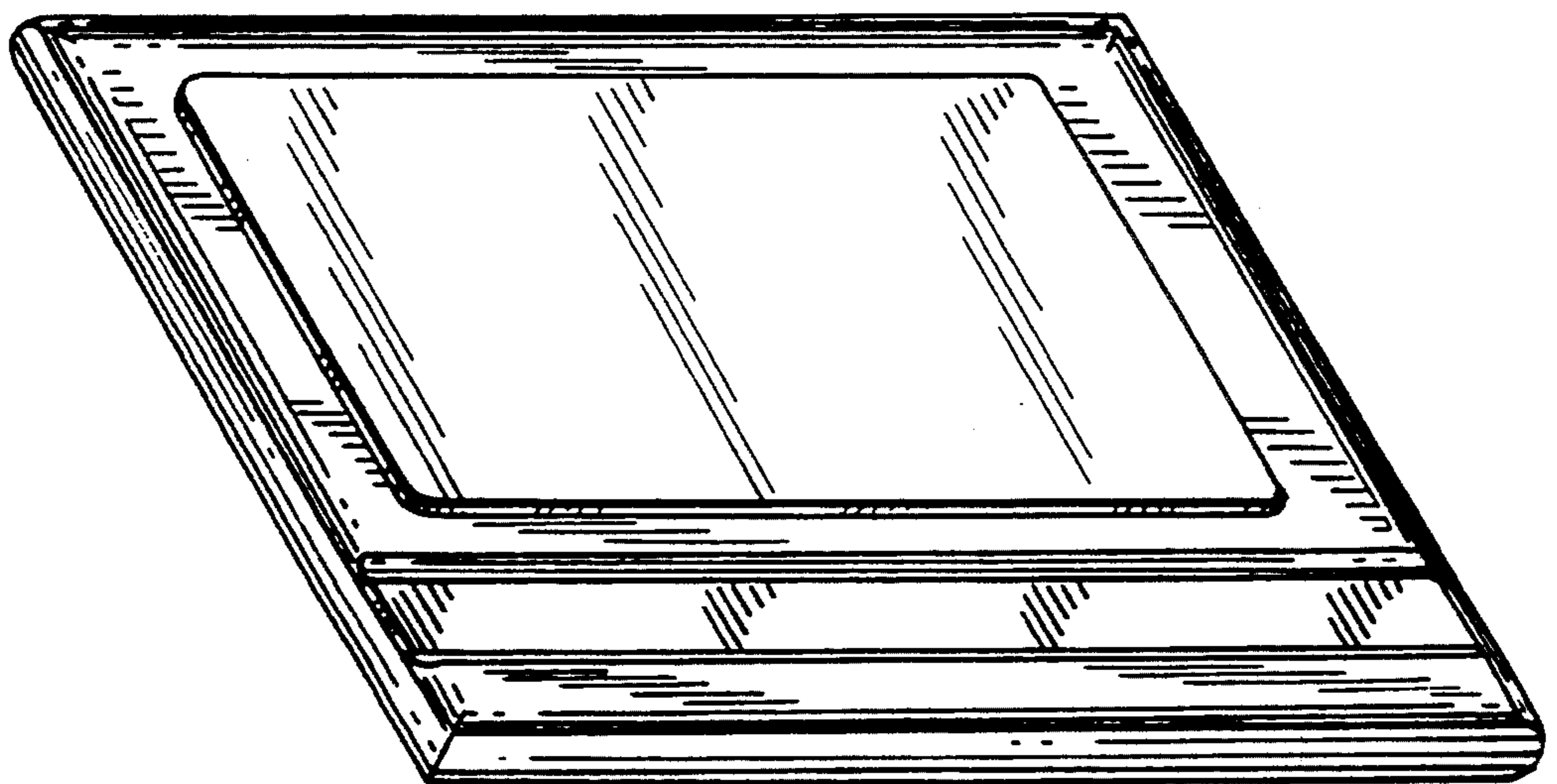
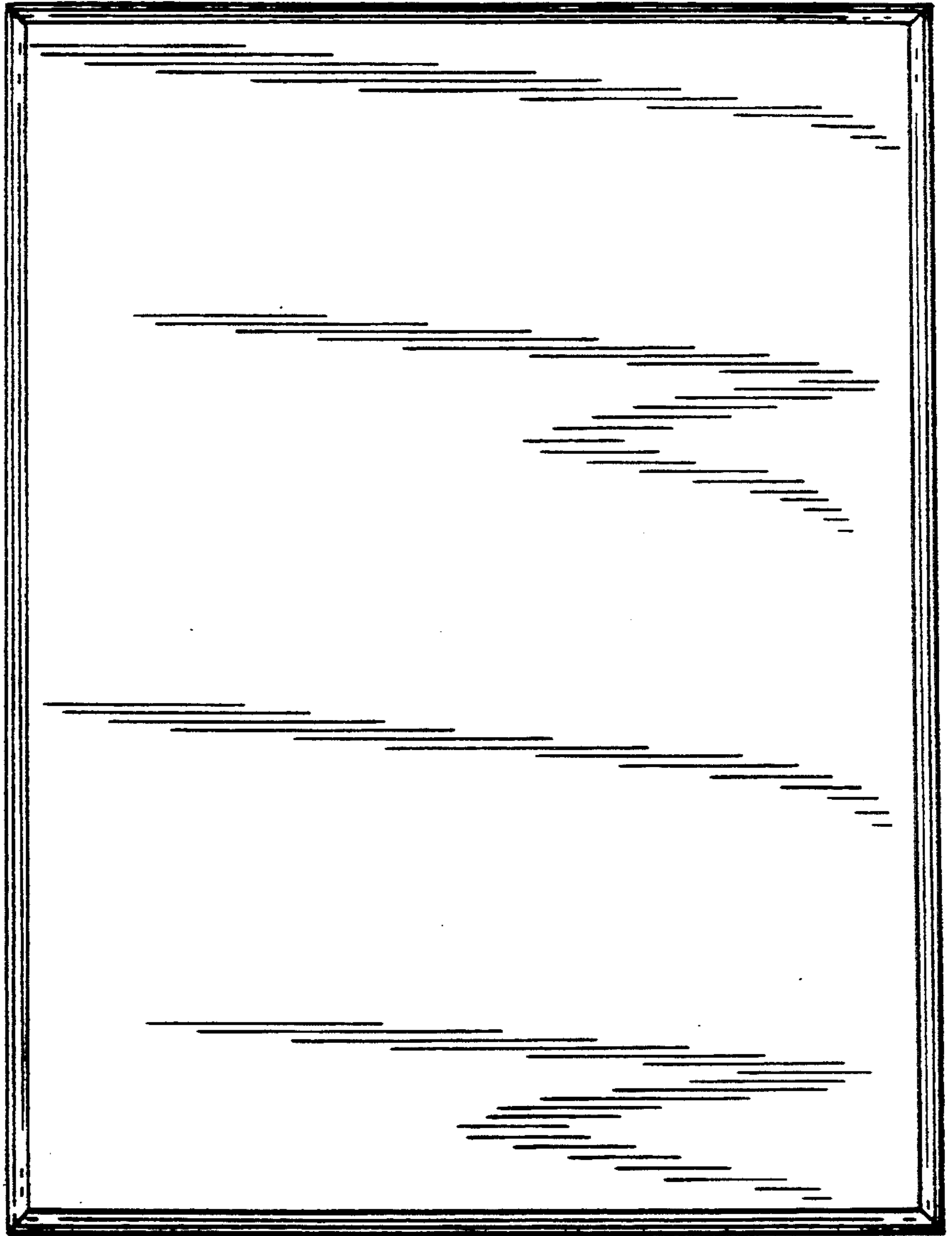


FIG. 1

*FIG. 3*

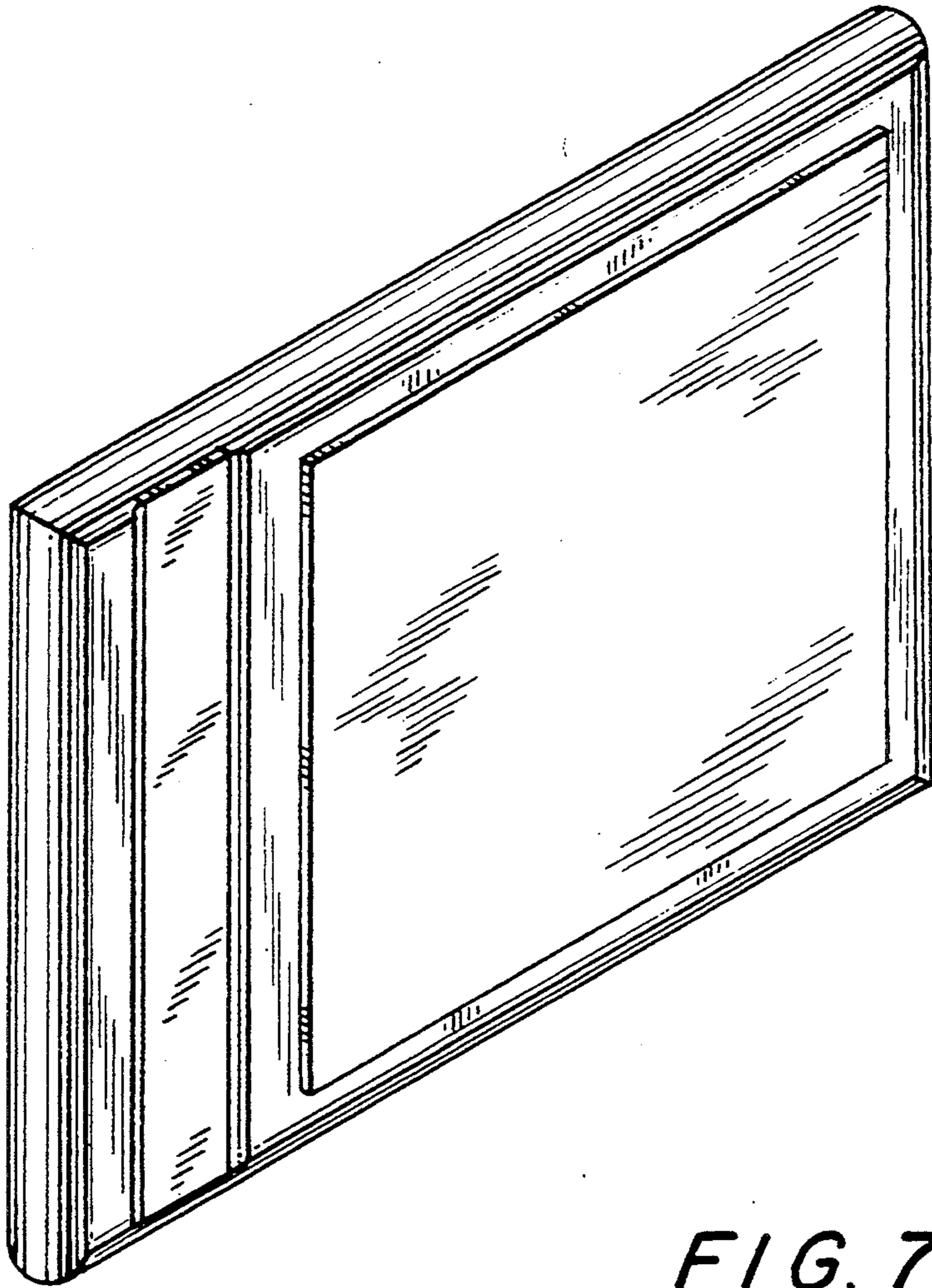


*FIG. 4*



*FIG. 5*





*FIG. 6*

*FIG. 7*

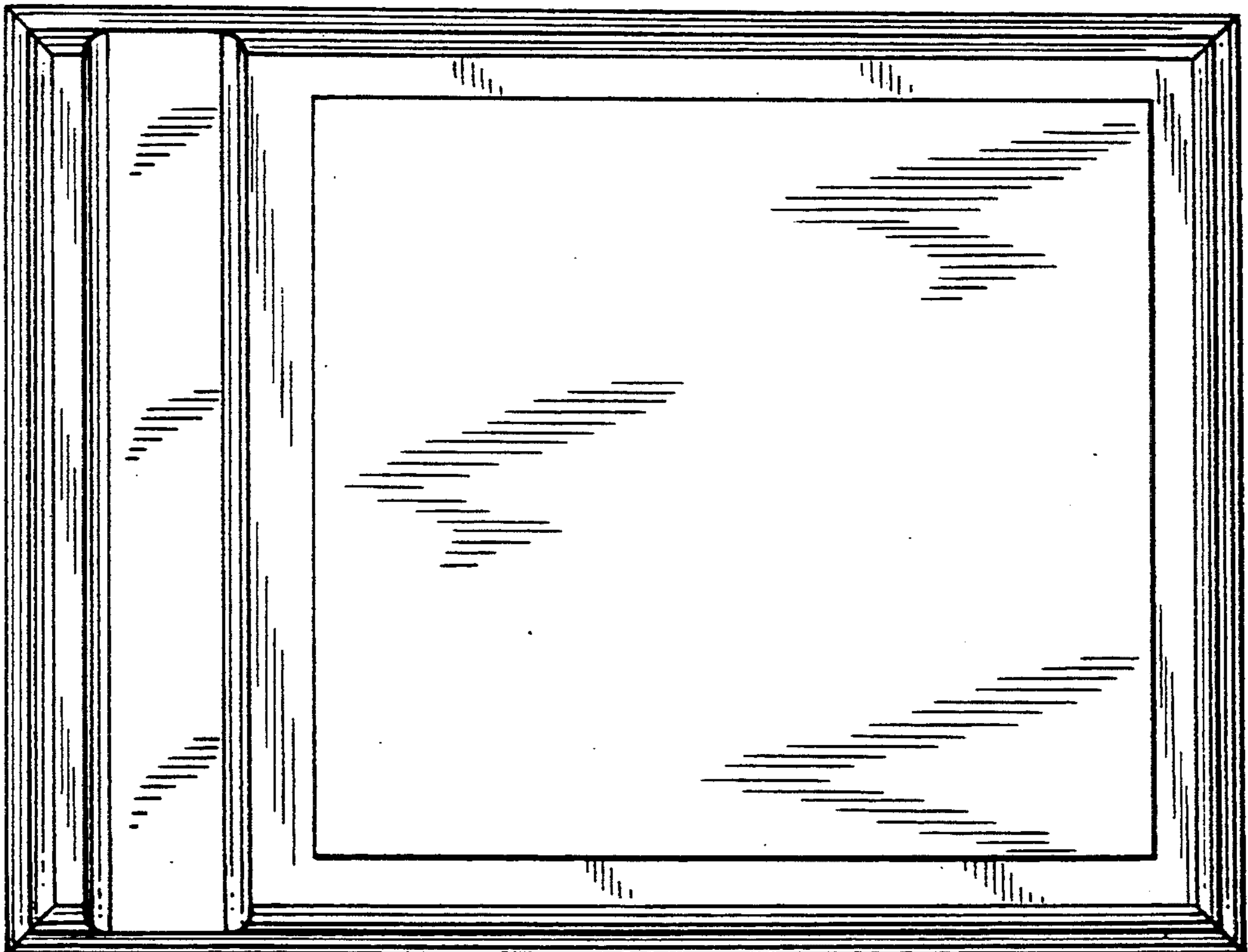


FIG. 8

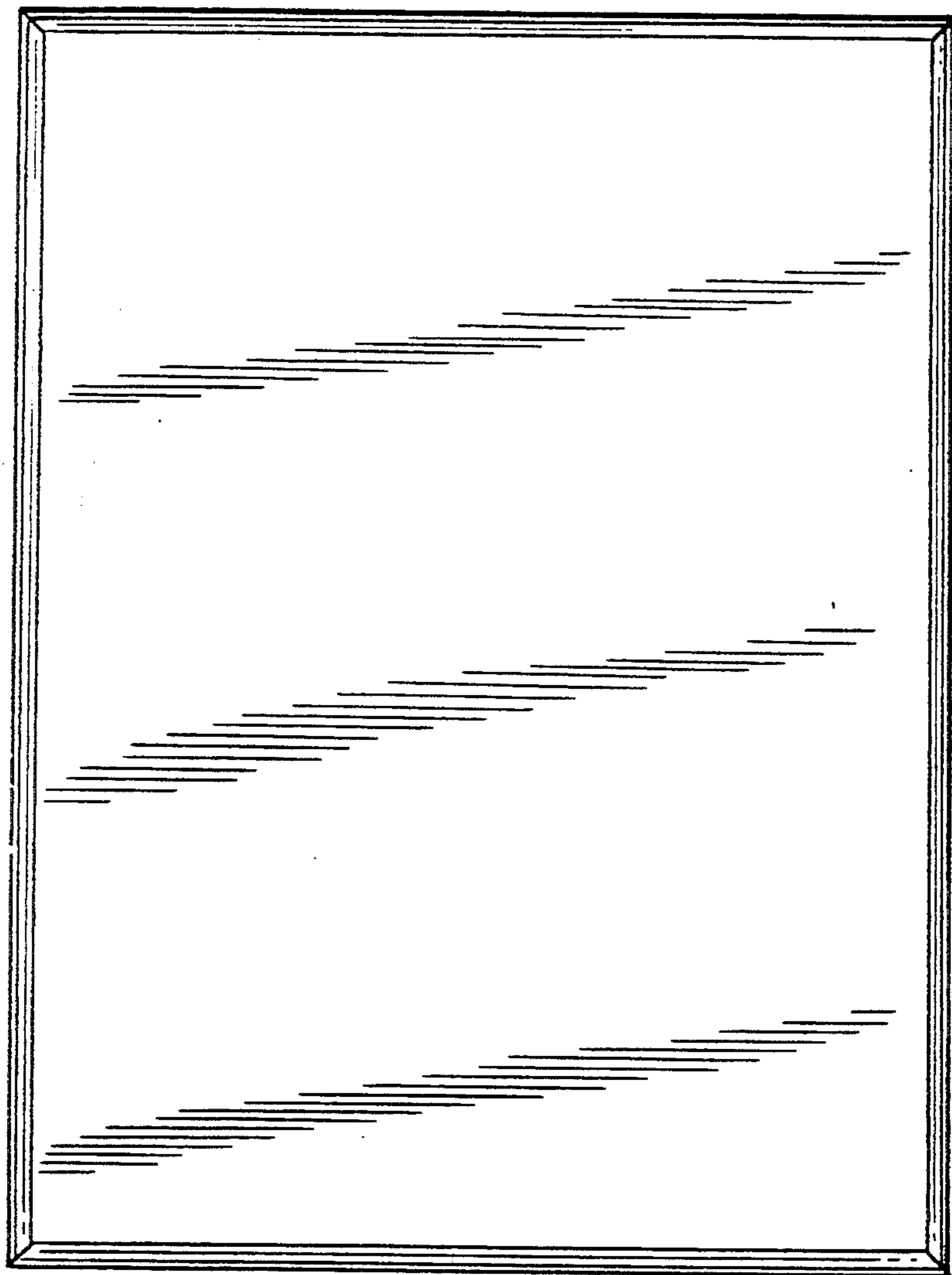
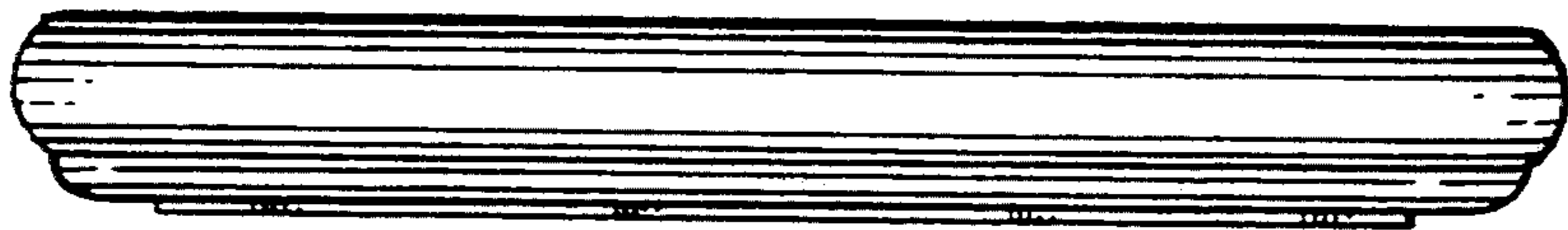


FIG. 9

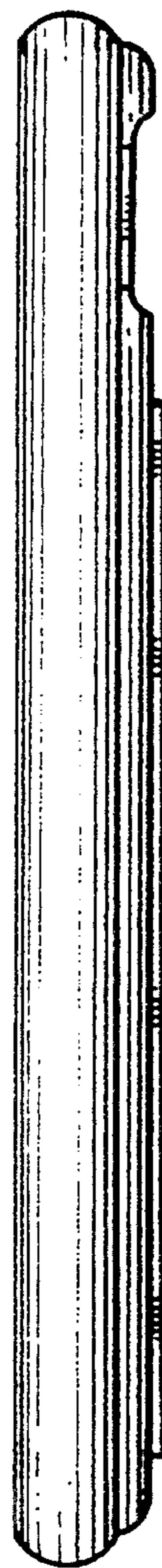


FIG. 10