



US00D359926S

United States Patent [19]

[11] Patent Number: **Des. 359,926**

Plummer

[45] Date of Patent: **** Jul. 4, 1995**

[54] **INSECT REPELLENT BRACELET**

[76] Inventor: **Michael A. Plummer**, 10 Merola Park, Mattapan, Mass. 02126-2316

[**] Term: **14 Years**

[21] Appl. No.: **23,854**

[22] Filed: **Jun. 2, 1994**

Related U.S. Application Data

[63] Continuation of Ser. No. 4,106, Jan. 27, 1993, abandoned.

[52] U.S. Cl. **D11/4; D22/122**

[58] Field of Search **D11/1-12, D11/20-34; 63/1.1, 2, 3, 19; 119/861, 156, 858, 859; D30/152; D22/122**

[56] References Cited

U.S. PATENT DOCUMENTS

D. 124,312 12/1940 Halper **D11/34**

| | | | |
|-----------|---------|--------------------|---------|
| 254,156 | 2/1882 | Ricker et al. | D30/152 |
| 281,628 | 7/1883 | Holden | 63/1.1 |
| 1,172,726 | 2/1916 | Paine | 63/1.1 |
| 1,172,809 | 2/1916 | Leno | 63/1.1 |
| 2,342,066 | 2/1944 | Tramill | 119/861 |
| 2,413,541 | 12/1946 | Brady | 63/3 |
| 5,155,950 | 10/1992 | Burgeson | 119/861 |

Primary Examiner—Ralf T. Seifert

[57] CLAIM

The ornamental design for a insect repellent bracelet, as shown and described.

DESCRIPTION

FIG. 1 is a front elevational view of the insect repellent bracelet showing my new design; FIG. 2 is a rear elevational view thereof; FIG. 3 is a left side elevational view thereof; FIG. 4 is a right side elevational view thereof; FIG. 5 is a top plan view thereof; FIG. 6 is a bottom plan view thereof; and, FIG. 7 is a perspective view thereof.

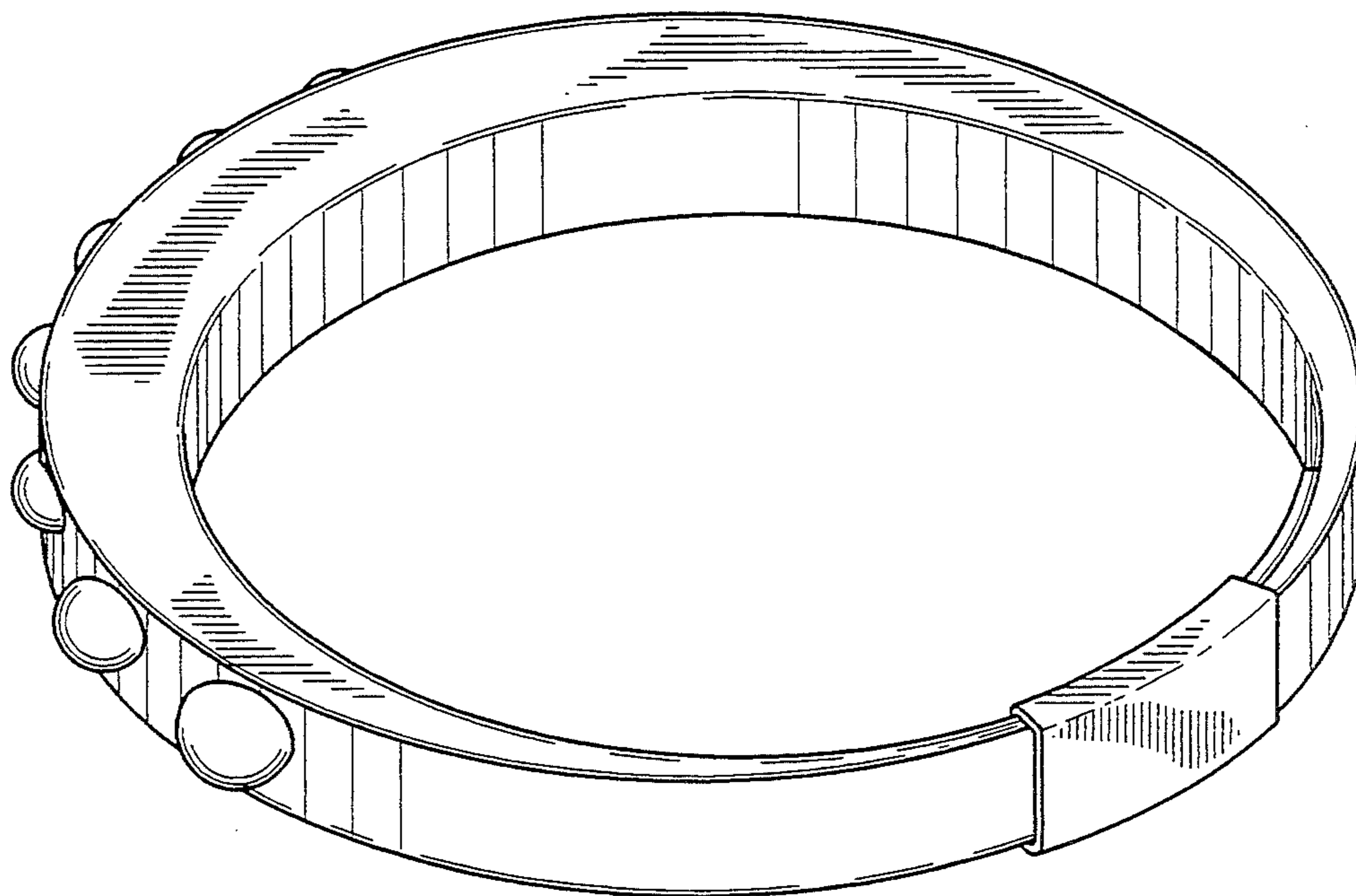


FIG. 1

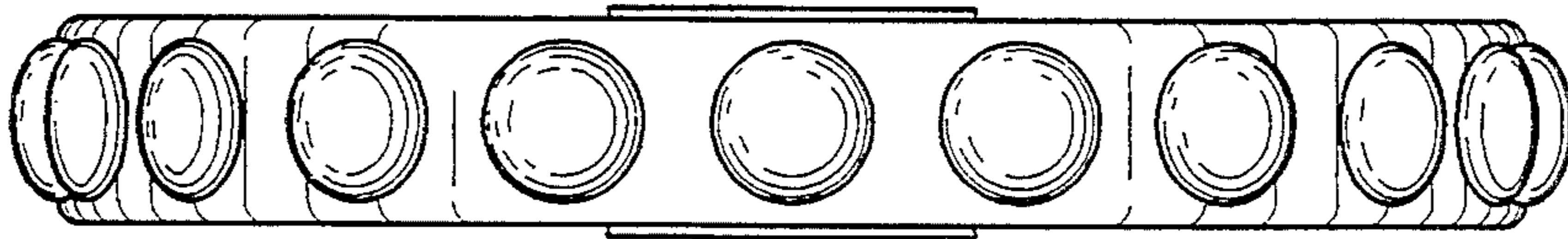


FIG. 2

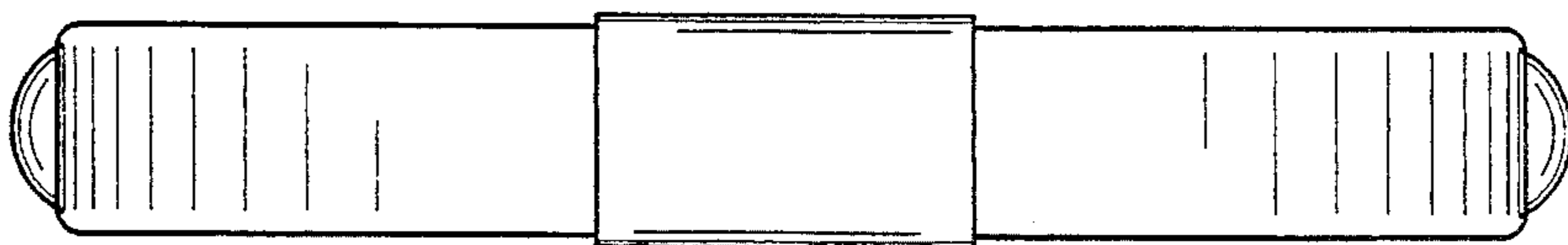


FIG. 3

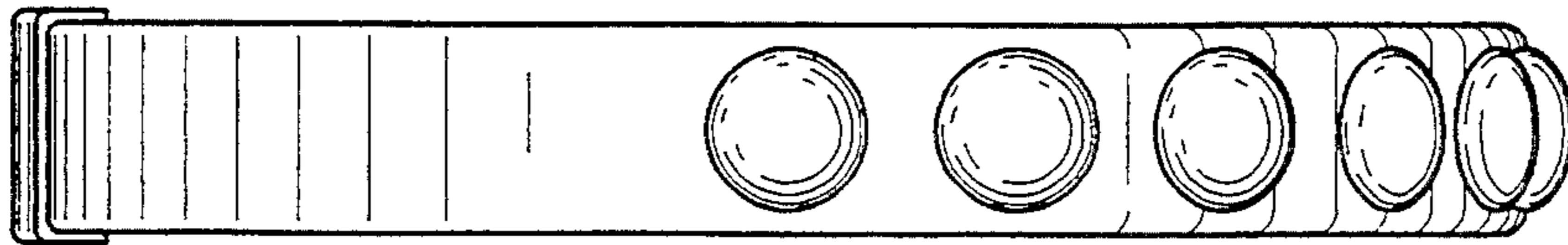


FIG. 4

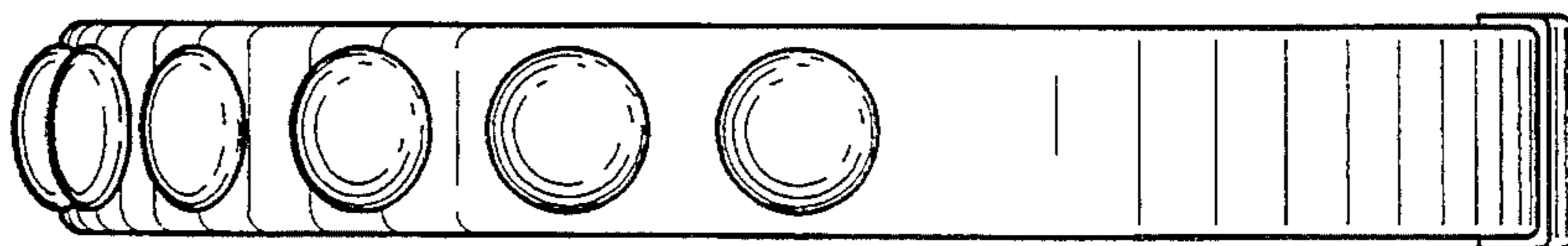


FIG. 5

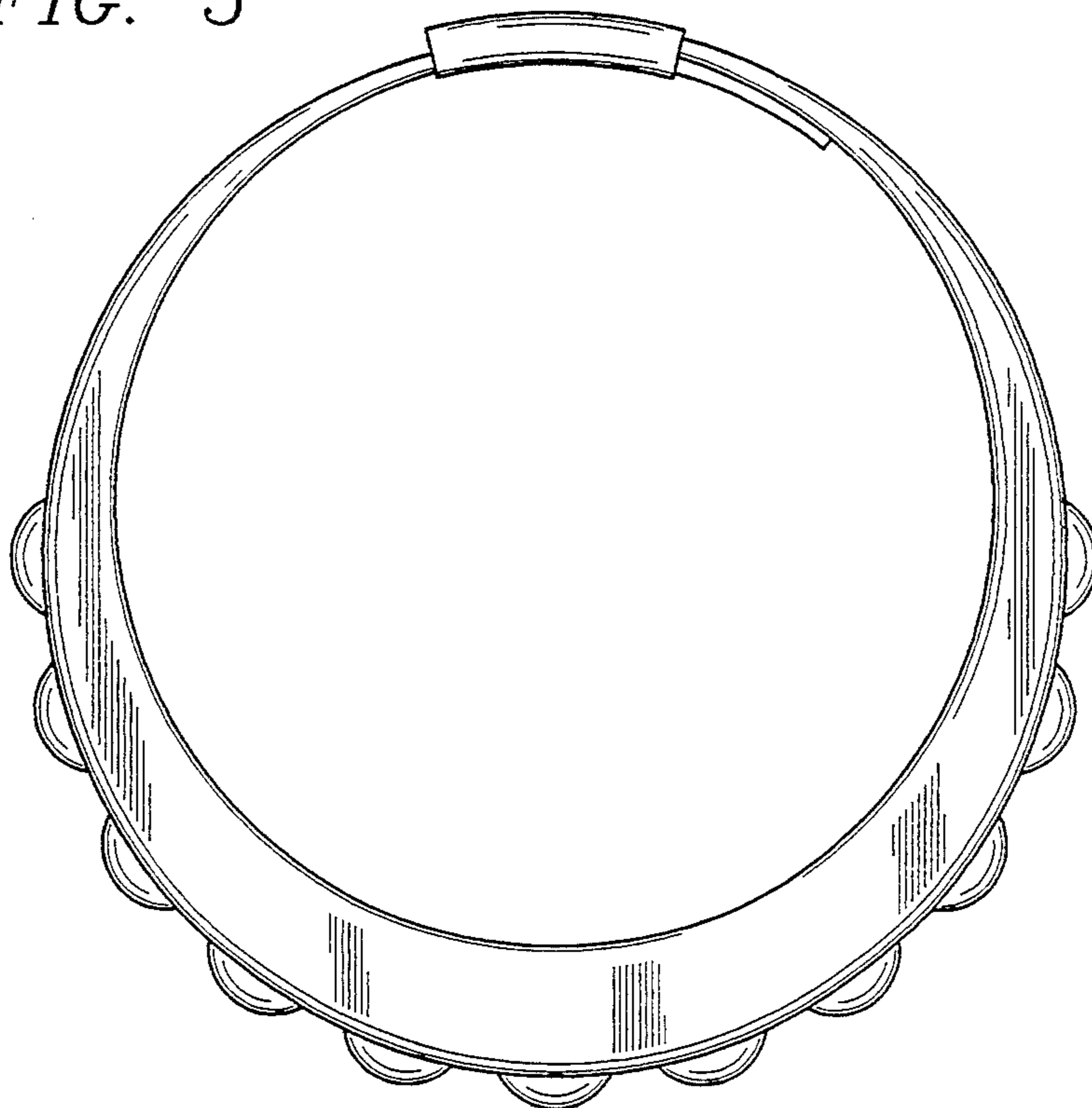


FIG. 6

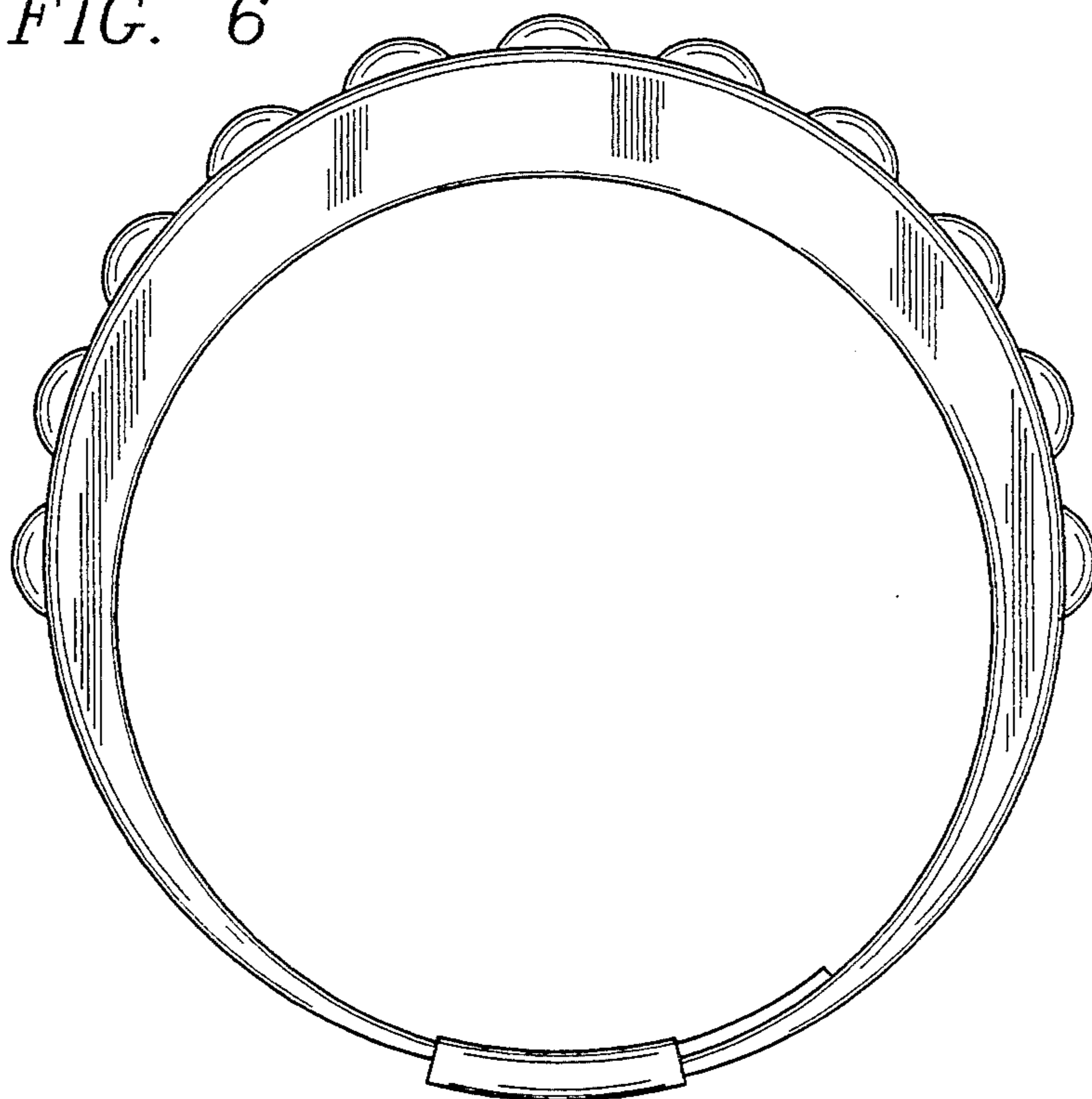


FIG. 7

