



US00D359922S

United States Patent [19]

[11] Patent Number: **Des. 359,922**

Sandell

[45] Date of Patent: **** Jul. 4, 1995**

[54] **SENSOR HEAD FOR PASSIVE INFRARED MOTION DETECTOR**

[75] Inventor: **Donald R. Sandell**, San Jose, Calif.

[73] Assignee: **Intelectron Products Company**, Hayward, Calif.

[**] Term: **14 Years**

[21] Appl. No.: **22,853**

[22] Filed: **May 13, 1994**

[52] U.S. Cl. **D10/106**

[58] Field of Search D10/104, 106, 116, 121; 340/521, 540, 555, 556, 557, 565, 571, 600, 628, 629; D26/28

[56] **References Cited**

U.S. PATENT DOCUMENTS

D. 262,869	2/1982	Guscott et al.	D10/106
D. 275,658	9/1984	Kahl, Jr. et al.	D10/106
D. 309,784	8/1990	Whitley, II	D26/28
D. 312,053	11/1990	Jacobs et al.	D10/106
D. 339,997	10/1993	Manor, Jr. et al.	D10/104
D. 341,787	11/1993	Chan	D10/106

OTHER PUBLICATIONS

“Regent Motion Activated”, Product promotional literature, Regent Lighting Corporation prior to May 1994.
 “First Alert Home Safety Products”, Motion Sensors section, Product promotional literature, First Alert prior to May 1994.
 “First Alert Home and Office Lighting Controls, Motion Sensors”, Product promotional literature, First Alert prior to May 1994.
 “Products for Home Security, Home Safety, Home

Convenience”, Product promotional literature, Tahoe Products, Inc. prior to May 1994.

“Infrared Motion Detector Models 1290 & 1291”, Product promotional literature, Woods Wire Products, Inc., 1988.

“Gotcha! The Motion Activated Lighting System”, Product flier, Gotcha! by LightForce prior to May 1994.

“Occupancy Sensor Lighting Controls”, Product promotional literature, Leviton Mfg. Co., Inc. prior to May 1994.

“Nite-Secure Motion Sensor Light Control”, Product promotional literature, Galaxy Electrical Mfg., Inc., 1992.

“Reflex Pre-assembled Motion Sensor Light Control”, Product flier, Heath Zenith, Jan. 1991.

“Night Patrol Security Light”, Product flier, Orient Resources, Inc. prior to May 1994.

Primary Examiner—James M. Gandy

Assistant Examiner—Marcus Jackson

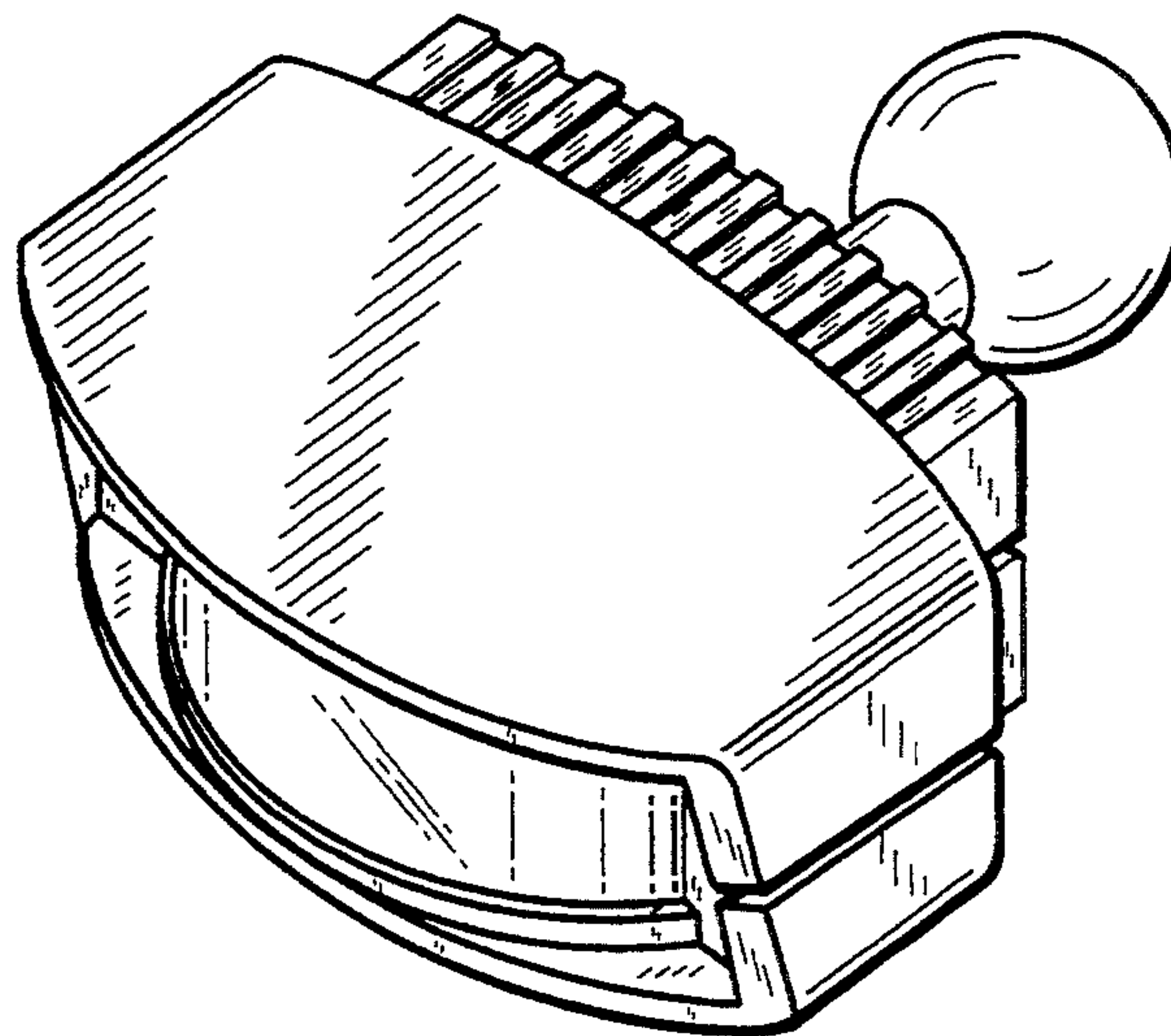
Attorney, Agent, or Firm—Elliot B. Aronson

[57] **CLAIM**

The ornamental design for a sensor head for a passive infrared motion detector, as shown and described.

DESCRIPTION

FIG. 1 is a perspective view of a sensor head for a passive infrared motion detector showing my new design;
 FIG. 2 is a front elevational view thereof;
 FIG. 3 is a left elevational view thereof, the right elevational view being a mirror image;
 FIG. 4 is a rear elevational view thereof;
 FIG. 5 is a top plan view thereof; and,
 FIG. 6 is a bottom plan view thereof.



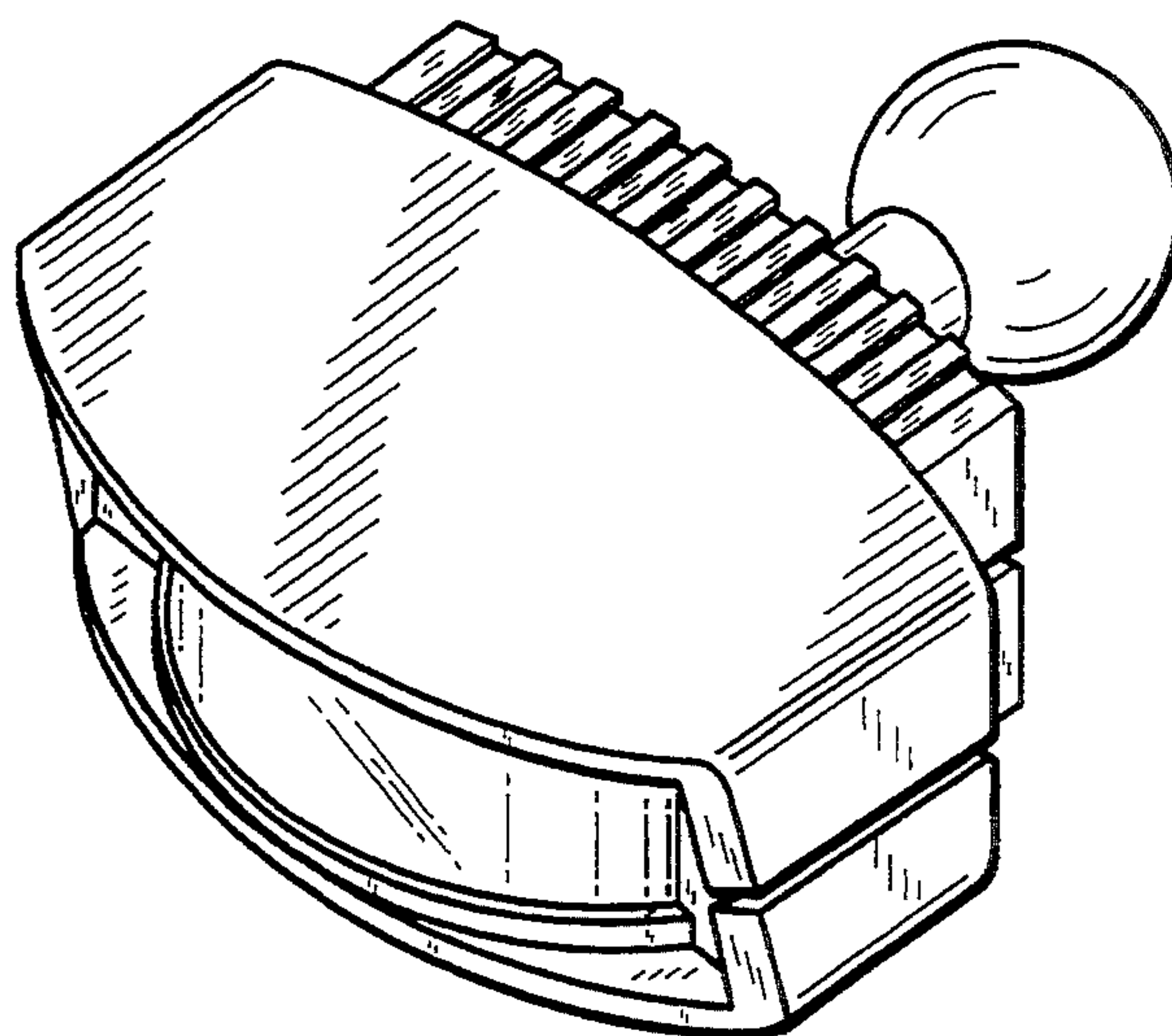


FIG. 1

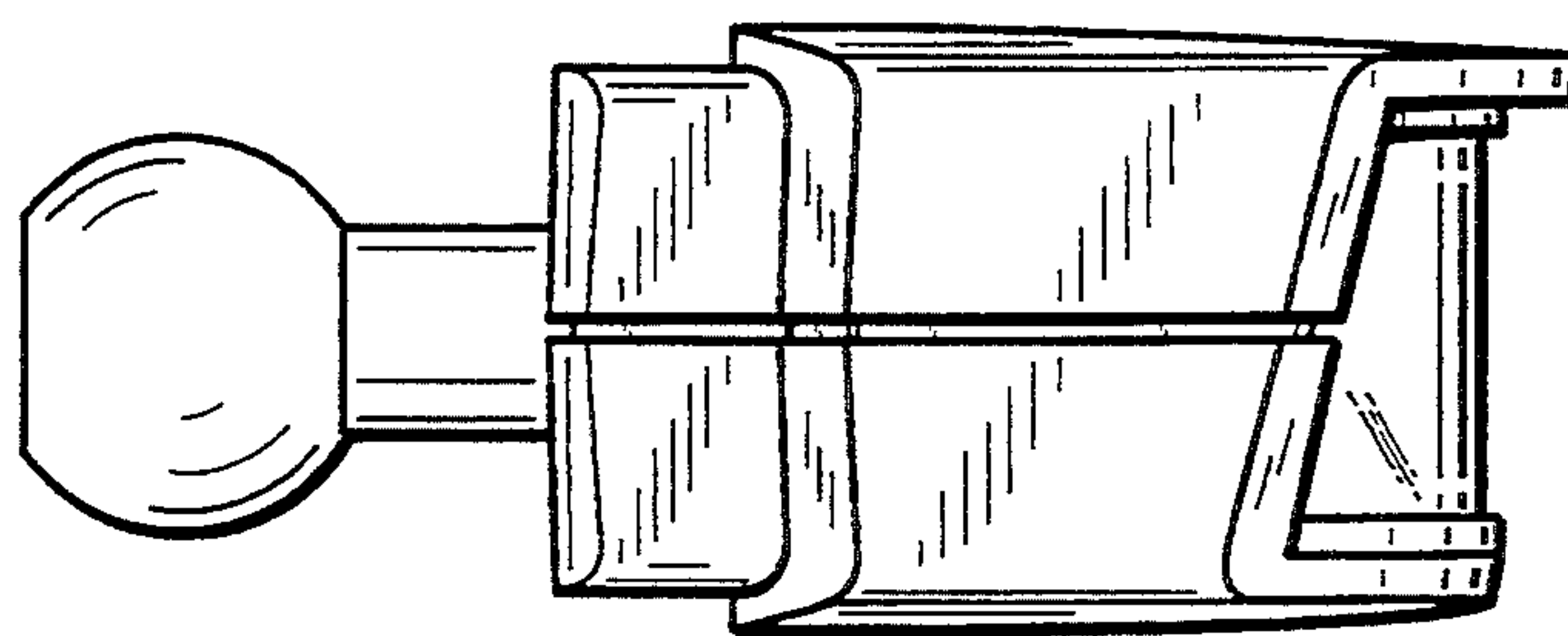


FIG. 3

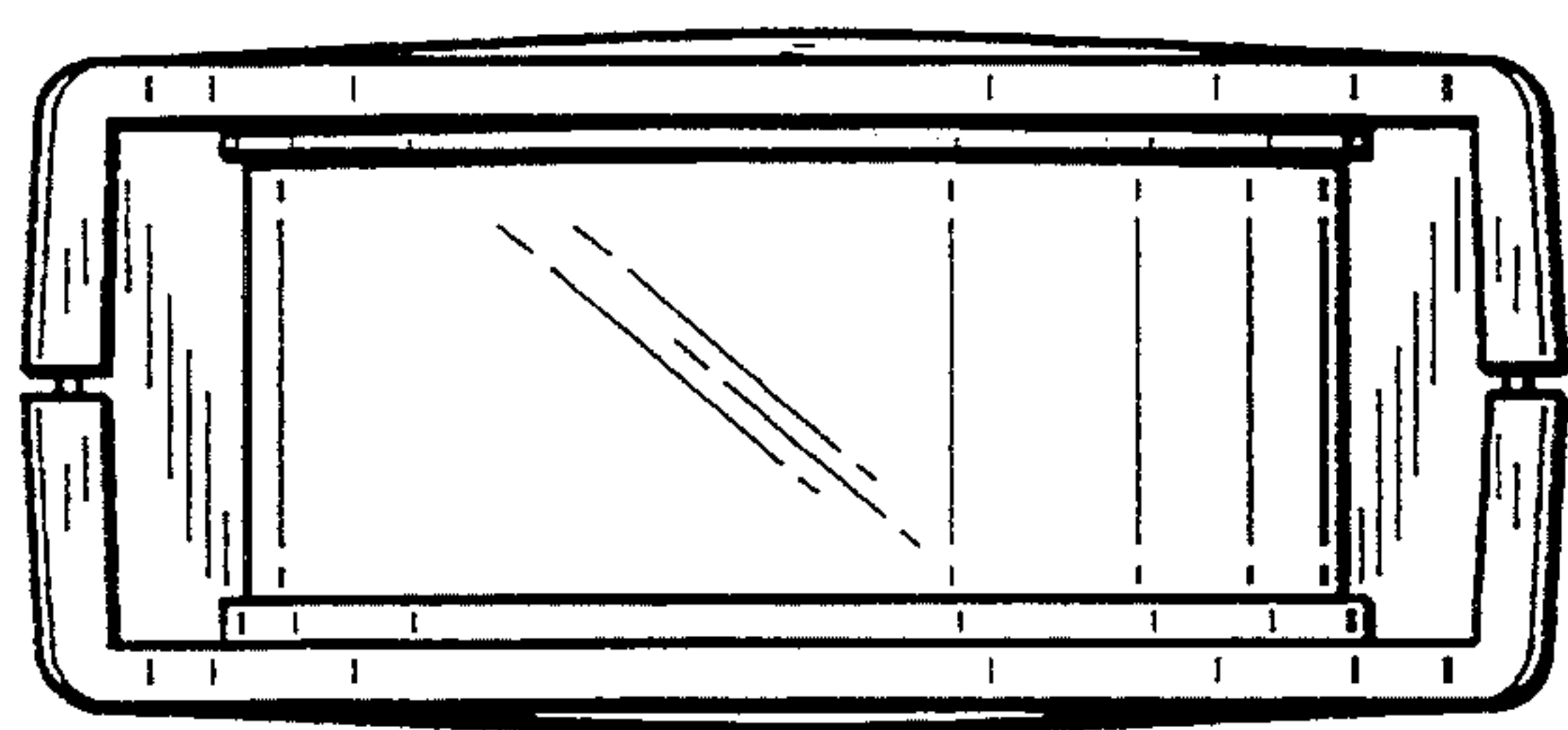


FIG._2

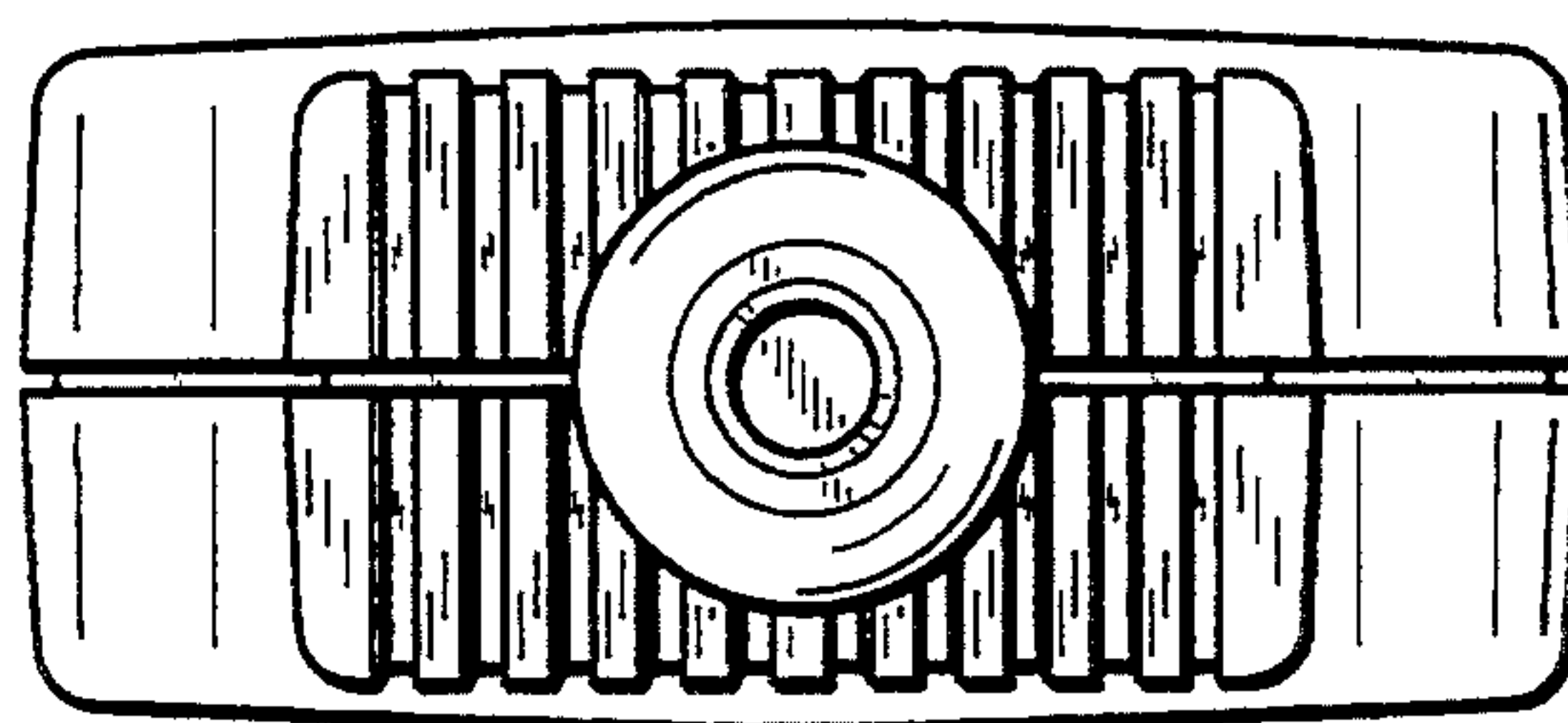


FIG._4

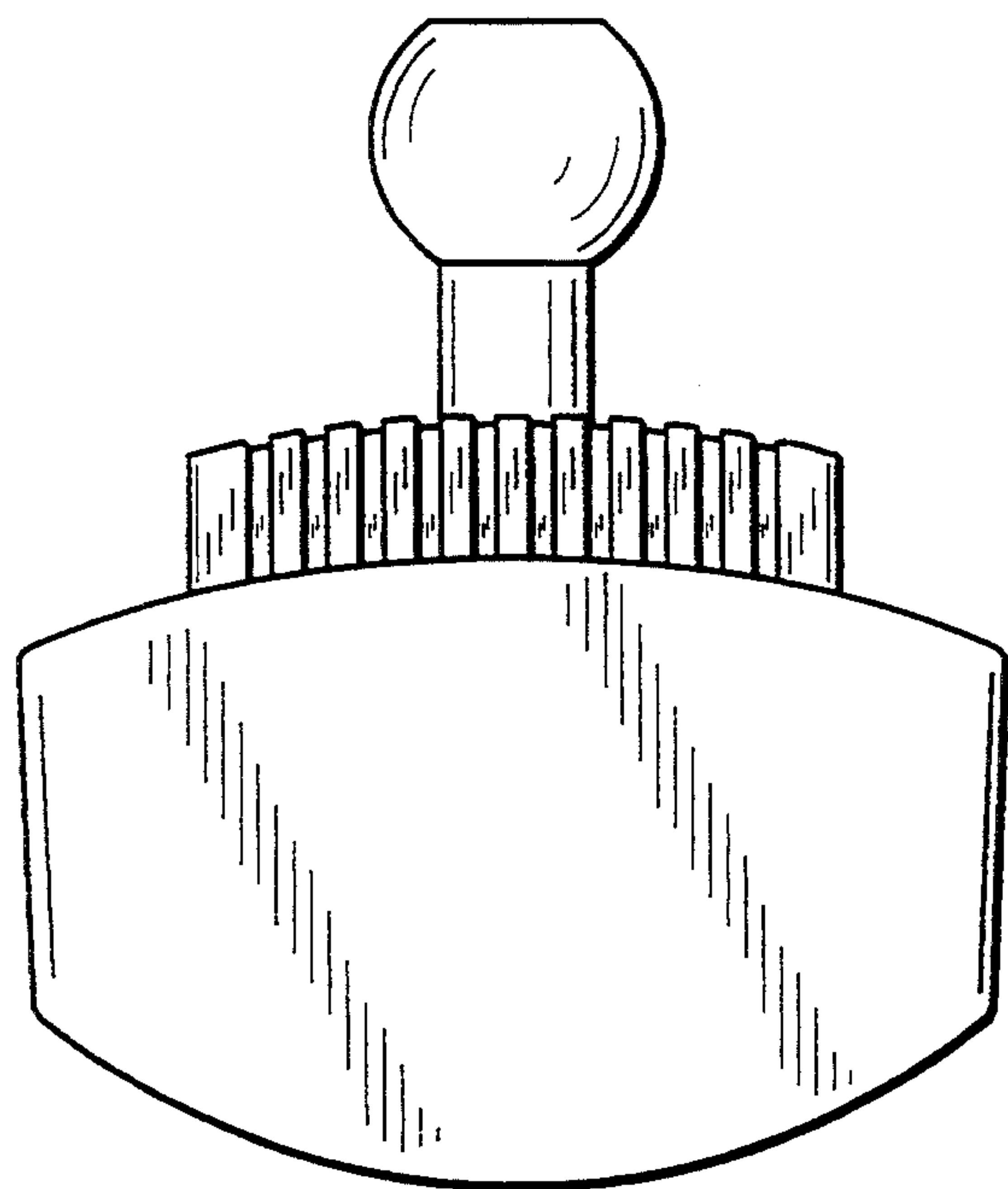


FIG._5

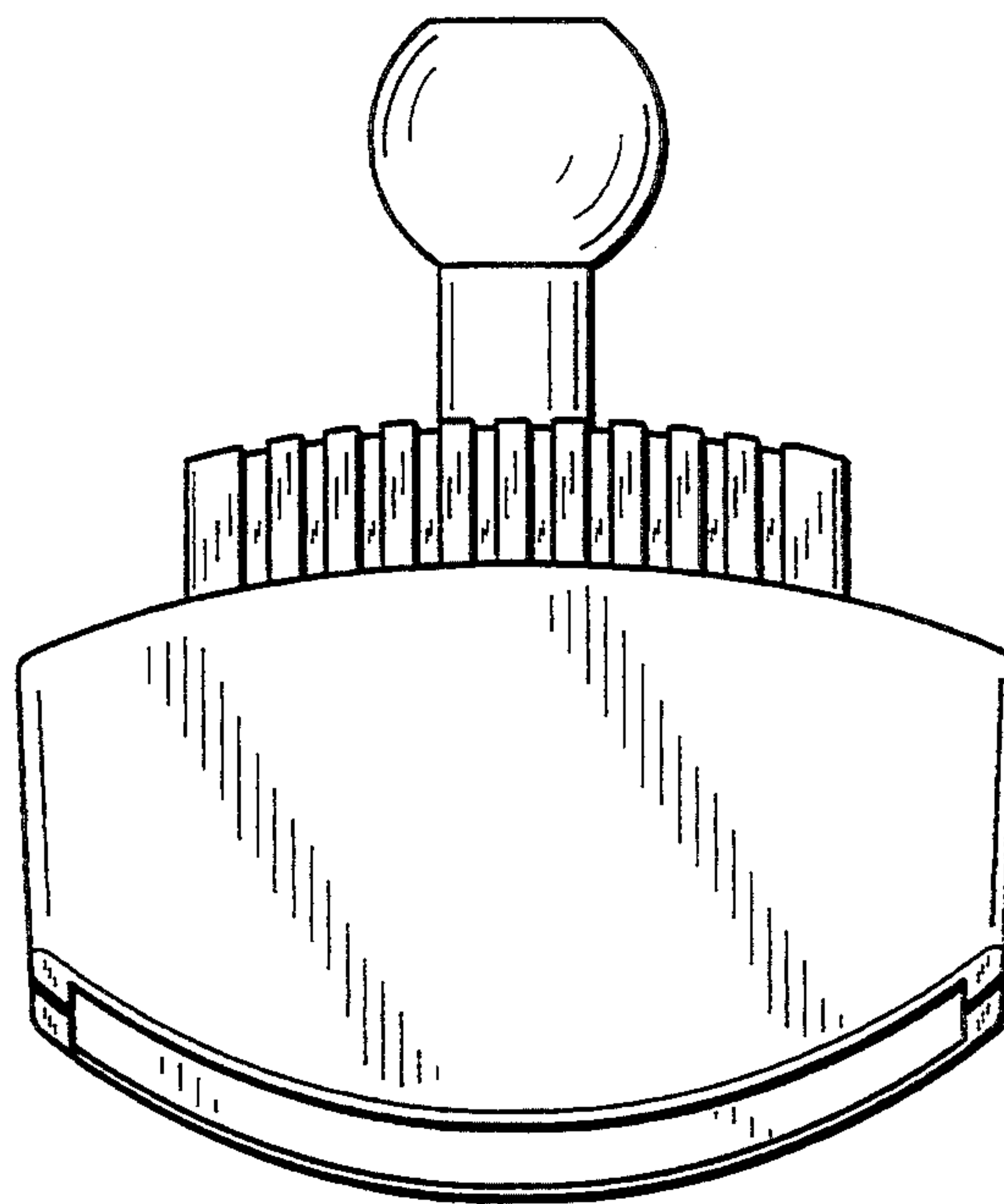


FIG._6