



US00D359921S

United States Patent [19]

[11] Patent Number: Des. 359,921

Robertson et al.

[45] Date of Patent: ** Jul. 4, 1995

[54] PORTABLE SCALE WITH COVER

[75] Inventors: Alexander B. Robertson; Donald R. Levin, both of Highland Park, Ill.

[73] Assignee: Adams Apple Distributing L.P., Chicago, Ill.

[**] Term: 14 Years

[21] Appl. No.: 22,811

[22] Filed: May 12, 1994

[52] U.S. Cl. D10/92; D10/94

[58] Field of Search D10/91, 92, 94; 116/271, 292; 177/127, 180, 181, 139, 199, 208, 210 FP, 210 EM, 238-246, 247, DIG. 9; 220/331

[56] **References Cited**

U.S. PATENT DOCUMENTS

645,091	3/1900	Harmon	177/127
3,968,849	7/1976	Dale et al.	177/127
4,658,922	4/1987	Kissick	177/127
4,744,428	5/1988	Knotter et al.	177/127

Primary Examiner—Antoine Duval Davis

Attorney, Agent, or Firm—Laff, Whitesel, Conte & Saret, Ltd.

[57] **CLAIM**

The ornamental design for a portable scale with cover, as shown and described.

DESCRIPTION

FIG. 1 is a perspective view of the portable scale with cover, shown with the scale inside of the cover; FIG. 2 is a perspective view of the portable scale with cover, shown with the scale removed from the cover; FIG. 3 is a top plan view of FIG. 1; FIG. 4 is a front elevational view of FIG. 1, the rear elevational view being a mirror image; FIG. 5 is a bottom plan view of FIG. 1; FIG. 6 is a left side elevational view of FIG. 1; FIG. 7 is a right side elevational view of FIG. 1; FIG. 8 is a top plan view of the scale, the cover is not shown for ease of illustration purposes; FIG. 9 is a front elevational view of FIG. 8, the rear elevational view being a mirror image; FIG. 10 is a bottom plan view of FIG. 8; FIG. 11 is a left side elevational view of FIG. 8; and, FIG. 12 is a right side elevational view of FIG. 8.

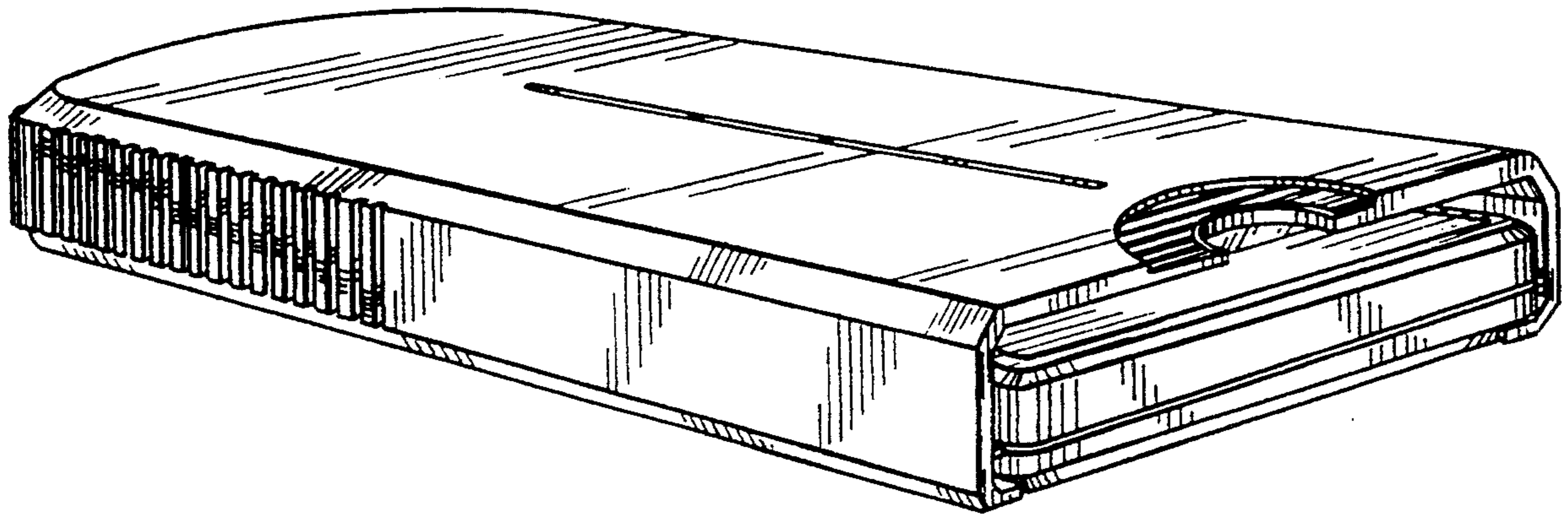


Fig. 1

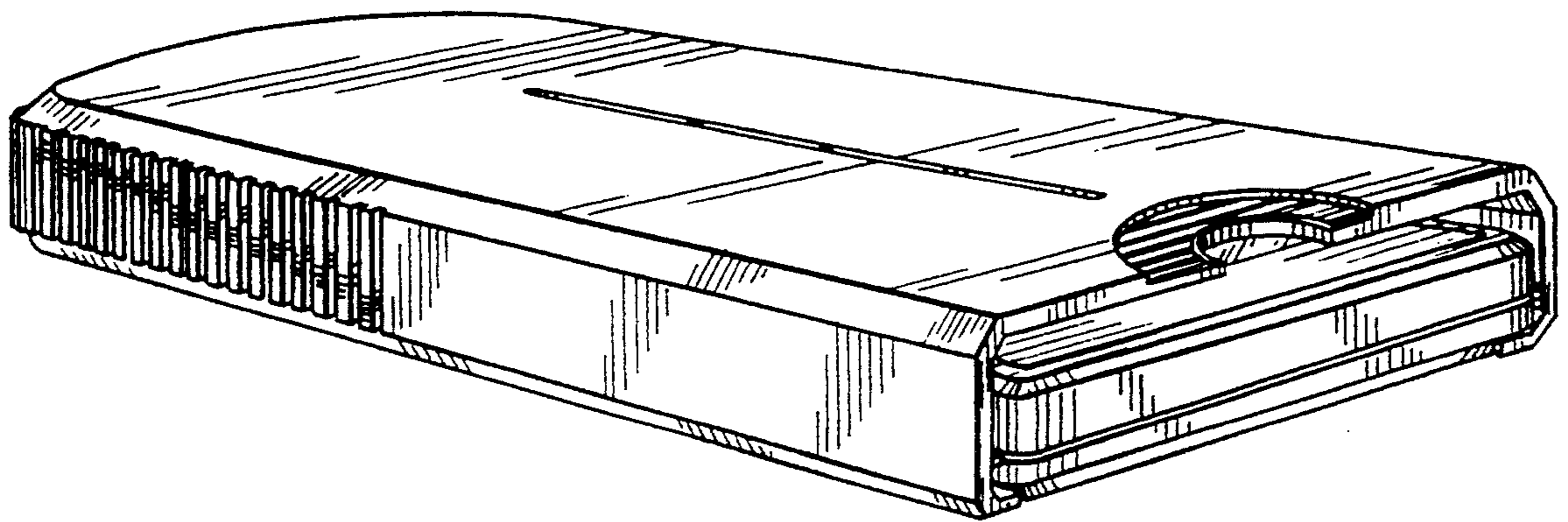


Fig. 2

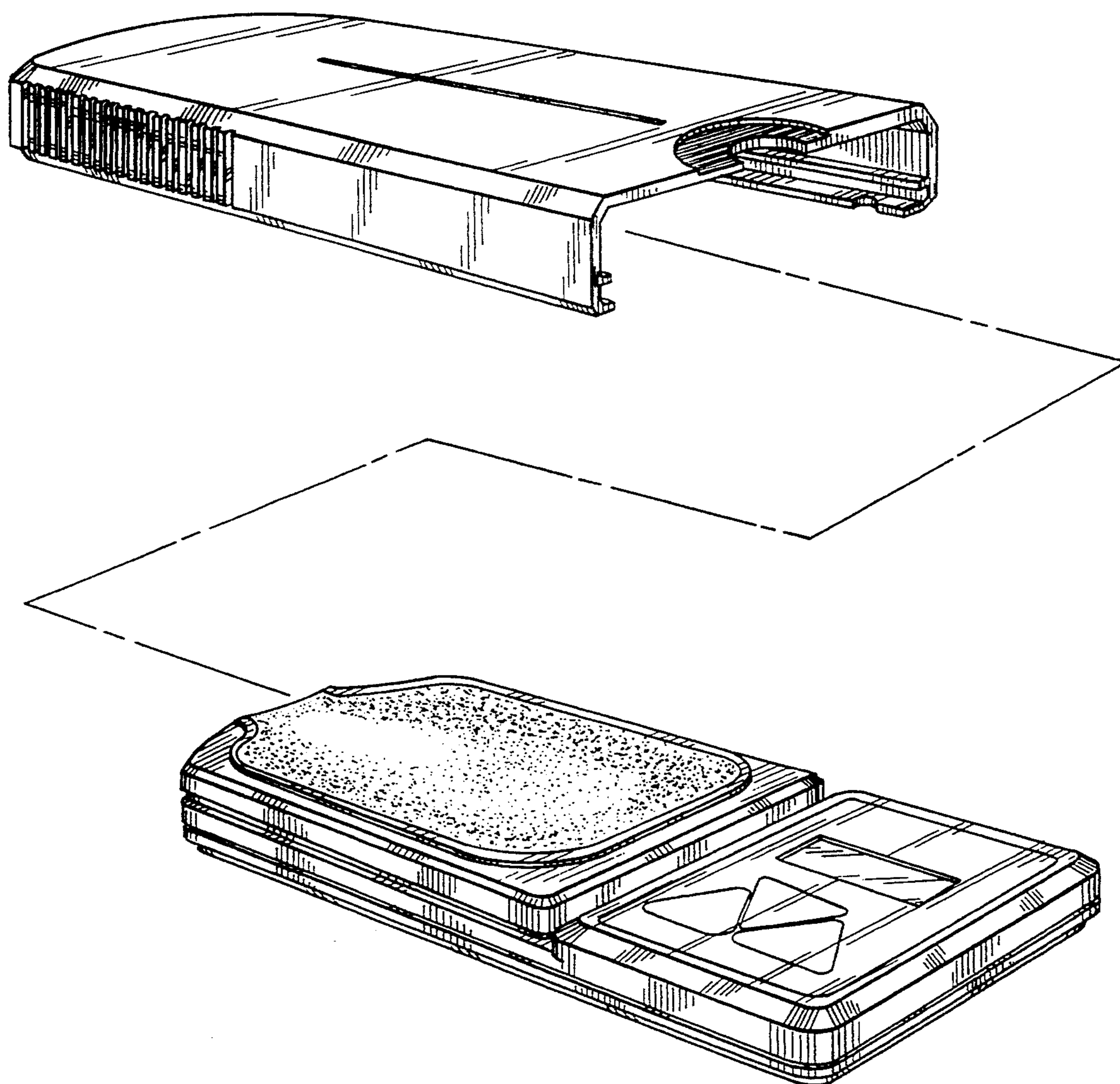


Fig. 5

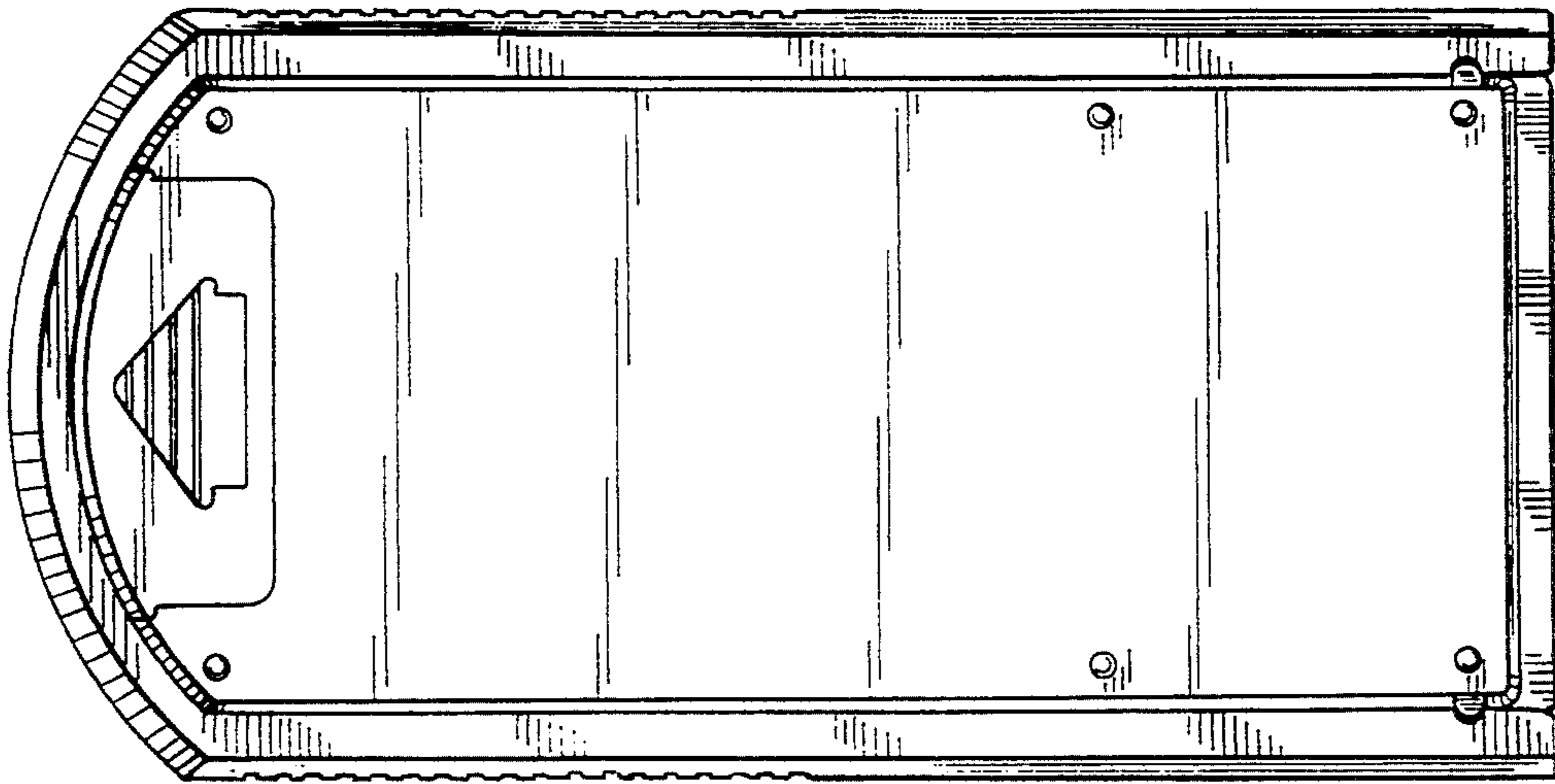


Fig. 4

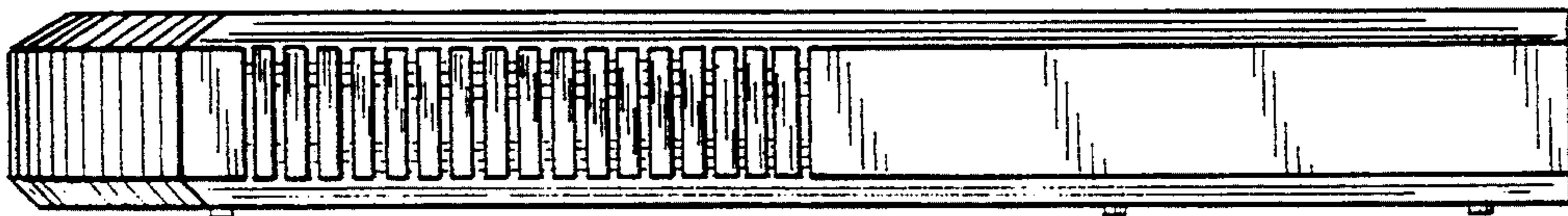


Fig. 3

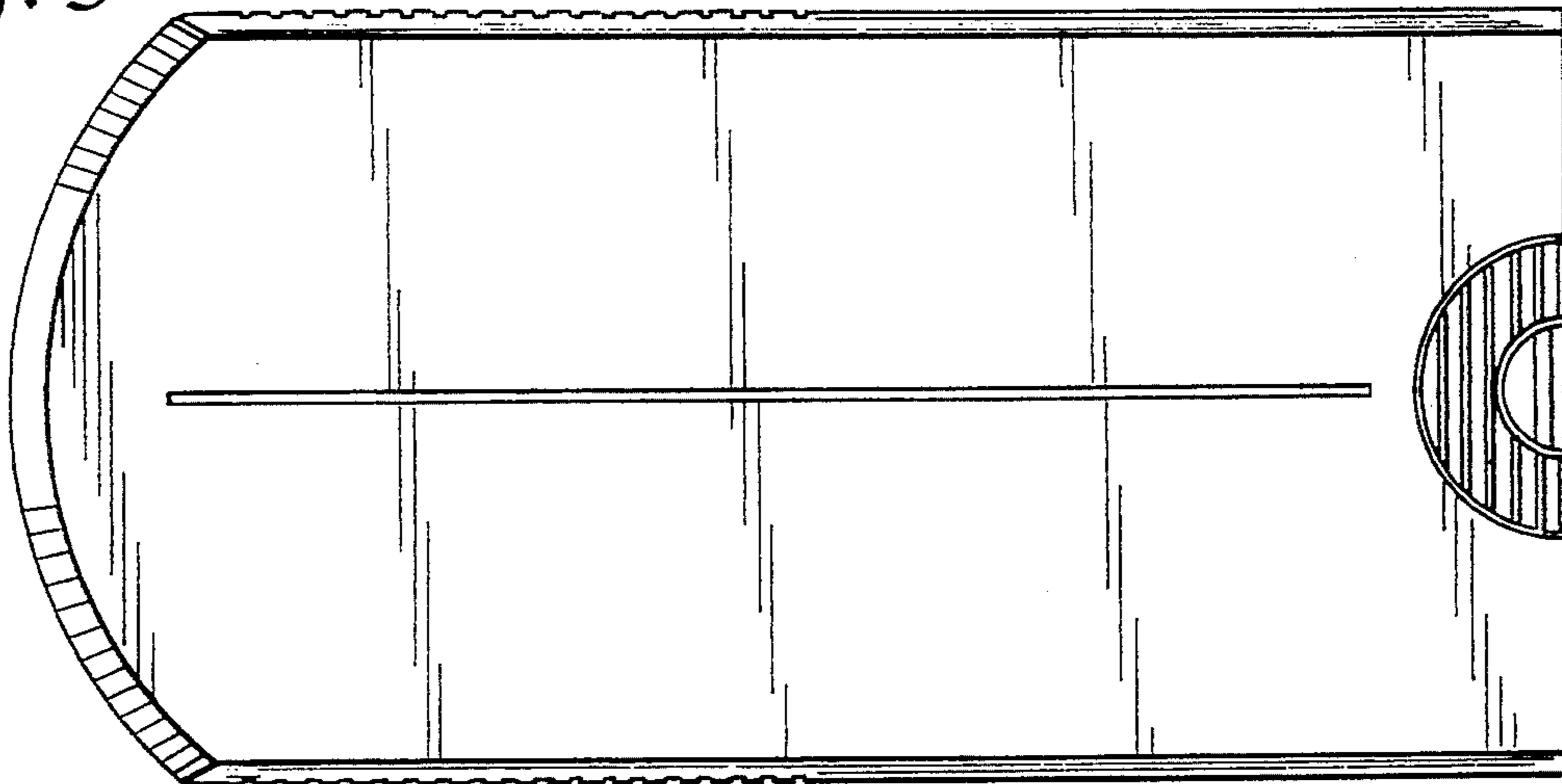


Fig. 6

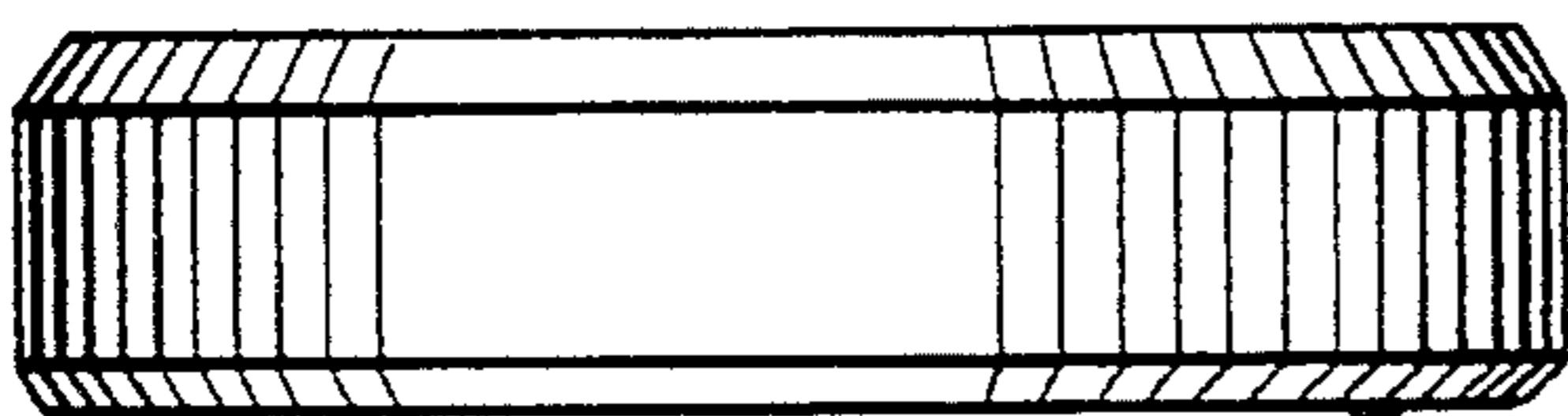


Fig. 7

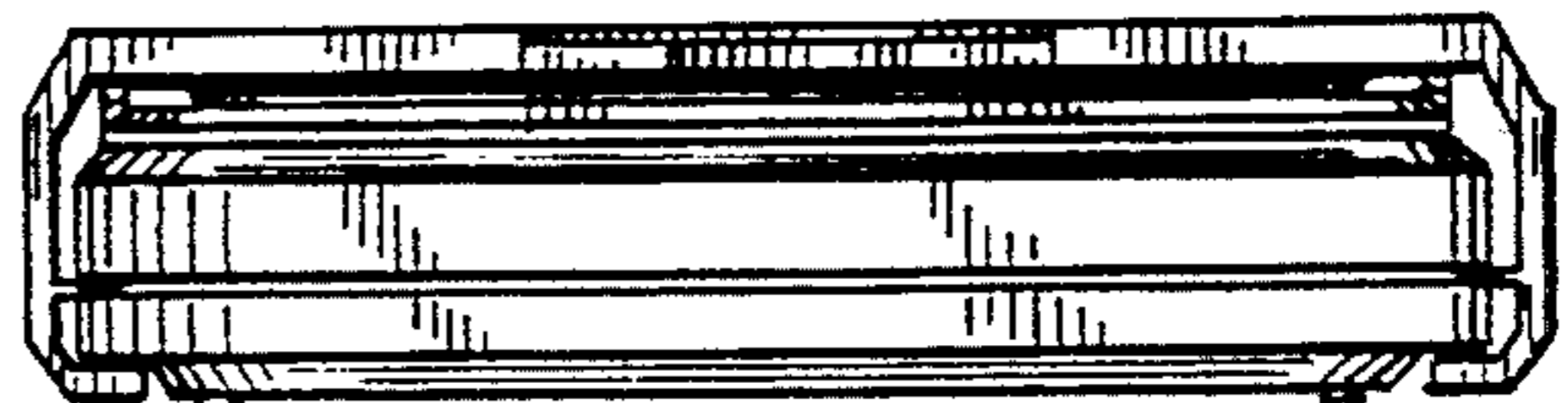


Fig. 8

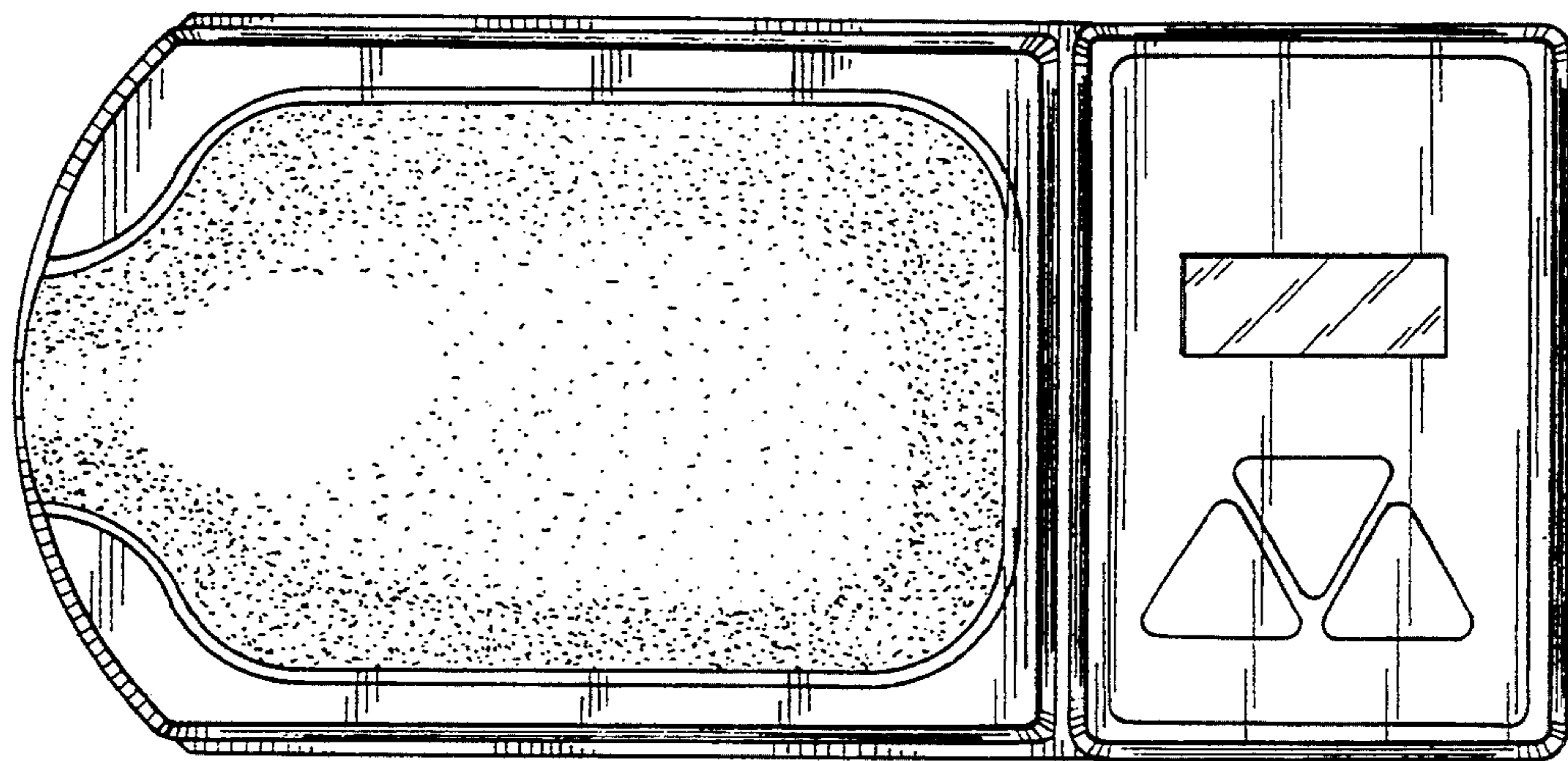


Fig. 9

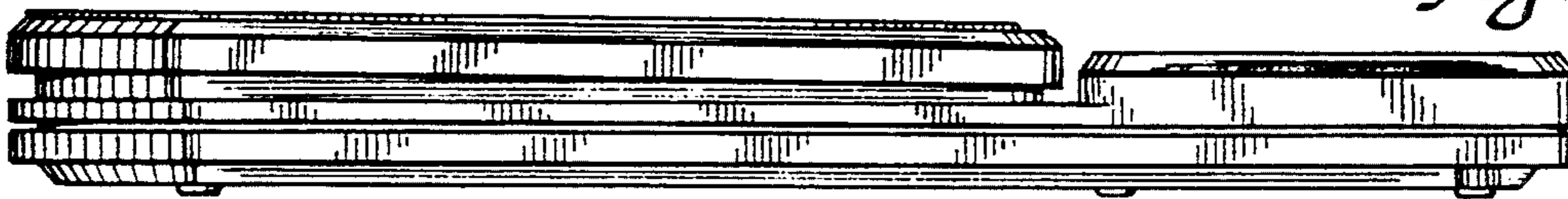


Fig. 10

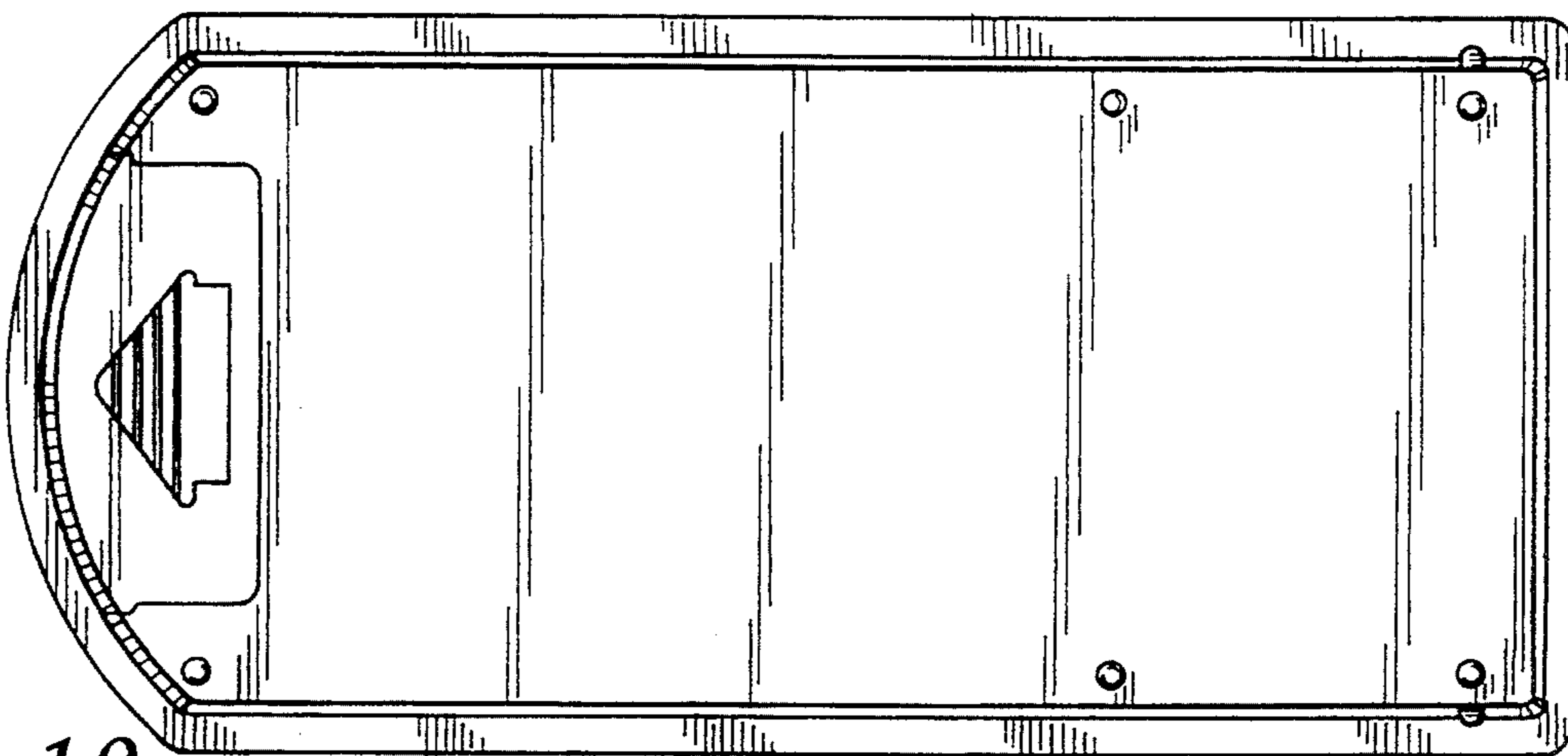


Fig. 11

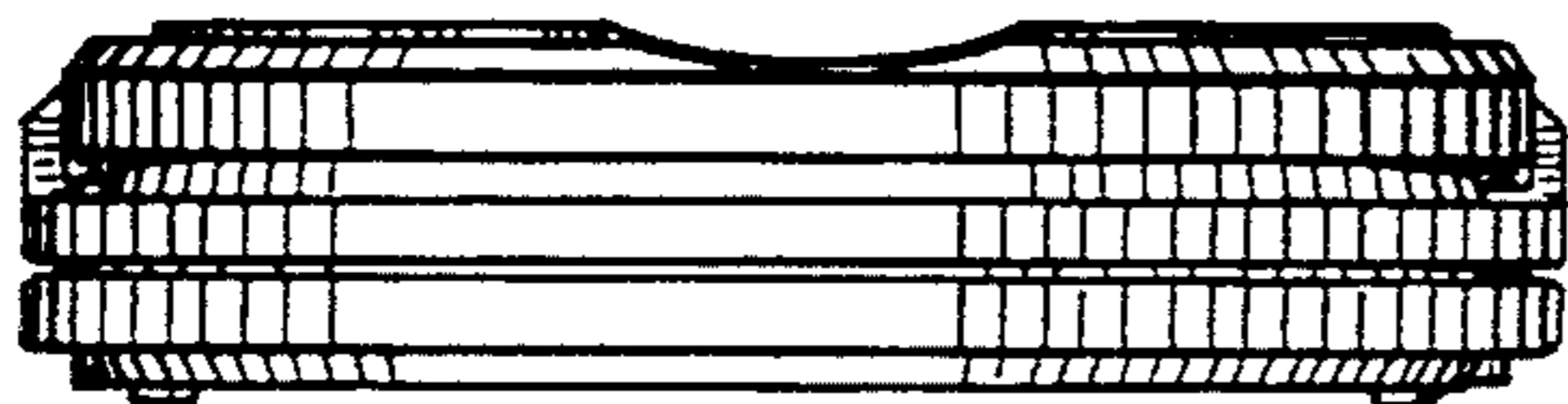


Fig. 12

