



US00D359919S

United States Patent [19]

[11] Patent Number: **Des. 359,919**

Jorgensen

[45] Date of Patent: **** Jul. 4, 1995**

[54] **INSTRUMENT COOLING JACKET WITH AIR PURGE**

[75] Inventor: **Glenn F. Jorgensen, Ridgewood, N.J.**

[73] Assignee: **JNT Technical Services Inc., Little Ferry, N.J.**

[**] Term: **14 Years**

[21] Appl. No.: **24,796**

[22] Filed: **Jun. 21, 1994**

[52] U.S. Cl. **D10/52; D10/49**

[58] Field of Search **D10/49, 50, 52; D13/123; 266/87, 90; 356/51; 374/128, 133, 208**

[56] **References Cited**

U.S. PATENT DOCUMENTS

55,620 7/1920 Knaak **D13/123**
4,527,896 7/1985 Irani et al. **374/133**

Primary Examiner—Antoine Duval Davis

Attorney, Agent, or Firm—Hill, Steadman & Simpson

[57] **CLAIM**

The ornamental design for an instrument cooling jacket with air purge, as shown and described.

DESCRIPTION

FIG. 1 is a perspective view of an instrument cooling jacket with air purge embodying the principles of the invention;

FIG. 2 is a side elevational view of the device of FIG. 1;

FIG. 3 is a side elevational view of the device of FIG. 1 rotated 90° from the showing of FIG. 2;

FIG. 4 is a side elevational view of the device of FIG. 1 rotated 180° from the showing of FIG. 2;

FIG. 5 is an end elevational view of the device of FIG. 1;

FIG. 6 is a side elevational view of the device of FIG. 1 rotated 180° from the showing of FIG. 3; and,

FIG. 7 is an end elevational view of the device of FIG. 1 rotated 180° from the showing of FIG. 5.

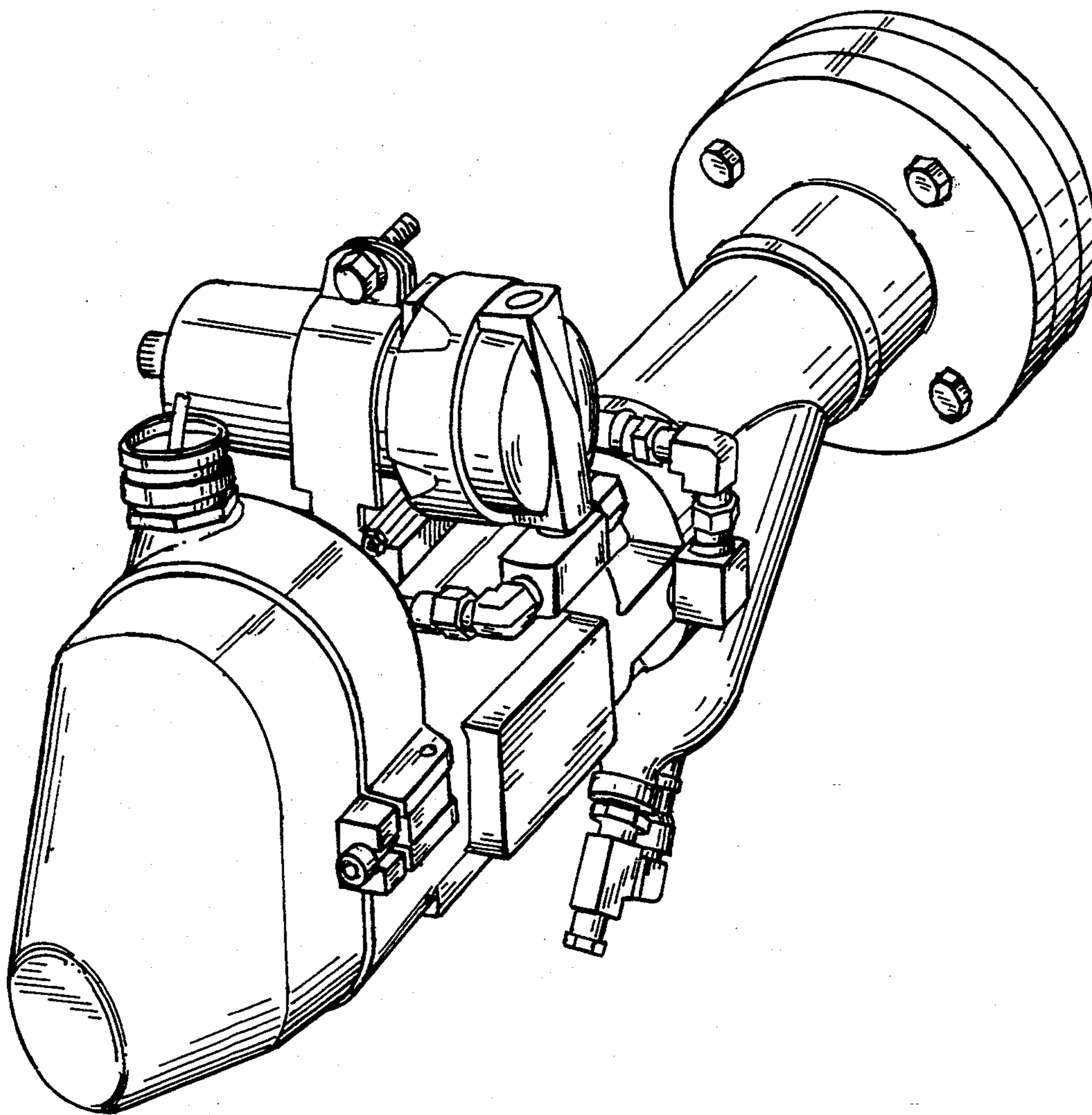


FIG. 1

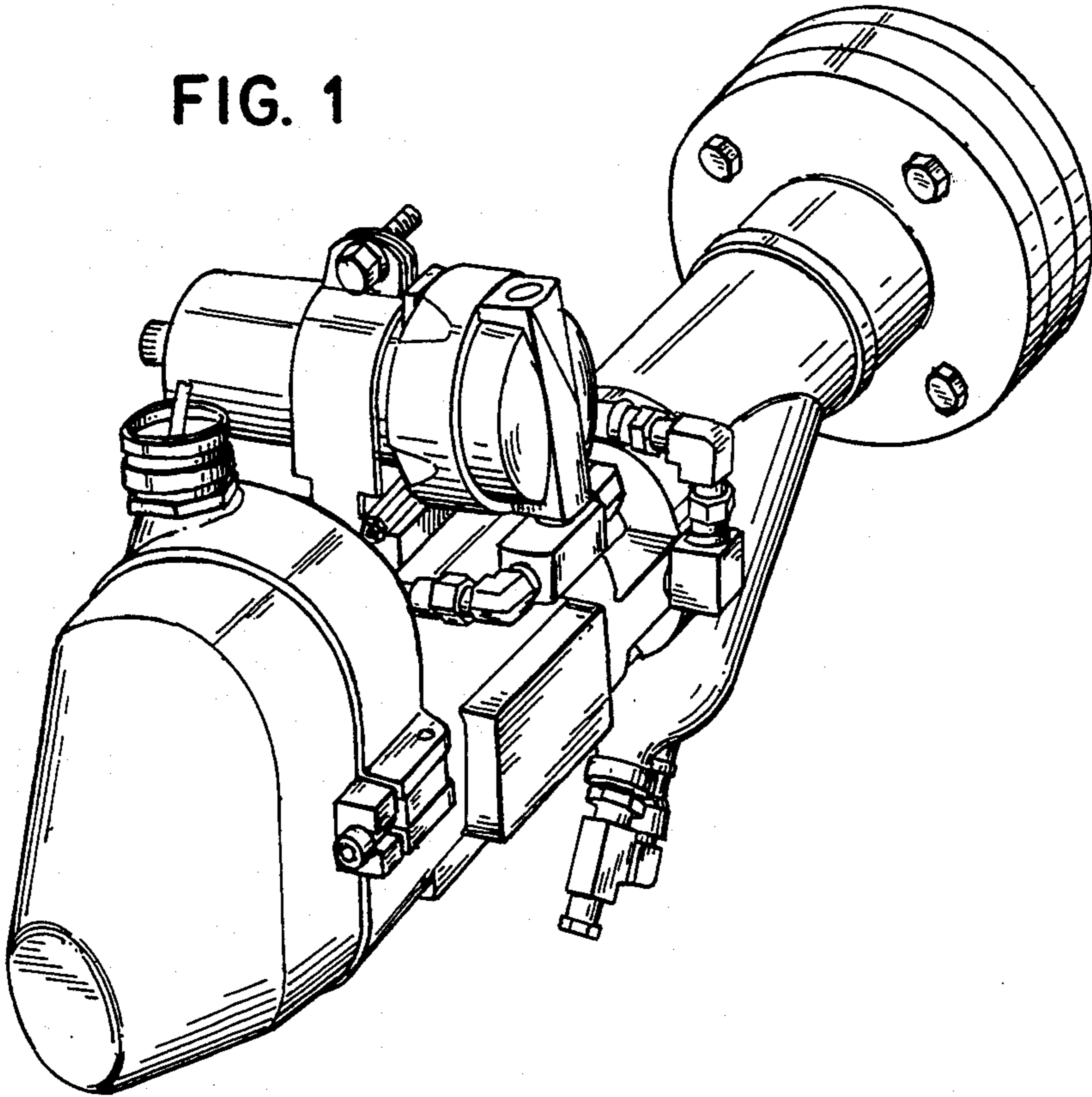


FIG. 2

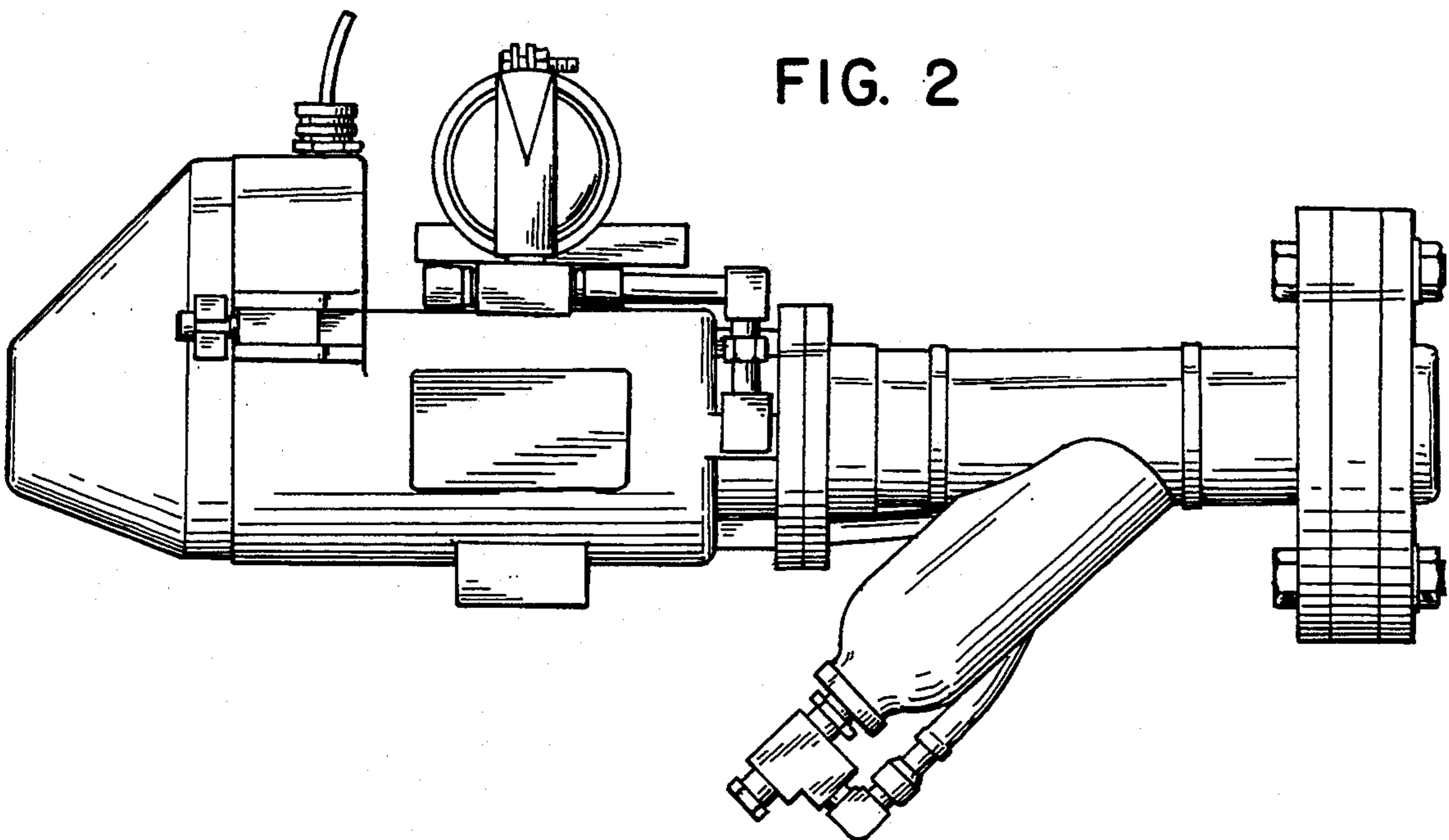


FIG. 3

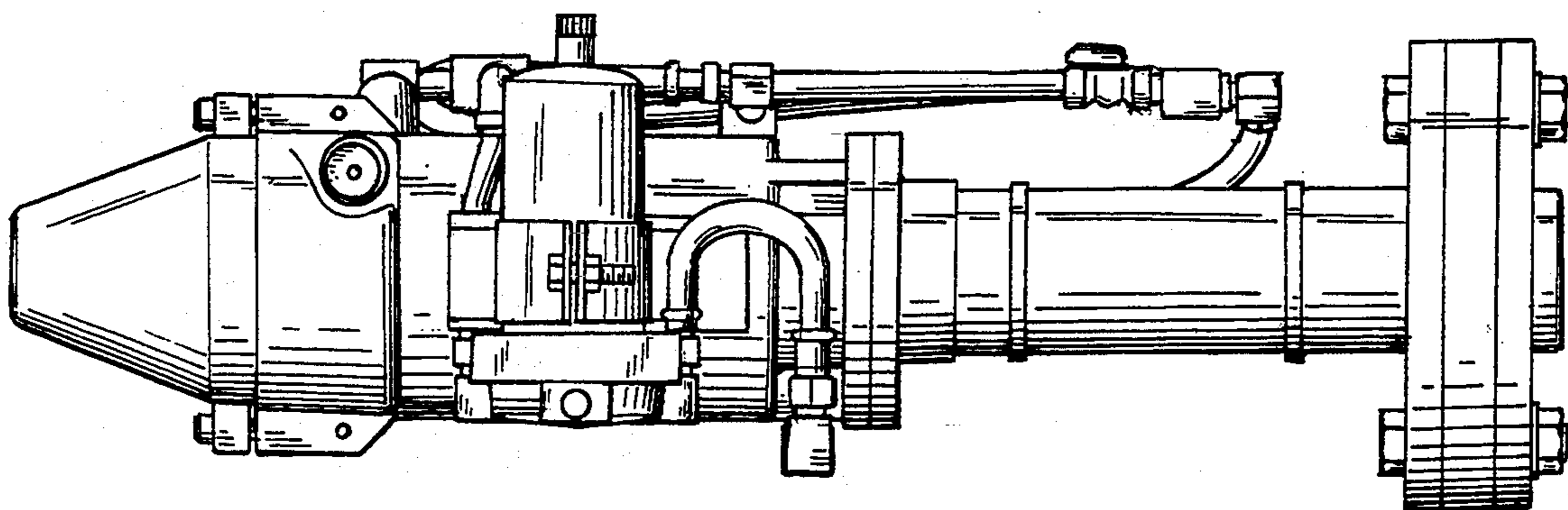


FIG. 4

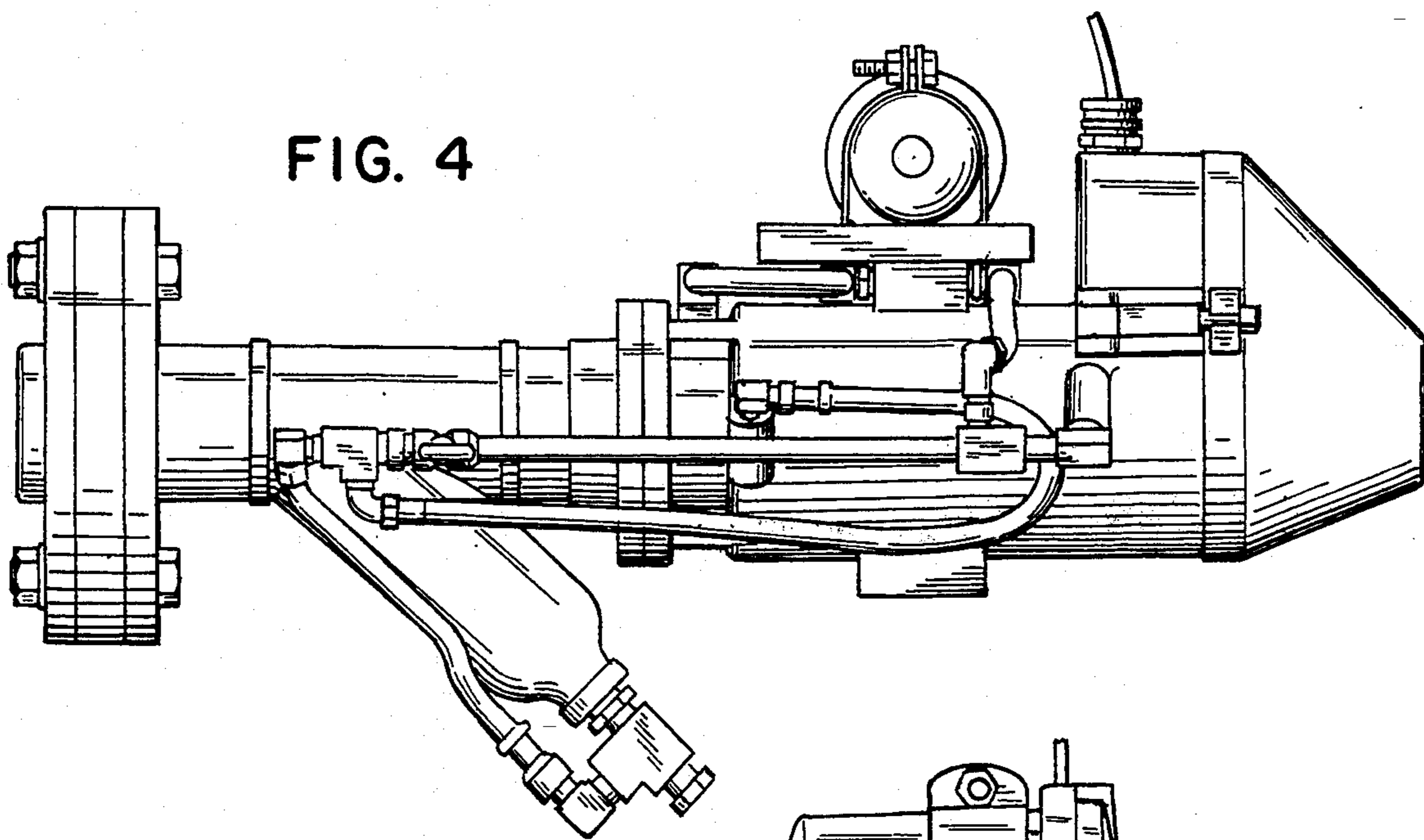


FIG. 5

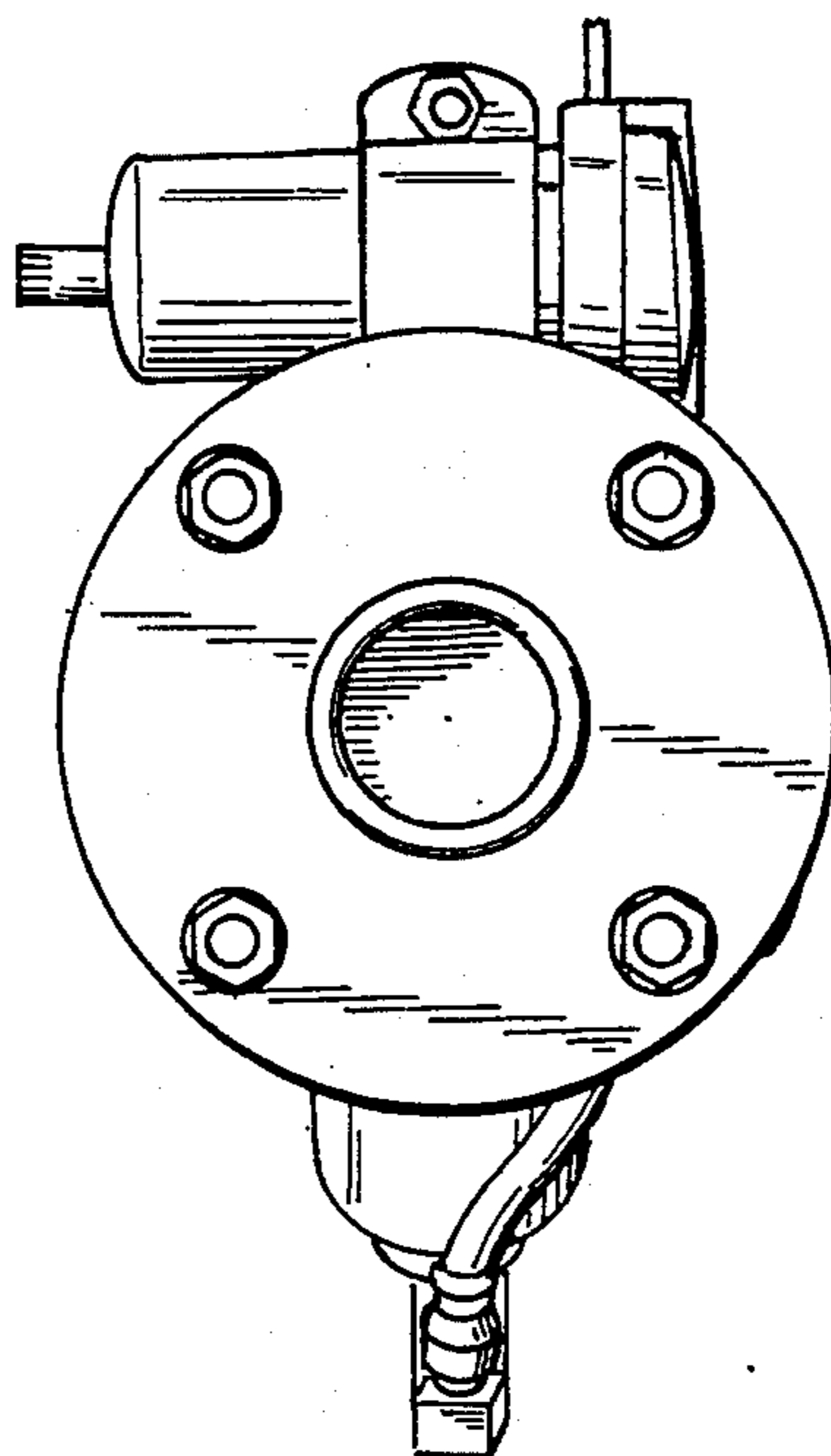


FIG. 6

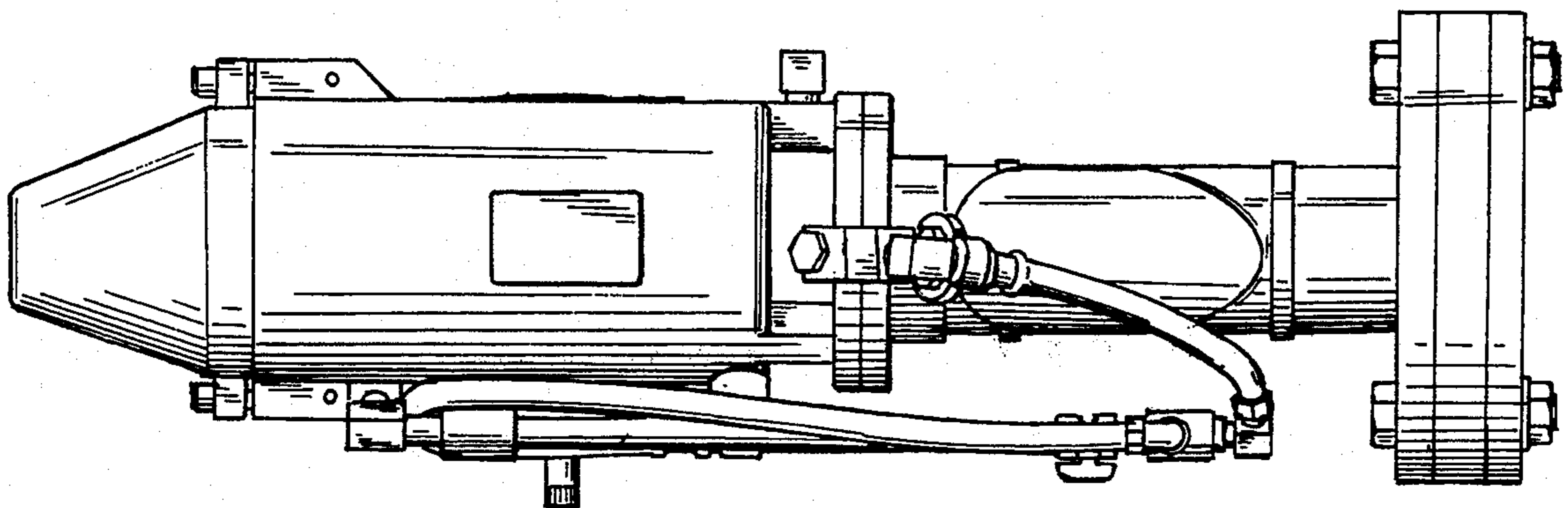


FIG. 7

