



US00D359912S

United States Patent [19]

[11] **Patent Number: Des. 359,912**

Wong

[45] **Date of Patent: ** Jul. 4, 1995**

[54] **TABLE CLOCK**

[75] **Inventor: Lai L. Wong, Shatin, Hong Kong**

[73] **Assignee: Ballanda Limited, Kwai Chung, Hong Kong**

[**] **Term: 14 Years**

[21] **Appl. No.: 19,773**

[22] **Filed: Mar. 4, 1994**

[52] **U.S. Cl. D10/18; D10/28**

[58] **Field of Search D10/1-40, D10/122-132; 368/276-277, 285, 316-317**

[56] **References Cited**

U.S. PATENT DOCUMENTS

- D. 309,572 7/1990 Suzuki D10/18
- D. 309,573 7/1990 Hirota D10/18
- D. 317,870 7/1991 Dumas D10/18
- D. 318,624 7/1990 Dumas D10/18 X
- D. 321,662 11/1991 Wada D10/18

FOREIGN PATENT DOCUMENTS

120031 6/1926 Switzerland D10/ X

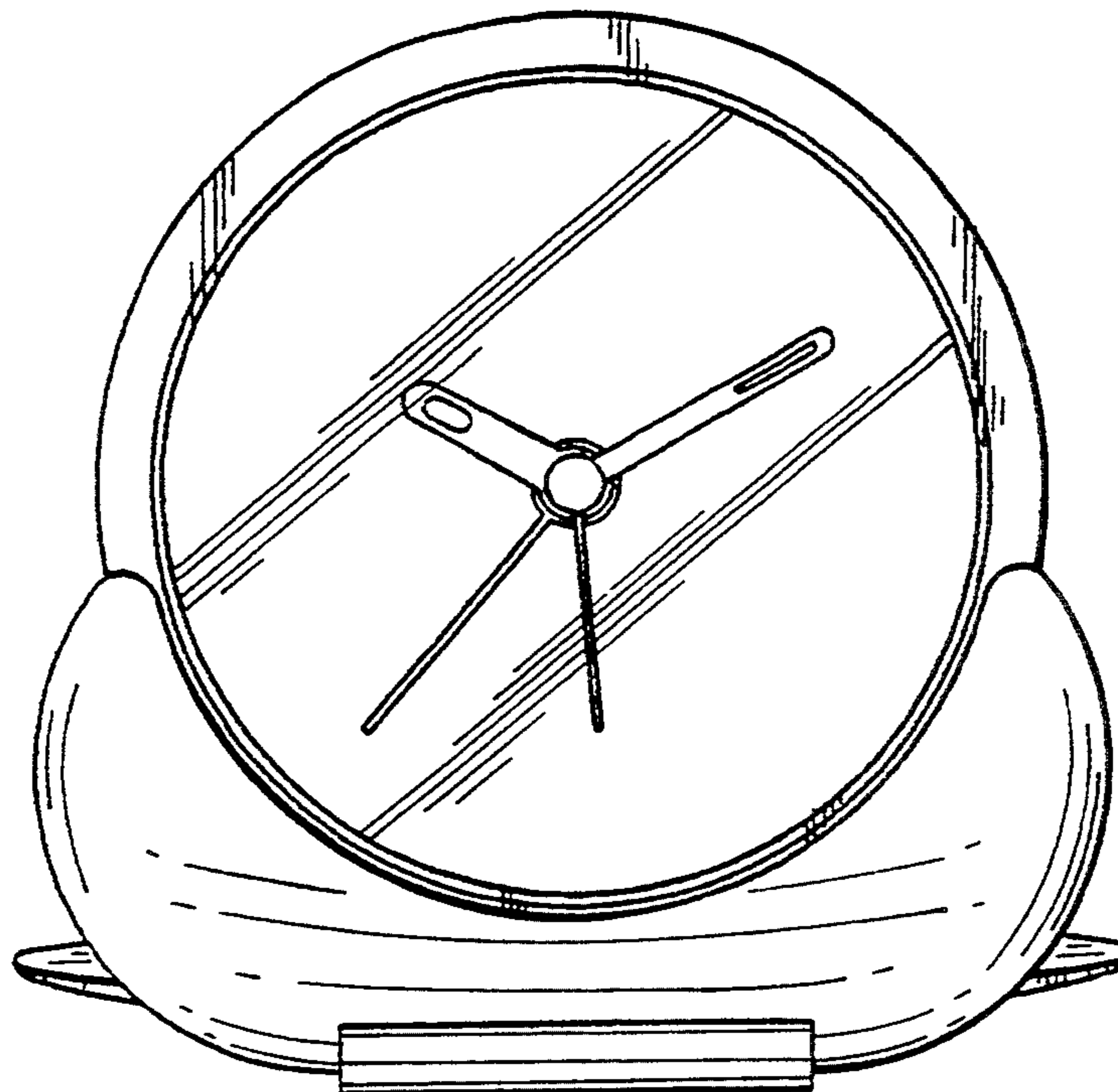
Primary Examiner—Nelson C. Holtje
Attorney, Agent, or Firm—Beveridge, DeGrandi, Weilacher & Young

[57] **CLAIM**

The ornamental design for a table clock, as shown and described.

DESCRIPTION

FIG. 1 is a front elevational view of a table clock showing my new design;
 FIG. 2 is a rear elevational view thereof;
 FIG. 3 is a left side elevational view thereof;
 FIG. 4 is a right side elevational view thereof;
 FIG. 5 is a top elevational view thereof;
 FIG. 6 is a bottom elevational view thereof;
 FIG. 7 is a covered front elevational view thereof;
 FIG. 8 is a covered side elevational view thereof; and,
 FIG. 9 is a covered bottom elevational view thereof.



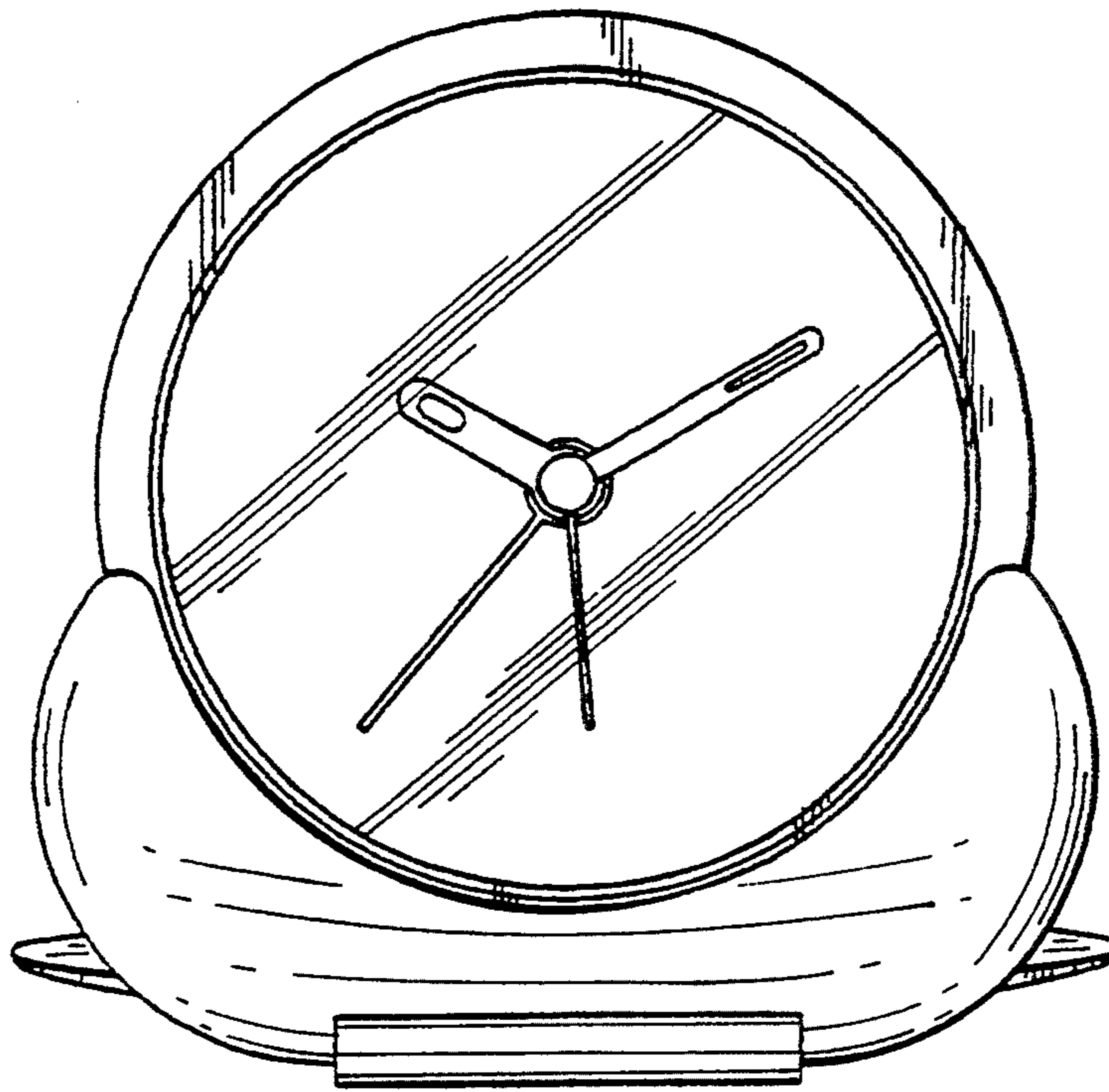


FIG. 1

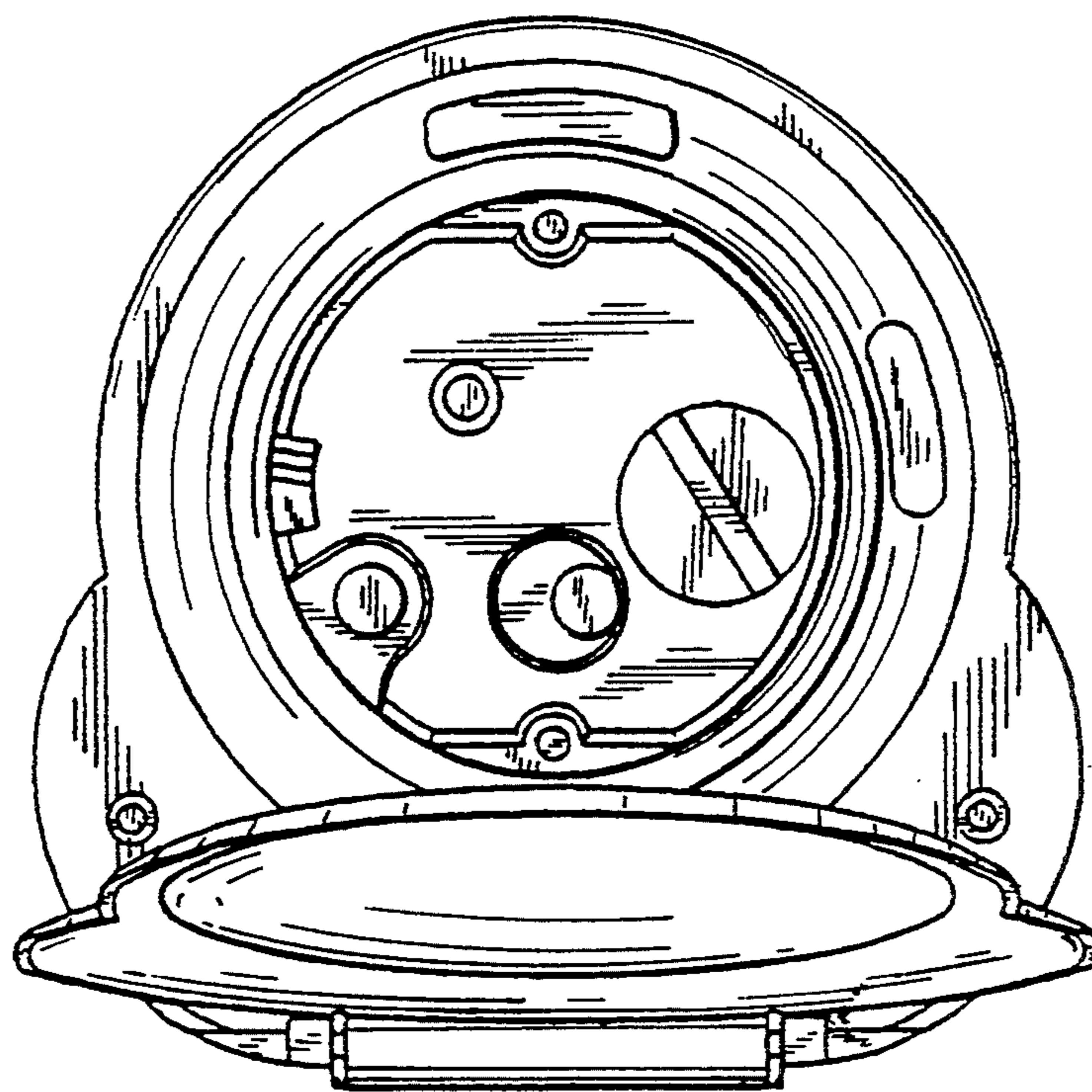


FIG. 2

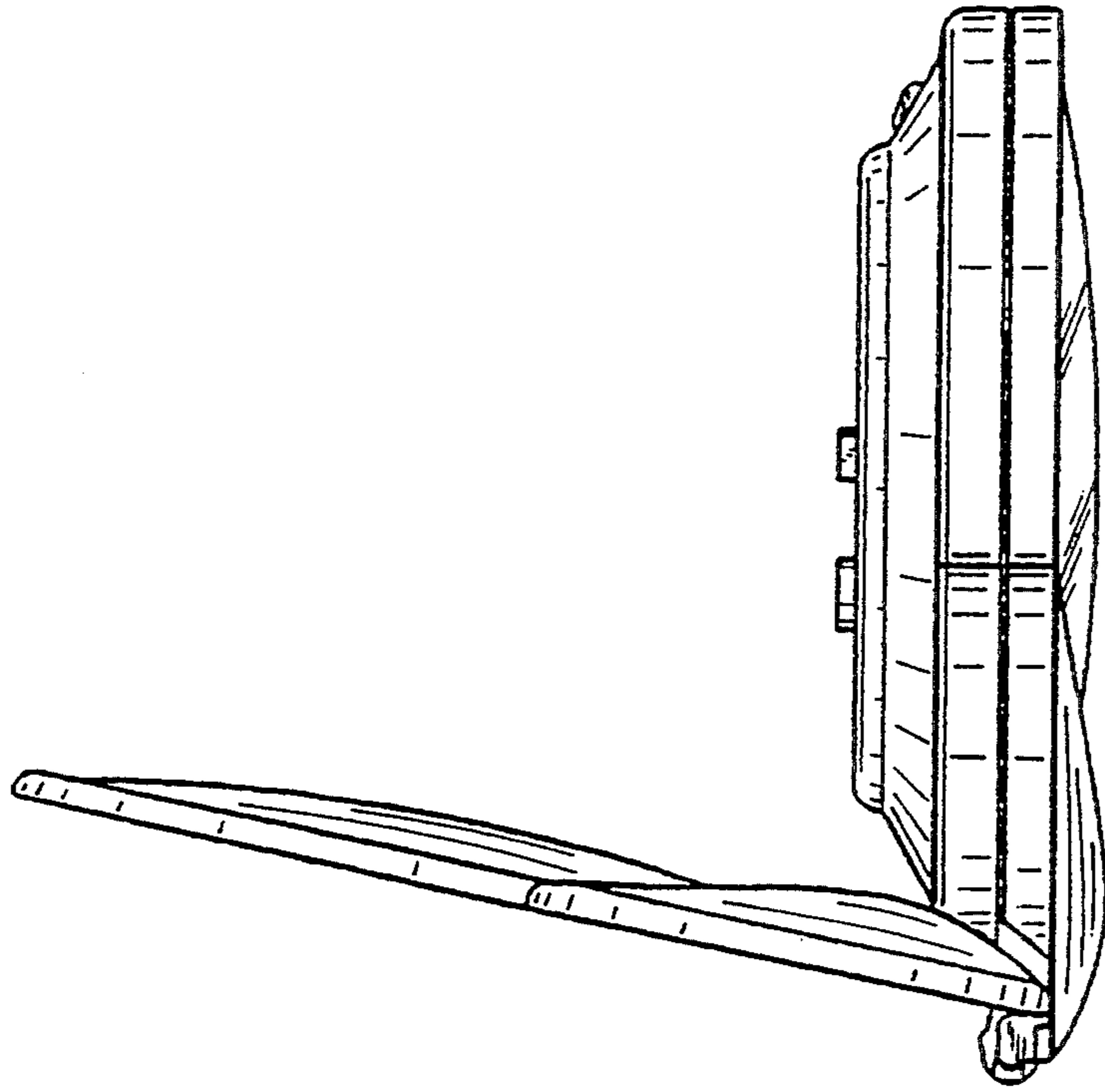


FIG. 3

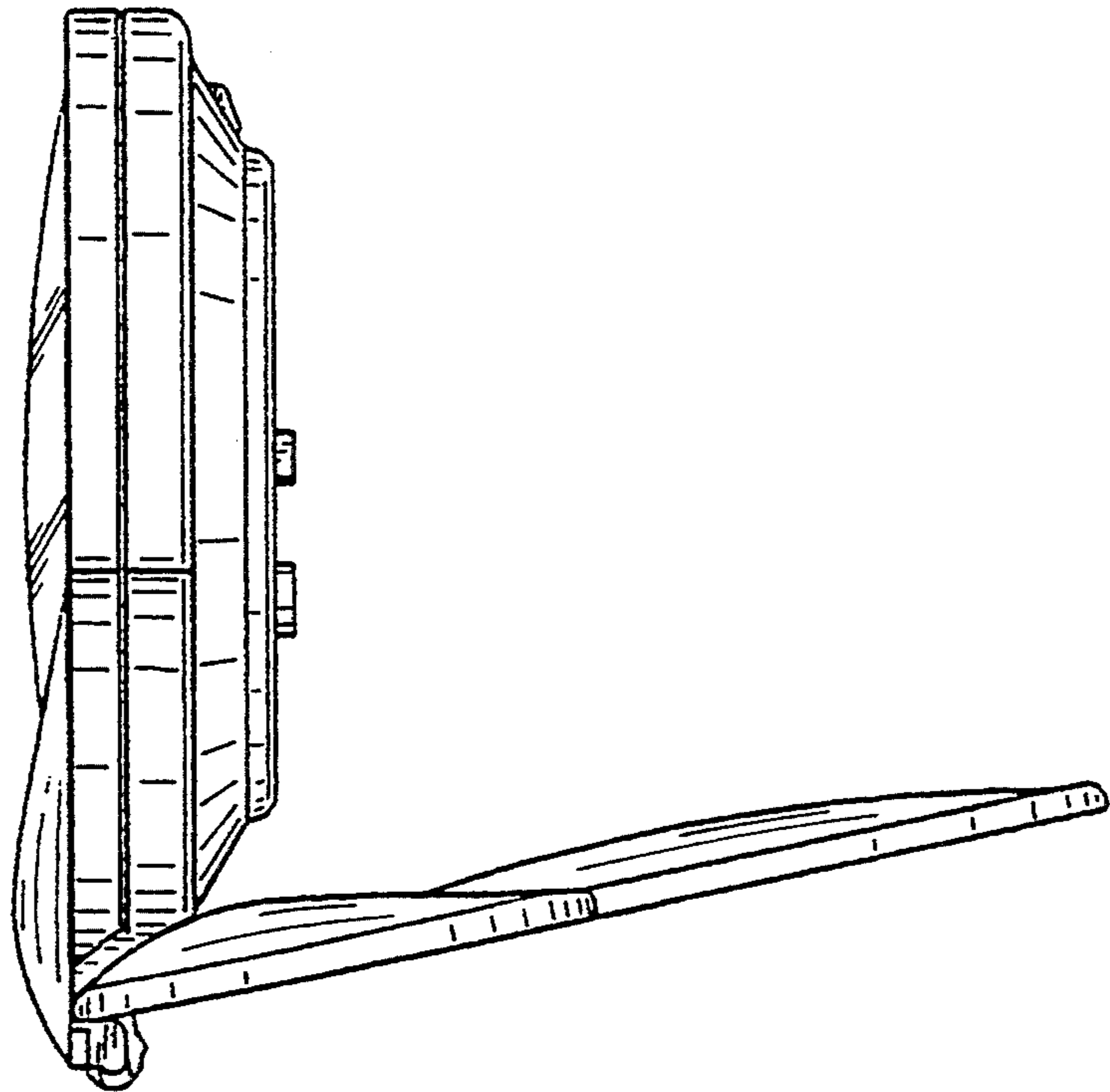


FIG. 4

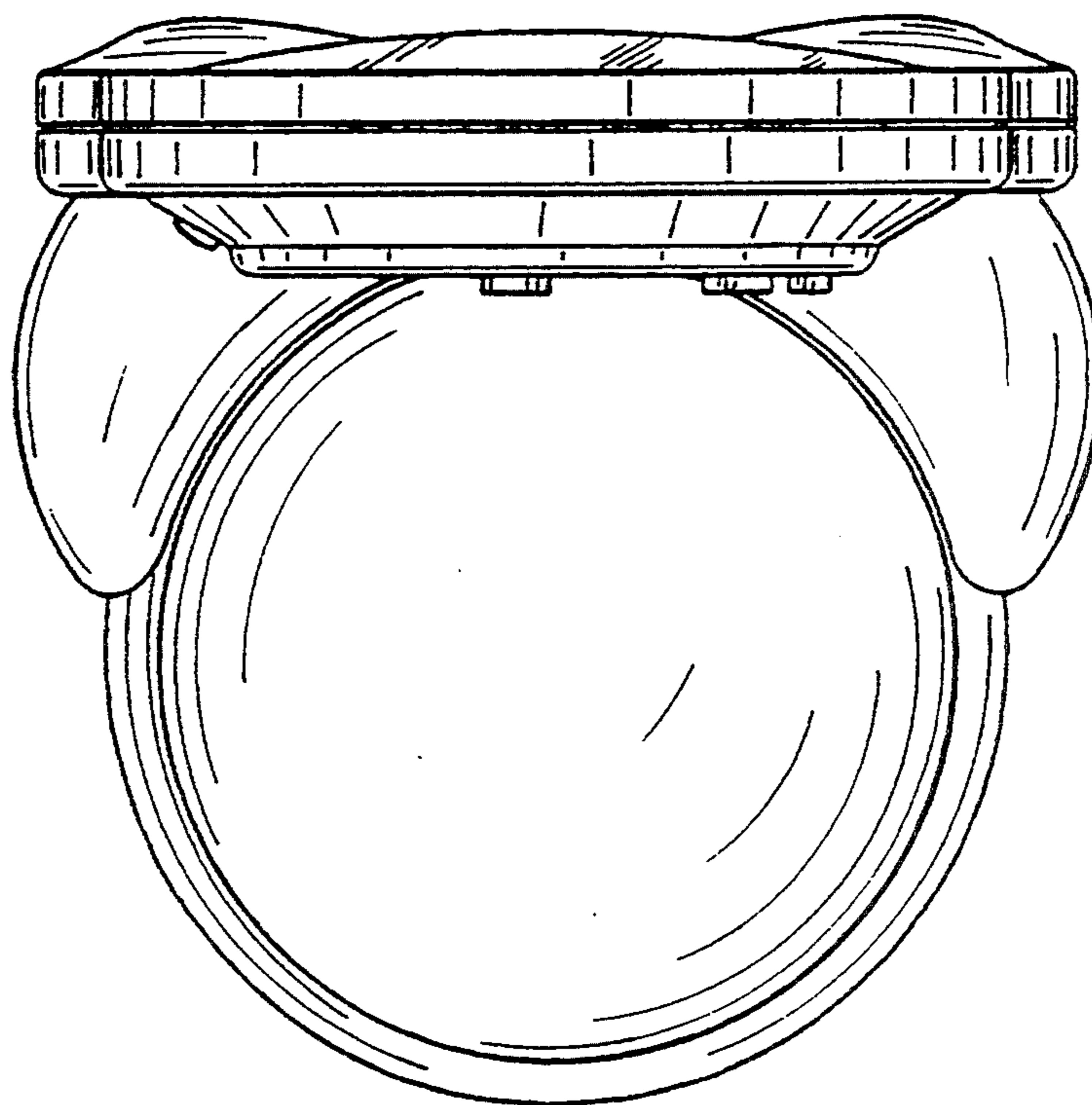


FIG. 5

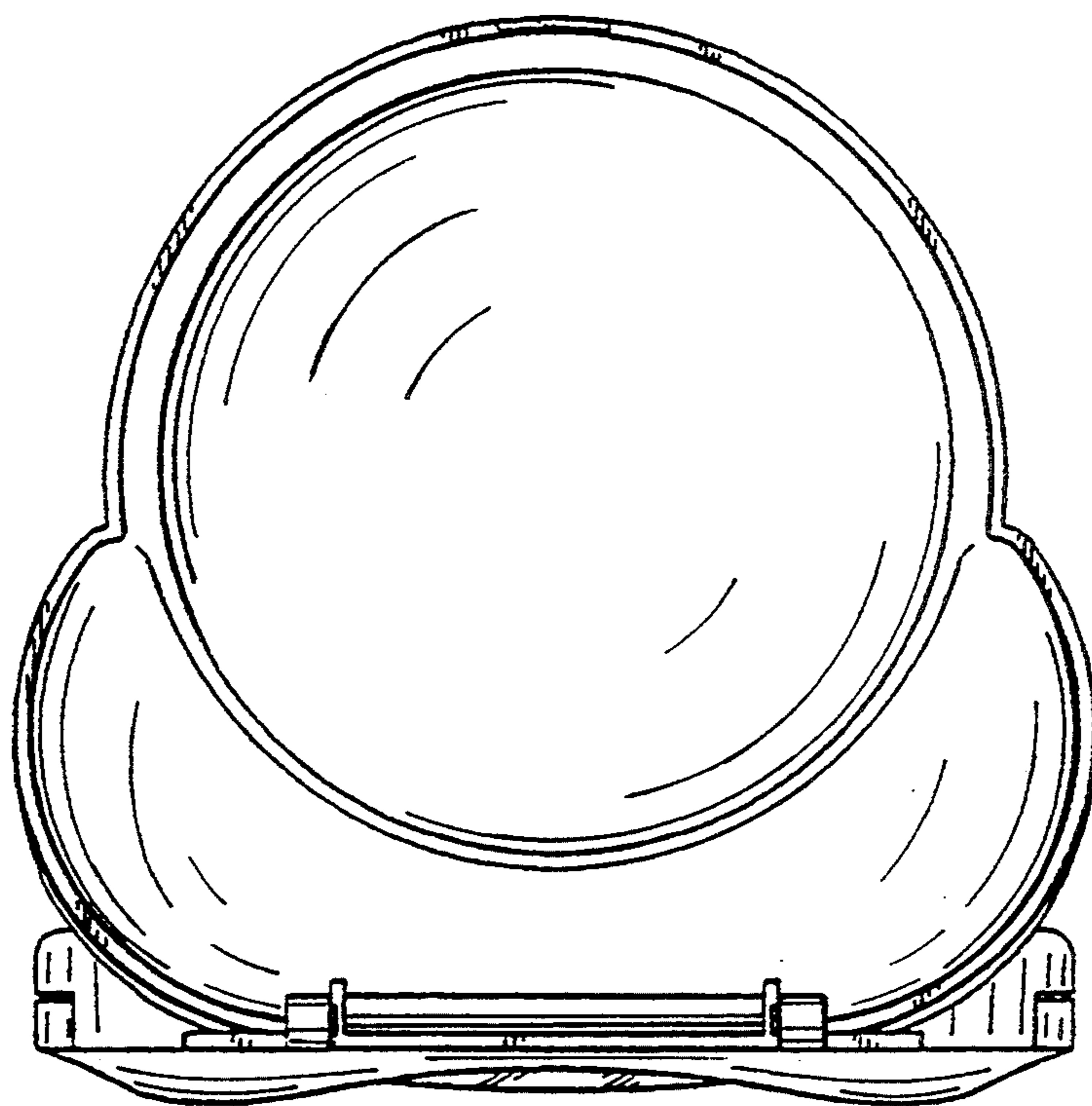


FIG. 6

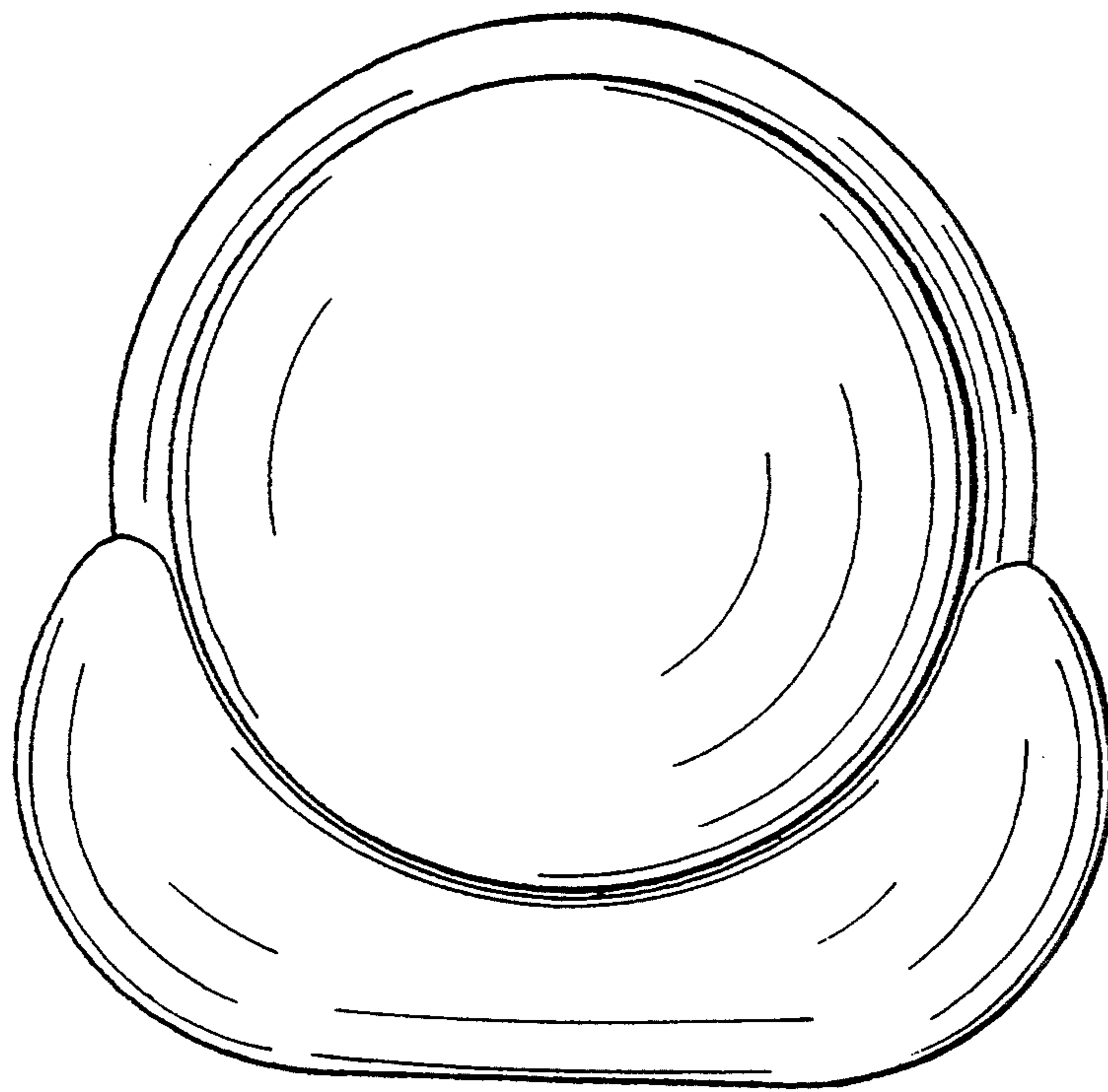


FIG. 7



FIG. 8

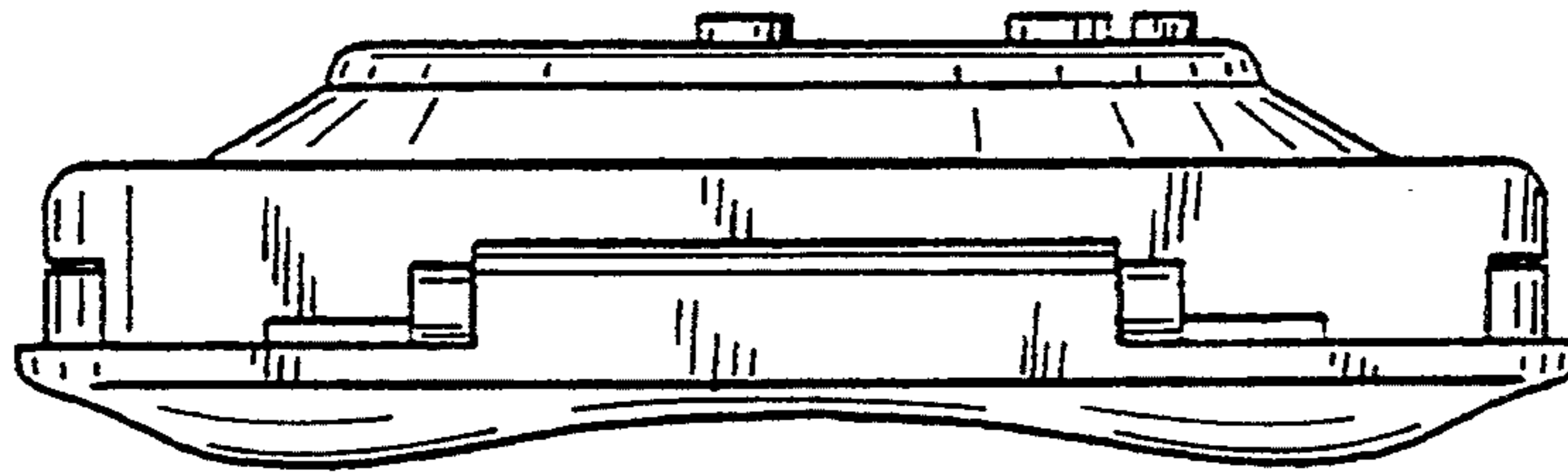


FIG. 9