



US00D359905S

United States Patent [19]

[11] Patent Number: **Des. 359,905**

Molo

[45] Date of Patent: **** Jul. 4, 1995**

[54] **SEAL WITH COVERED VENT**

[75] Inventor: **Nicholas J. Molo**, Kissimmee, Fla.

[73] Assignee: **Dart Industries Inc.**, Deerfield, Ill.

[**] Term: **14 Years**

[21] Appl. No.: **9,563**

[22] Filed: **May 21, 1993**

[52] U.S. Cl. **D9/447; D9/449**

[58] Field of Search **D7/629; D9/434-436, D9/444, 446-447, 449, 454; 206/503, 508; 215/228, 236, 272, 295; 220/254, 276, 288, 306, 367**

3,307,602 3/1967 Boster .

3,547,299 12/1970 Kepple 206/503

4,595,123 6/1986 Libit .

4,735,334 4/1988 Abbott .

4,736,858 4/1988 Shastal .

4,961,512 10/1990 Von Holdt 220/276

5,052,575 10/1991 Ravreby .

5,054,640 10/1991 Tucker .

5,076,493 12/1991 Anderson 220/288

5,108,029 4/1992 Abrams et al. 220/306

5,110,002 5/1992 Tucker .

Primary Examiner—Alan P. Douglas
Assistant Examiner—R. Spear
Attorney, Agent, or Firm—John A. Doninger

[56] **References Cited**
U.S. PATENT DOCUMENTS

Re. 18,982 10/1933 Rollason 206/503

D. 174,793 5/1955 Bliss .

D. 180,049 4/1957 Tupper .

D. 199,505 11/1964 Swett et al. .

D. 292,675 11/1987 Landecker D9/447

D. 312,405 11/1990 Kenyon, Jr. D9/447

D. 312,552 12/1990 Carlson .

2,207,757 7/1940 Reardon 206/503

2,448,893 9/1948 Lamar 215/228

2,882,947 4/1959 Close .

2,901,098 8/1959 Tupper 220/276

3,044,611 7/1962 Tupper 220/276

3,187,964 6/1965 Foster .

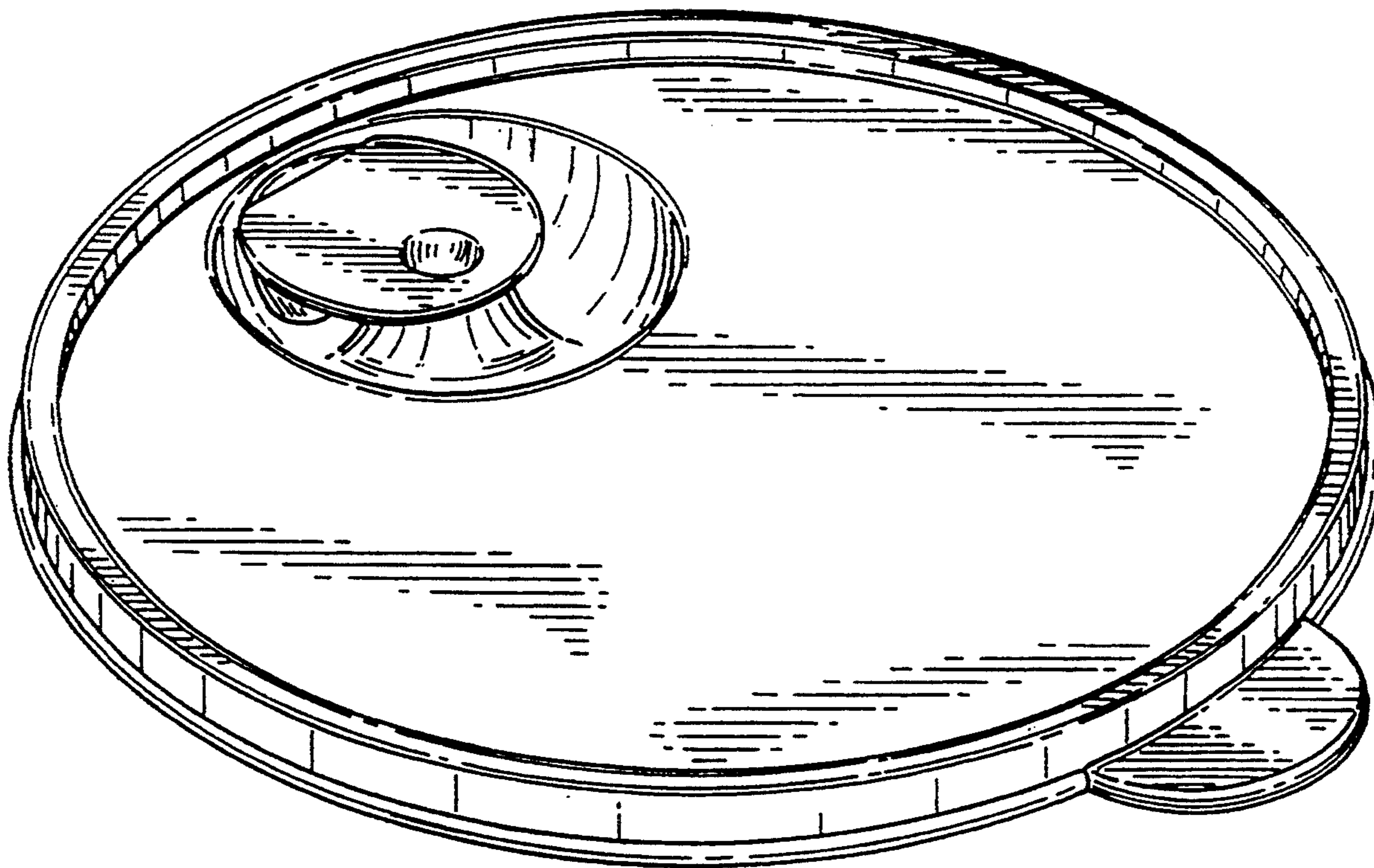
3,255,928 6/1966 Foster .

3,301,464 1/1967 Amberg D9/454 X

[57] **CLAIM**
 The ornamental design for a seal with covered vent, as shown and described.

DESCRIPTION

FIG. 1 is a top perspective view of a seal with covered vent showing my new design;
 FIG. 2 is a fragmentary top perspective view thereof with the vent cover exploded;
 FIG. 3 is a top plan view thereof;
 FIG. 4 is a side elevational view thereof, the opposite side being a mirror image;
 FIG. 5 is a front elevational view thereof;
 FIG. 6 is a bottom plan view thereof;
 FIG. 7 is a rear elevational view thereof; and,
 FIG. 8 is an enlarged cross-sectional view on line 8—8 in FIG. 3.



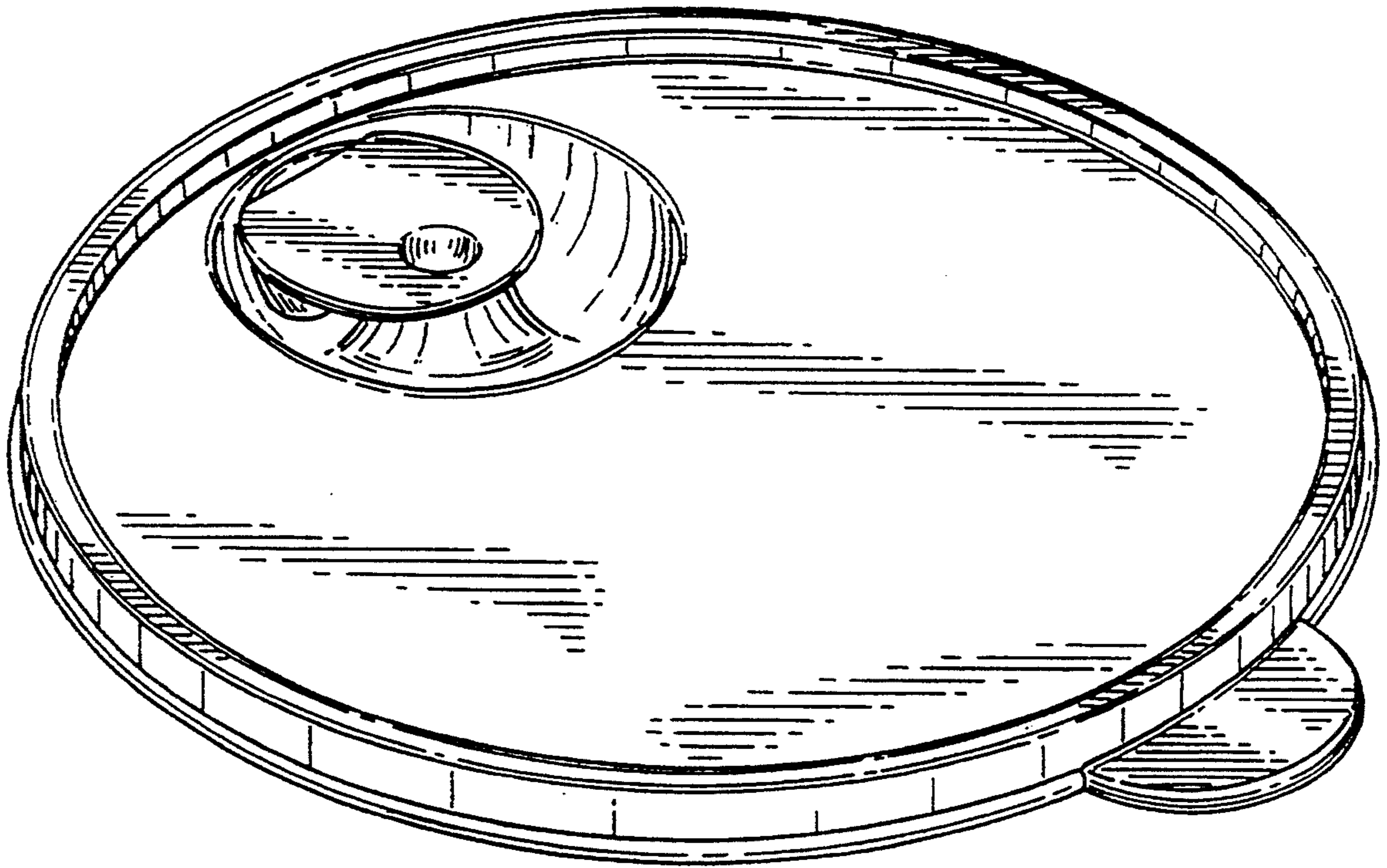


FIG. 1

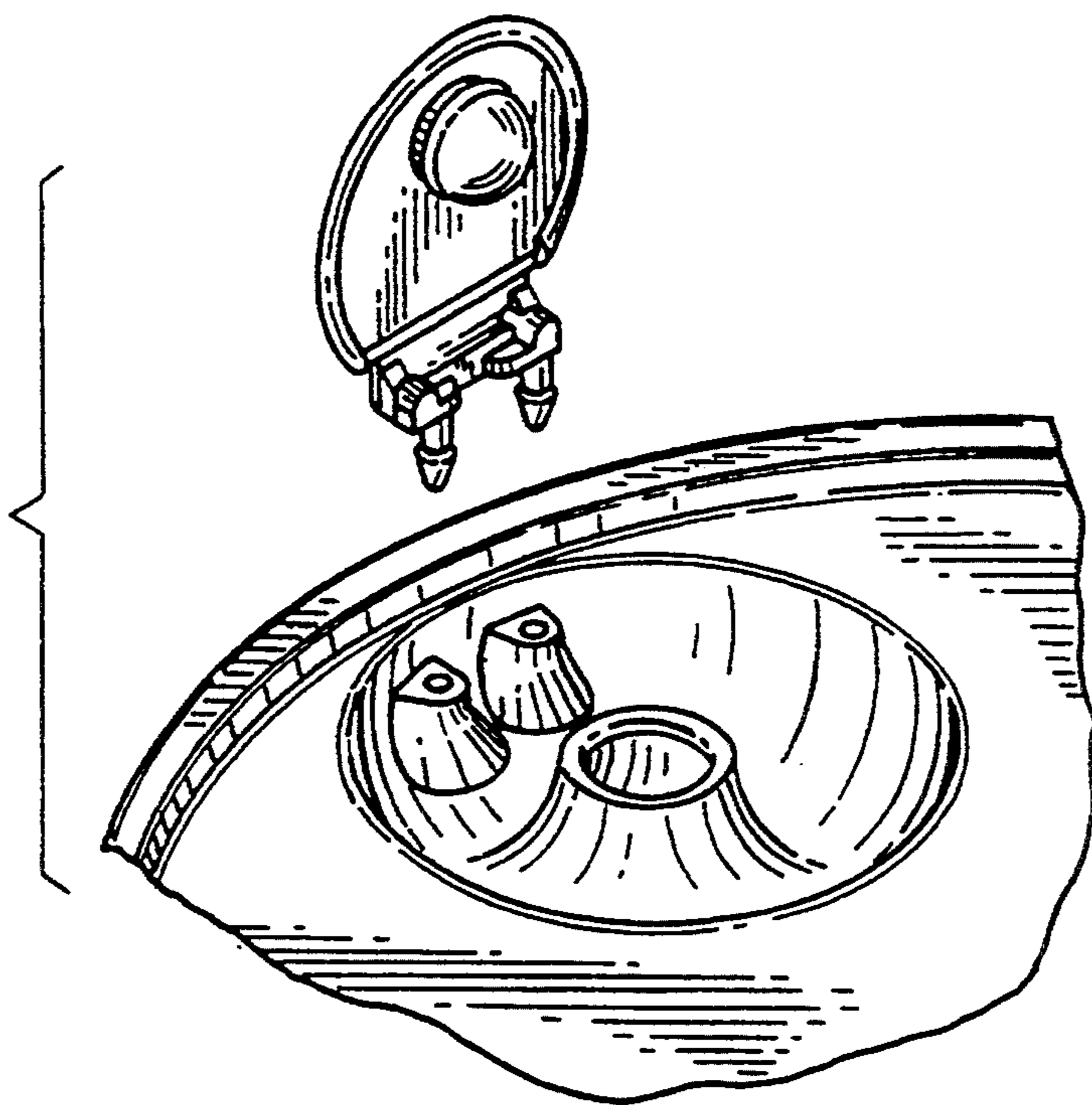


FIG. 2

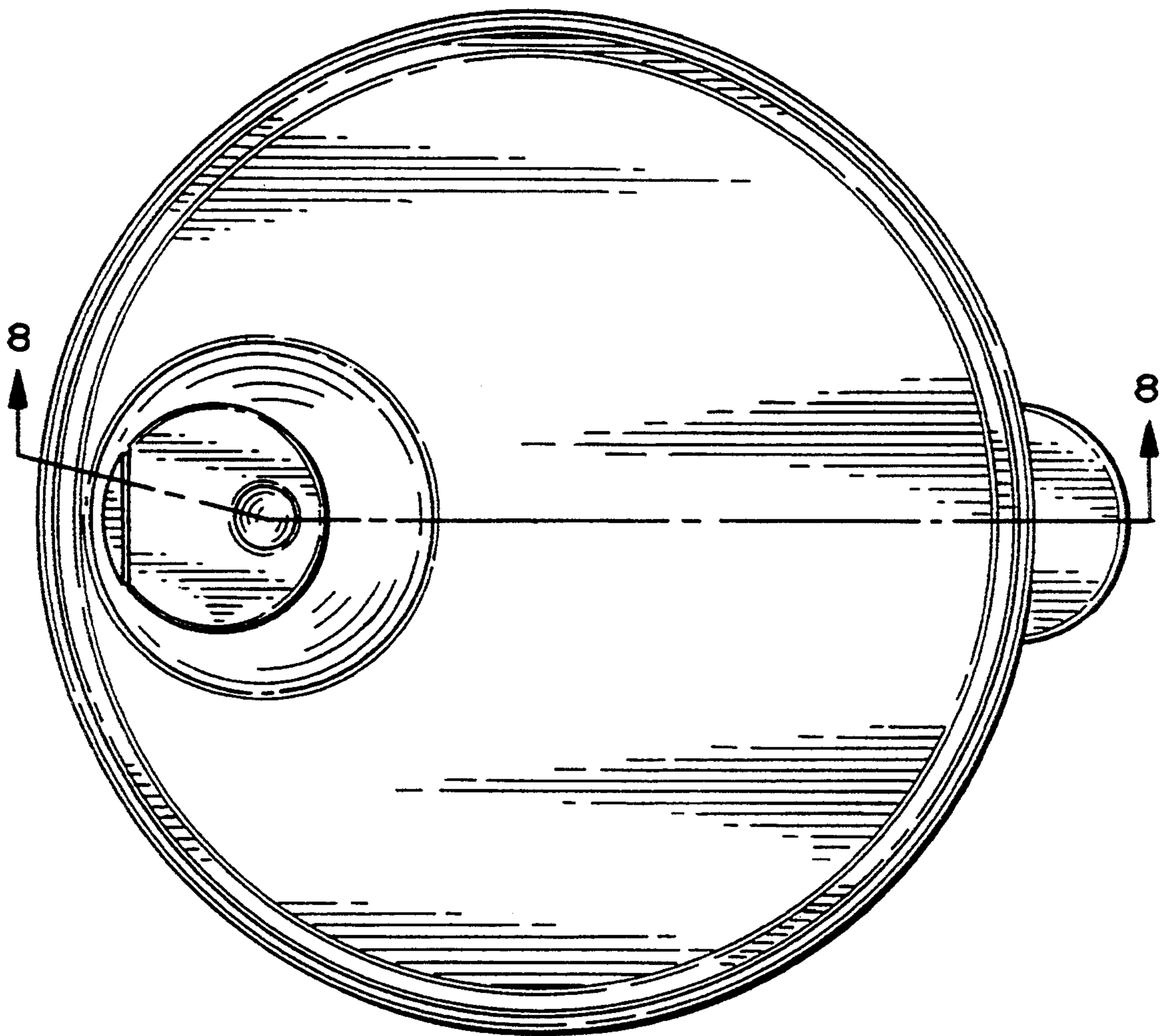


FIG. 3

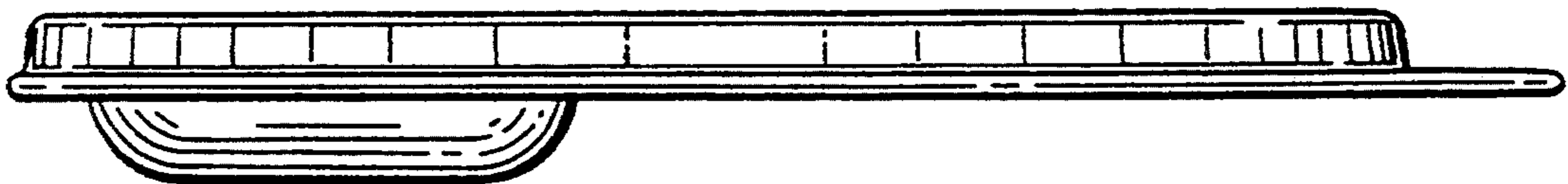


FIG. 4

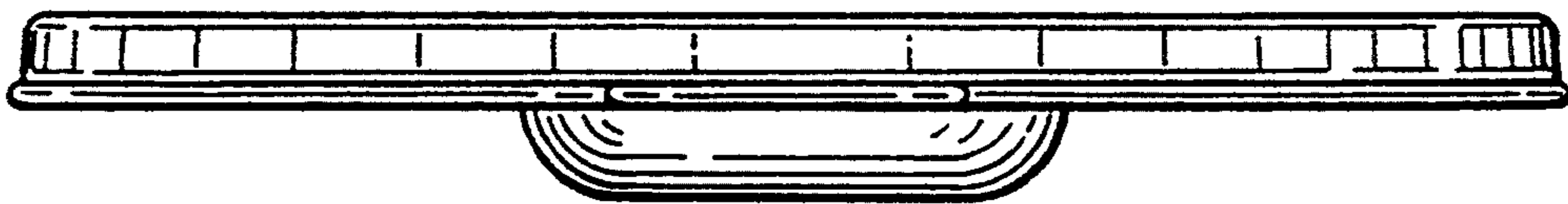


FIG. 5

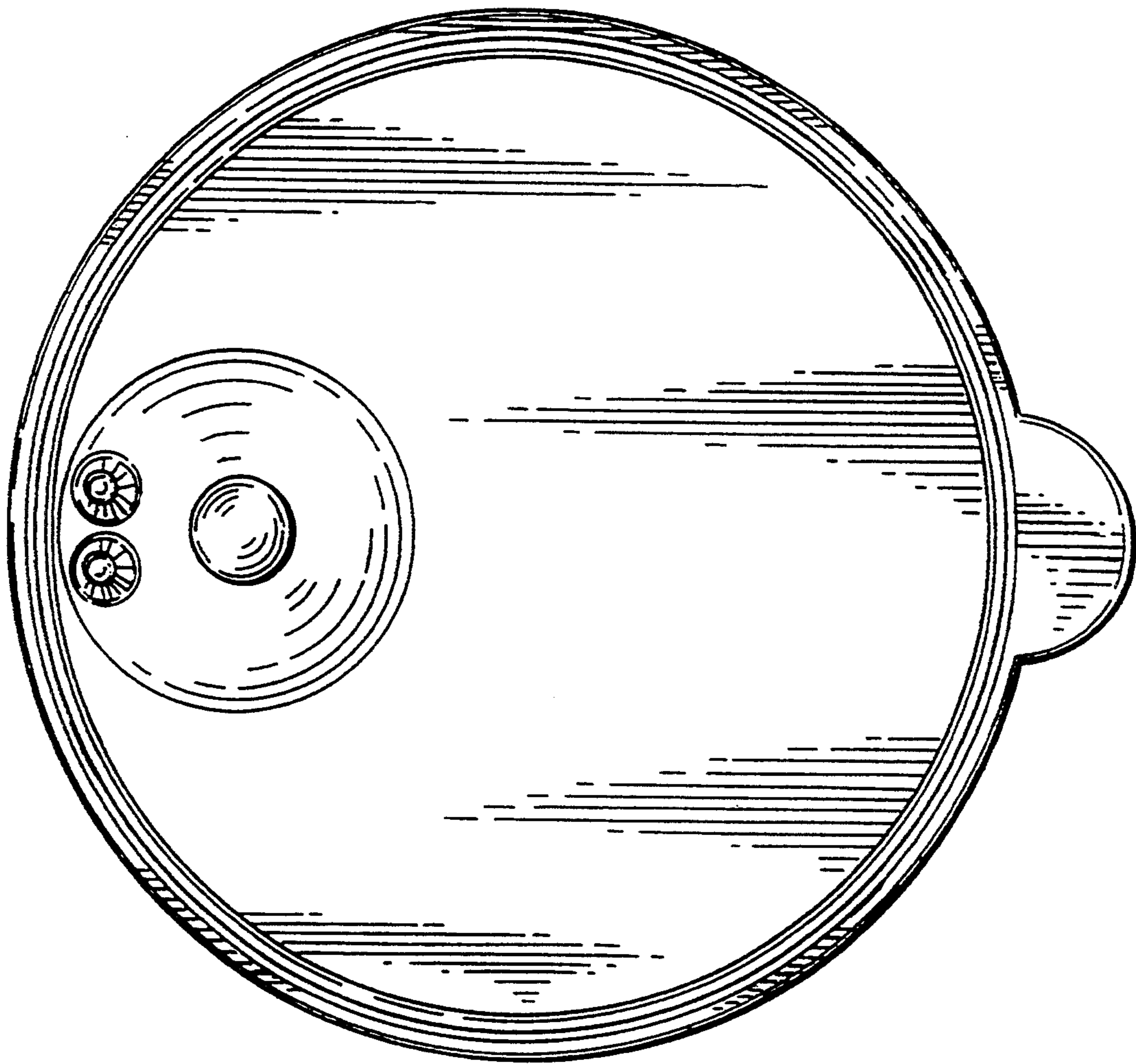


FIG. 6

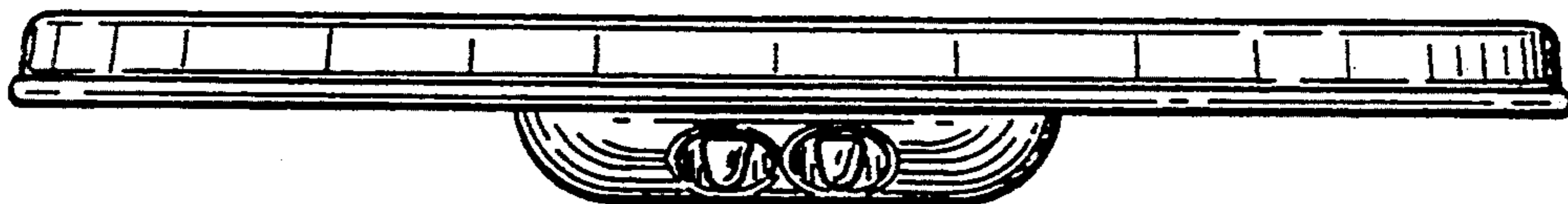


FIG. 7

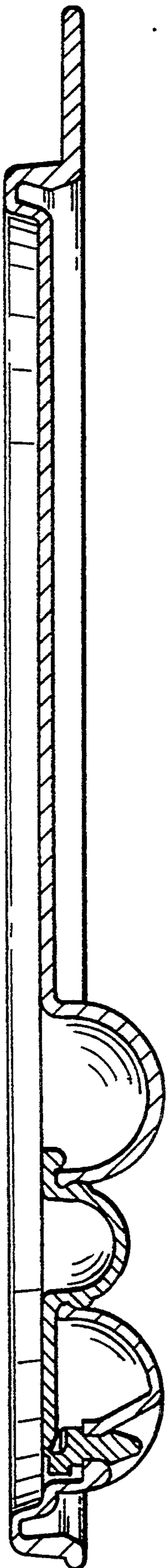


FIG. 8