



US00D359904S

United States Patent [19]

[11] Patent Number: **Des. 359,904**

Mabry

[45] Date of Patent: **** Jul. 4, 1995**

[54] **COMBINATION LID AND BOX**

[75] Inventor: **Michael K. Mabry**, Piedmont, Calif.

[73] Assignee: **Paula LeDuc, Inc.**, Emeryville, Calif.

[**] Term: **14 Years**

[21] Appl. No.: **8,759**

[22] Filed: **May 26, 1993**

[52] U.S. Cl. **D9/432; D9/431**

[58] Field of Search **D9/432, 431, 422, 414, D9/322; 229/111-113, 23 BT, 100, 125.19; 220/8, 909; D28/78, 83, 91**

4,483,095 11/1984 Webinger 229/23 BT X
 5,046,635 9/1991 Hass et al. 220/909 X

OTHER PUBLICATIONS

Packaging Catalog, 1962, p. 288, item #1013.

Primary Examiner—Prabhakar G. Deshmukh
Attorney, Agent, or Firm—Kathleen A. Skinner

CLAIM

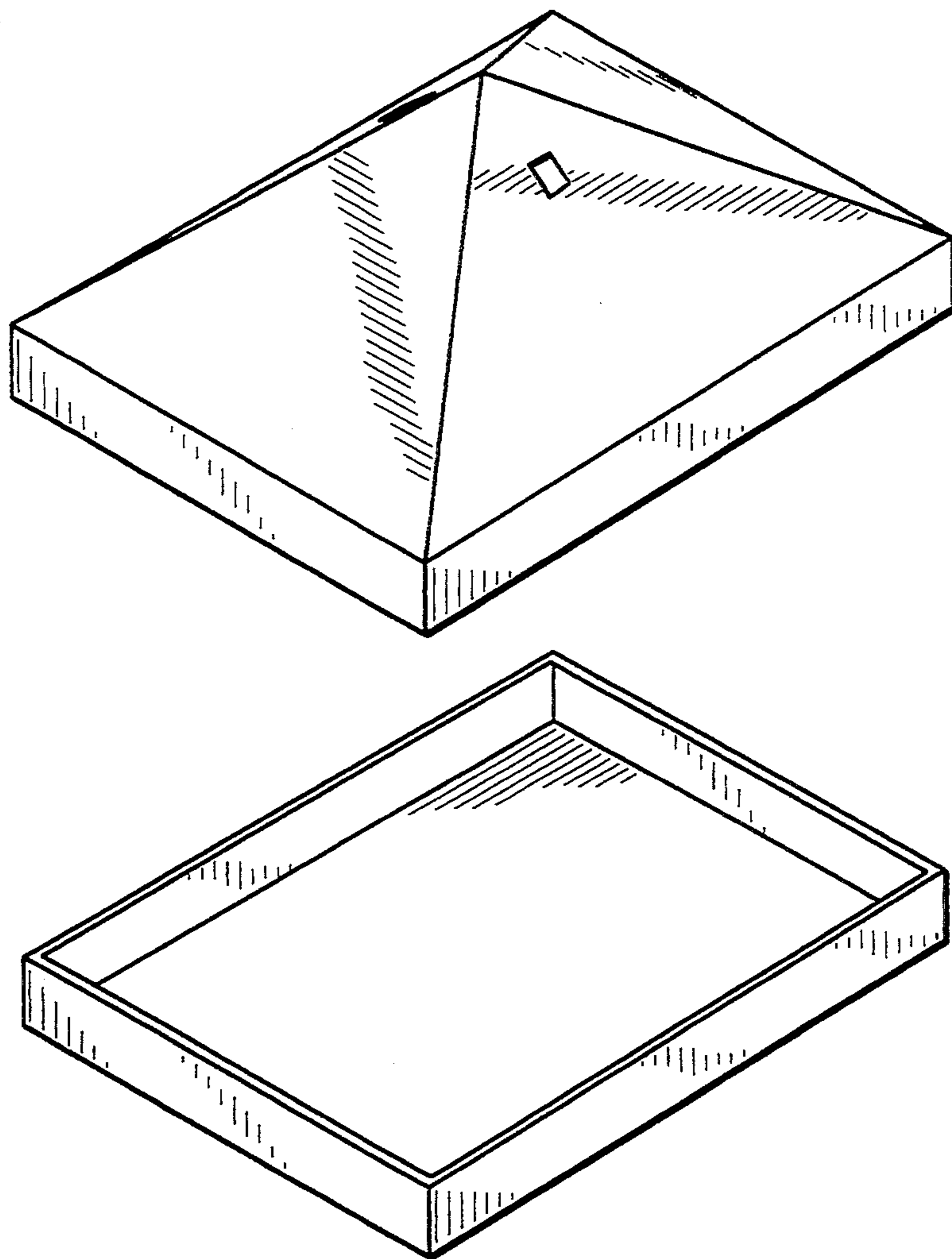
The ornamental design for a combination lid and box, as shown and described.

DESCRIPTION

FIG. 1 is a top perspective view of a combination lid and box showing my new design;
 FIG. 2 is an exploded top perspective view thereof;
 FIG. 3 is a front elevational view thereof; the rear elevational view being a mirror image thereof;
 FIG. 4 is a top plan view thereof;
 FIG. 5 is a left side elevational view thereof; the right side elevational view being a mirror image thereof; and,
 FIG. 6 is a bottom plan view of the lid thereof.
 The bottom of the box is plane and unornamented.

[56] **References Cited**
U.S. PATENT DOCUMENTS

D. 87,217	6/1932	Kahle	D9/322
D. 154,928	8/1949	Kramer	D9/322
D. 317,262	6/1991	Bluff	D9/431
2,639,854	5/1953	Thurston	229/125.19
3,616,989	11/1971	Martinek et al.	229/125.19
3,632,038	12/1969	Souza	229/125.19
3,926,362	12/1975	Beck et al.	229/23 BT



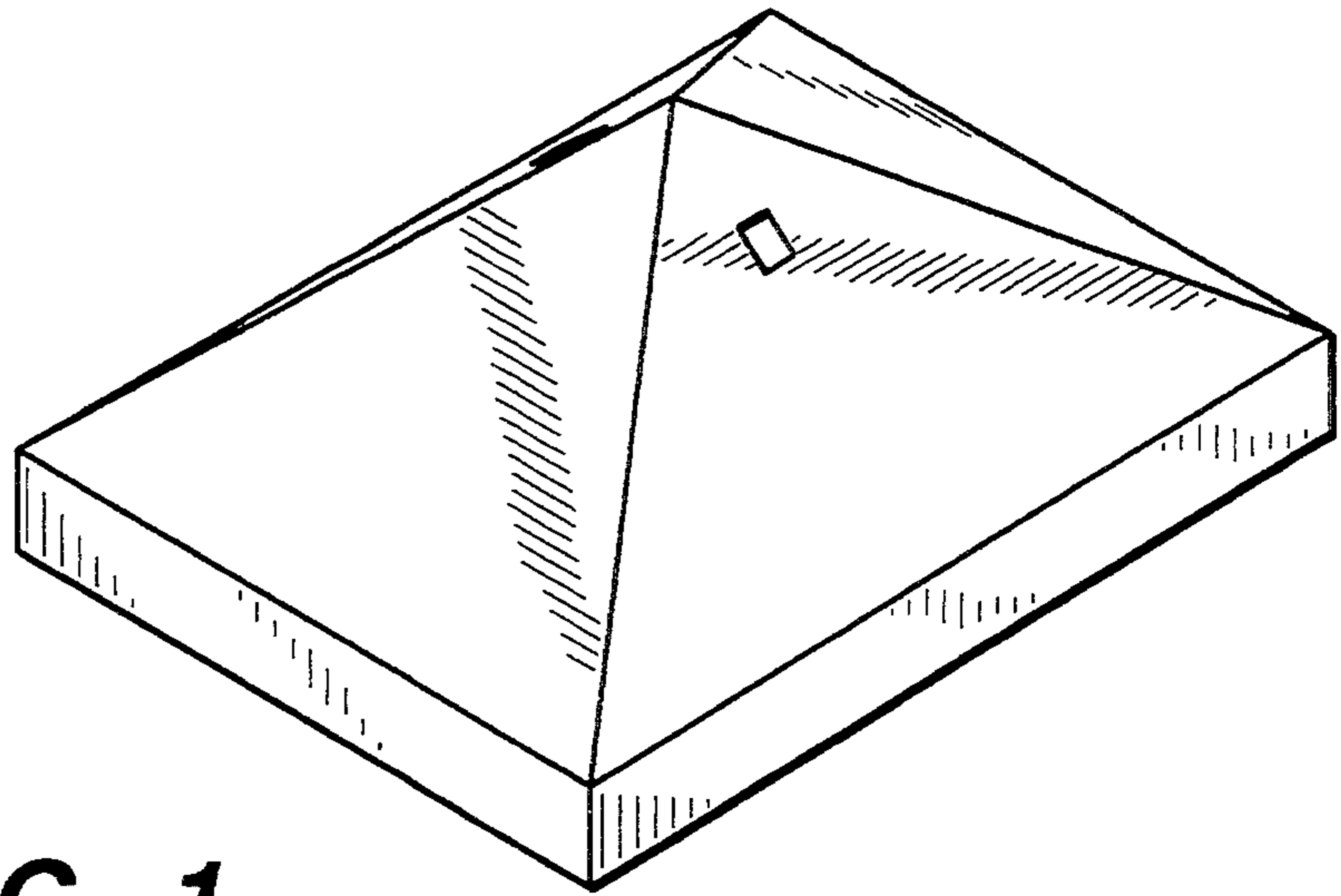


FIG. 1

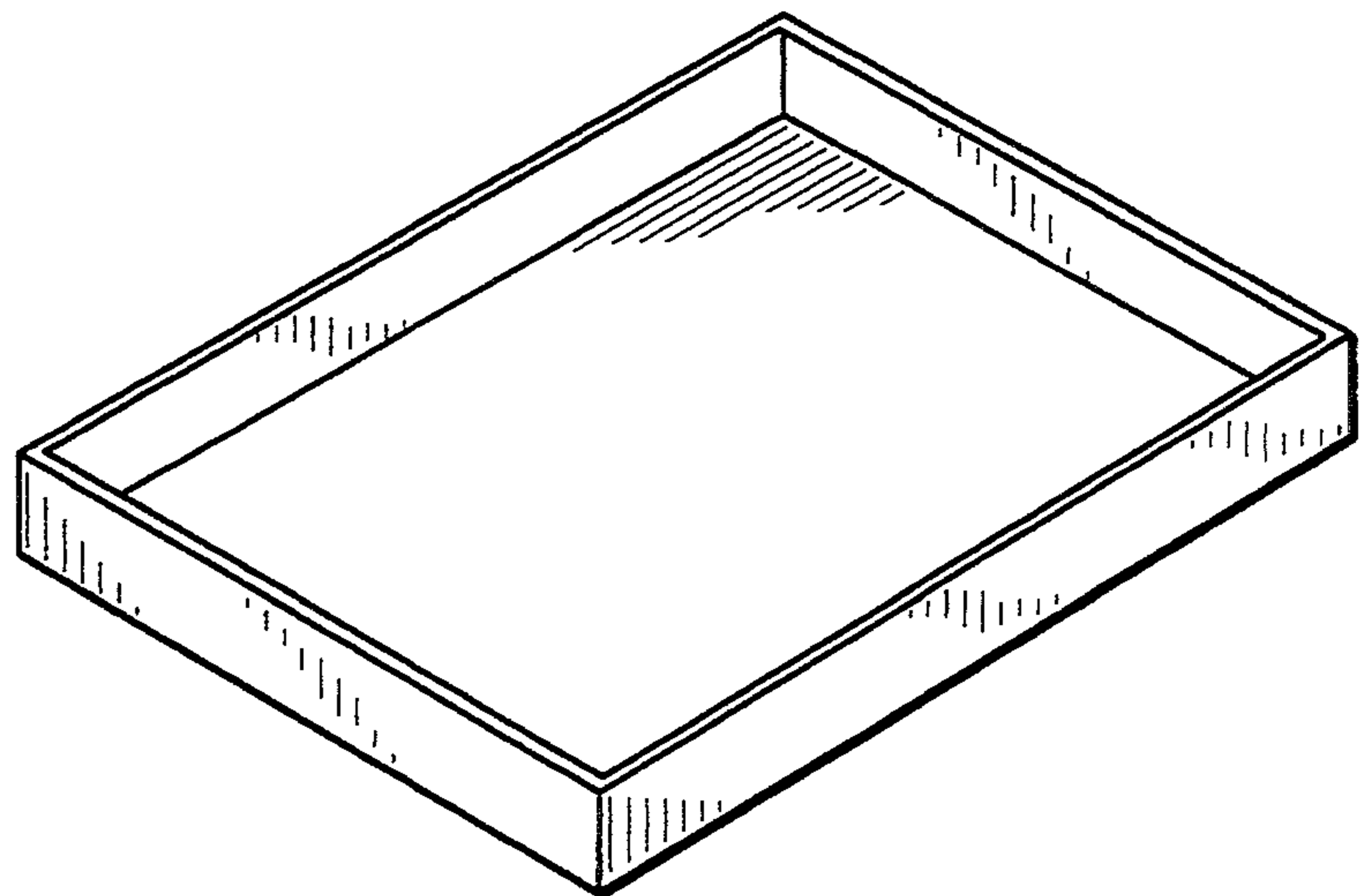
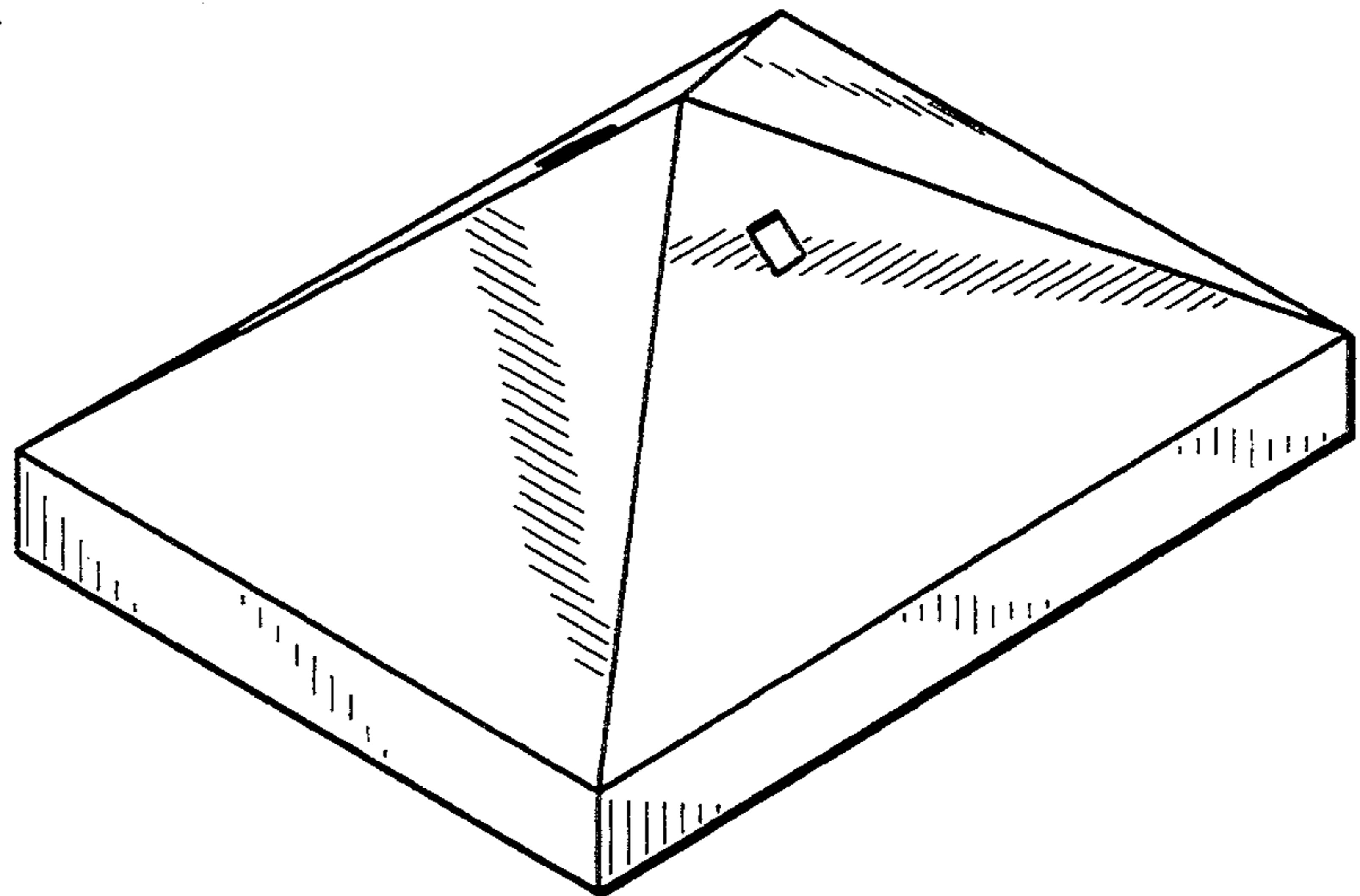


FIG. 2

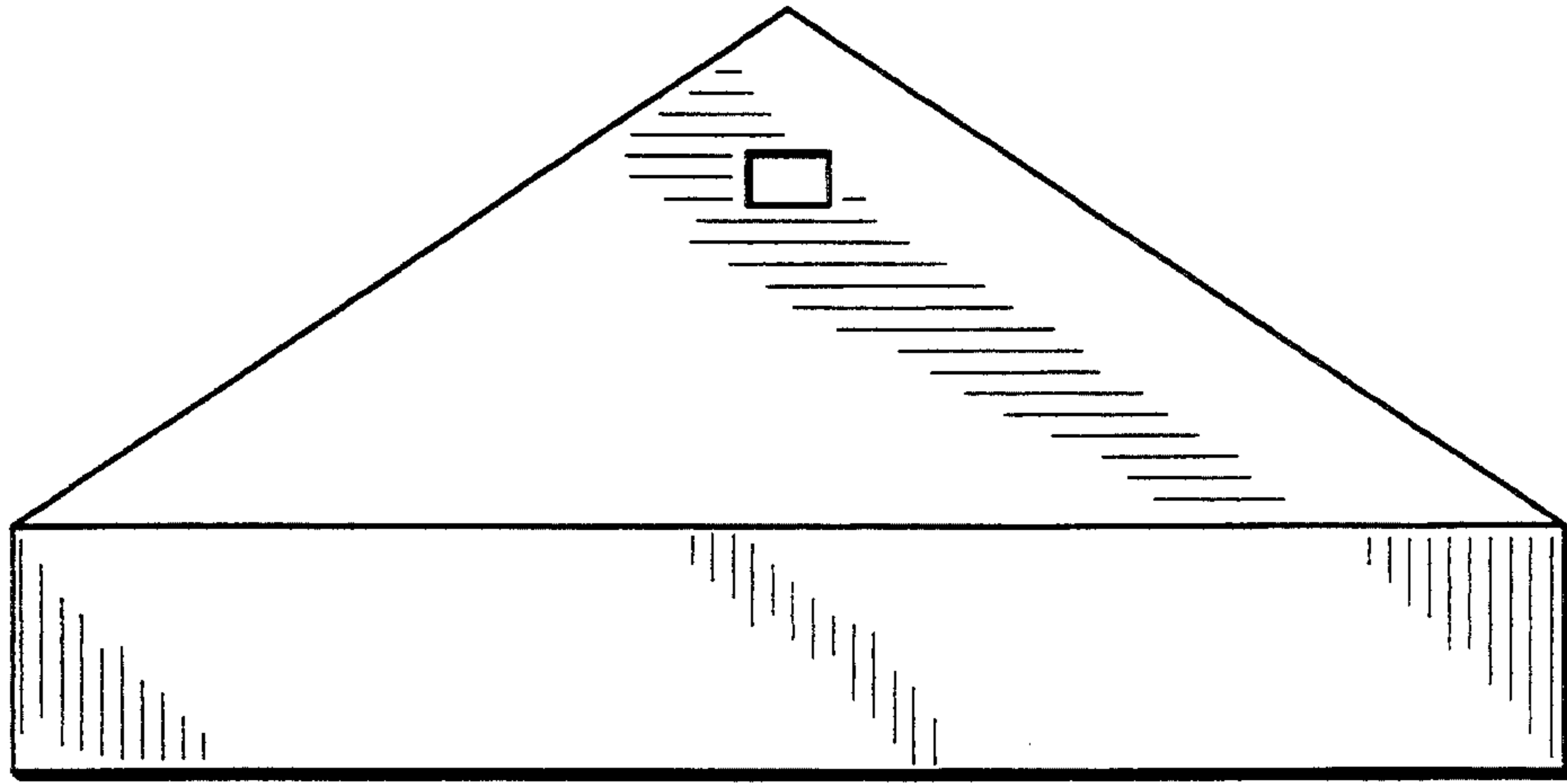


FIG. 3

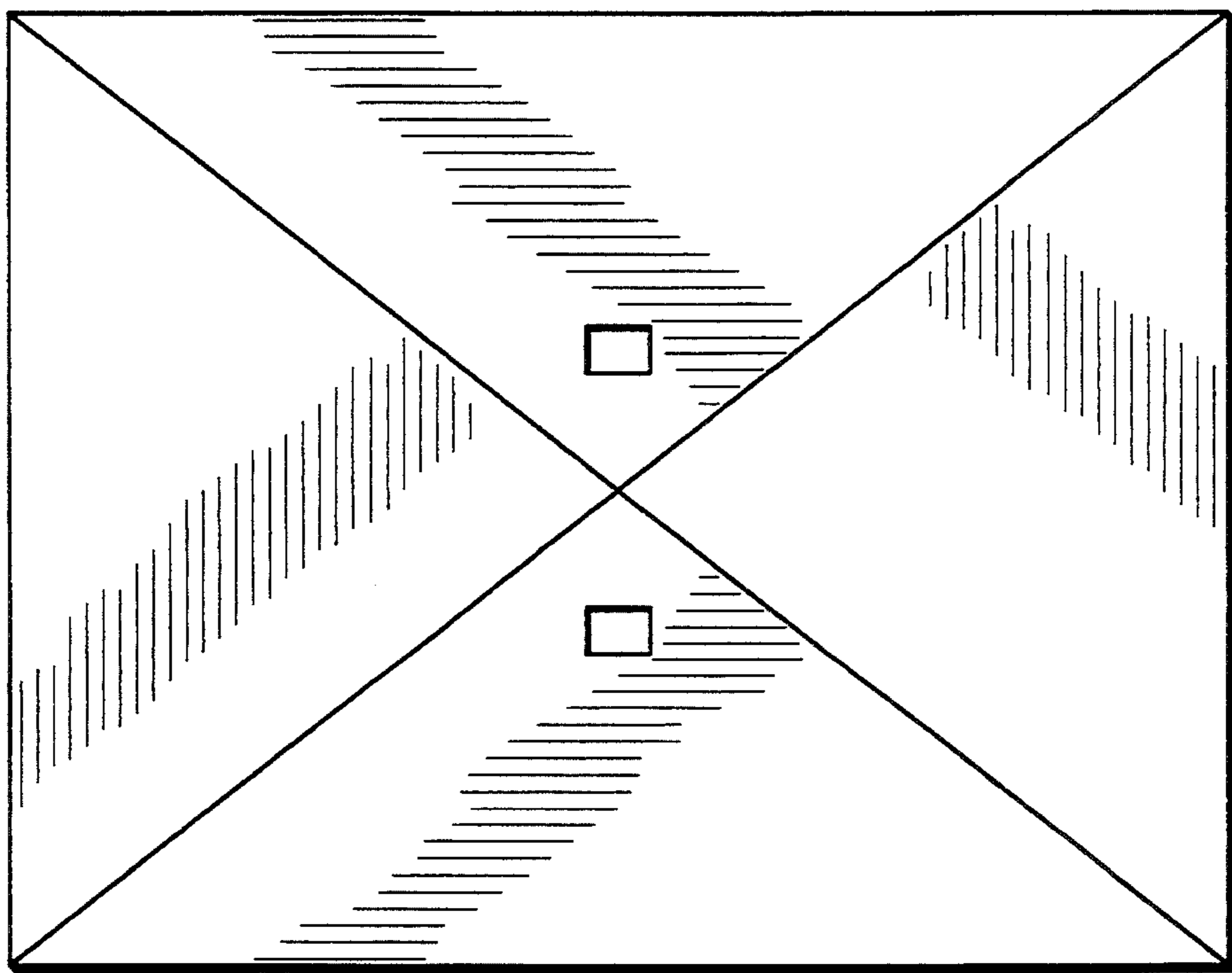


FIG. 4

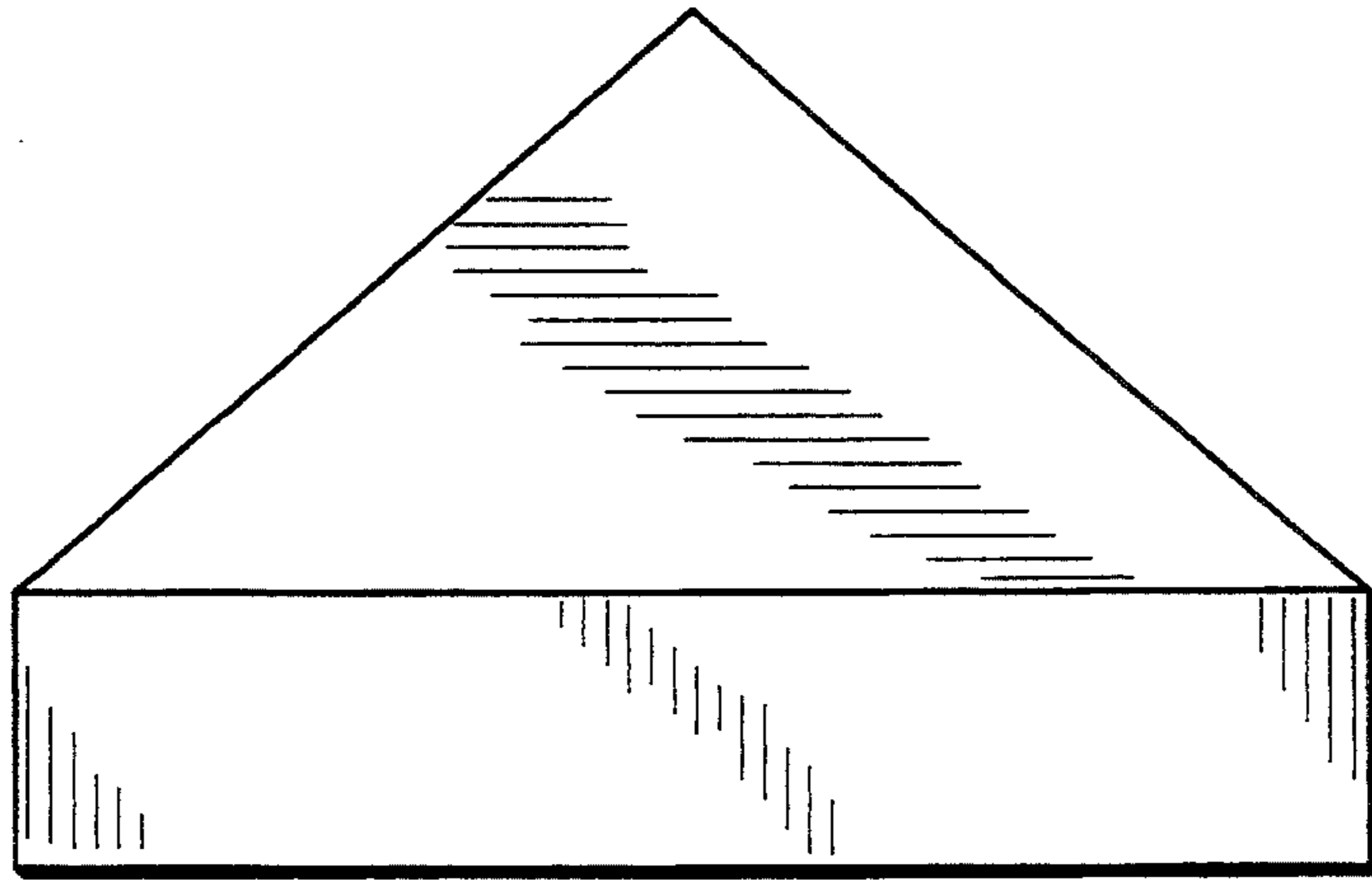


FIG. 5

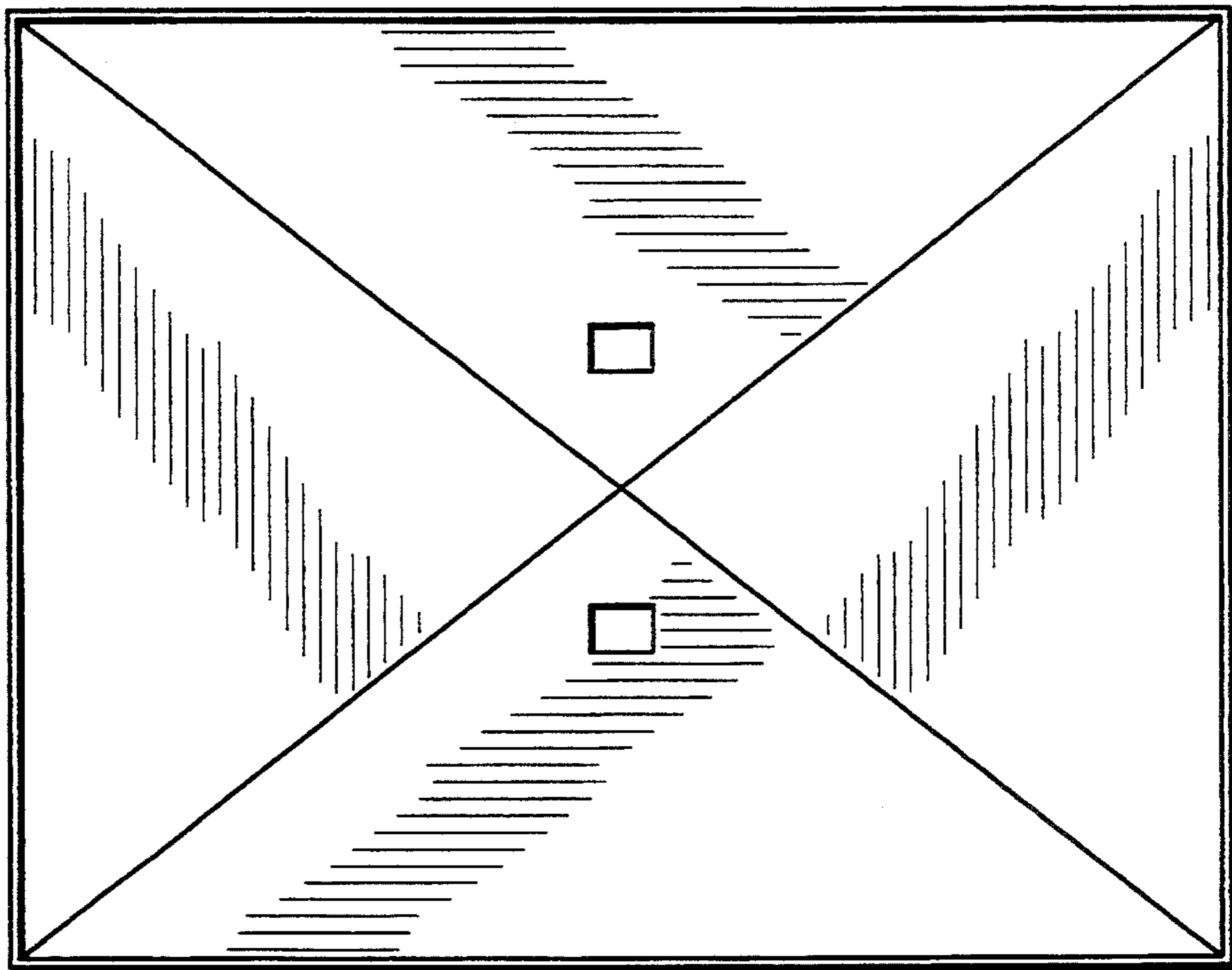


FIG. 6