



US00D359903S

United States Patent [19]

[11] Patent Number: **Des. 359,903**

Arshinoff et al.

[45] Date of Patent: **** Jul. 4, 1995**

[54] TAMPER RESISTANT CONTAINER

[56] References Cited

[75] Inventors: **Stephen H. Arshinoff**, Willowdale;
Ronald J. Sturk, Brampton, both of
Canada

U.S. PATENT DOCUMENTS

D. 248,216	6/1978	Allen et al.	D9/416 X
D. 248,379	11/1988	Lesscher et al.	D9/429 X
D. 267,633	1/1983	Christian	D9/438
D. 313,353	1/1991	Hart et al.	D9/428
D. 350,480	9/1994	Sutherland	D9/416
2,760,294	6/1956	Peters	D9/416 X
4,421,244	12/1983	Vam Melle	206/508 X
5,150,804	9/1992	Blanchet et al.	220/380 X

[73] Assignee: **Industrial Containers Ltd.**, Toronto,
Canada

Primary Examiner—Prabhakar G. Deshmukh
Attorney, Agent, or Firm—Sim & McBurney

[**] Term: **14 Years**

[57] CLAIM

[21] Appl. No.: **23,900**

The ornamental design for a tamper resistant container,
as shown.

[22] Filed: **Jun. 2, 1994**

DESCRIPTION

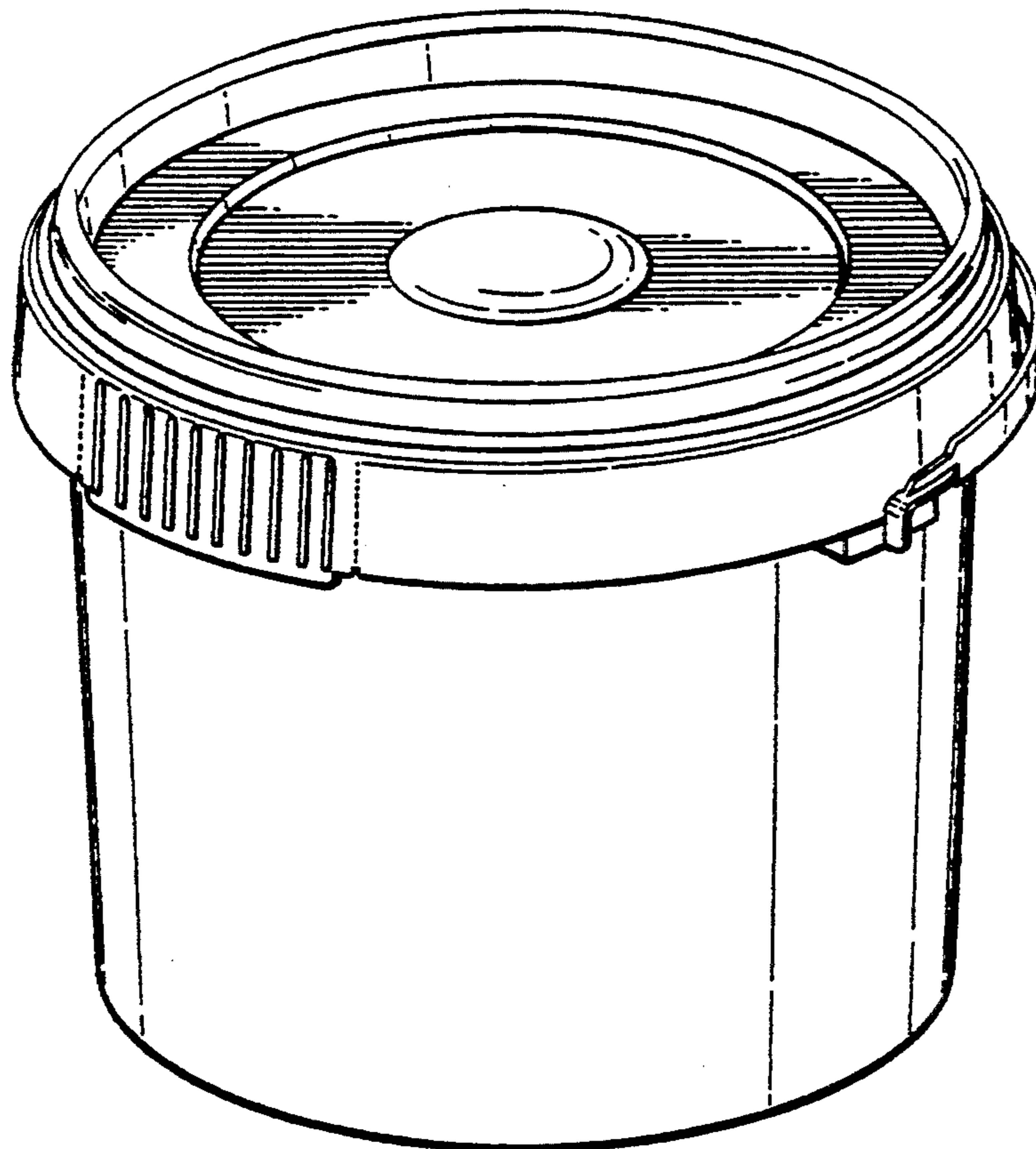
[30] Foreign Application Priority Data

Jan. 6, 1994 [CA] Canada 1994-0016

[52] U.S. Cl. **D9/428; D9/416**

[58] Field of Search D9/428, 429, 417, 341,
D9/424, 425, 503, 511, 513, 549, 569, 416, 438;
D7/601, 602, 603, 629; 206/508; 220/305, 380,
356, 376, 377, 675, 662, 912

FIG. 1 is a perspective view of a tamper resistant con-
tainer showing our new design;
FIG. 2 is a front elevational view thereof;
FIG. 3 is a rear elevational view thereof;
FIG. 4 is a right side elevational view thereof; the left
side elevational being a mirror image thereof;
FIG. 5 is a bottom plan view thereof; and,
FIG. 6 is a top plan view thereof.
The dash lines on the cover indicates break lines.



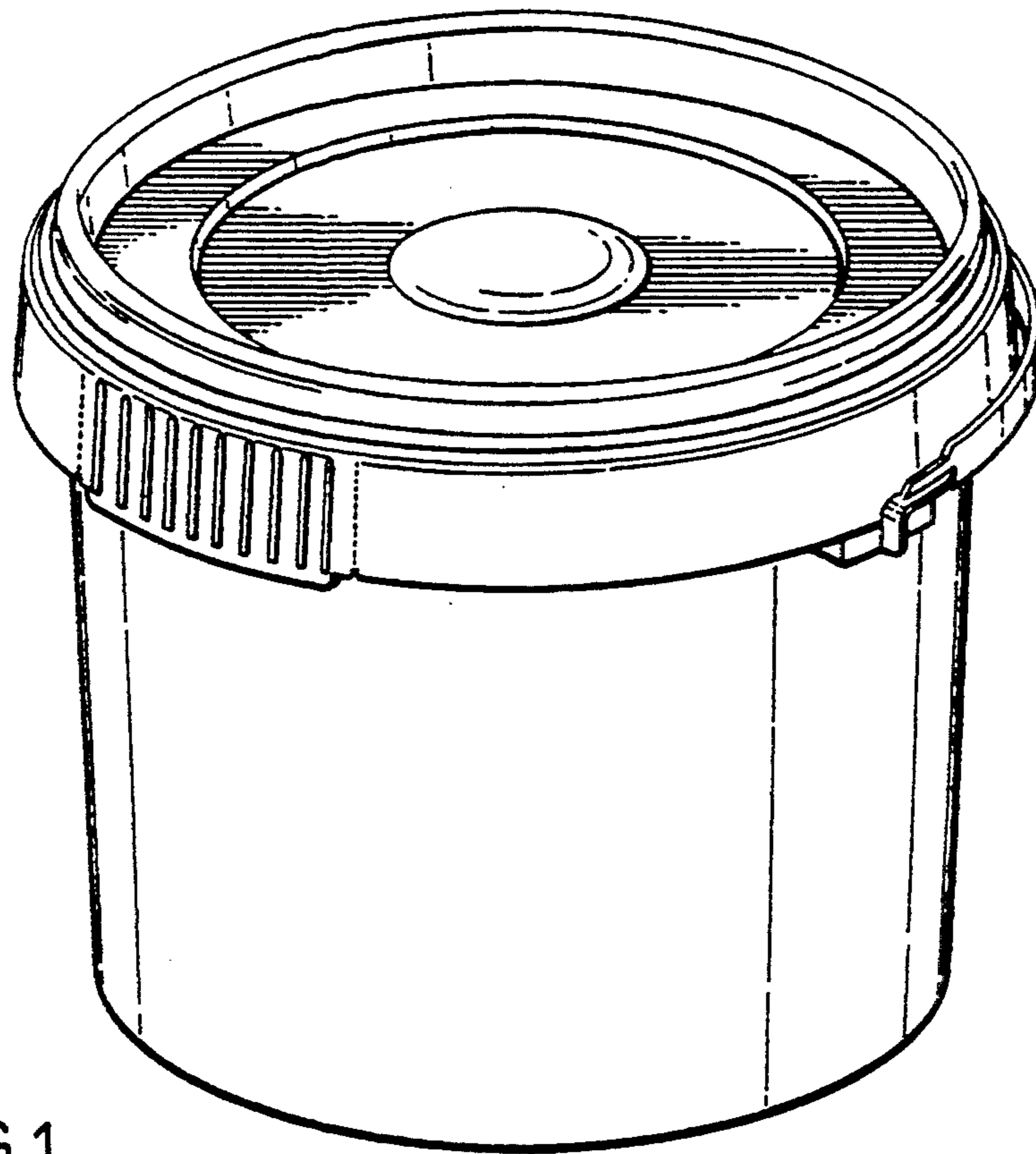


FIG. 1.

FIG. 2.

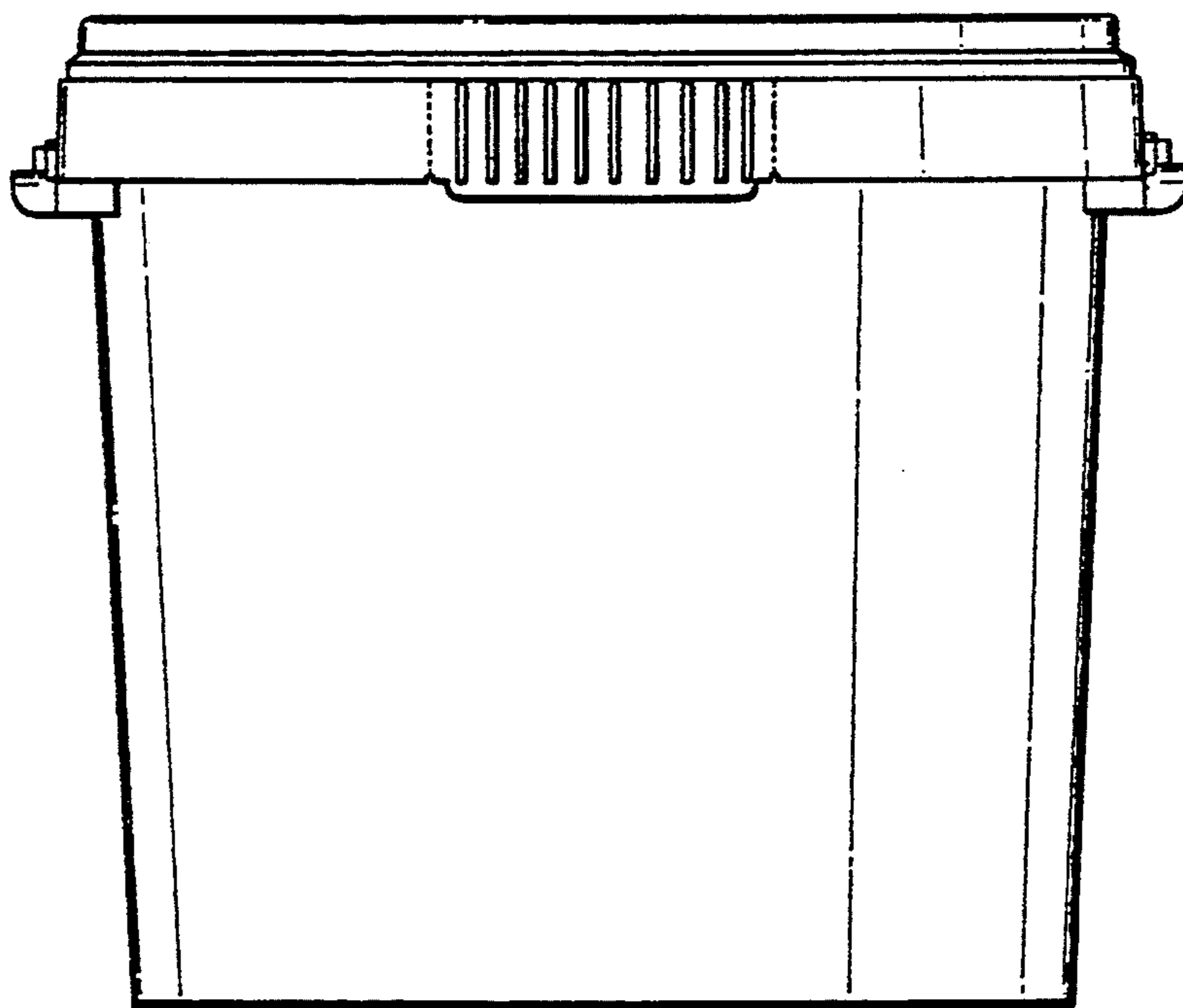


FIG. 3.

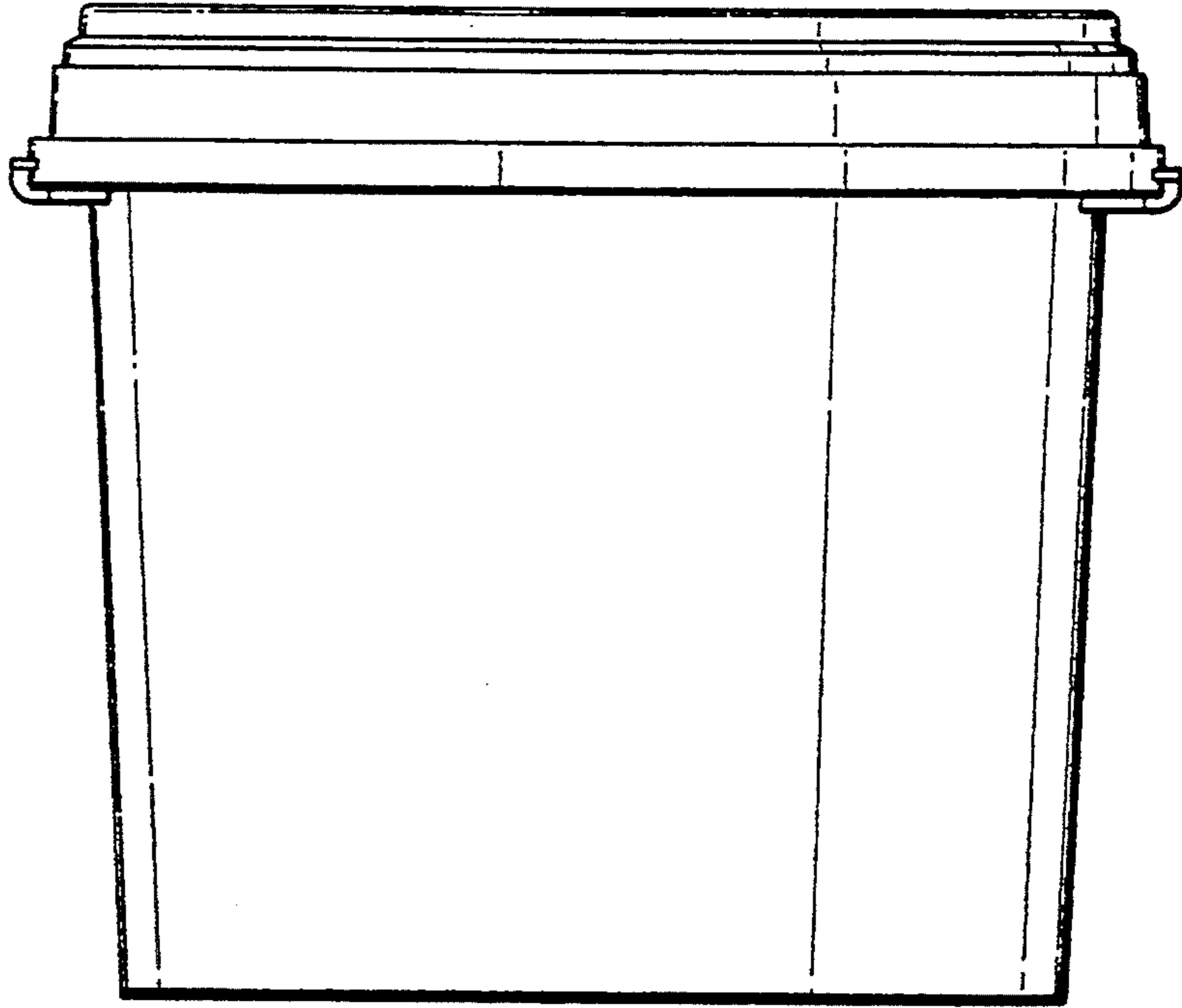


FIG. 4.

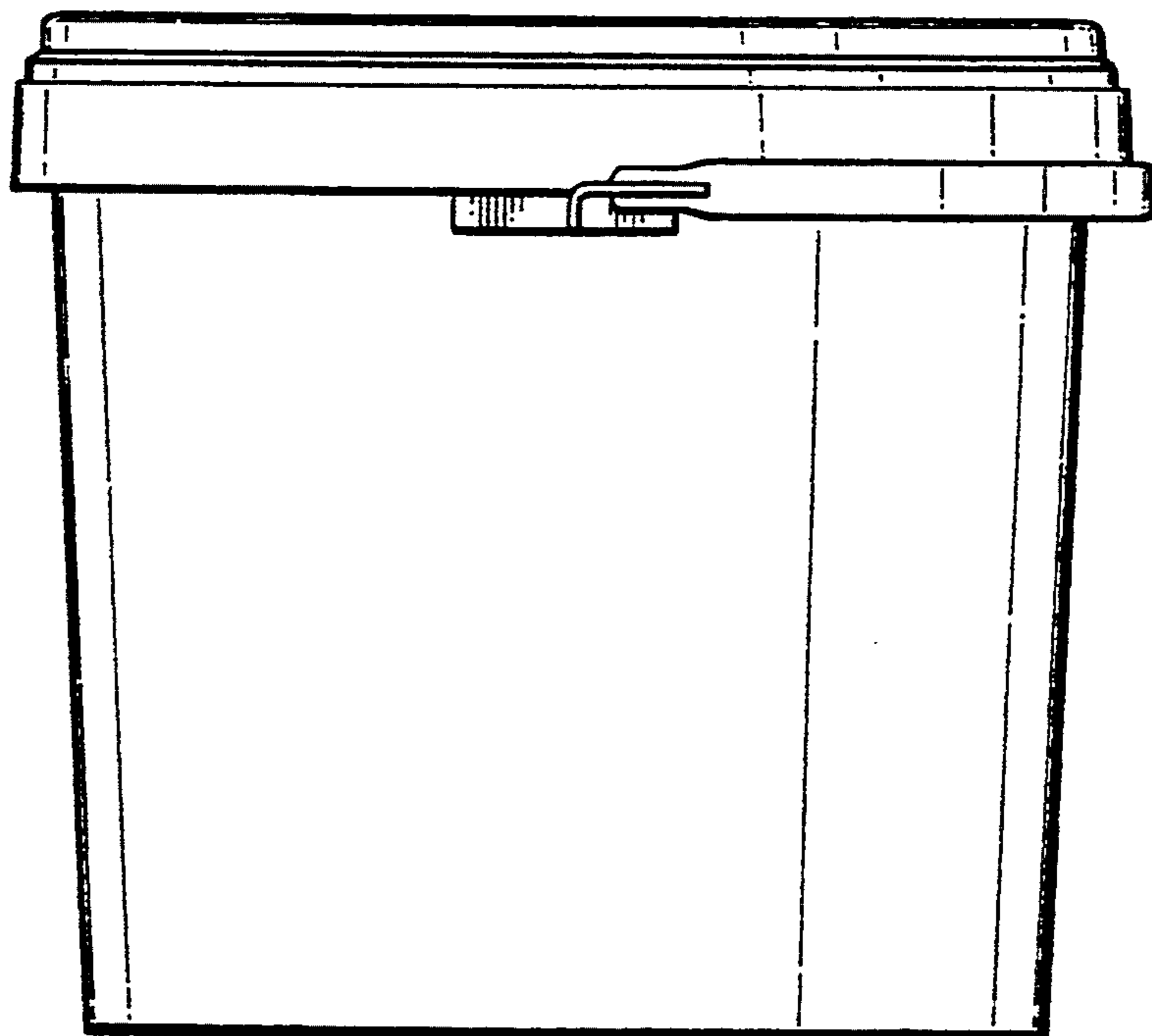


FIG. 5.

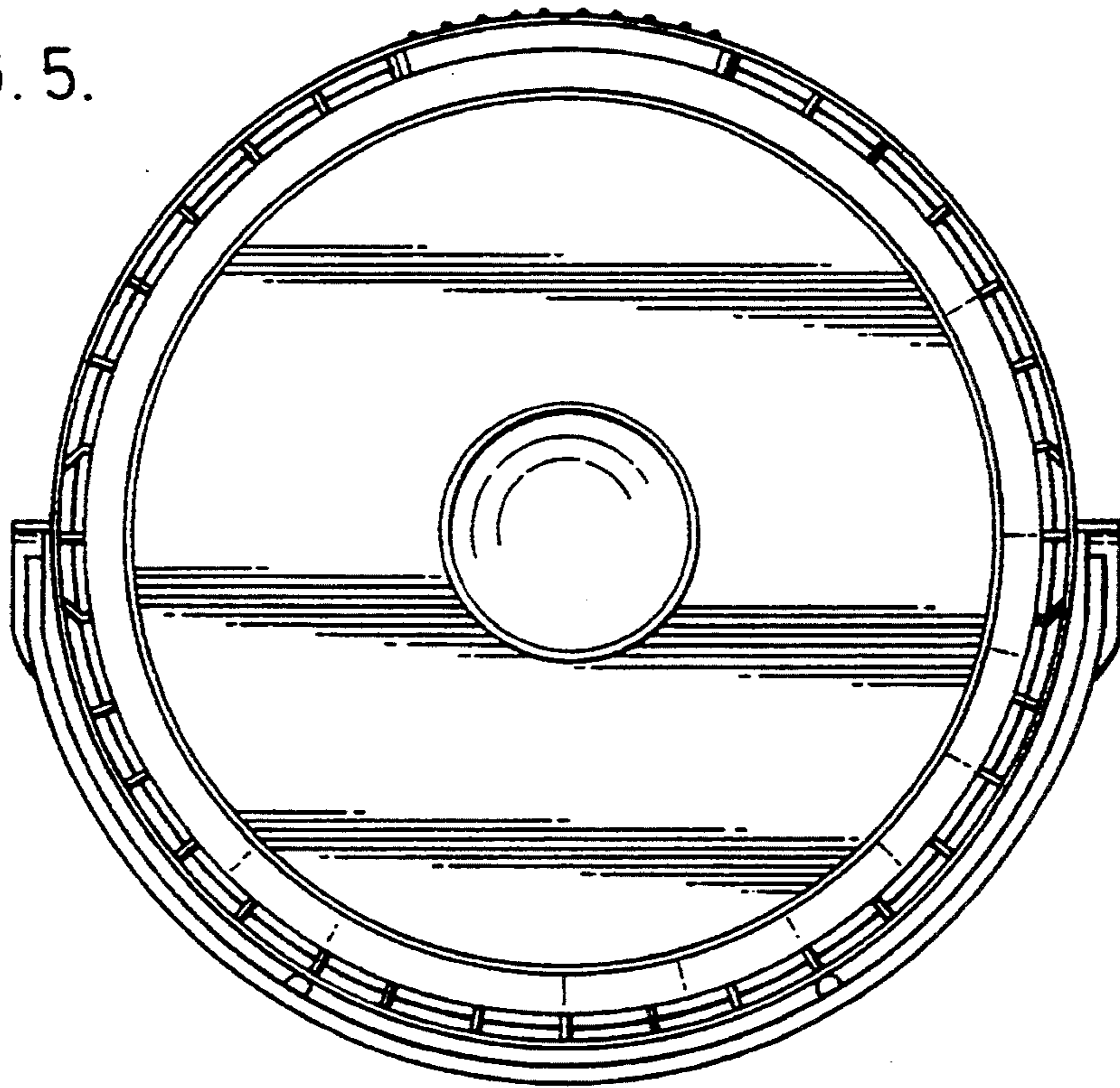


FIG. 6.

