



US00D359899S

United States Patent [19]

[11] Patent Number: **Des. 359,899**

Sauber

[45] Date of Patent: **** Jul. 4, 1995**

[54] **COMBINED REEL CADDY AND STAND FOR CABLE SPOOLS**

[75] Inventor: **Charles J. Sauber, Virgil, Ill.**

[73] Assignee: **We Cousins, Inc., Virgil, Ill.**

[**] Term: **14 Years**

[21] Appl. No.: **22,514**

[22] Filed: **May 6, 1994**

[52] U.S. Cl. **D8/359; D34/24**

[58] Field of Search **D8/358-359; 242/403.1, 129.53, 129.51, 391, 596, 557, 596.7-596.8; 137/355.22, 355.26-355.27; D34/24, 26; 280/47.19, 47.12, 47.27, 47.29**

[56] **References Cited**

U.S. PATENT DOCUMENTS

D. 328,378	7/1992	Hargrove	D34/24
3,587,626	6/1971	Cowley	137/355.27 X
3,820,733	6/1974	Roederer	242/391

OTHER PUBLICATIONS

Smith & Hawkin, 1985, p. 35, Hose Trolley at right of page.

Claber Catalog, 1989, no page number, Connector, Item A located at right of page.

Primary Examiner—James M. Gandy

Assistant Examiner—Holly Baynham

Attorney, Agent, or Firm—Leydig, Voit & Mayer, Ltd.

[57] **CLAIM**

The ornamental design for a combined reel caddy and stand for cable spools, as shown and described.

DESCRIPTION

FIG. 1 is a front, side perspective view of a combined reel caddy and stand for cable spools with the inner portion of the opposite side being a mirror image;

FIG. 2 is a top plan view thereof;

FIG. 3 is a side elevation view with the opposite side being a mirror image;

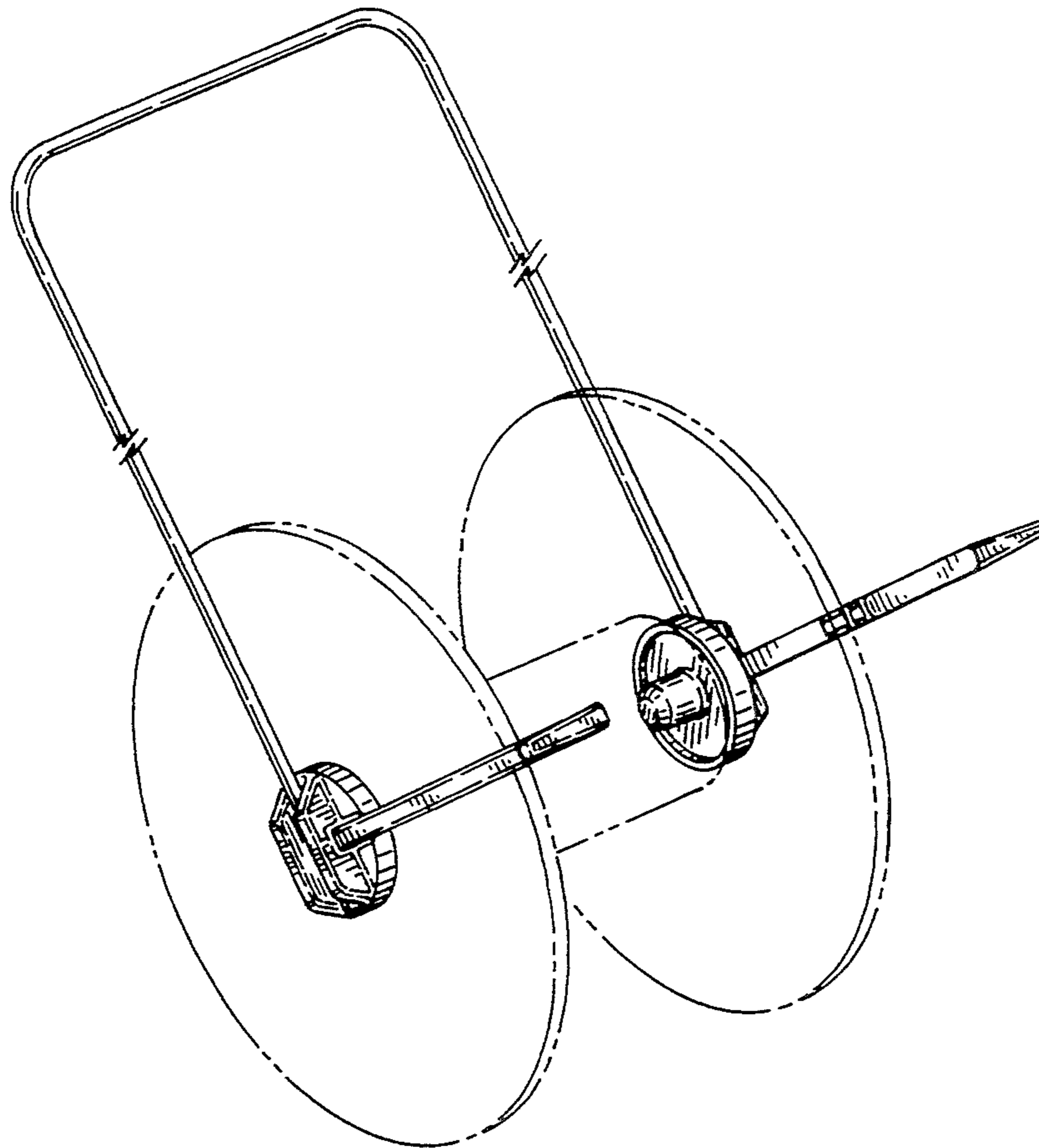
FIG. 4 is a front elevation view thereof;

FIG. 5 is a rear elevation view thereof; and,

FIG. 6 is a bottom plan view thereof.

The handle is shown broken away in FIG. 1 for ease of illustration.

The broken line showing of a spool is for illustrative purposes only and forms no part of the claimed design.



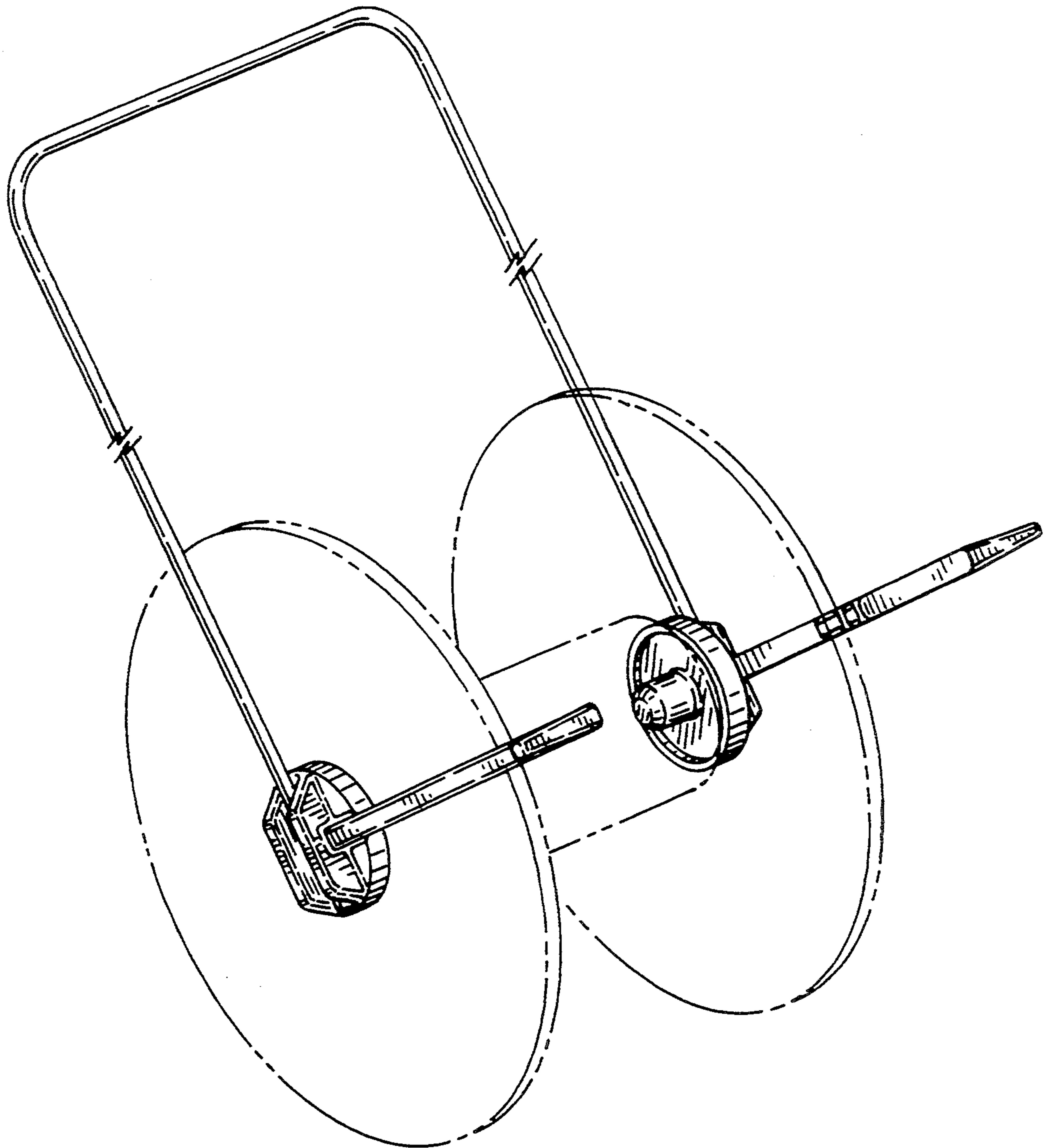


FIG. 1

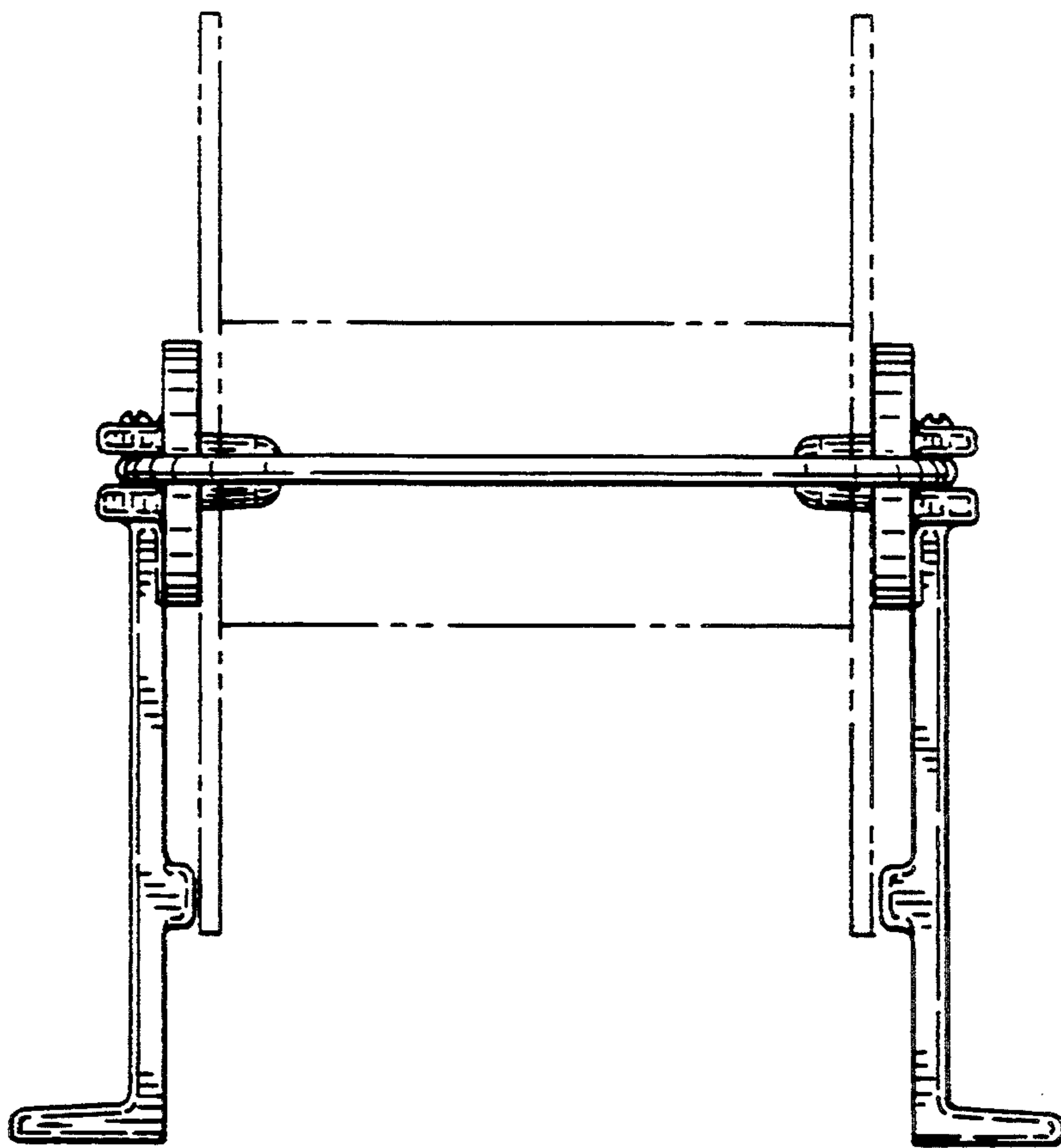


FIG. 2

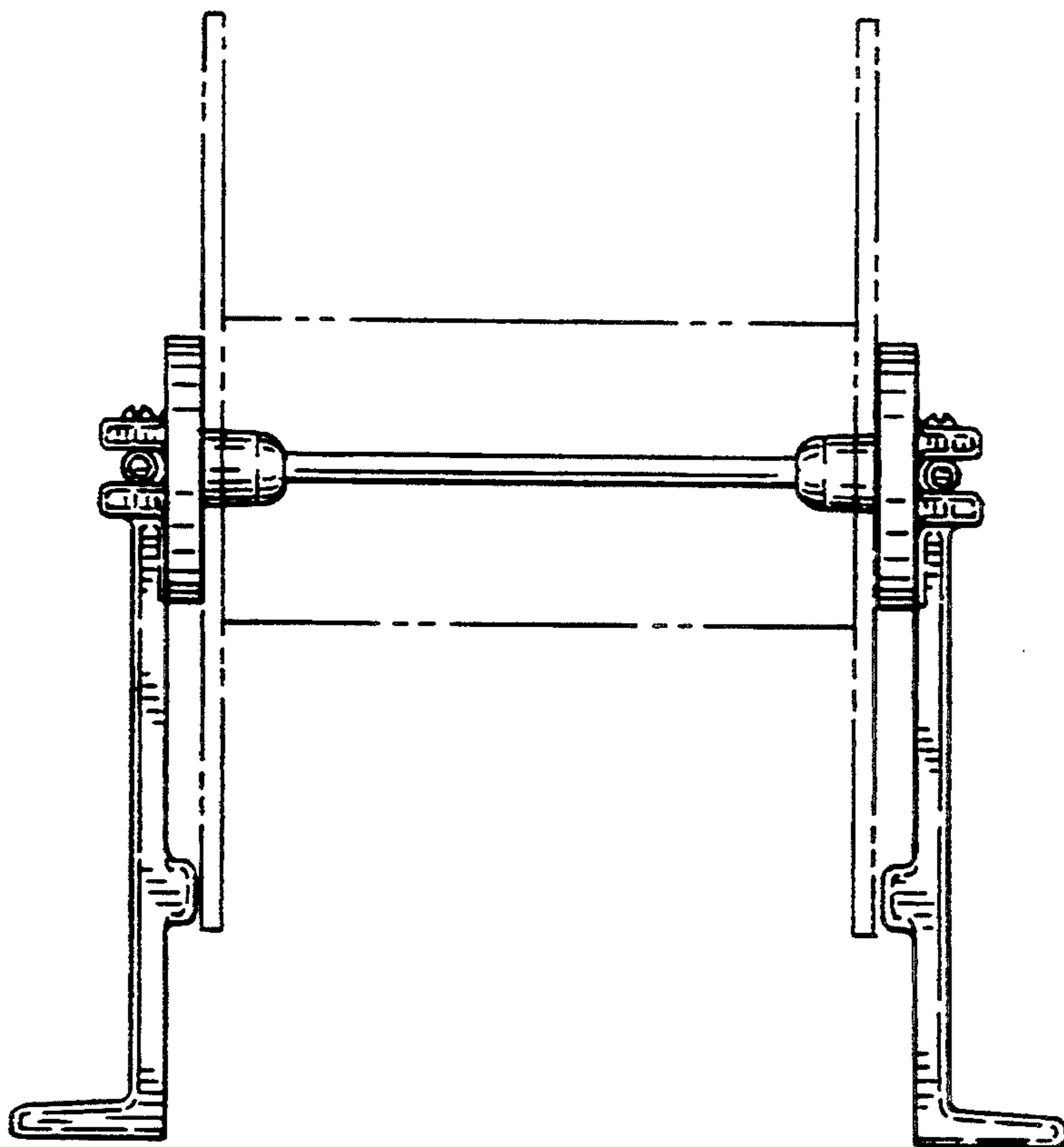
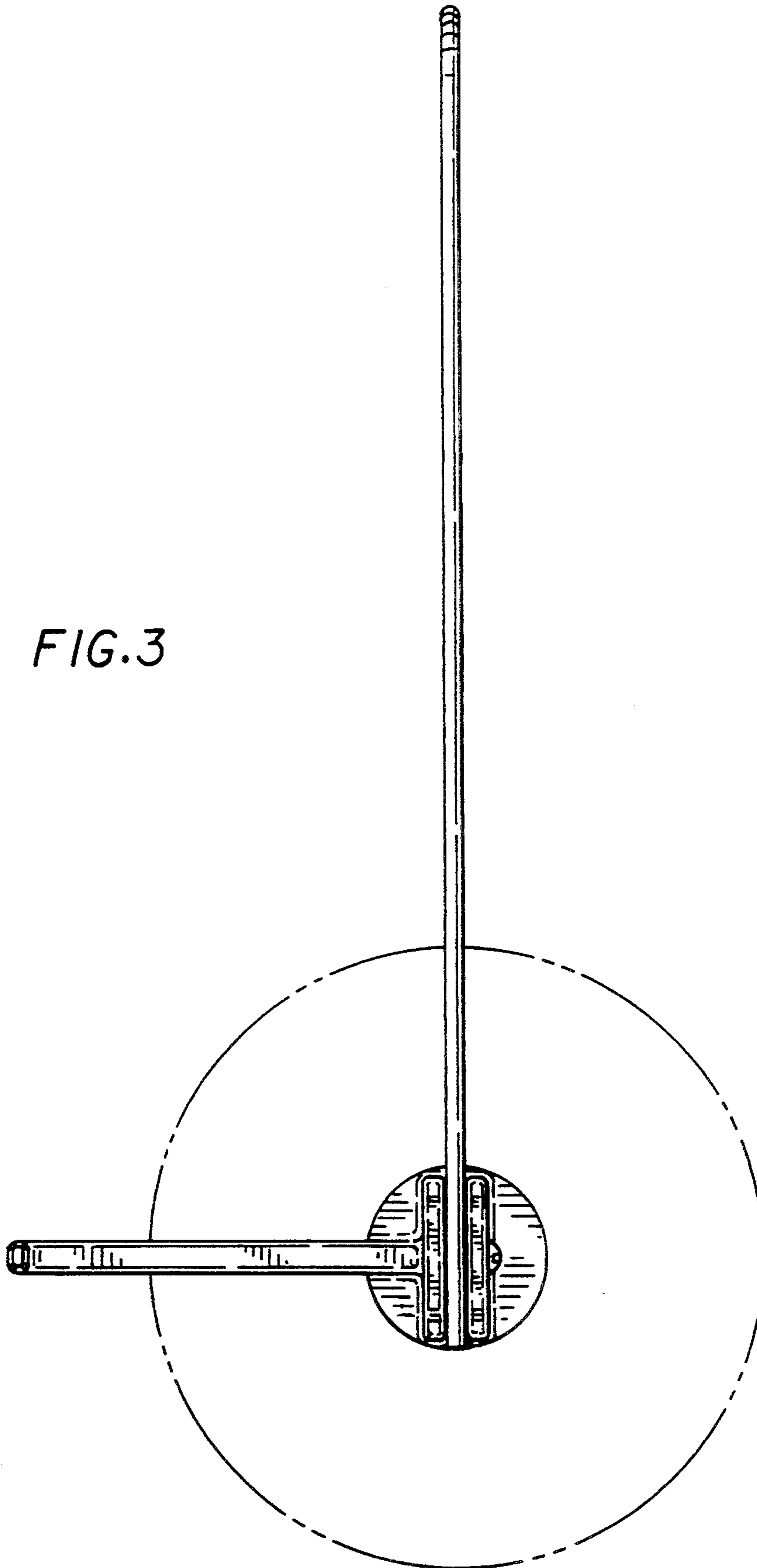


FIG. 6

FIG. 3



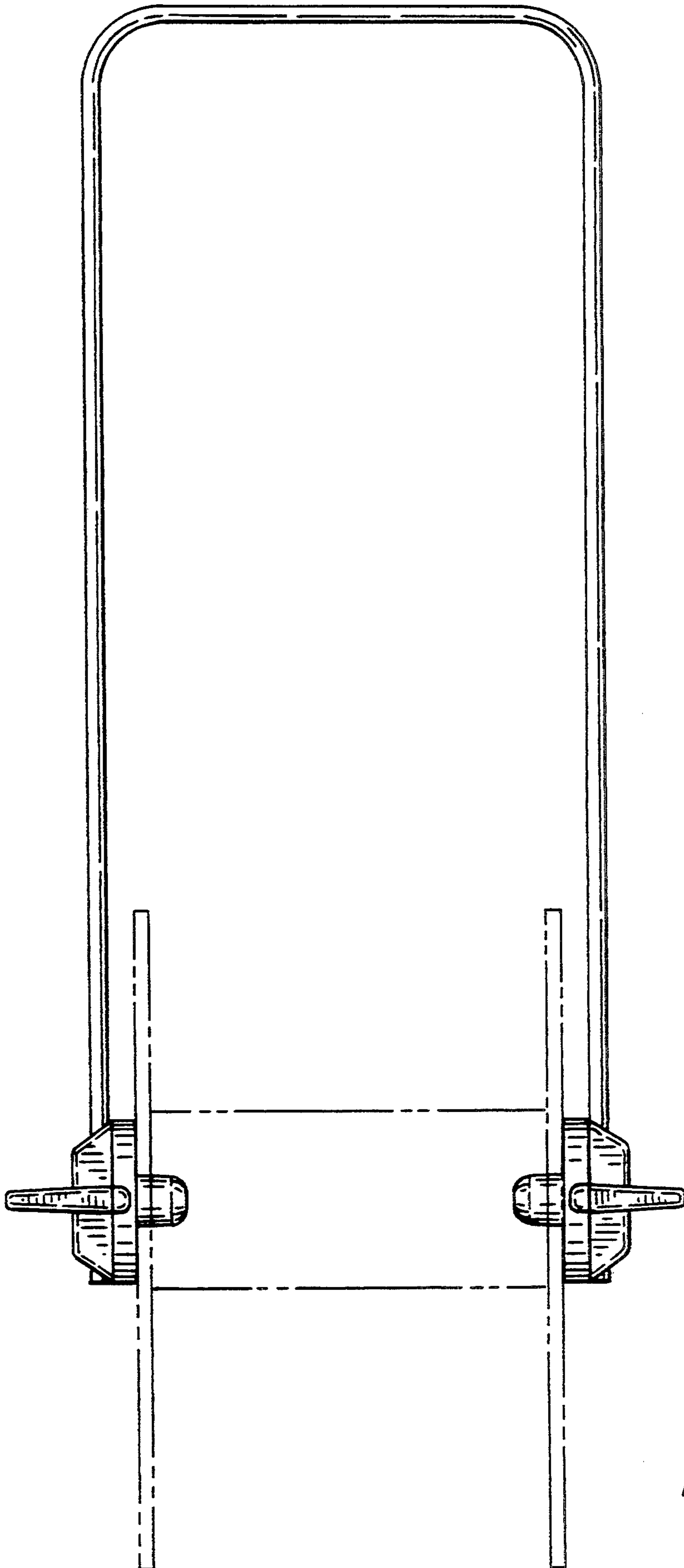


FIG. 4

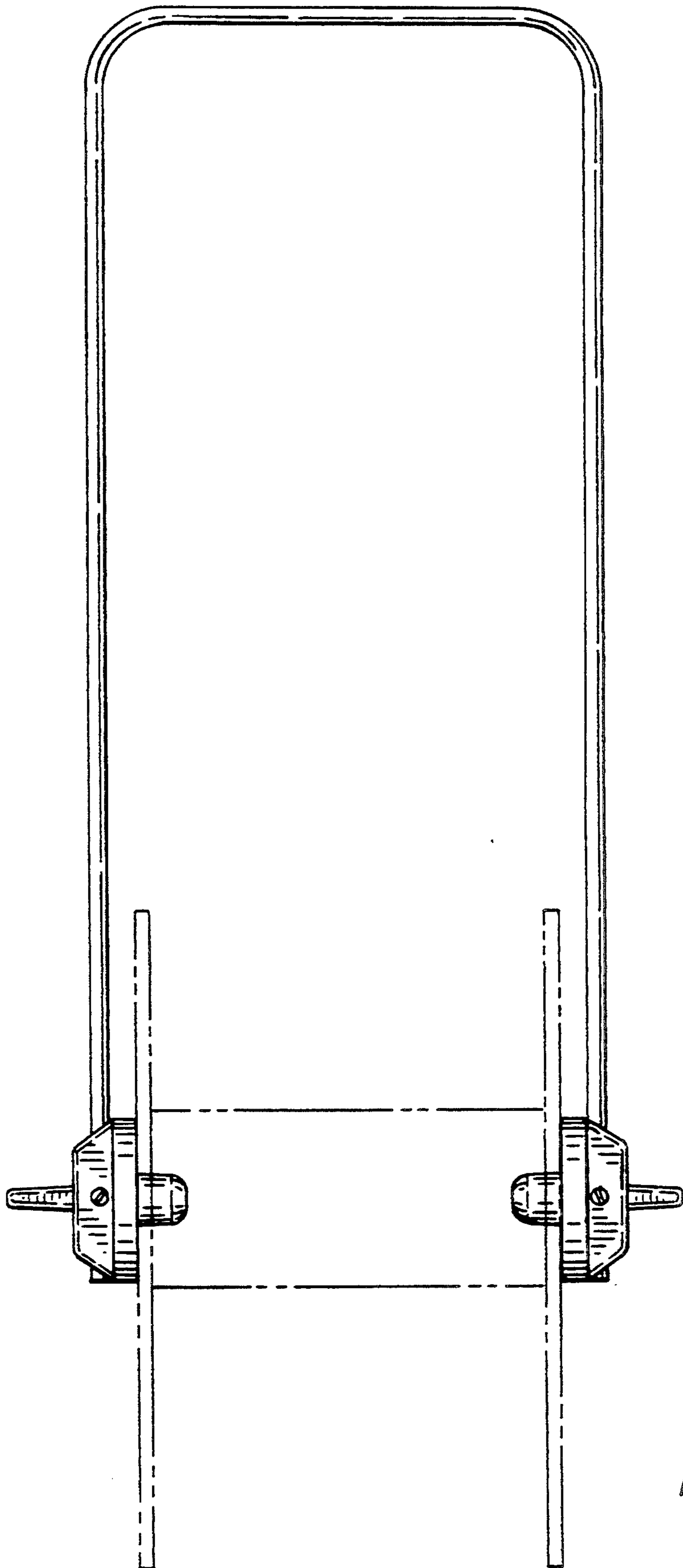


FIG. 5