



US00D359897S

United States Patent [19]

[11] Patent Number: **Des. 359,897**

Wang et al.

[45] Date of Patent: **** Jul. 4, 1995**

[54] **CLAMP**

D. 318,282 7/1991 Kern D8/72
D. 328,845 8/1992 Yoder D8/72
D. 352,647 11/1994 Stevens D8/72

[76] Inventors: **Kuo-Long Wang**, 11F-2, No. 30, King West Rd.; **Su-Pei Yang**, 2F, No. 110, Lane 103, Sec. 3, Nei Hu Rd., both of Taipei, Taiwan

Primary Examiner—Alan P. Douglas
Assistant Examiner—Jeffrey H. Musgrove
Attorney, Agent, or Firm—Wenderoth, Lind & Ponack

[**] Term: **14 Years**

[57] **CLAIM**

[21] Appl. No.: **25,091**

The ornamental design for a clamp, as shown and described.

[22] Filed: **Jun. 27, 1994**

[52] U.S. Cl. **D8/72**

DESCRIPTION

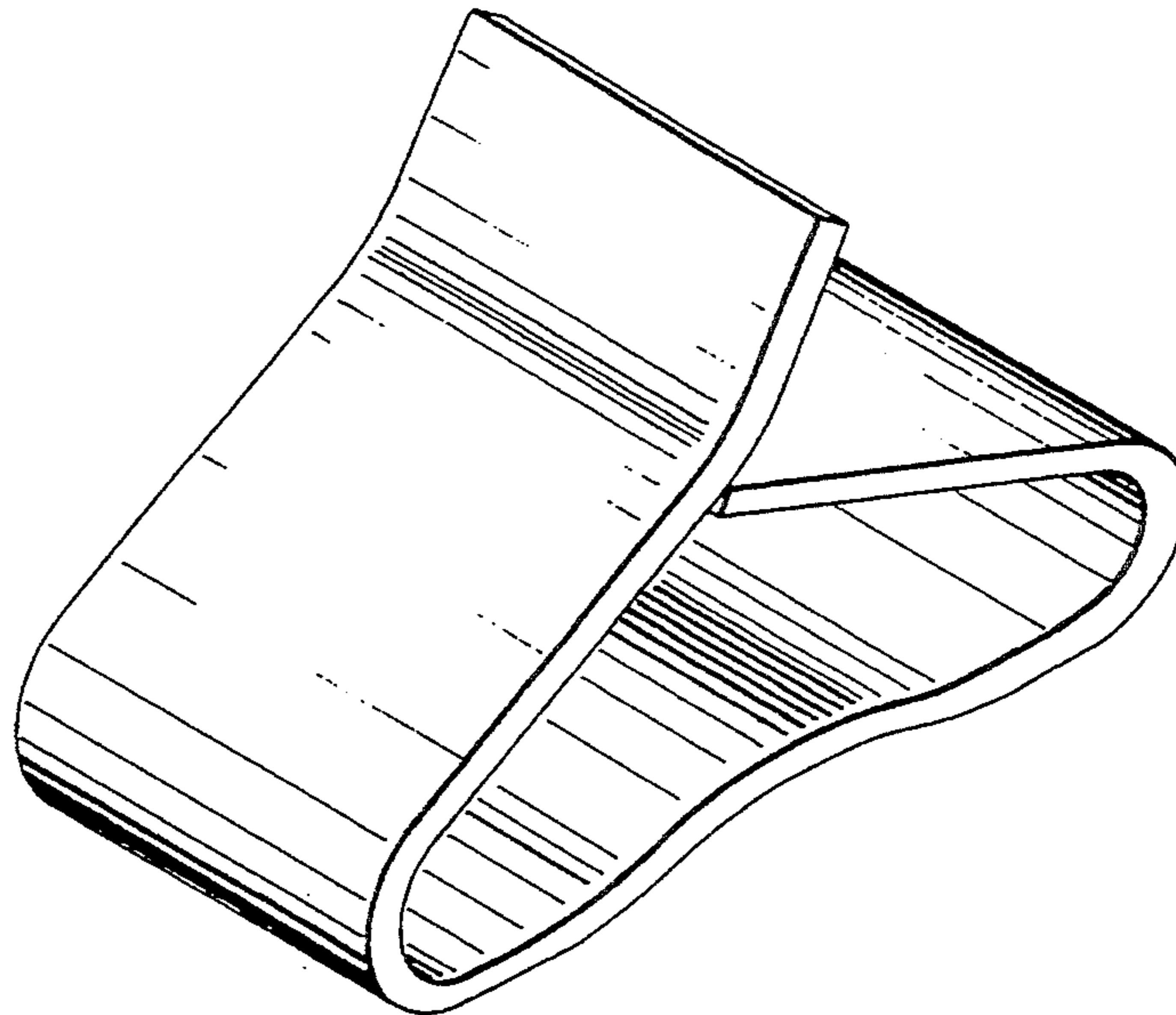
[58] Field of Search **D8/72, 73; 269/238, 269/239, 249; 248/643, 72, 228, 231.5, 231.7, 225.31, 316.5**

FIG. 1 is a top, left front perspective view of a clamp showing our new design;
FIG. 2 is a front elevational view thereof;
FIG. 3 is a rear elevational view thereof;
FIG. 4 is a top plan view thereof;
FIG. 5 is a bottom plan view thereof;
FIG. 6 is a left side elevational view thereof; and,
FIG. 7 is a right side elevational view thereof.

[56] **References Cited**

U.S. PATENT DOCUMENTS

D. 300,298 3/1989 Mori D8/72
D. 310,471 1/1990 Kuykendall D8/72



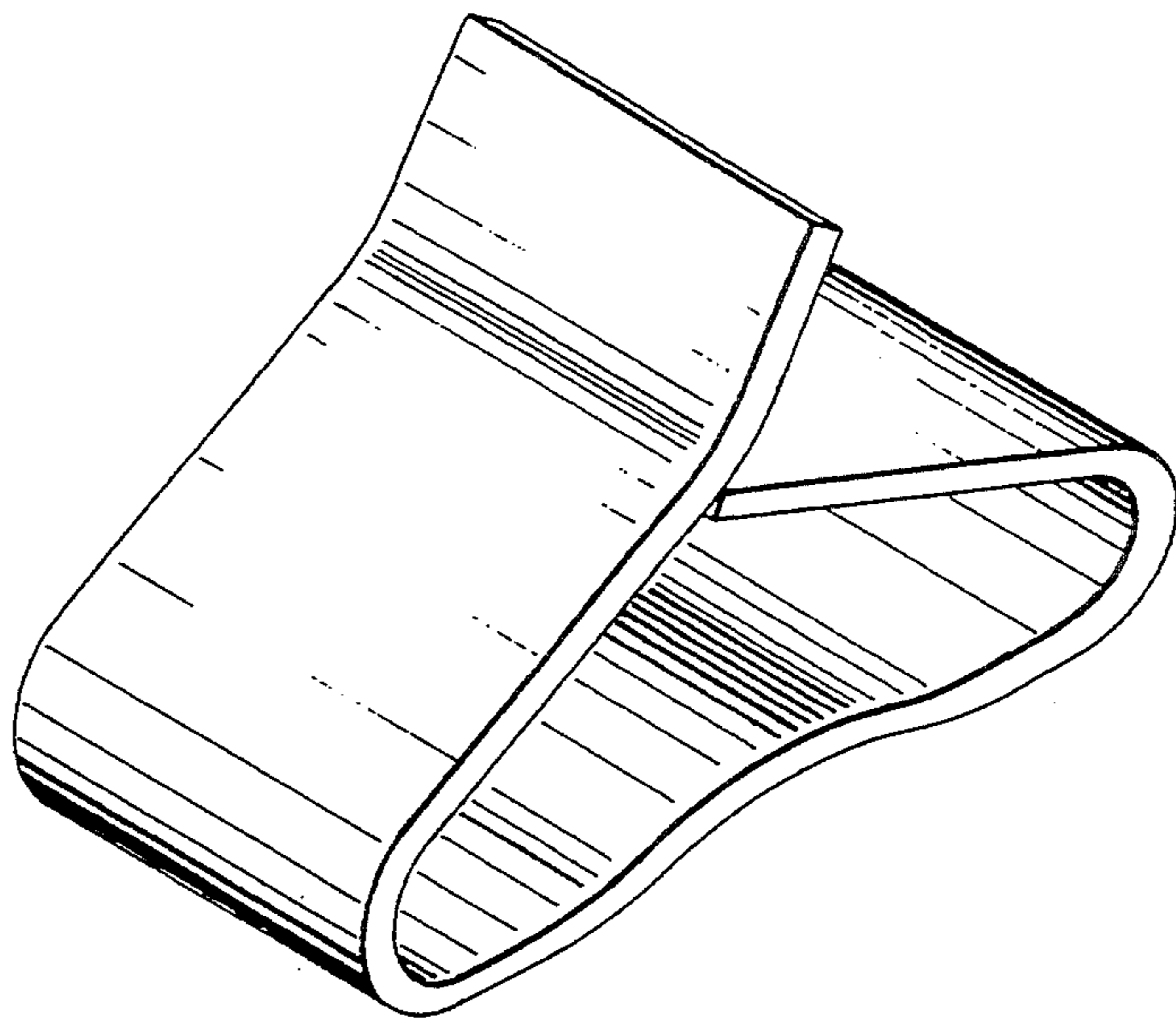


FIG. 1

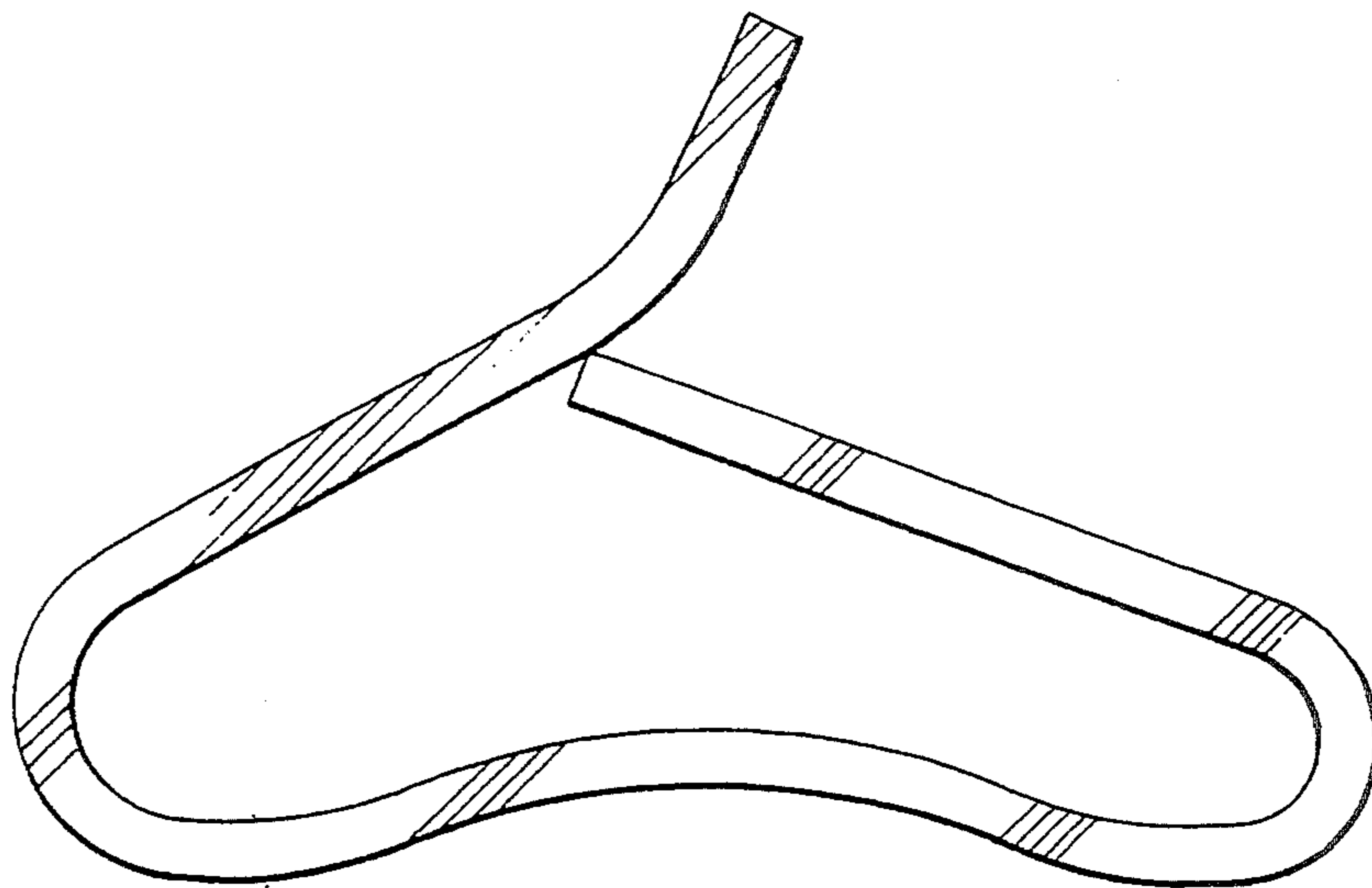


FIG. 2

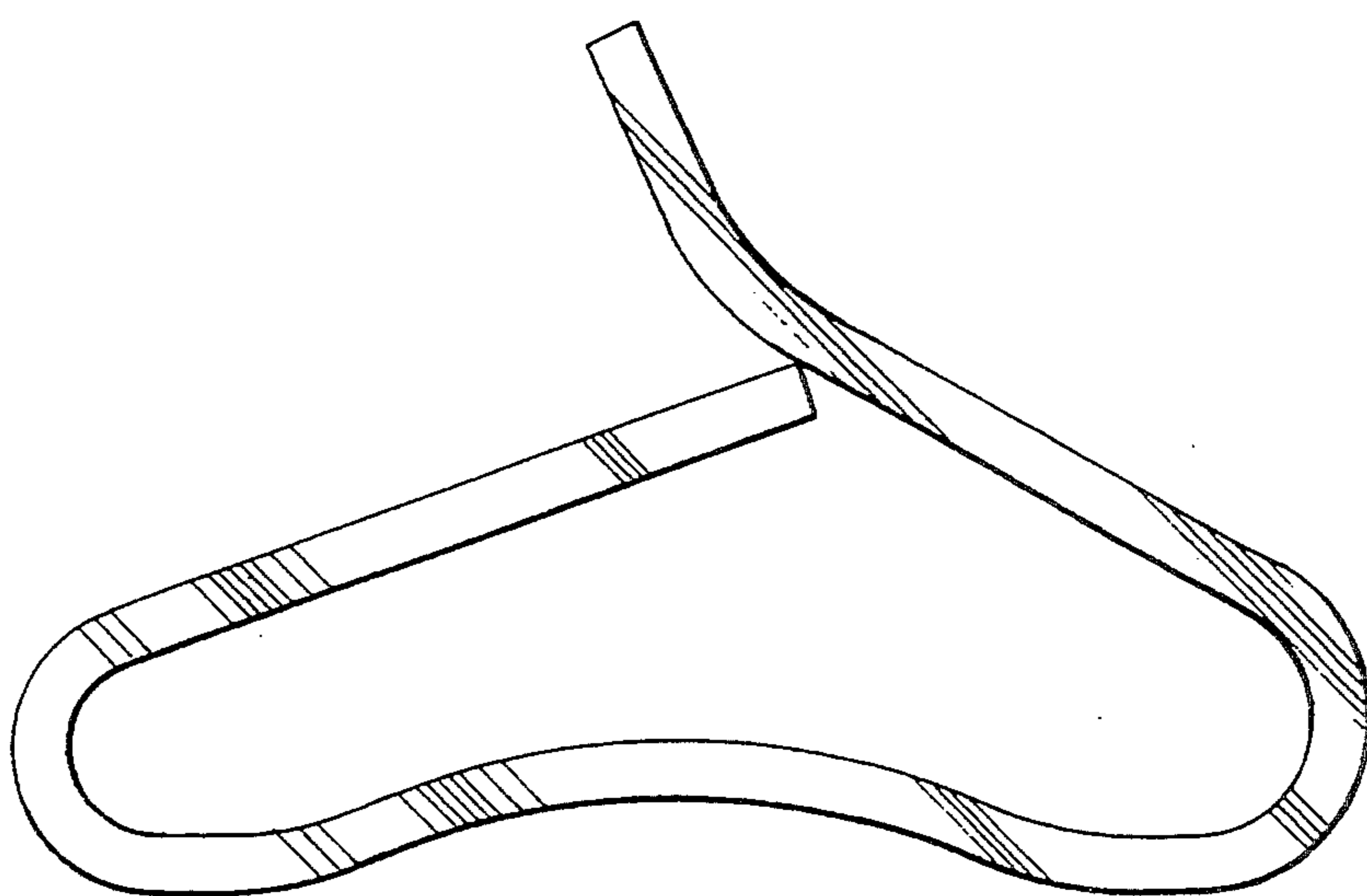


FIG. 3

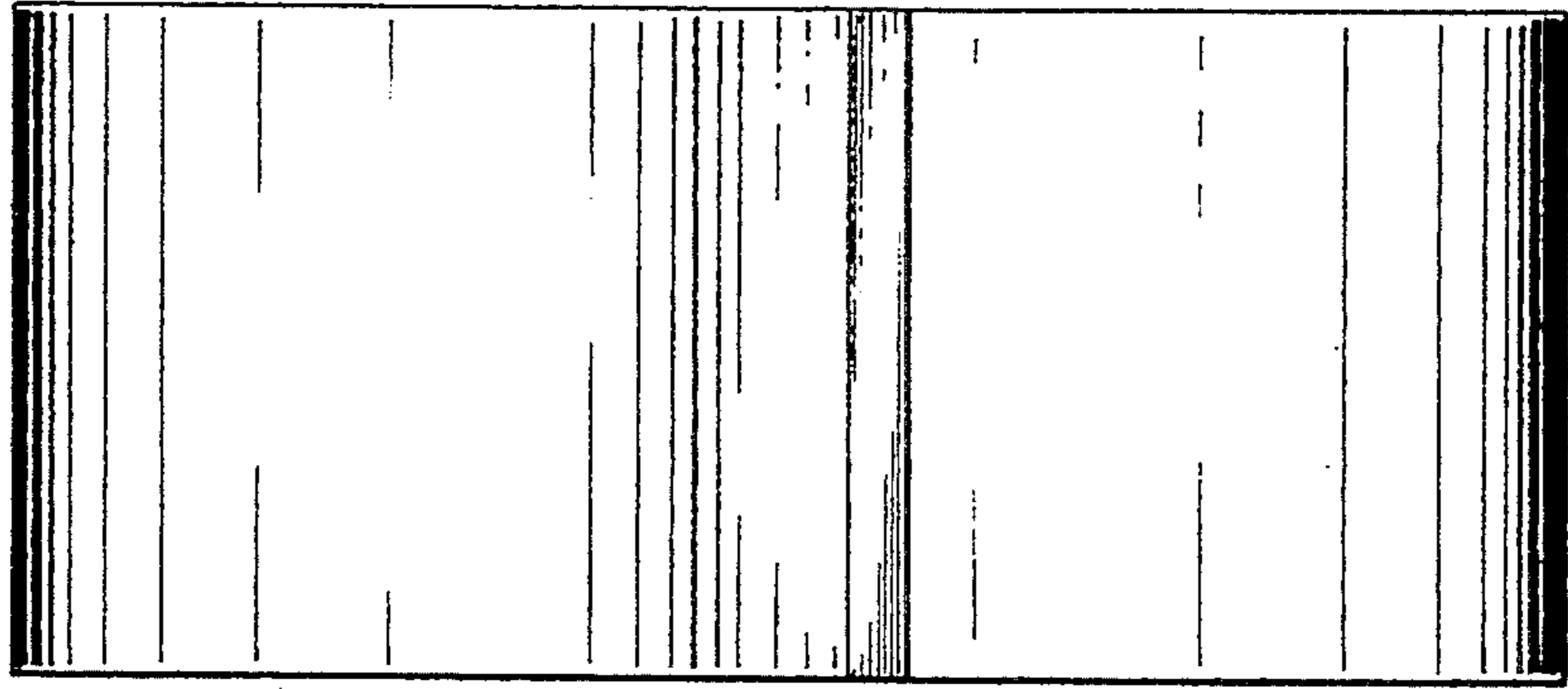


FIG. 4

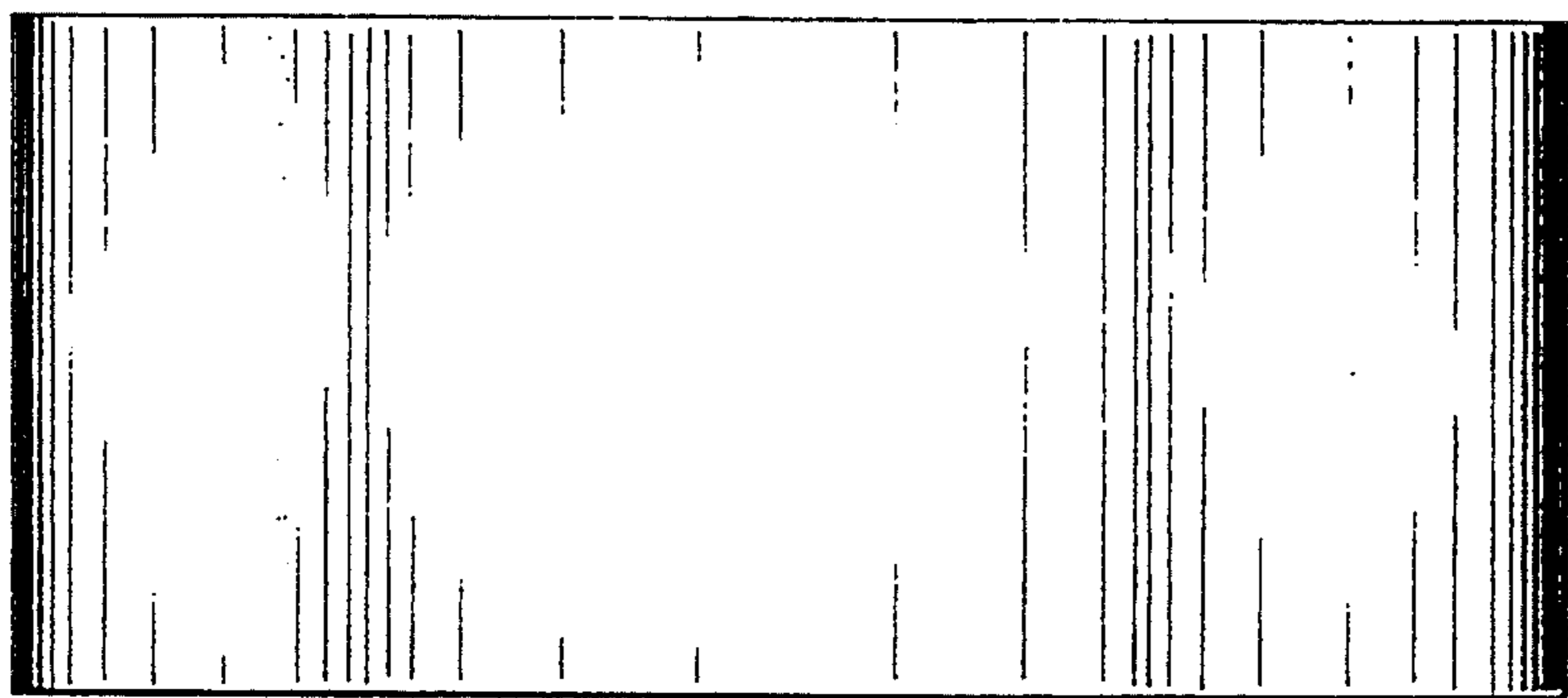


FIG. 5

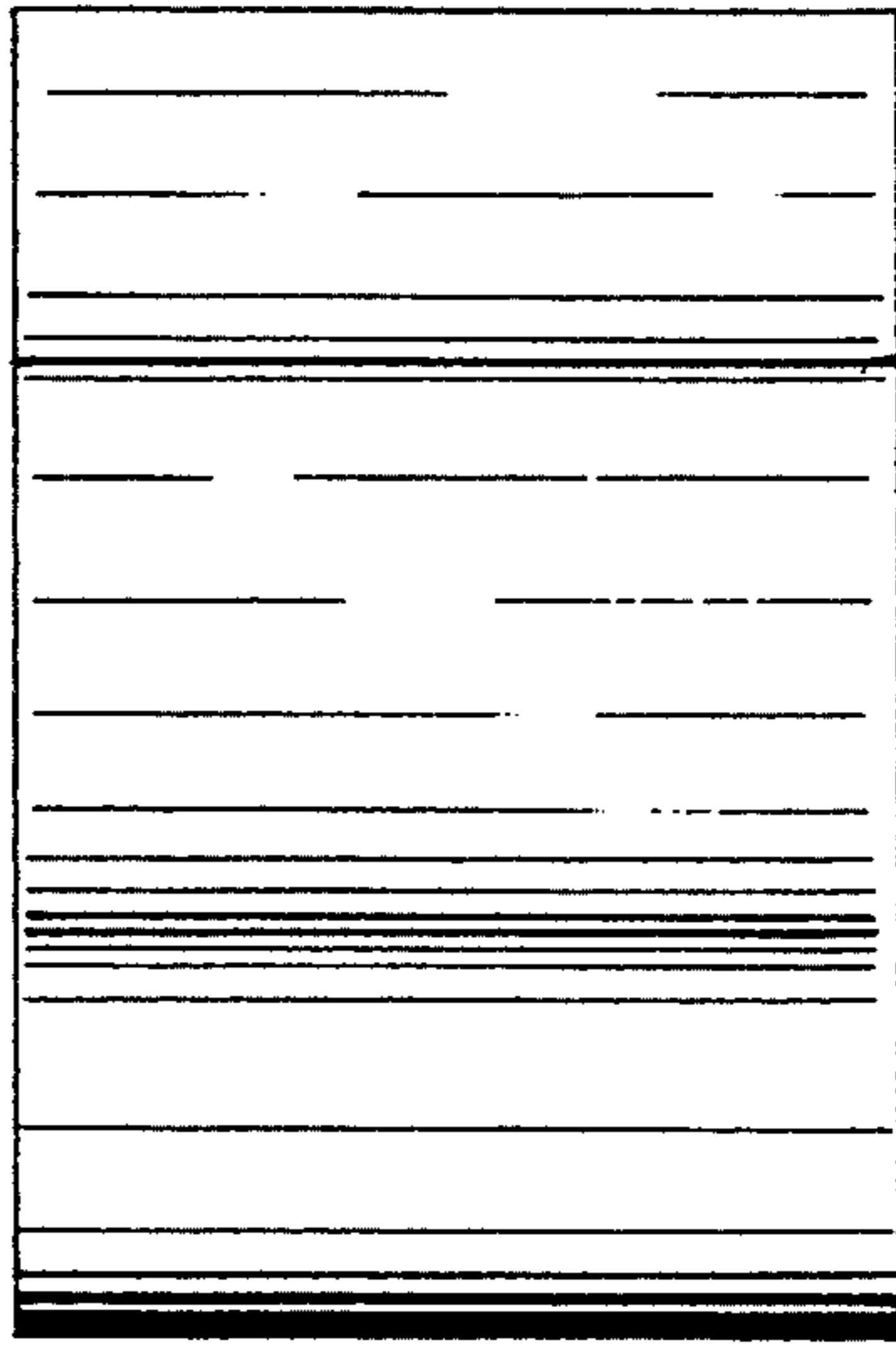


FIG. 6

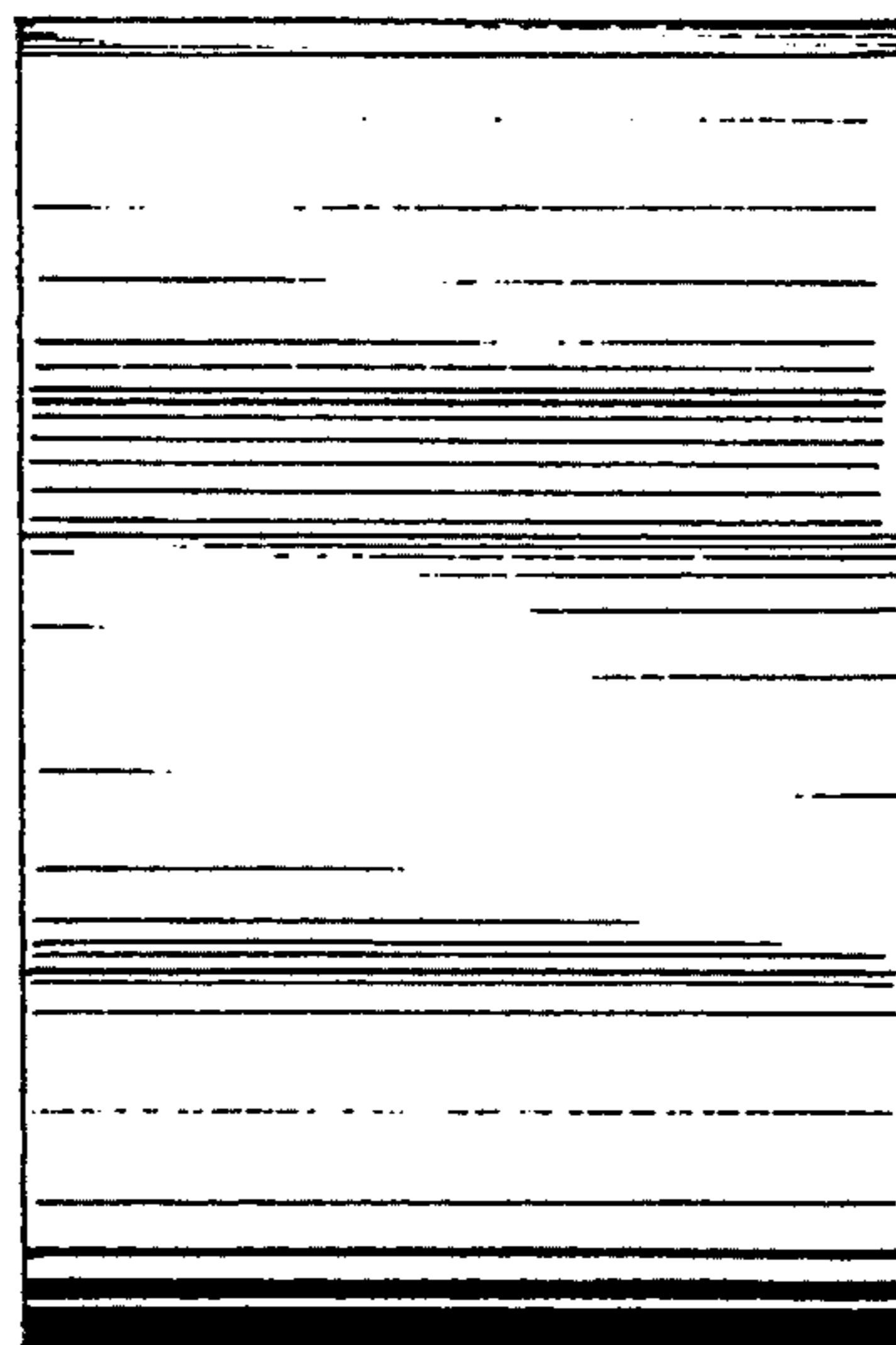


FIG. 7