



US00D359892S

United States Patent [19]

[11] Patent Number: **Des. 359,892**

Isbell, Sr.

[45] Date of Patent: **** Jul. 4, 1995**

[54] **SHOVEL FOR REMOVING DEBRIS FROM A GUTTER**

2,987,749 6/1961 Gortner 294/55 X

[76] Inventor: **Douglas K. Isbell, Sr.**, 307 S. Main St., Churubusco, Ind. 46723

FOREIGN PATENT DOCUMENTS

109624 6/1984 Japan 294/49

[**] Term: **14 Years**

Primary Examiner—James M. Gandy
Assistant Examiner—Holly Baynham
Attorney, Agent, or Firm—H. Jay Spiegel

[21] Appl. No.: **24,090**

[22] Filed: **Jun. 8, 1994**

[57] CLAIM

[52] U.S. Cl. **D8/10; D30/162; D32/74**

The ornamental design for a shovel for removing debris from a gutter, as shown and described.

[58] Field of Search **D8/10; D30/161, 162; 294/49, 55; D7/691; D32/74**

DESCRIPTION

[56] References Cited

FIG. 1 shows a front perspective view of the present invention;

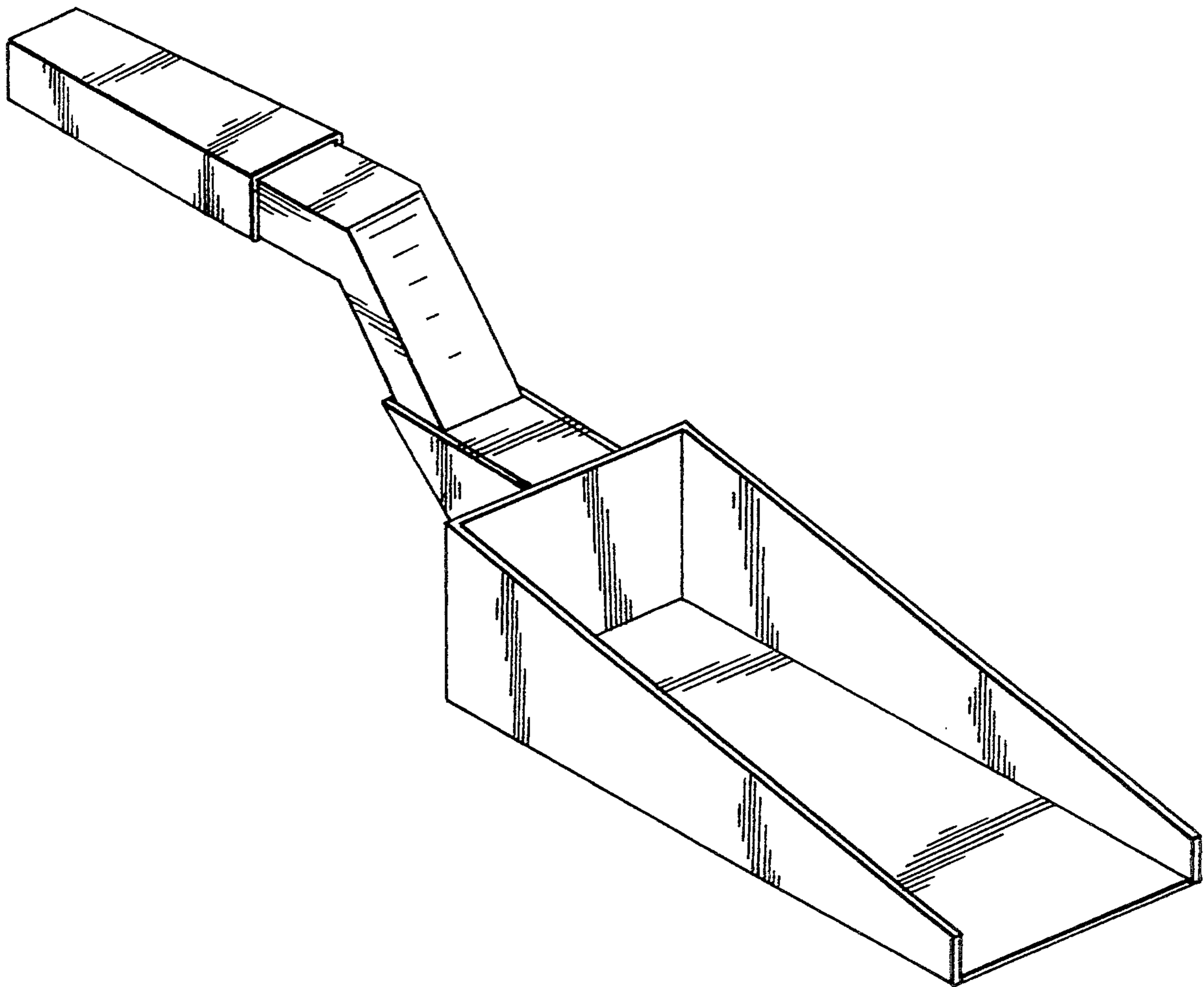
U.S. PATENT DOCUMENTS

D. 54,891	4/1920	Brule	D32/74
D. 272,799	2/1984	Pluss	D8/10
D. 283,196	4/1986	Hasse	D8/10
875,451	12/1907	Nelson et al.	294/49
1,287,901	12/1918	Custer	294/55 X
2,299,418	10/1942	Thomas	294/55

FIG. 2 shows a side view of the present invention;
FIG. 3 shows a view from the other side of the present invention;

FIG. 4 shows a front view of the present invention; and,
FIG. 5 shows a rear view of the present invention.

The undisclosed bottom view of the pan element of the shovel is planar and unornamented.



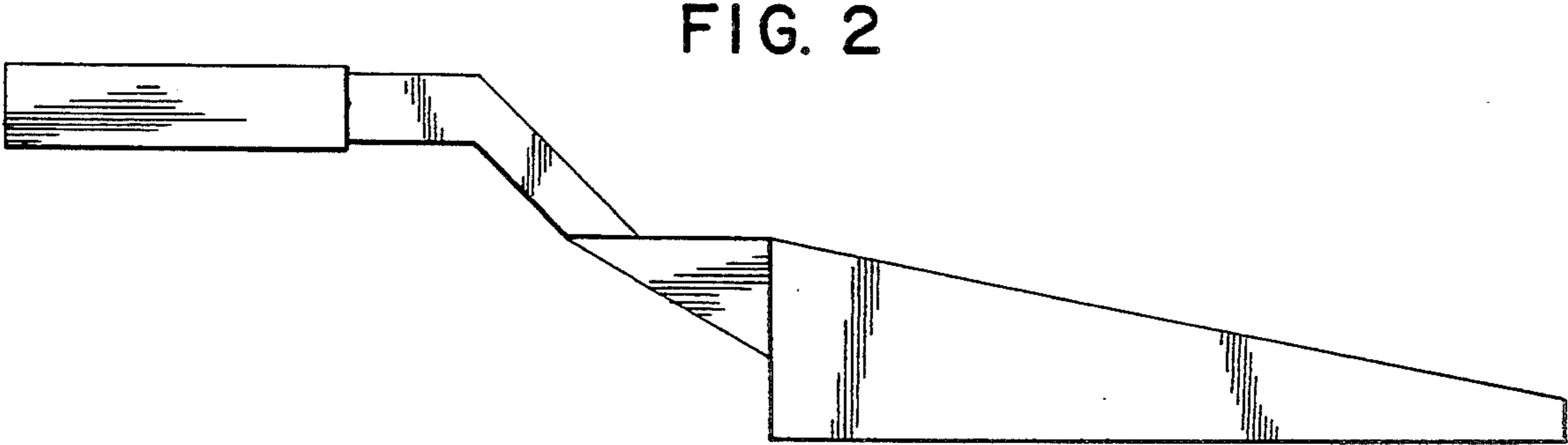
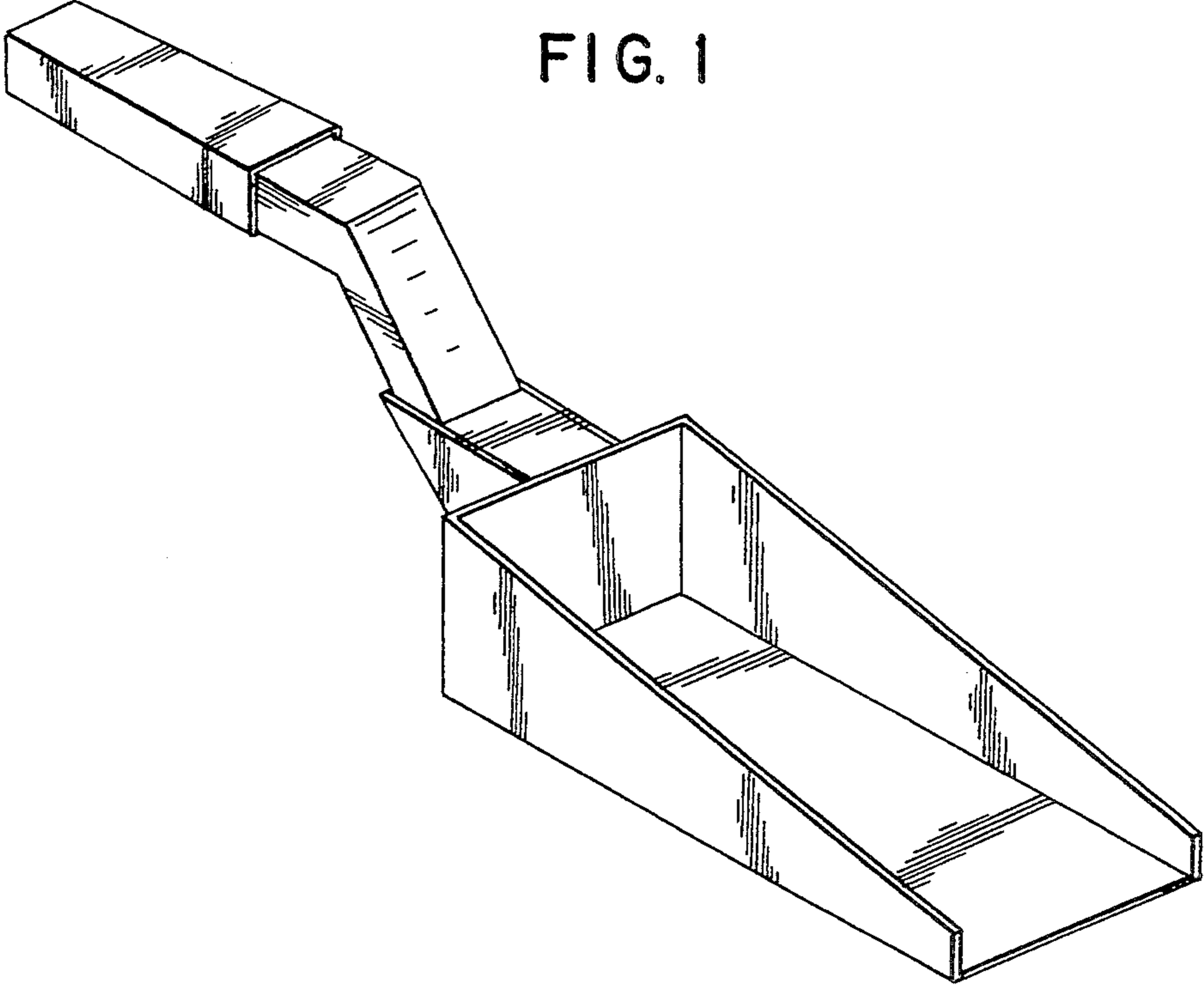


FIG. 3

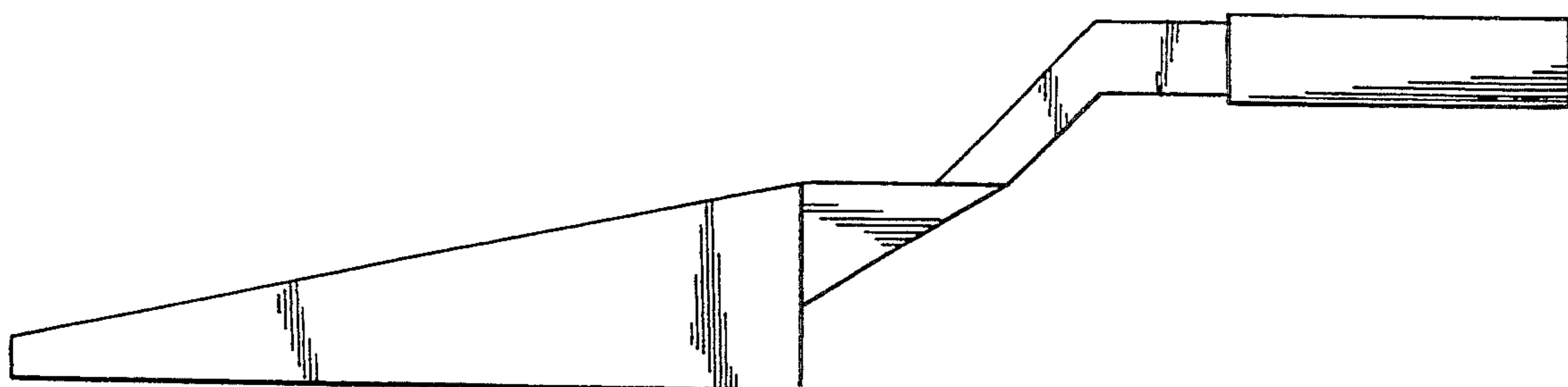


FIG. 4

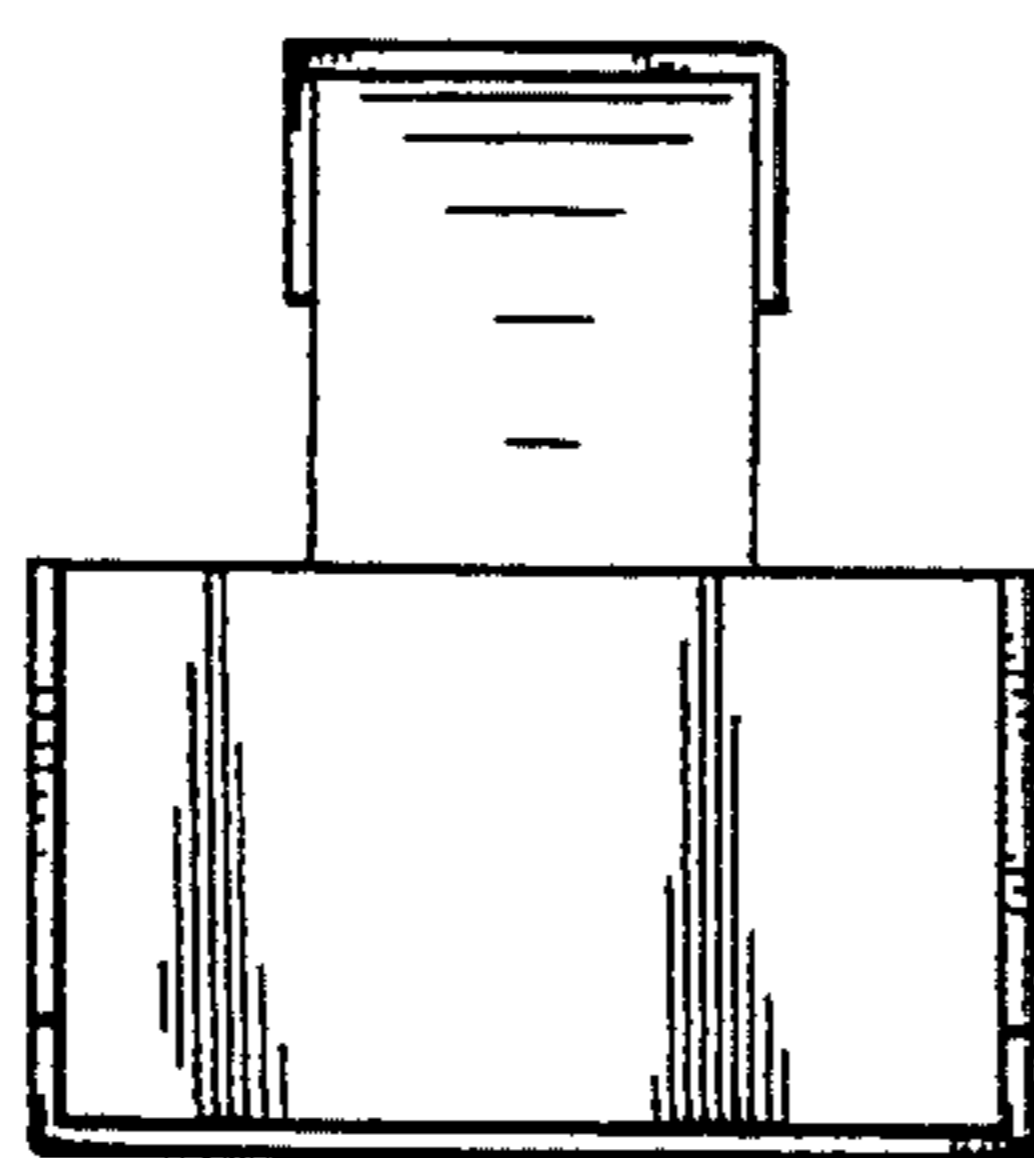


FIG. 5

