



US00D359891S

United States Patent [19]

[11] Patent Number: **Des. 359,891**

Hiller

[45] Date of Patent: **** Jul. 4, 1995**

[54] **CULTIVATING HOE**

FOREIGN PATENT DOCUMENTS

[76] Inventor: **Norman Hiller, #R.R. 1, Millet, Alberta, Canada, T0C 1Z0**

17334 7/1907 Norway 172/375

[**] Term: **14 Years**

Primary Examiner—James M. Gandy
Assistant Examiner—Holly Baynham
Attorney, Agent, or Firm—James A. Wong

[21] Appl. No.: **27,513**

[57] CLAIM

[22] Filed: **Aug. 23, 1994**

The ornamental design for a cultivating hoe, as shown and described.

[52] U.S. Cl. **D8/9**

DESCRIPTION

[58] Field of Search **D8/7, 9, 11; 172/371-372, 375-376; 7/114-116; 56/400.01, 400.04, 400.21**

FIG. 1 is a view in perspective, looking along the length of the handle and front side of the blade constituting the present invention;

[56] References Cited

U.S. PATENT DOCUMENTS

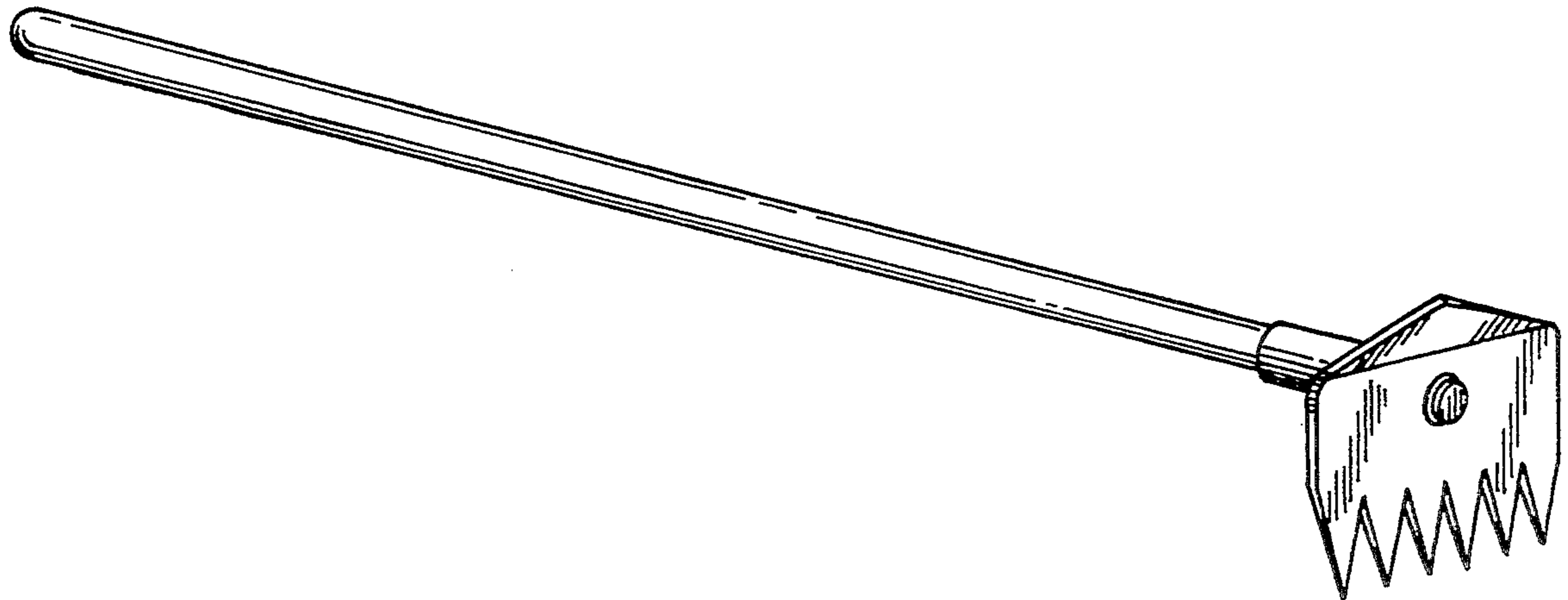
D. 32,228	2/1900	McDonald	D8/9
197,956	12/1877	Walker	172/375
1,169,284	1/1916	Potter	172/375
2,267,201	12/1941	Hirai	D8/9 X

FIG. 2 is a front elevational view of the cultivating hoe; FIG. 3 is a back elevational view of the cultivating hoe; FIG. 4 is an elevational view of the cultivating hoe as shown in FIG. 2, looking from the left thereof;

FIG. 5 is an elevational view of the cultivating hoe as shown in FIG. 2, looking from the right thereof;

FIG. 6 is a top plan view thereof; and,

FIG. 7 is a bottom plan view thereof.



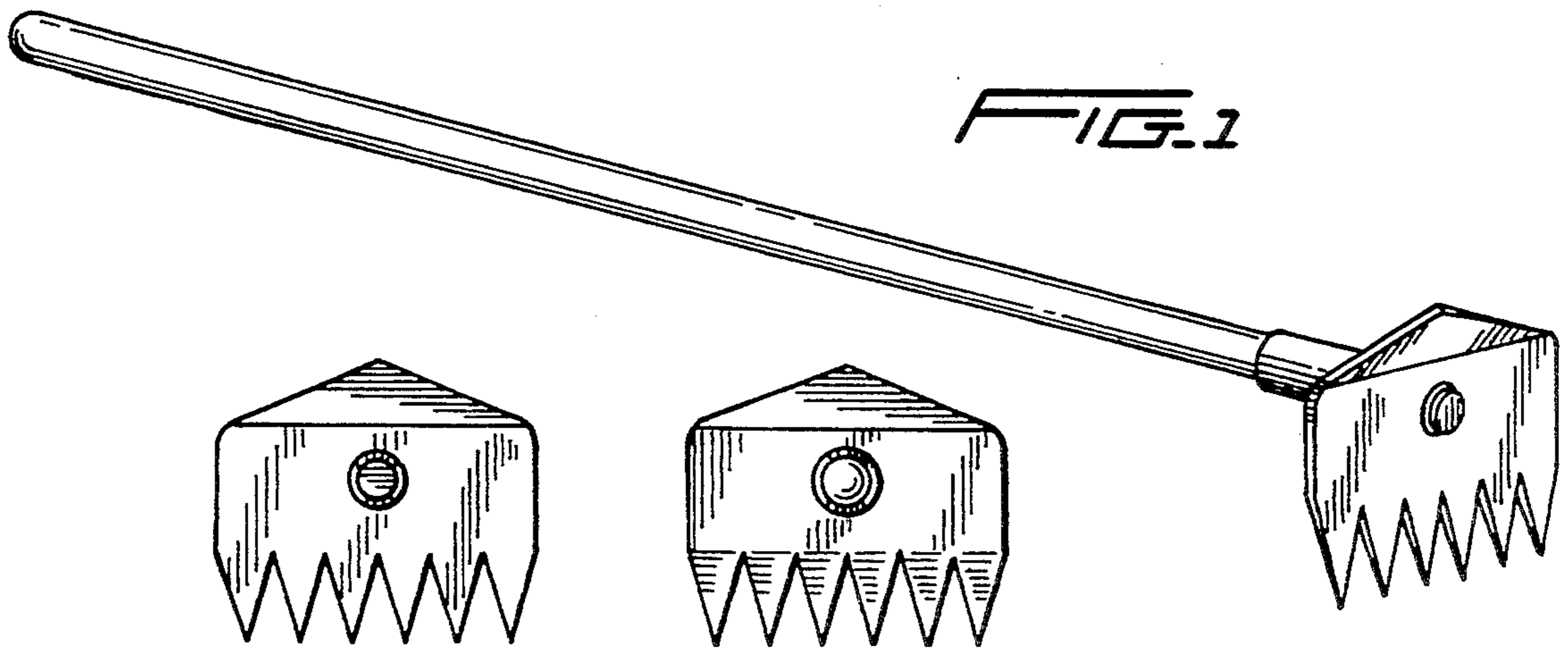


FIG. 1

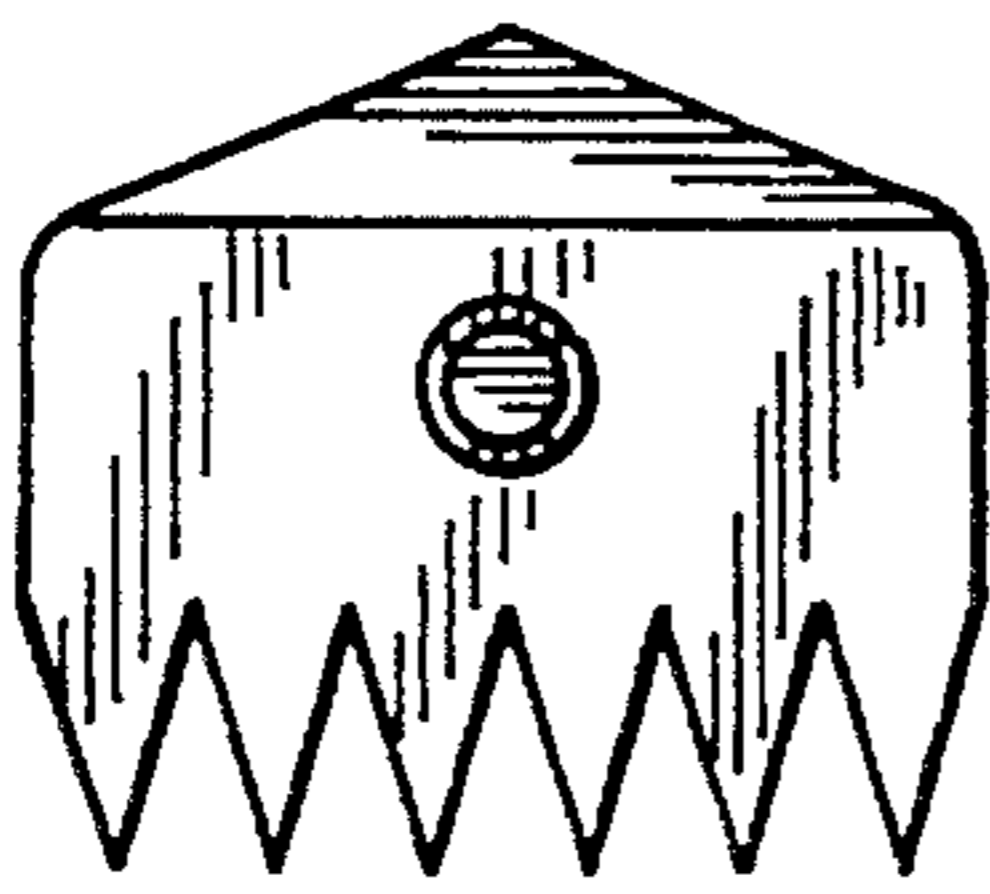


FIG. 2

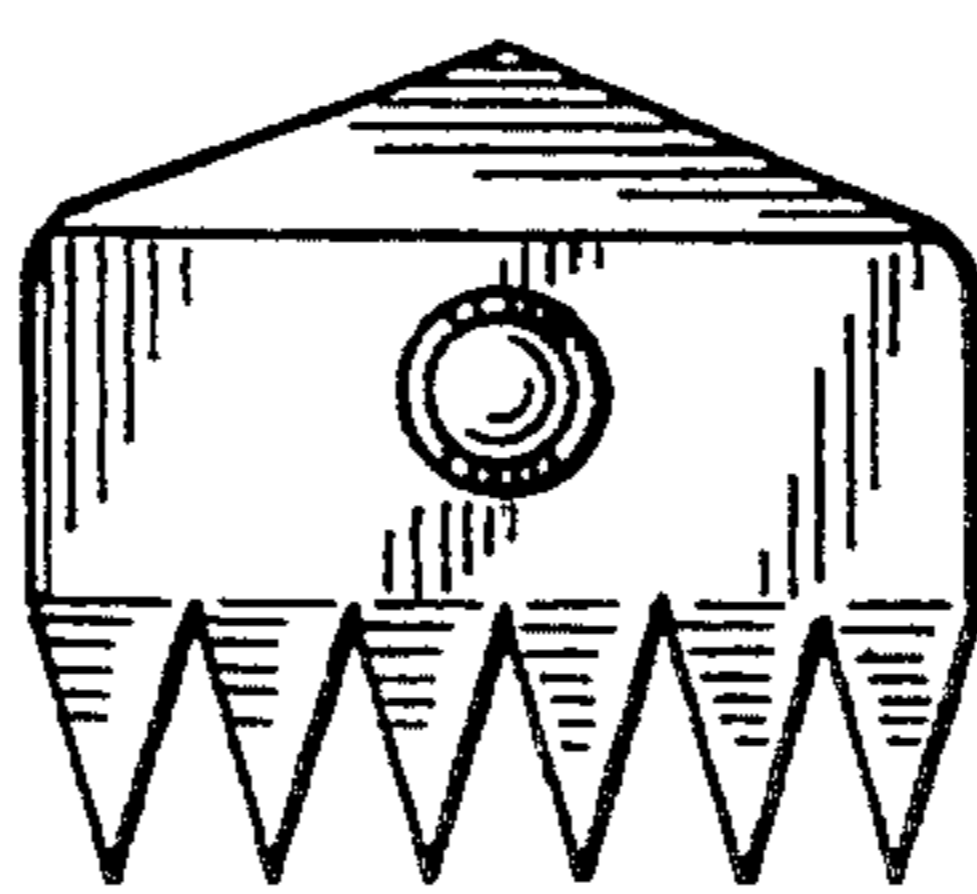


FIG. 3



FIG. 4



FIG. 5



FIG. 6



FIG. 7