



US00D359882S

United States Patent [19]

[11] Patent Number: **Des. 359,882**

Birge, Jr.

[45] Date of Patent: **** Jul. 4, 1995**

[54] **NONSPILLABLE CUP**

[76] Inventor: **Charles F. Birge, Jr.**, 43 Woodland Dr., Harwinton, Conn. 06791

[**] Term: **14 Years**

[21] Appl. No.: **18,269**

[22] Filed: **Feb. 2, 1994**

[52] U.S. Cl. **D7/510; D7/511**

[58] Field of Search **D7/510, 511, 507, 509, D7/514, 523, 533, 608; D9/440, 445, 446, 551, 564, 505, 504, 500, 538, 539, 532, 502, 557; 220/703, 711, 713, 705, 707, 709, 714, 715, 675; 215/1 A, 329**

4,243,156 1/1981 Lobbestael 220/713 X

4,388,996 6/1983 Panicci .

4,412,629 11/1983 Dart et al. 220/711

4,600,111 7/1986 Brown .

4,767,019 8/1988 Horner 220/713

4,925,052 5/1990 Betka et al. .

4,953,737 9/1990 Meyers .

5,050,759 9/1991 Marble .

5,294,018 3/1994 Boucher 220/711 X

FOREIGN PATENT DOCUMENTS

220533 5/1987 European Pat. Off. D7/523

Primary Examiner—Alan P. Douglas

Assistant Examiner—M. N. Pandozzi

[56] References Cited

U.S. PATENT DOCUMENTS

D. 4,260 7/1870 Doyle D9/503

D. 5,055 6/1871 Smith et al. D9/503

D. 273,651 5/1984 Emrick D7/523

2,728,516 12/1955 Rodman D7/533 X

3,144,956 8/1964 Rosenheim D7/507 X

3,301,459 1/1967 Gardner 220/711 X

3,773,243 11/1973 Greene 220/709 X

3,822,030 7/1974 Tanzer 220/709

4,187,954 2/1980 Striggow 220/713

4,210,256 7/1980 Amberg et al. 220/715

[57] CLAIM

The ornamental design for the nonspillable cup, as shown and described.

DESCRIPTION

FIG. 1 is a front elevational view of the nonspillable cup showing my new design;

FIG. 2 is a rear elevational view thereof;

FIG. 3 is a left side elevational view thereof;

FIG. 4 is a right side elevational view thereof;

FIG. 5 is a top plan view thereof; and,

FIG. 6 is a bottom plan view thereof.

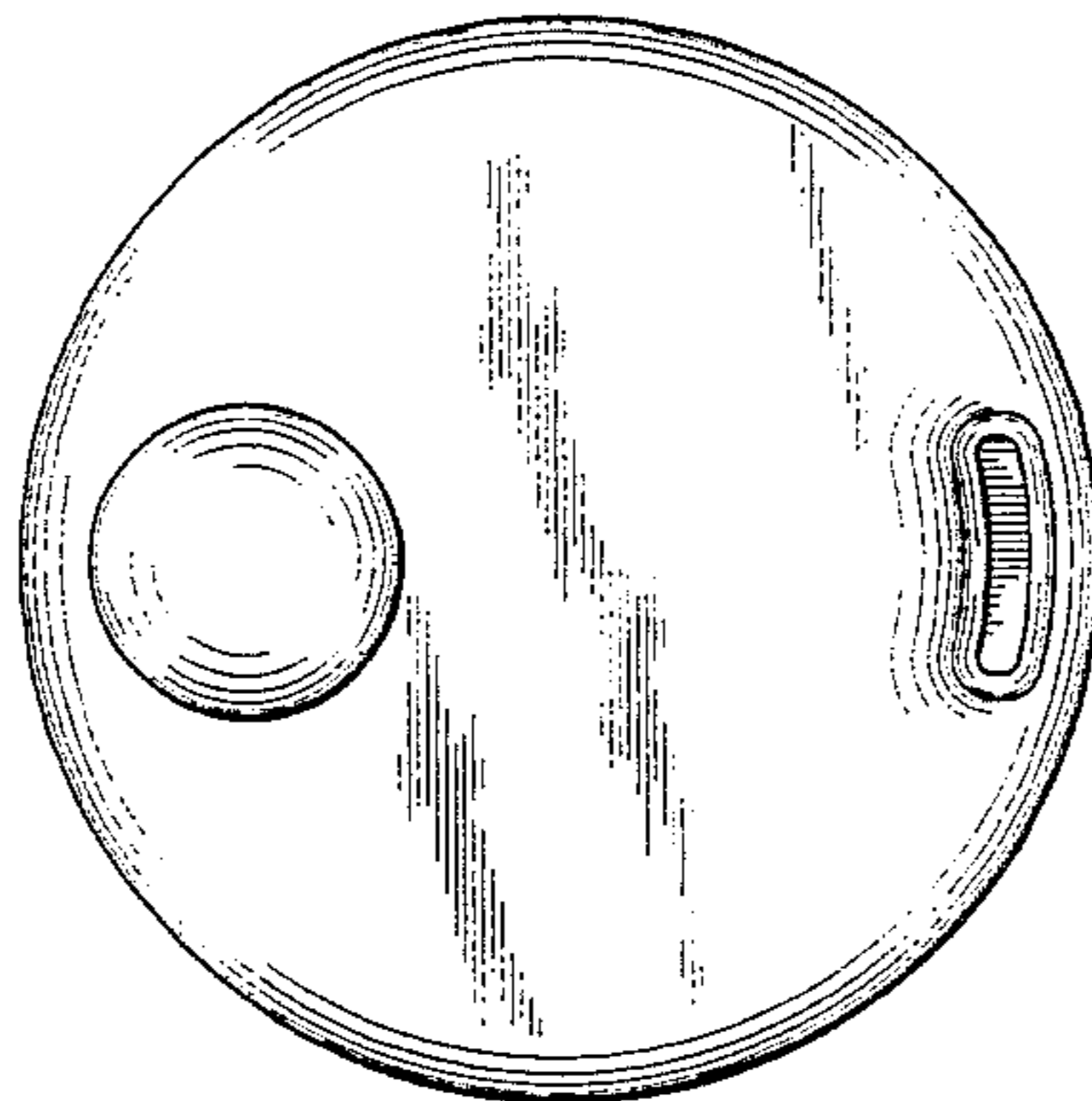
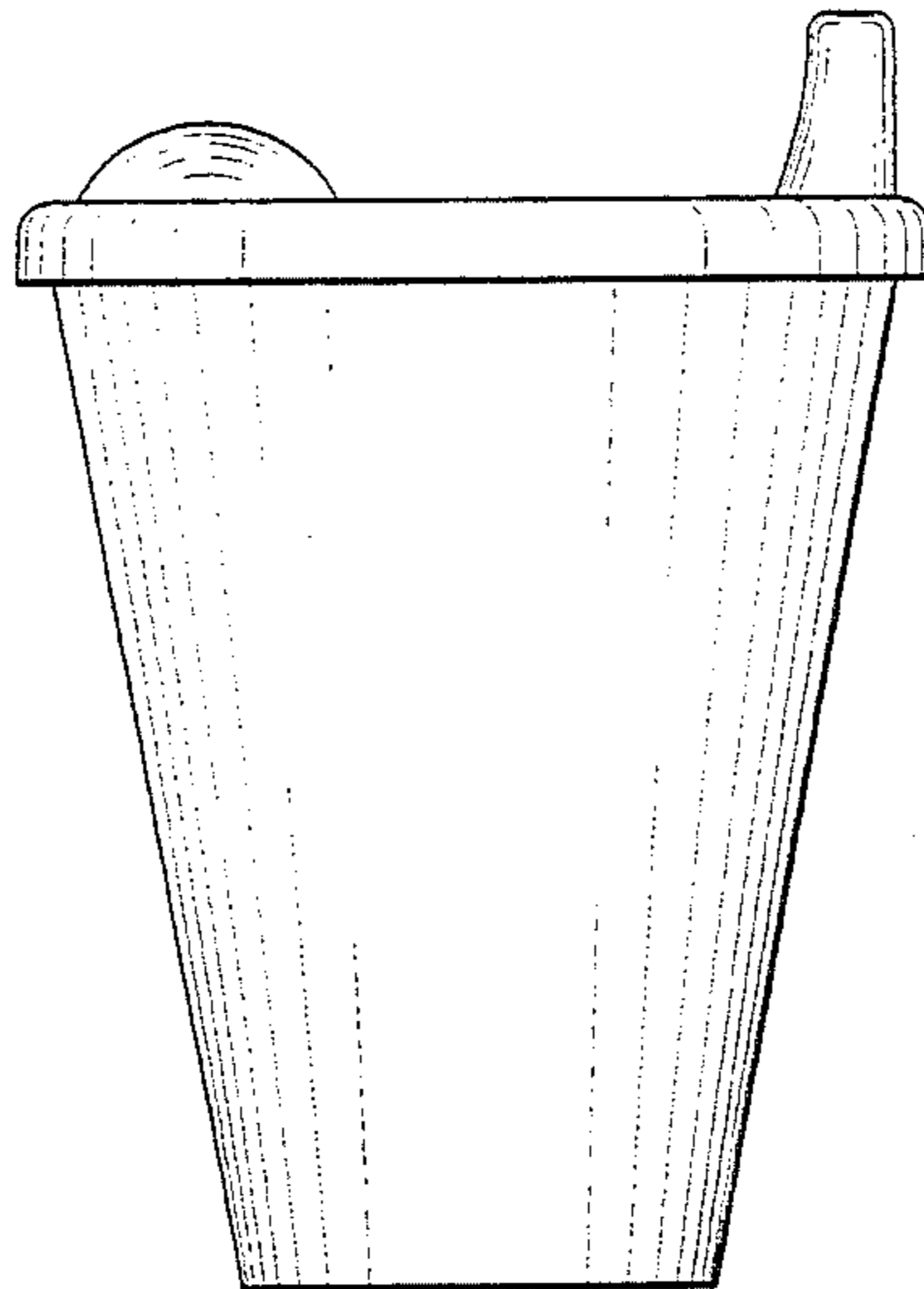


FIG. 1

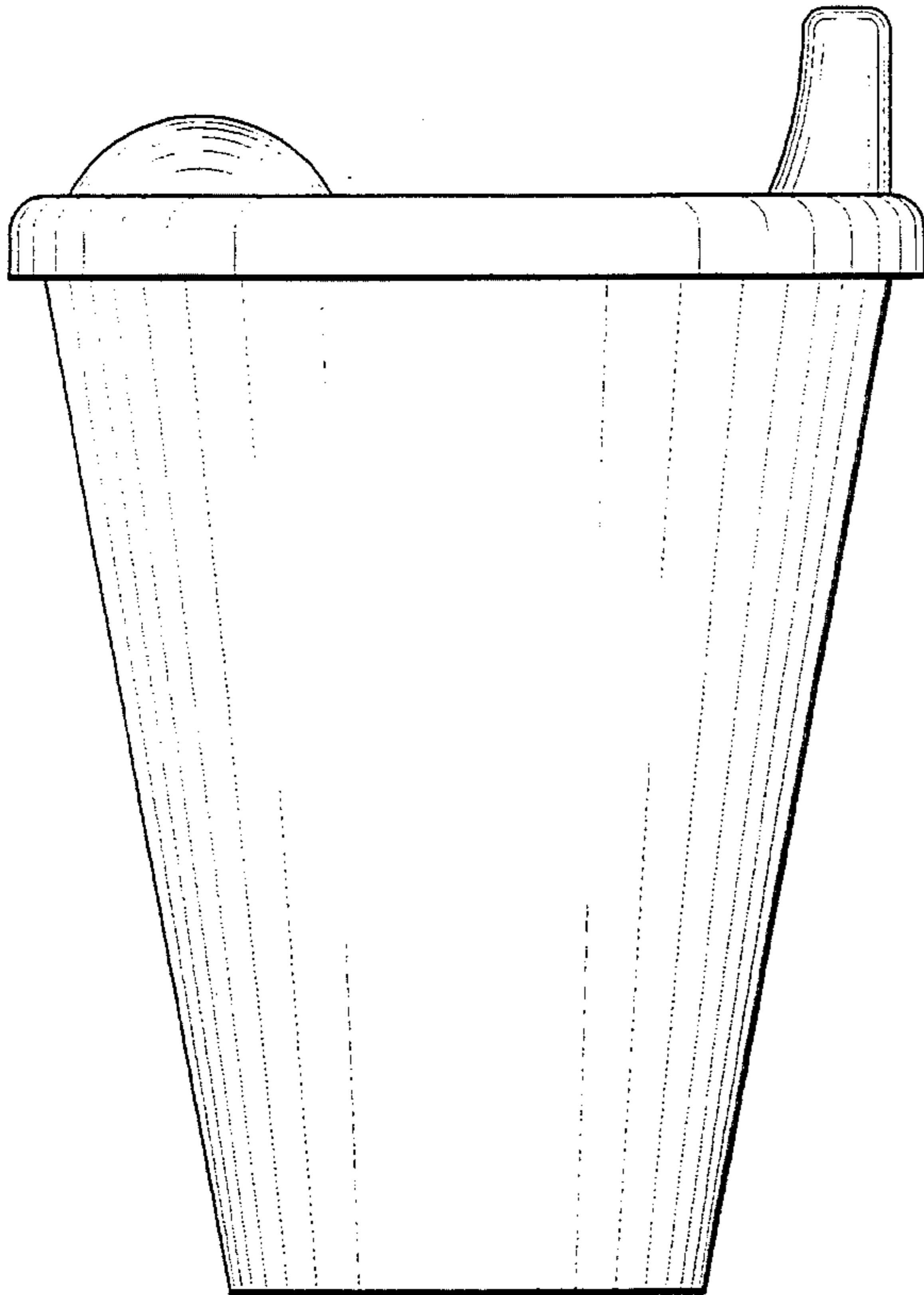


FIG. 2

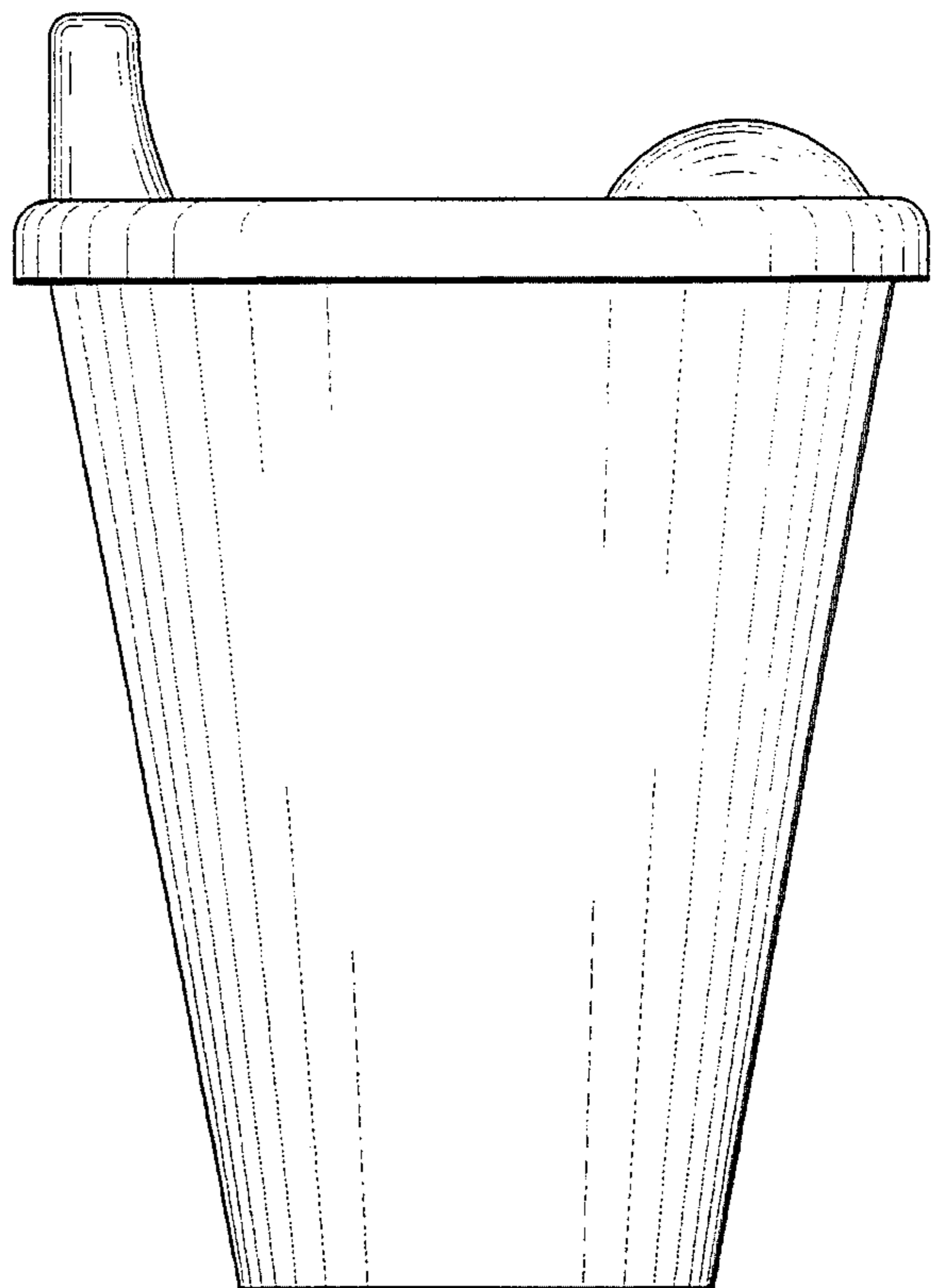


FIG. 3

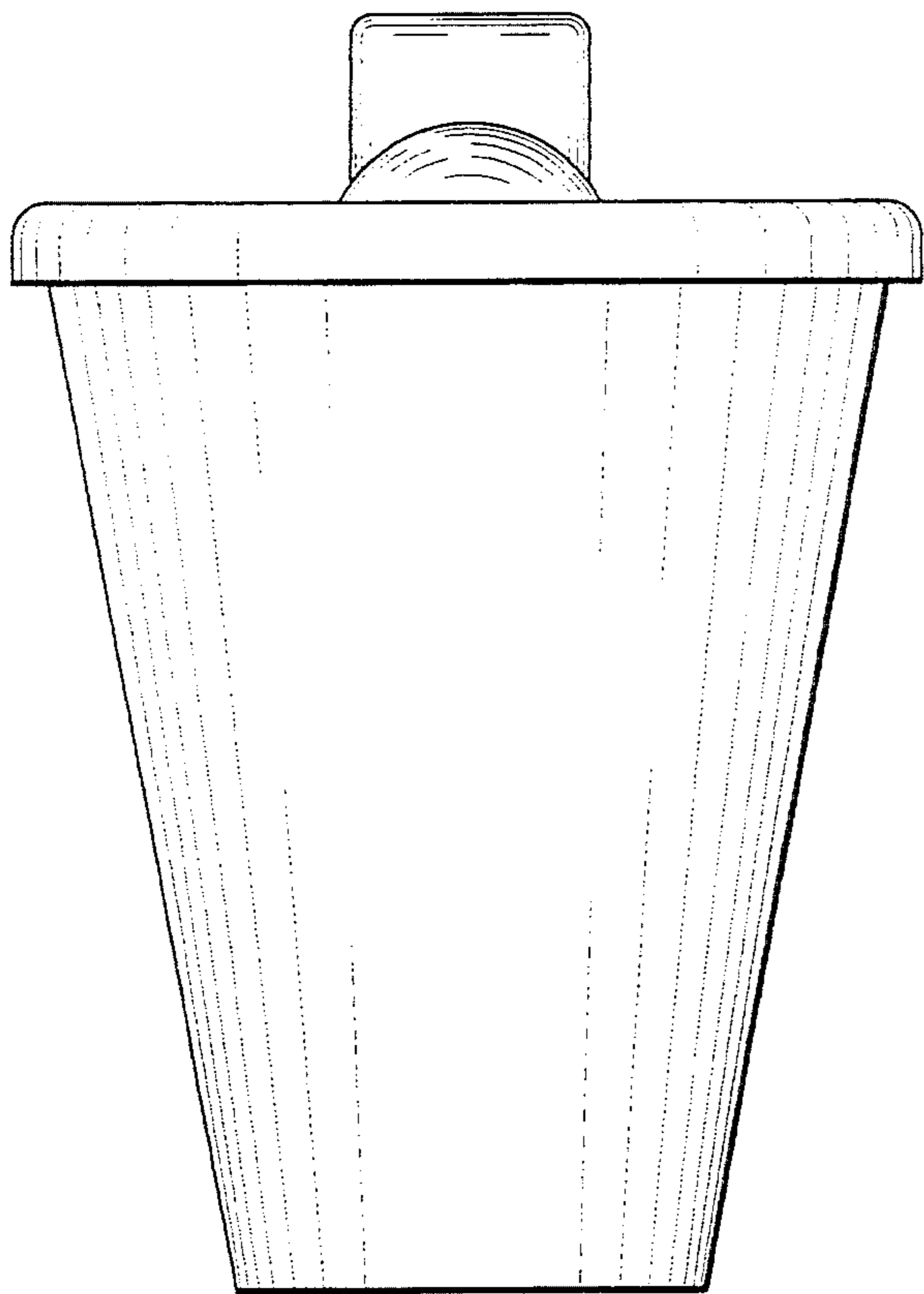


FIG. 4

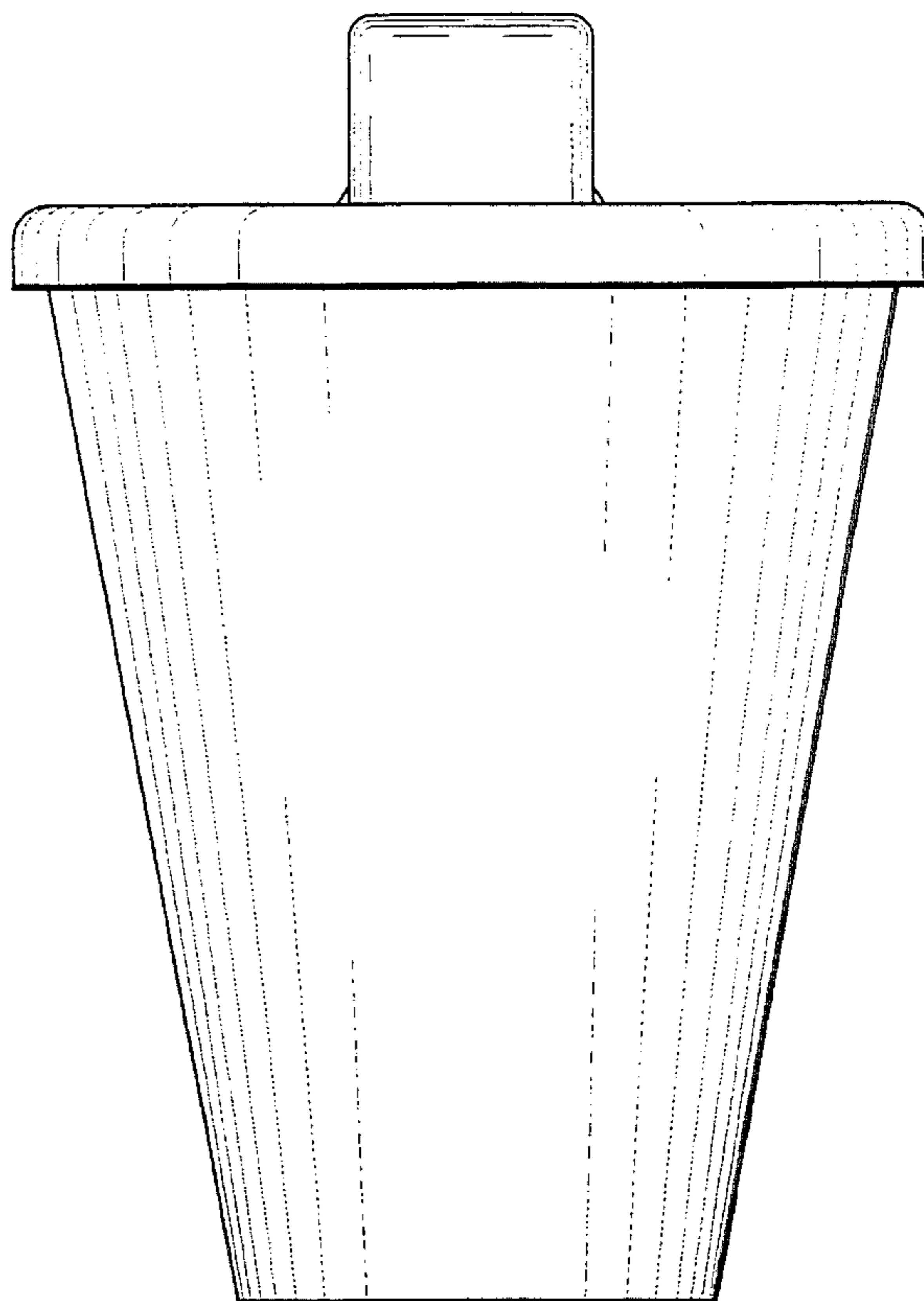


FIG. 5

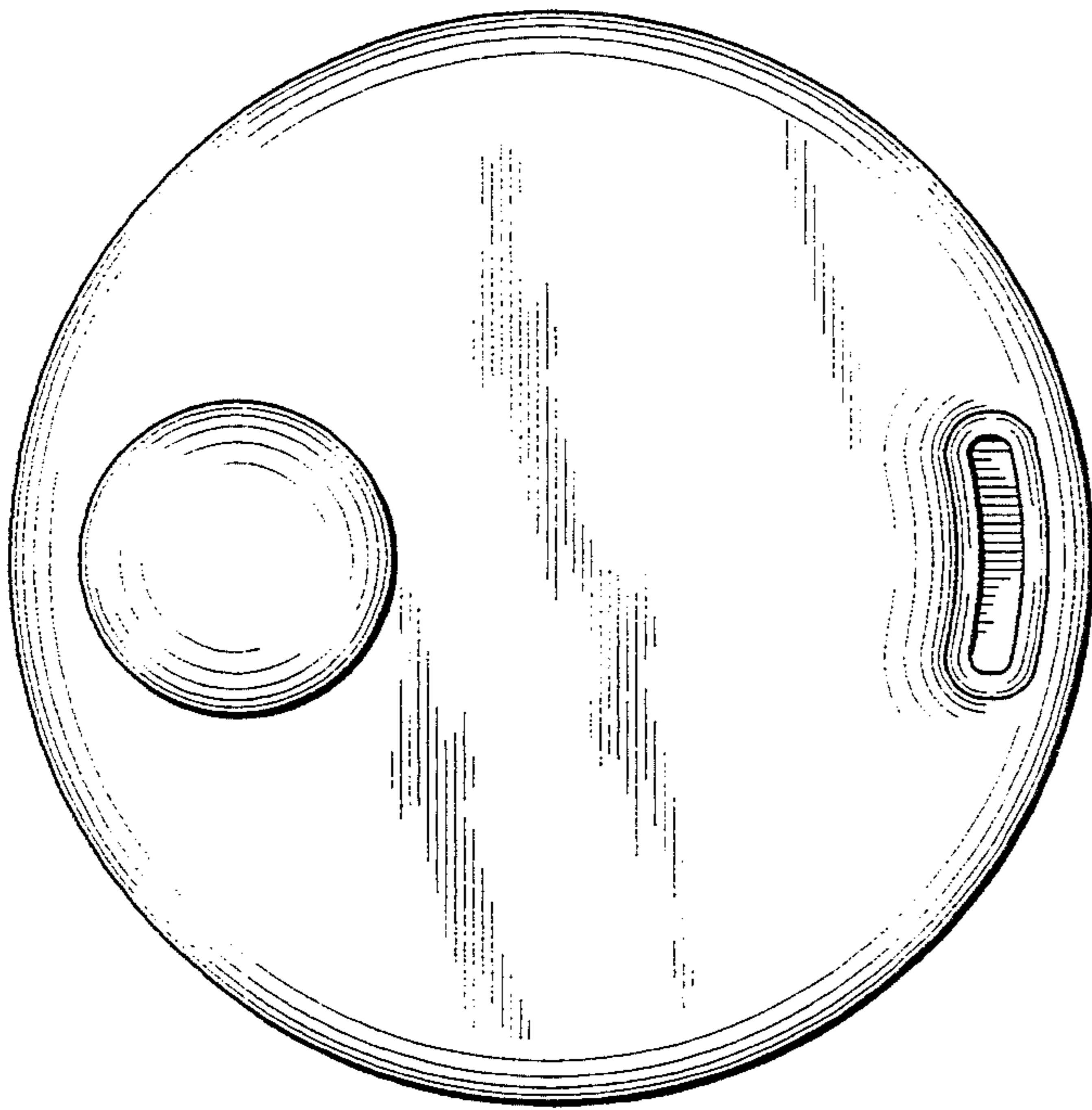


FIG. 6

