



US00D359880S

United States Patent [19]

[11] Patent Number: **Des. 359,880**

Fielding et al.

[45] Date of Patent: **** Jul. 4, 1995**

[54] **ROASTING RACK**

2,205,064 6/1940 Irwin D7/409 X
2,214,137 9/1940 Irwin et al. D7/409 X

[75] Inventors: **Douglas R. Fielding; Charles S. Adams**, both of Berkeley, Calif.

Primary Examiner—Alan P. Douglas
Assistant Examiner—Caron D. Veynar
Attorney, Agent, or Firm—Owen, Wickersham & Erickson

[73] Assignee: **Charcoal Companion, Inc.**, Oakland, Calif.

[**] Term: **14 Years**

[57] **CLAIM**

[21] Appl. No.: **21,207**

The ornamental design for roasting rack, as shown and described.

[22] Filed: **Apr. 12, 1994**

DESCRIPTION

[52] U.S. Cl. **D7/409; D7/323**

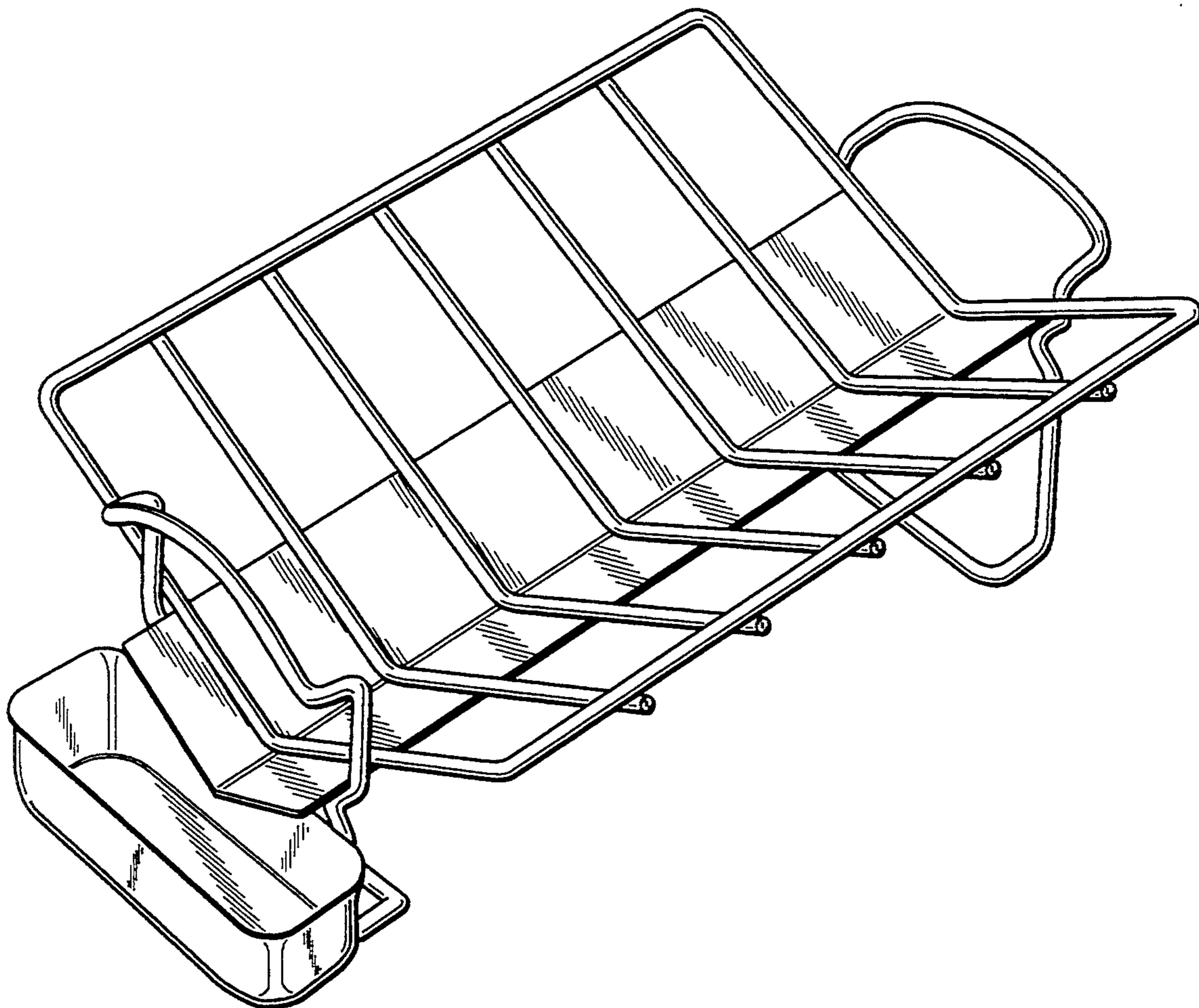
[58] Field of Search **D7/323, 409; 99/419, 99/426, 448**

FIG. 1 is a view in perspective of a roasting rack embodying our new design;
FIG. 2 is a front end elevational view thereof;
FIG. 3 is a right side elevational view thereof which is the same as the left side elevational view;
FIG. 4 is a rear end elevational view thereof;
FIG. 5 is a top view thereof; and,
FIG. 6 is a bottom view thereof.

[56] **References Cited**

U.S. PATENT DOCUMENTS

- D. 260,227 8/1981 Bentson D7/409
- D. 308,317 6/1990 Koziol D7/409



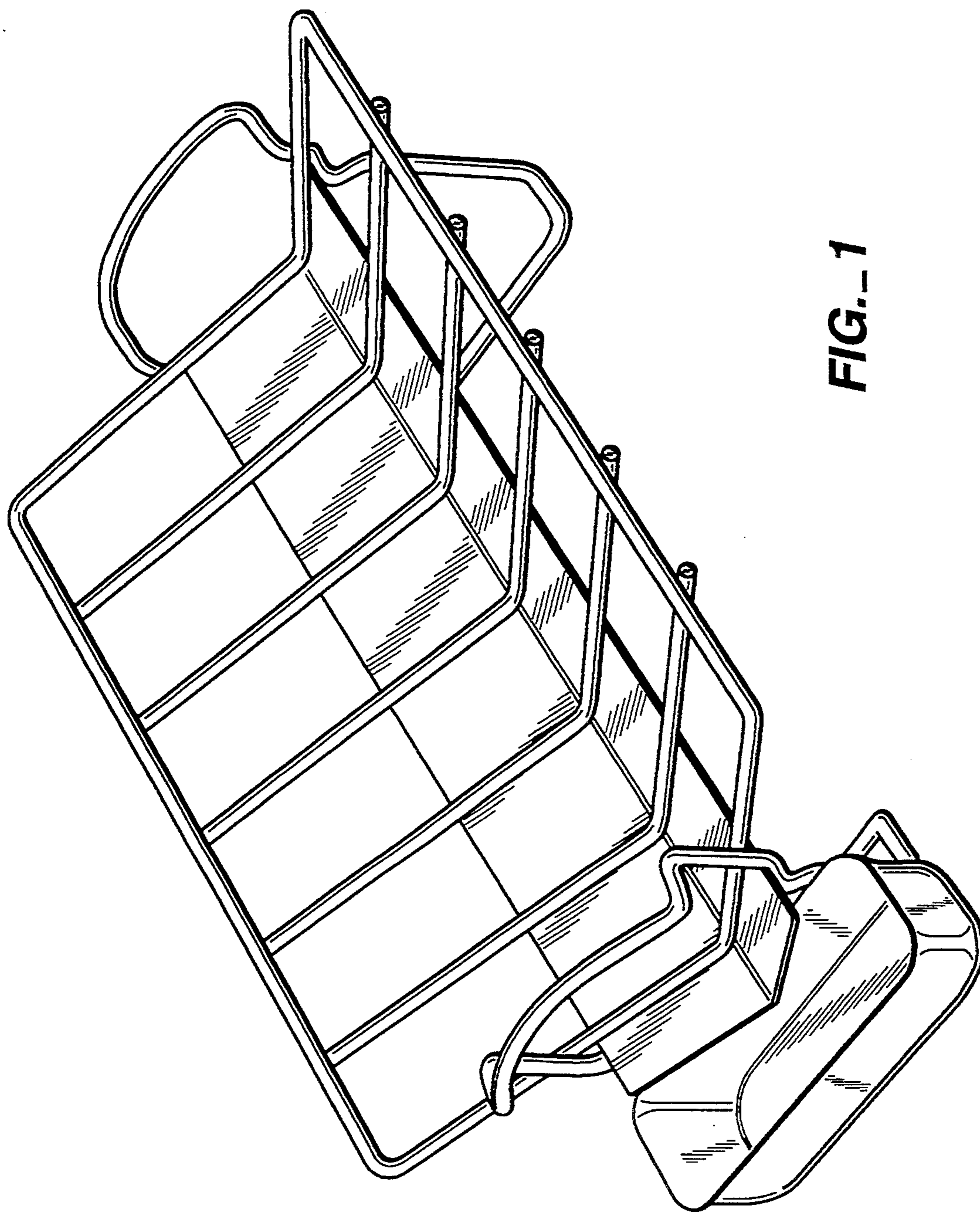


FIG. 1

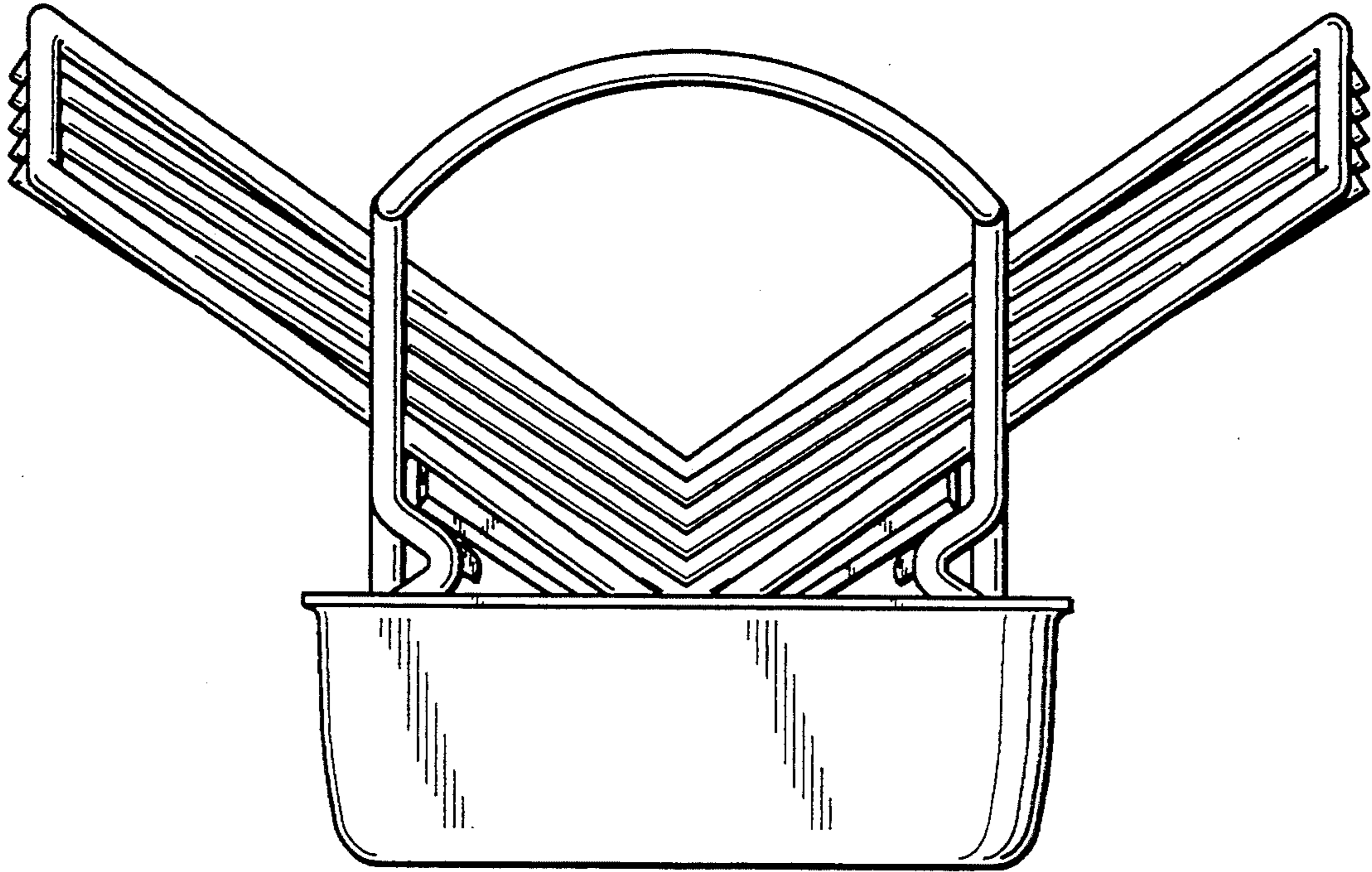


FIG. 2

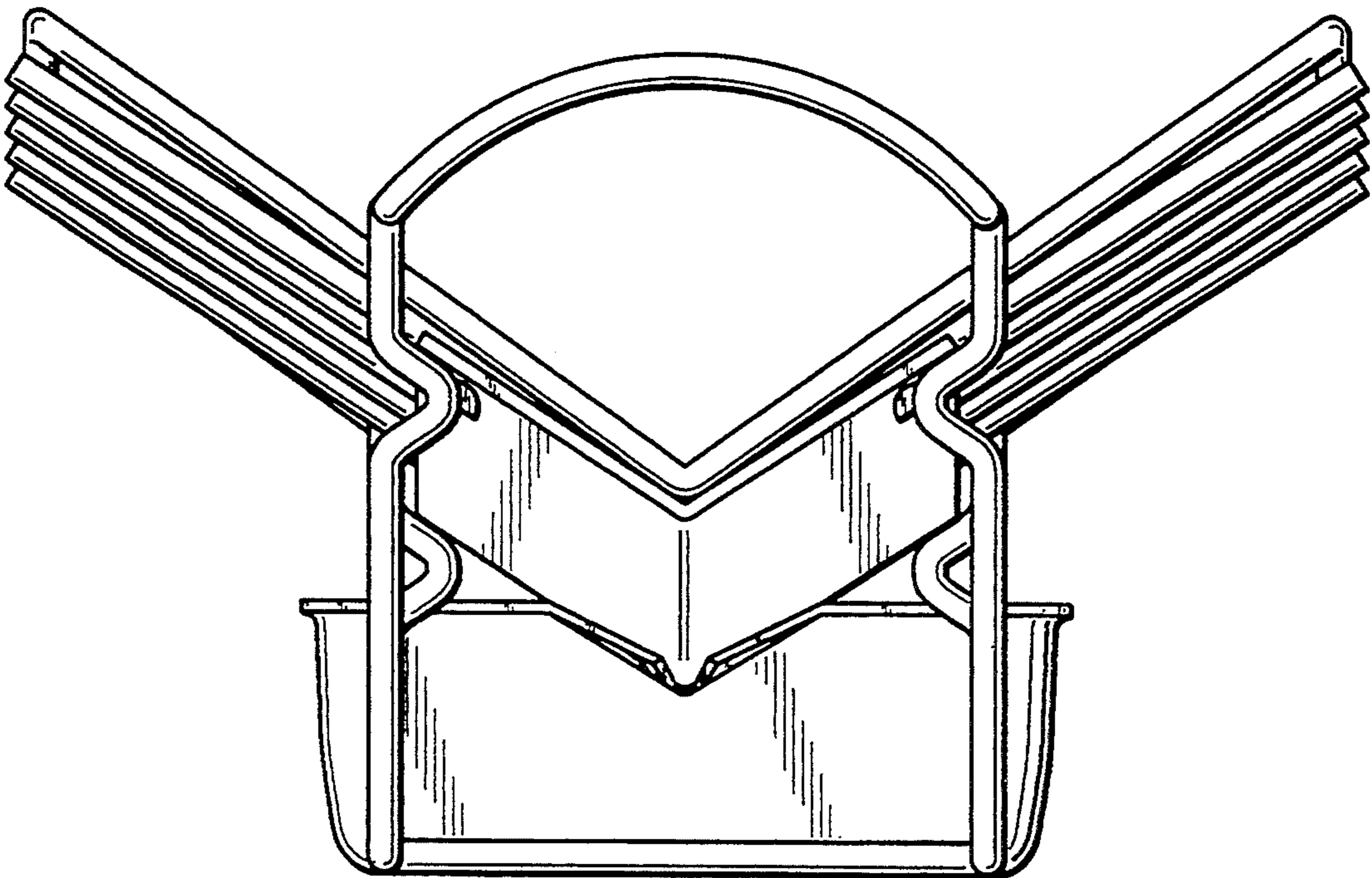


FIG. 4

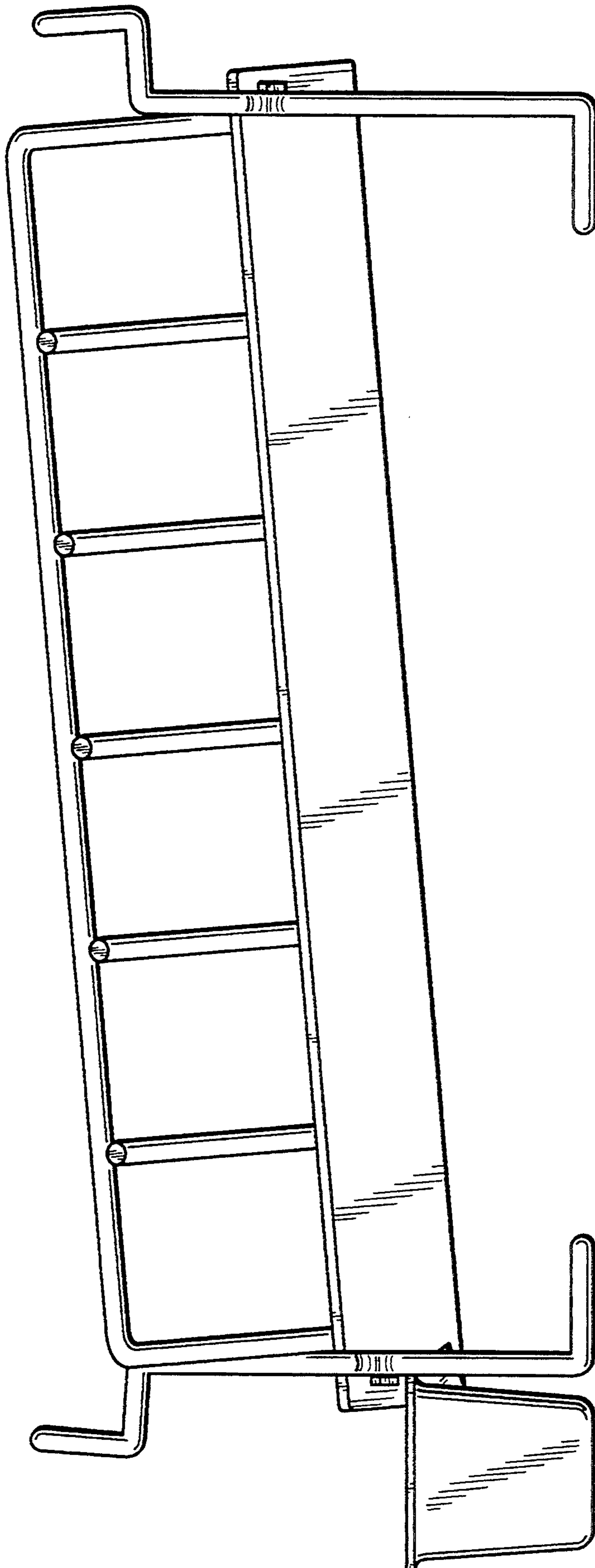


FIG. 3

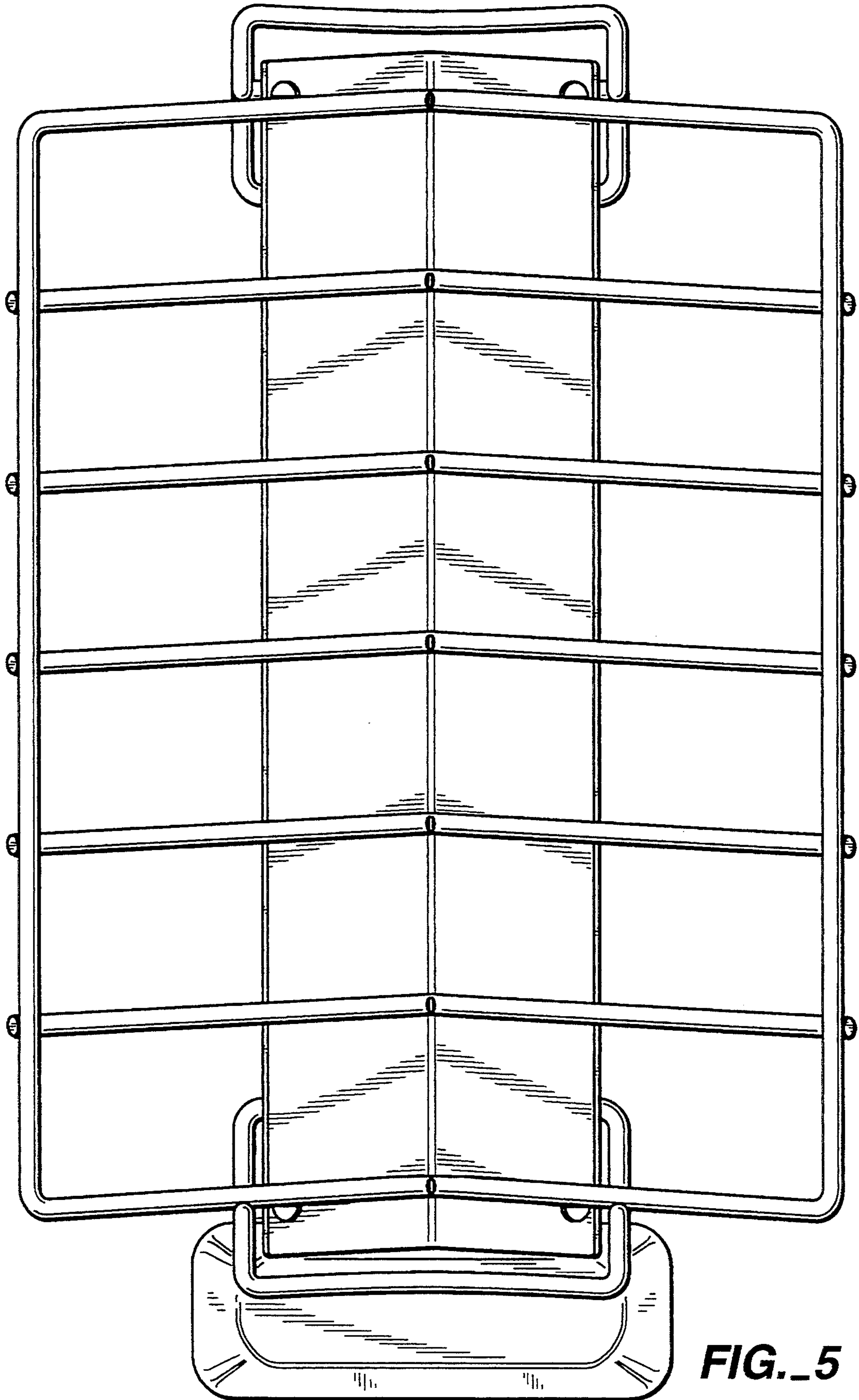


FIG. 5

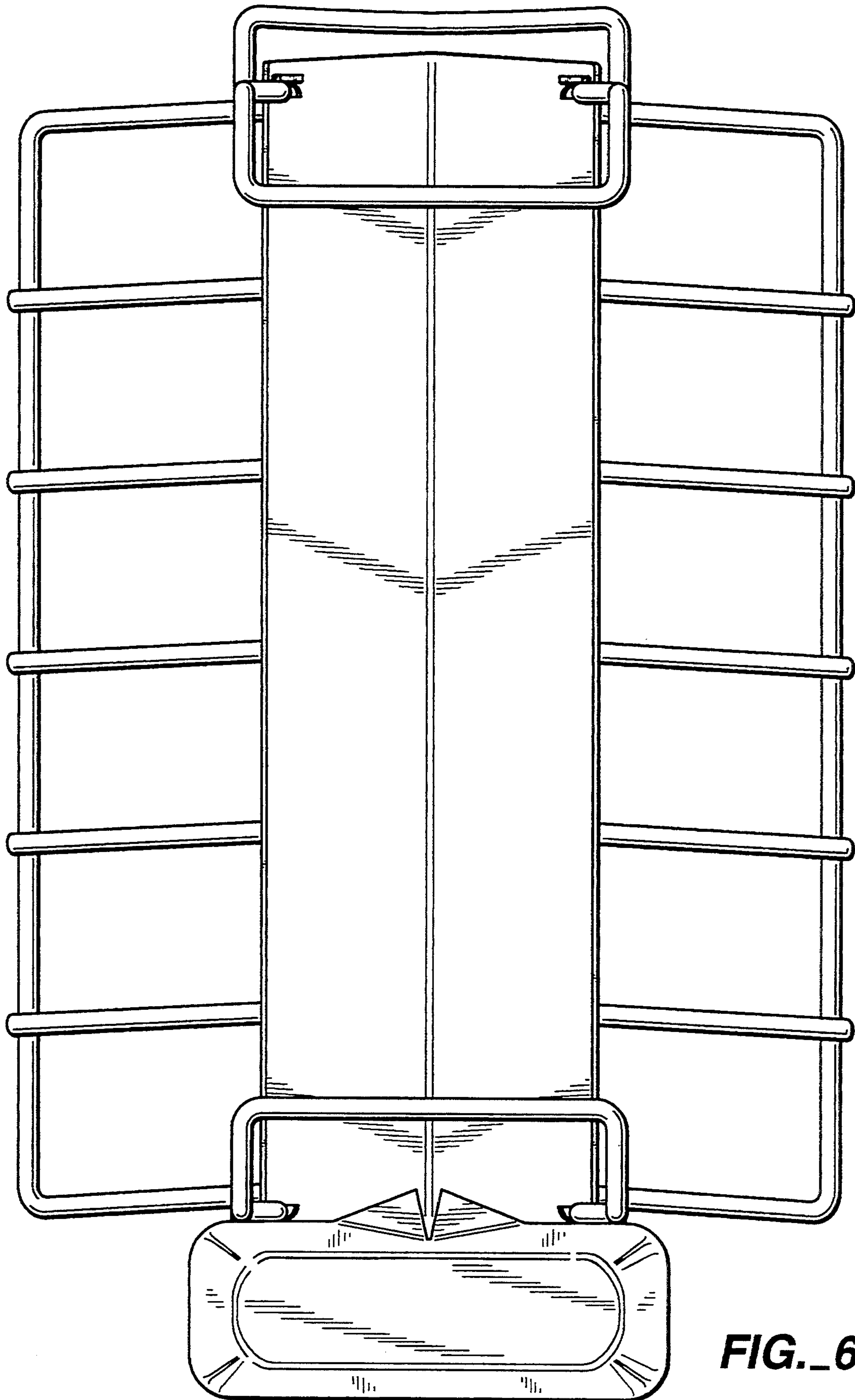


FIG. 6