



US00D359879S

United States Patent [19]

[11] Patent Number: **Des. 359,879**

Fielding et al.

[45] Date of Patent: **** Jul. 4, 1995**

[54] **ROASTING PAN**

[75] Inventors: **Douglas R. Fielding; Charles S. Adams**, both of Berkeley, Calif.

[73] Assignee: **Charcoal Companion, Inc.**, Oakland, Calif.

[**] Term: **14 Years**

[21] Appl. No.: **21,161**

[22] Filed: **Apr. 12, 1994**

[52] U.S. Cl. **D7/354; D7/359**

[58] Field of Search **D7/323, 354, 359, 409; 99/444, 445, 446**

[56] **References Cited**

U.S. PATENT DOCUMENTS

- D. 89,827 5/1933 Klemme D7/359
- D. 118,234 12/1939 Grundstrom D7/409
- 3,427,955 2/1969 Menzin D7/359 X

OTHER PUBLICATIONS

Retailing Home Furnishings; Jan. 16, 1978; p. 14 Sec. 3, Pan top of page.

HFD-Retailing Home Furnishings, Nov. 15, 1982; p. 3. Roasting Pan just above cutting board.

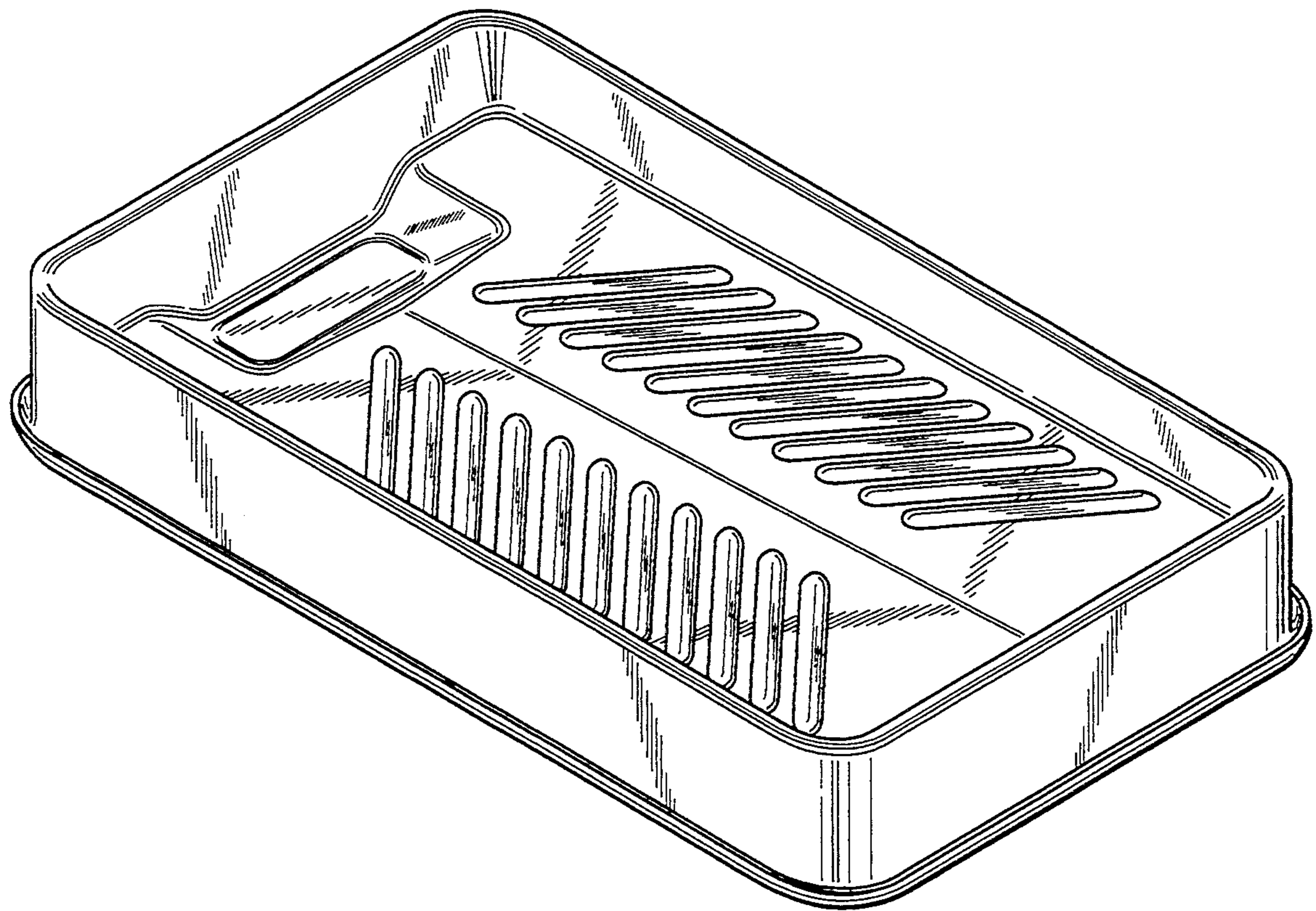
Primary Examiner—Alan P. Douglas
Assistant Examiner—Caron D. Veynar
Attorney, Agent, or Firm—Owen, Wickersham & Erickson

[57] **CLAIM**

The ornamental design for roasting pan, as shown and described.

DESCRIPTION

FIG. 1 is a view in perspective of a roasting pan embodying our new design;
 FIG. 2 is a rear elevational end view thereof which is the same as the front elevational view thereof;
 FIG. 3 is a left side elevational view thereof which is the same as the right side elevational view;
 FIG. 4 is a top view thereof;
 FIG. 5 is a bottom view thereof;
 FIG. 6 is a view in elevation and in section taken along line 6—6 of FIG. 4; and,
 FIG. 7 is a view in elevation and in section taken along line 7—7 of FIG. 4.



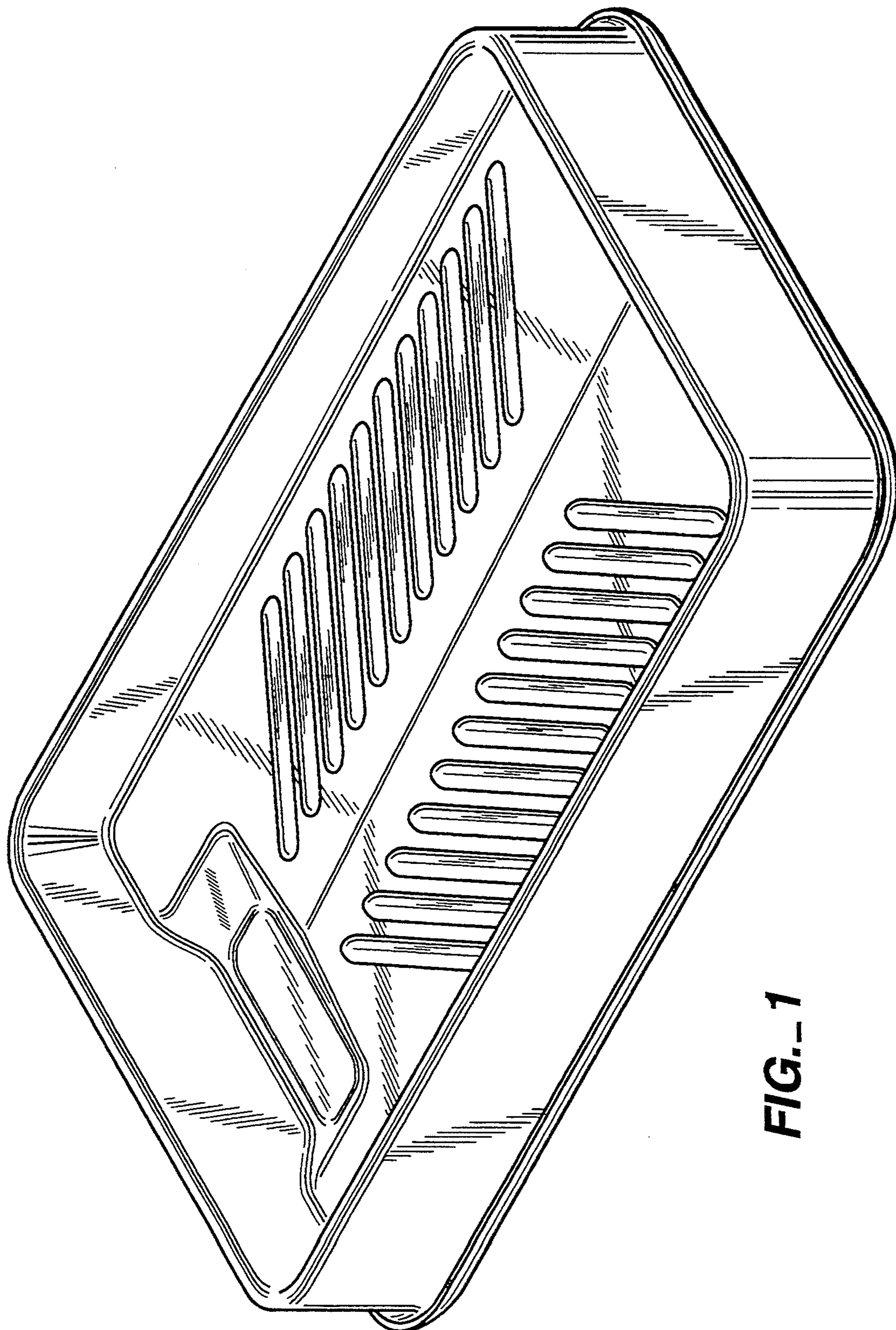


FIG.-1

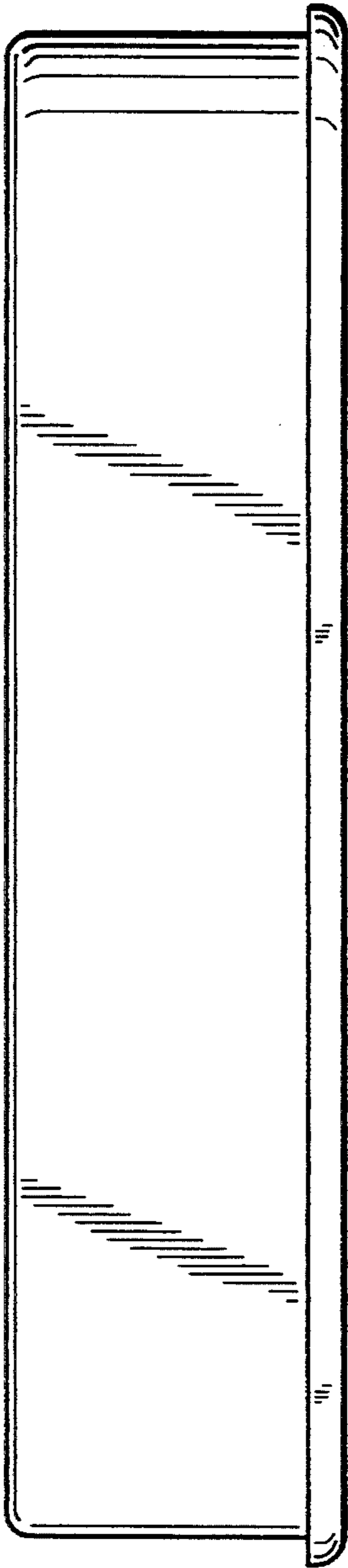


FIG. 2

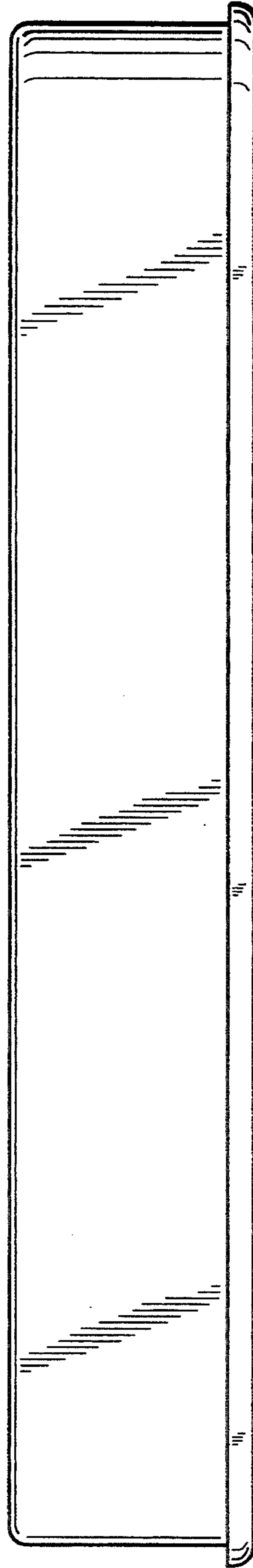
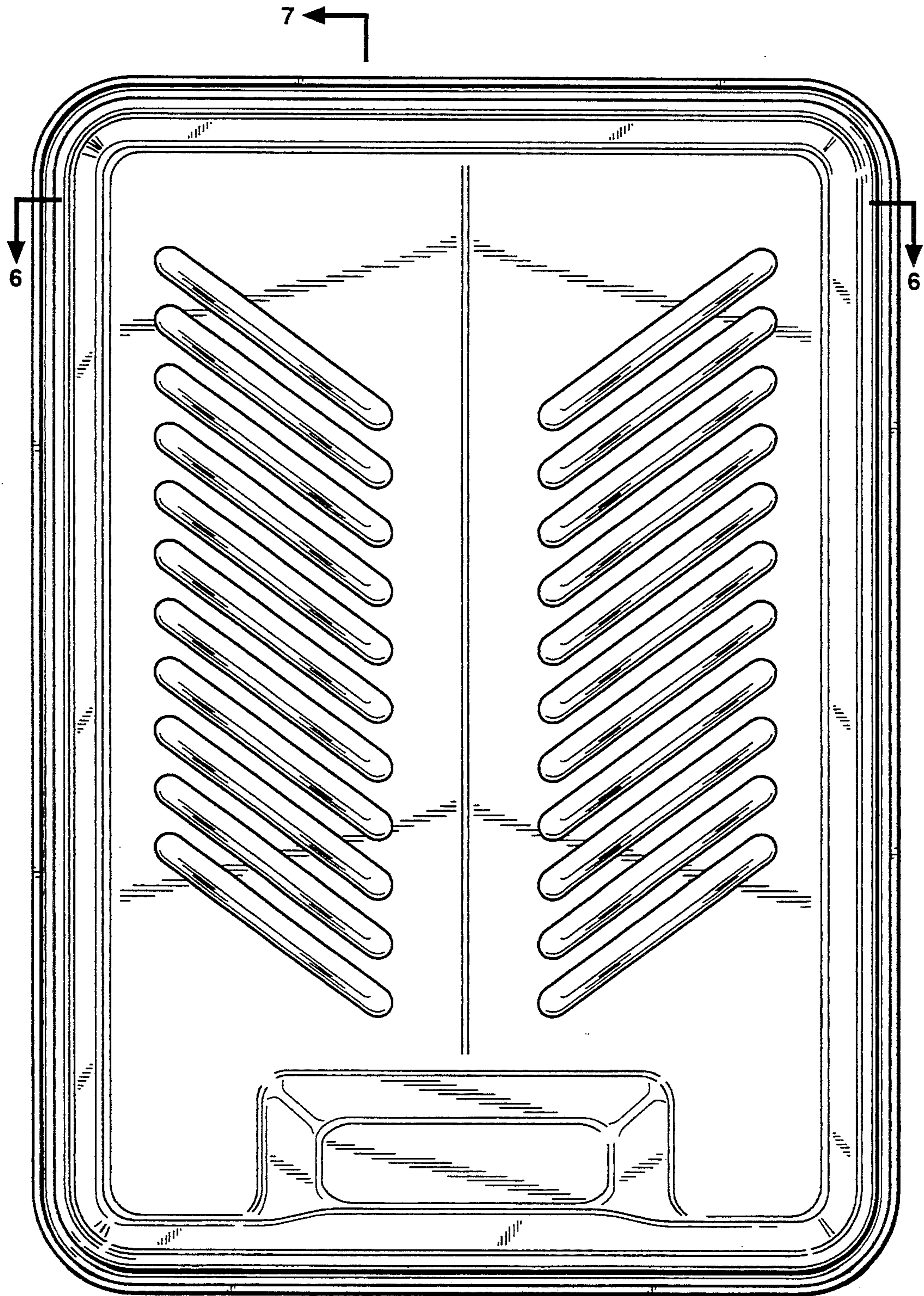


FIG. 3



7 ← **FIG. 4**

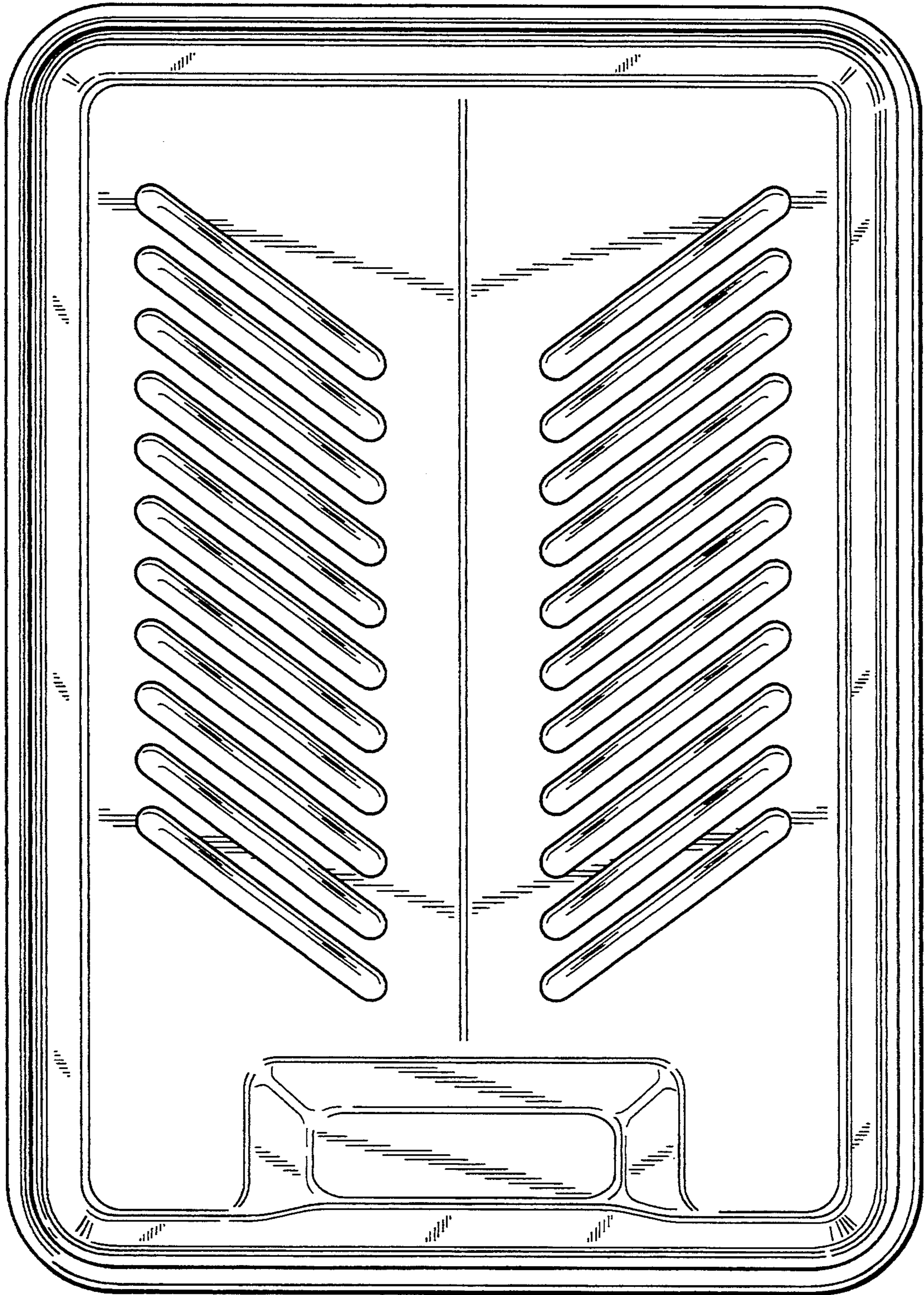


FIG. 5

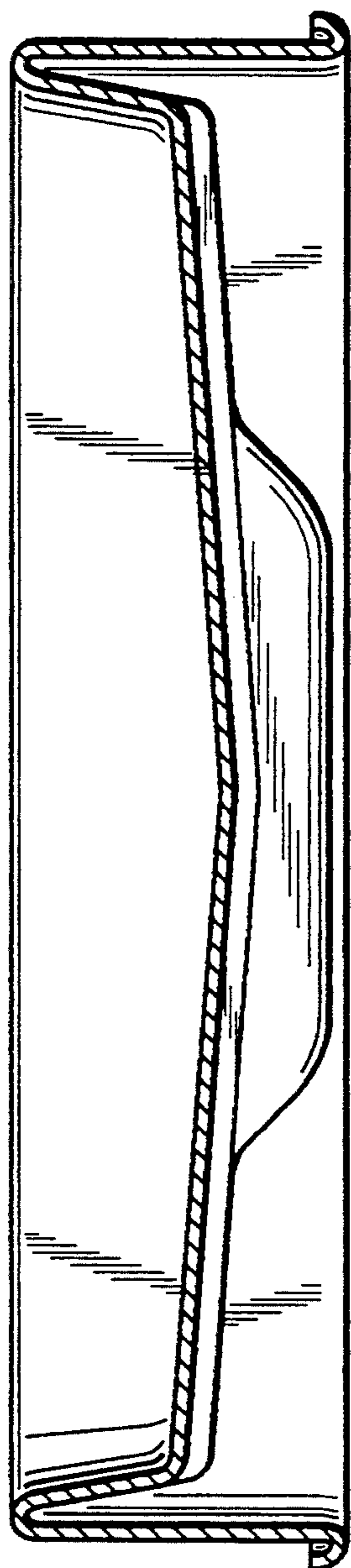


FIG. 6

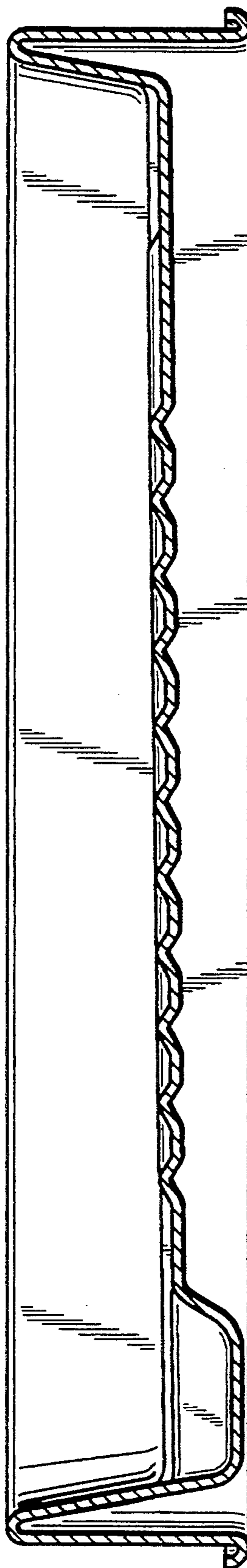


FIG. 7