



US00D359878S

United States Patent [19]

Chen

[11] Patent Number: **Des. 359,878**

[45] Date of Patent: **** Jul. 4, 1995**

[54] **COOKING POT**

3,808,963 5/1974 Ludena D7/356 X
4,702,160 10/1987 Manganese D7/354 X

[76] Inventor: **Yin-Tsang Chen**, 51. Lane 490.
Chung Cheng S. Road, Yung Kang
Hsiang, Tainan Hsien, Taiwan

Primary Examiner—Alan P. Douglas
Assistant Examiner—Caron D. Veynar
Attorney, Agent, or Firm—Jones, Tullar & Cooper

[**] Term: **14 Years**

[57] **CLAIM**

[21] Appl. No.: **9,200**

The ornamental design for a cooking pot, as shown.

[22] Filed: **Jun. 8, 1993**

DESCRIPTION

[52] U.S. Cl. **D7/354; D7/323;**
D7/360

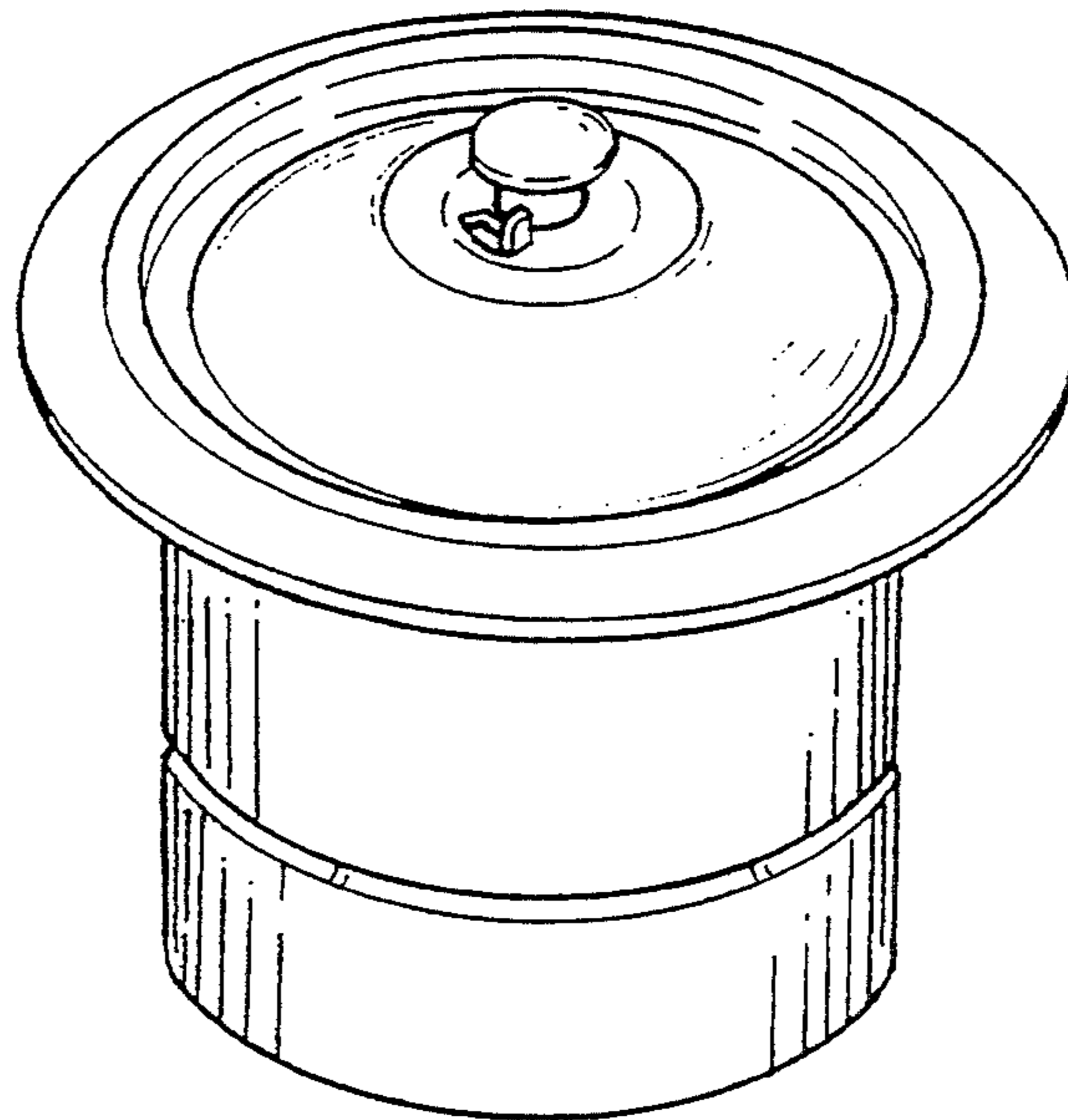
[58] **Field of Search** D7/323, 354, 358, 356,
D7/360; 99/324, 325, 339, 426, 425, 345;
220/912

FIG. 1 is a perspective view of a cooking pot showing my new design;
FIG. 2 is a front elevational view of the design;
FIG. 3 is a rear elevational view of the design;
FIG. 4 is a left side elevational view of the design, the right side elevational view being a mirror image;
FIG. 5 is a top plan view of the design;
FIG. 6 is a bottom plan view of the design; and,
FIG. 7 is a cross-sectional view taken along line 7—7 of FIG. 5.

[56] **References Cited**

U.S. PATENT DOCUMENTS

D. 110,506 7/1938 Vits D7/358
D. 130,253 11/1941 Pearce D7/360



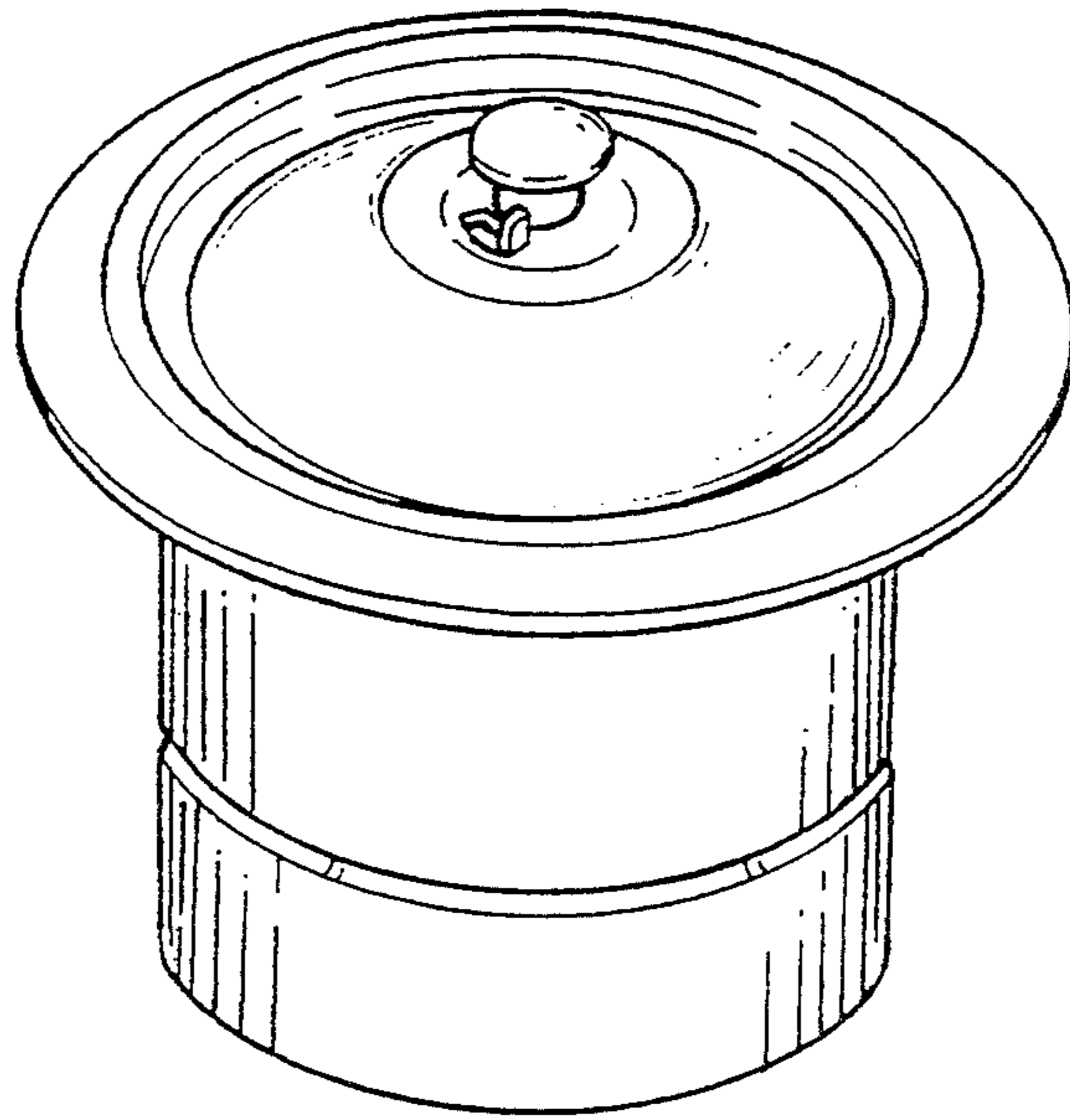


FIG. 1

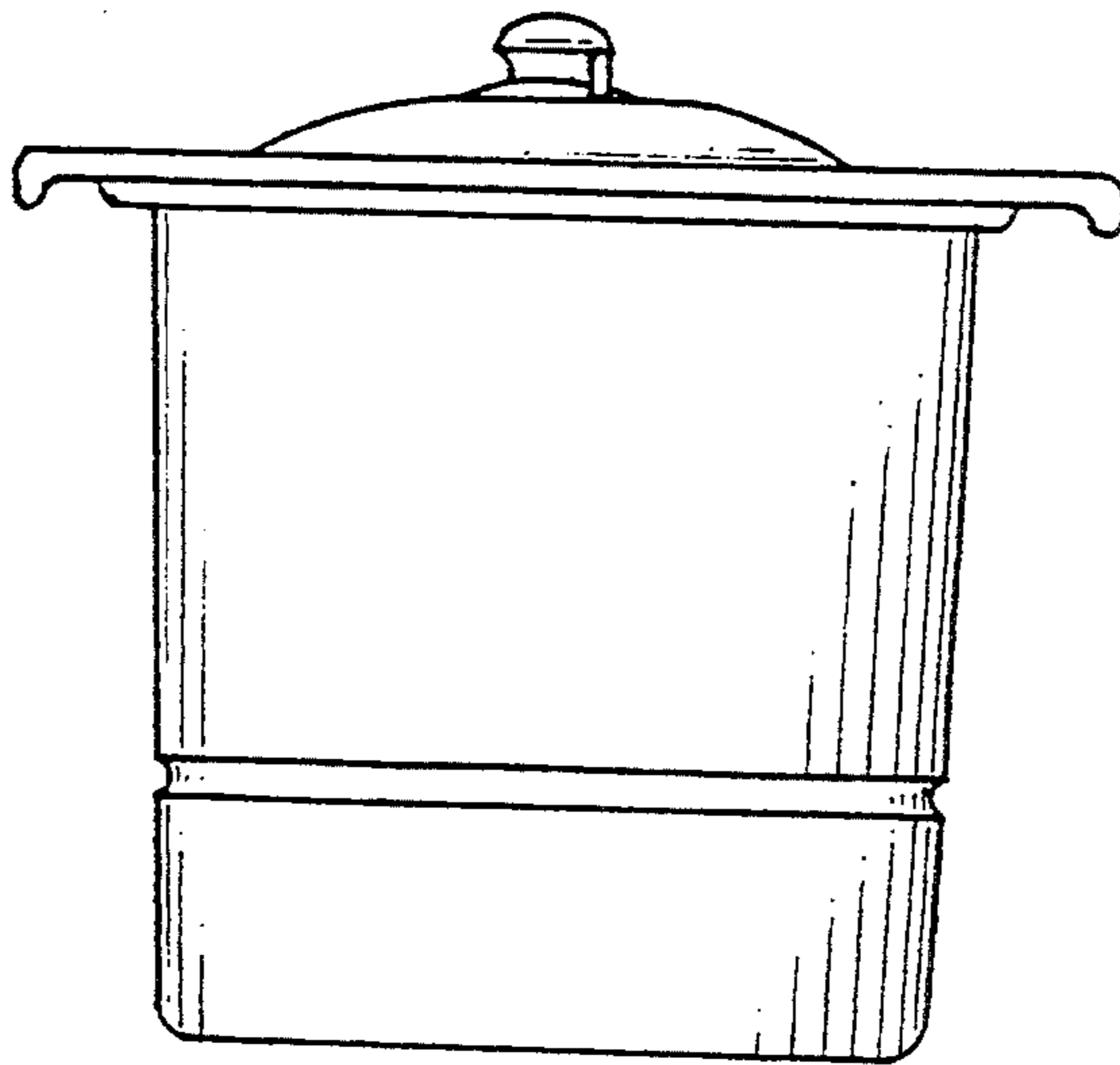


FIG. 2

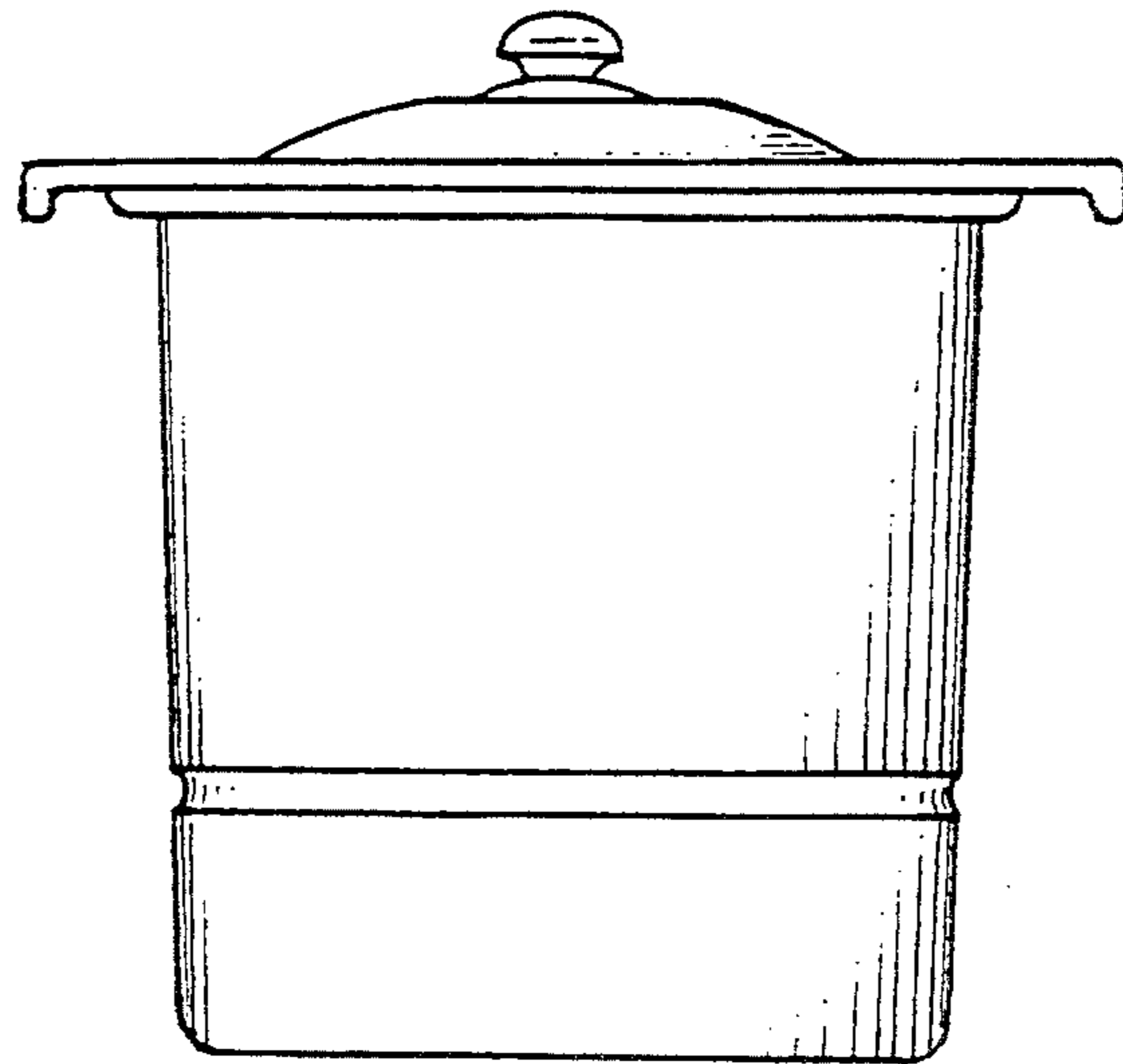


FIG. 3

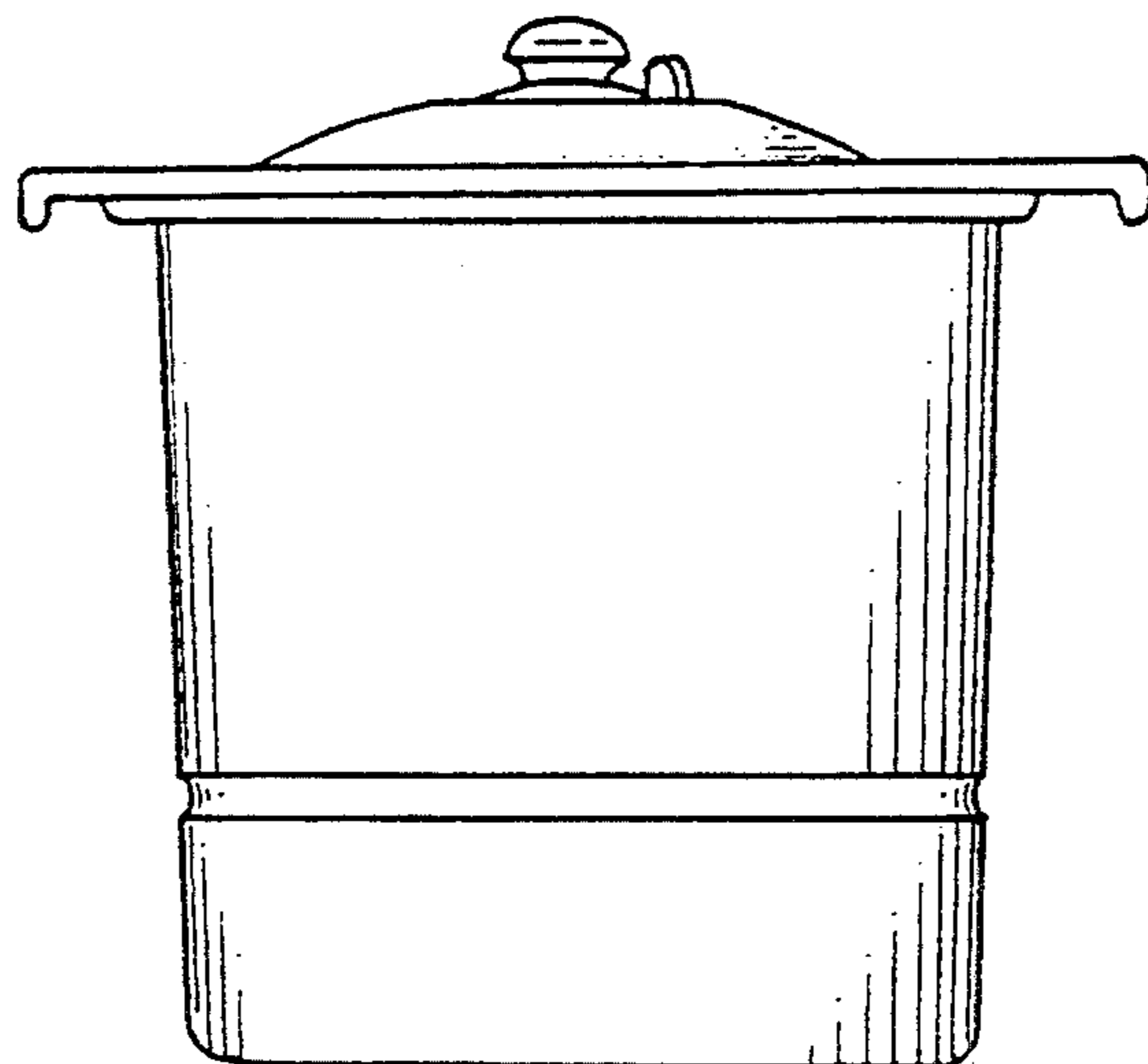


FIG. 4

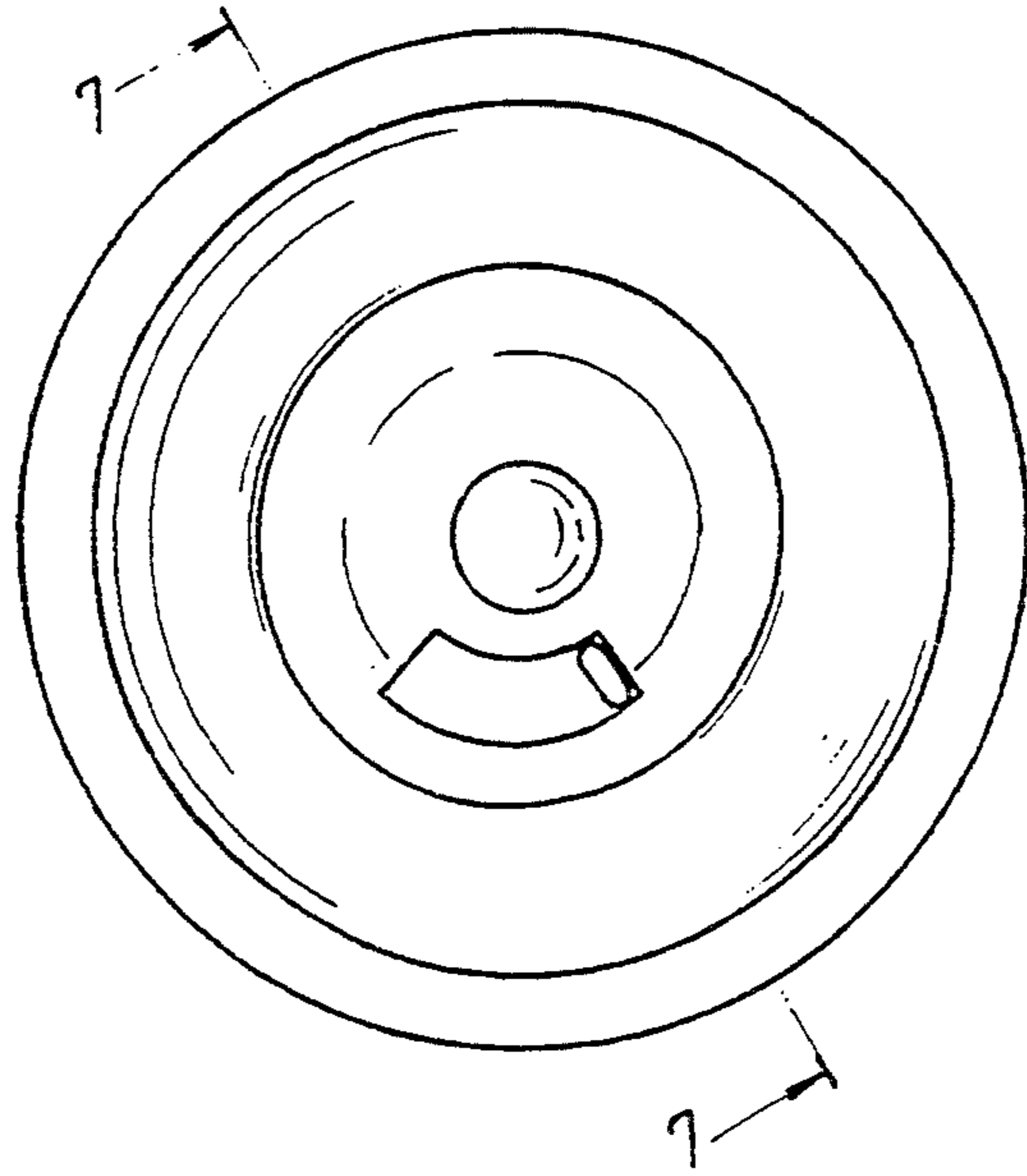


FIG. 5

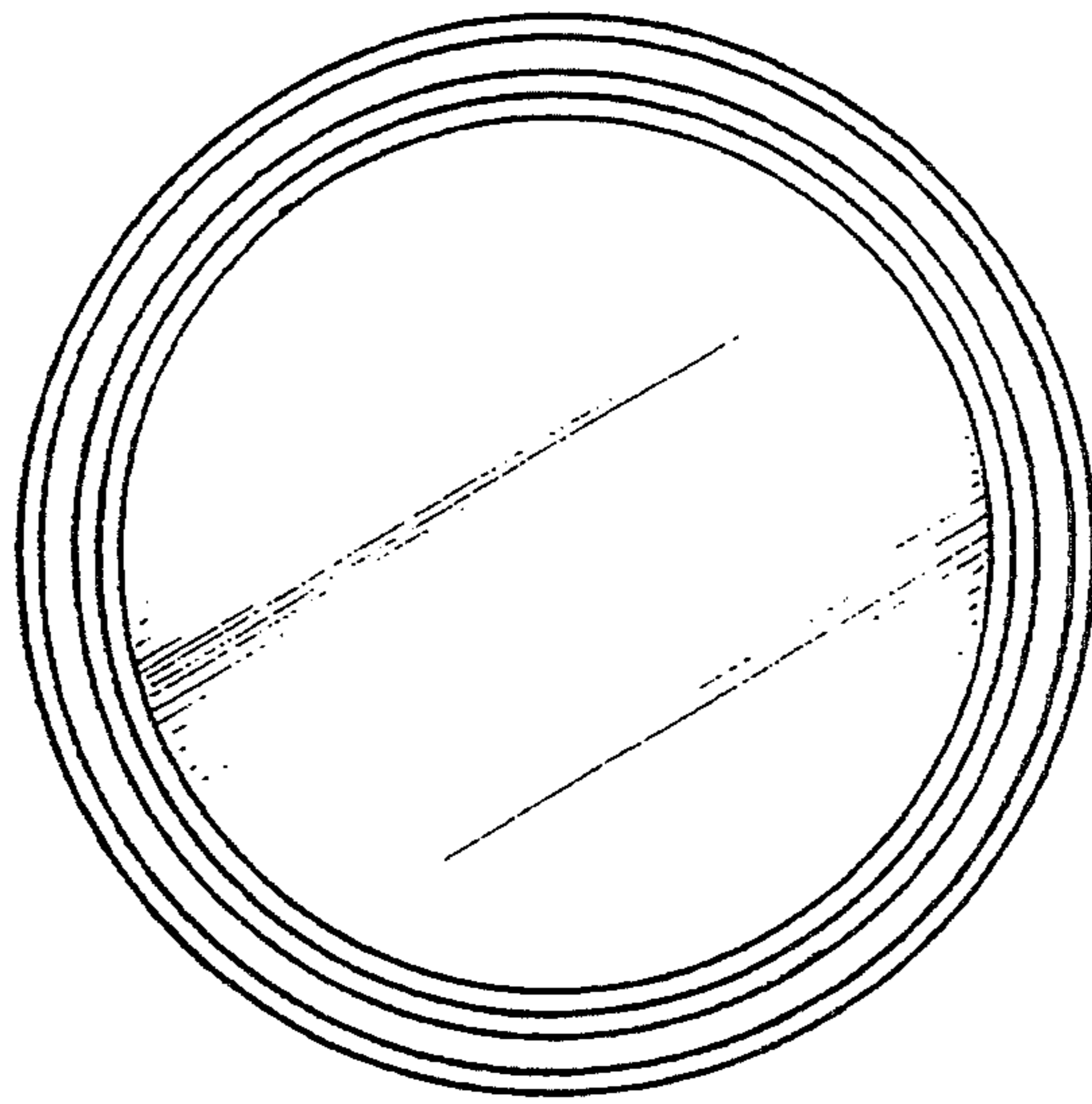


FIG. 6

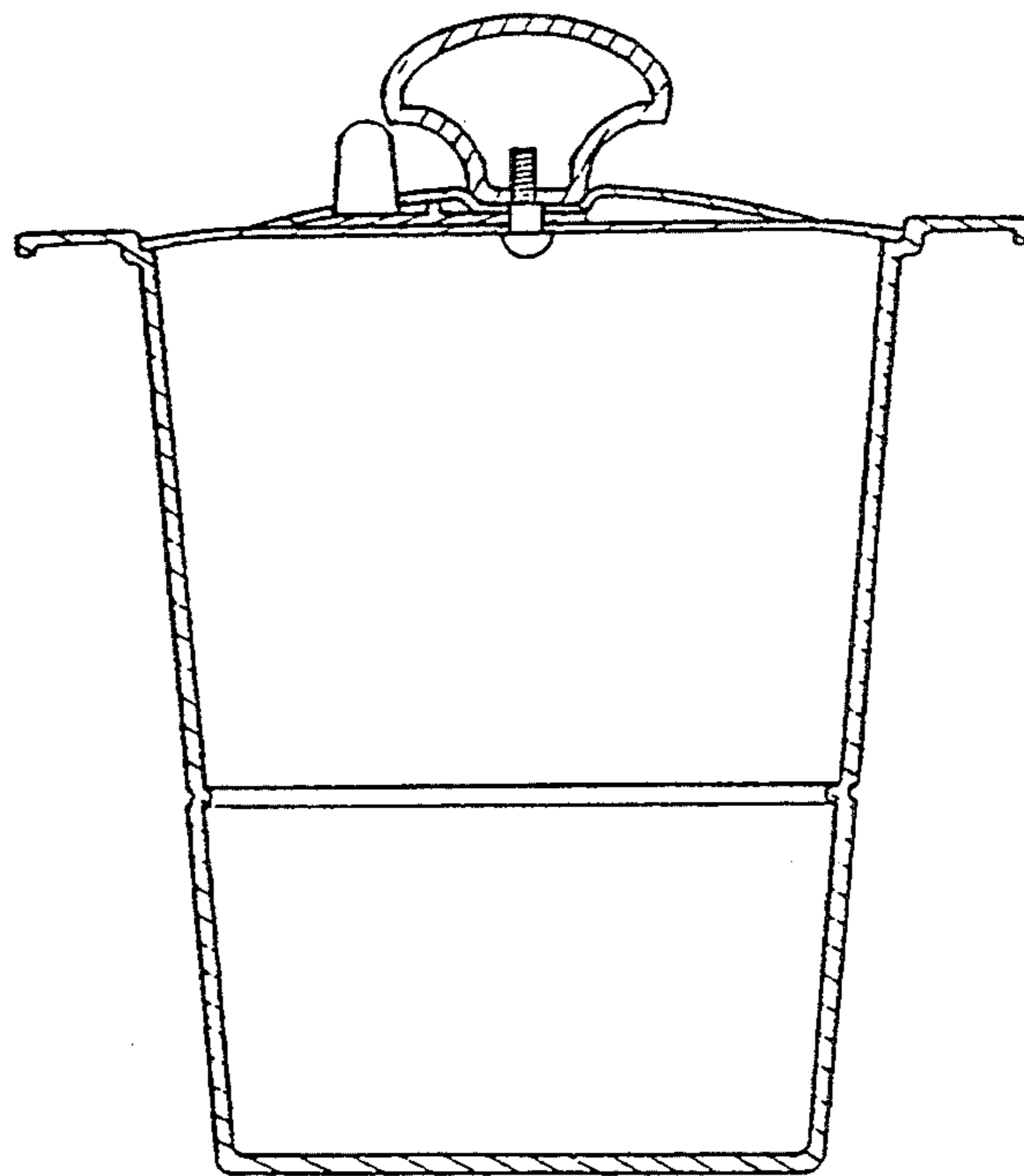


FIG. 7