



US00D359877S

United States Patent [19]

[11] Patent Number: **Des. 359,877**

Koziol

[45] Date of Patent: **** Jul. 4, 1995**

[54] **BARBECUE GRILL**

- [75] Inventor: **Walter Koziol**, Antioch, Ill.
- [73] Assignee: **Modern Home Products Corp.**, Antioch, Ill.
- [**] Term: **14 Years**
- [21] Appl. No.: **831,387**
- [22] Filed: **Feb. 6, 1992**

Charmglow Products Advertisement showing Model 8260, undated, admitted prior art.
 Preway Advertisement showing Models GF540-EIV, undated, admitted prior art.
 Preway Advertisement showing Models GF540-330-EIV, GF540-330-EI, and GF430-329-EI, undated, admitted prior art.
 Two page Preway Industries Advertisement showing

(List continued on next page.)

Related U.S. Application Data

- [63] Continuation-in-part of Ser. No. 566,287, Aug. 13, 1990, Pat. No. Des. 326,207.
- [52] U.S. Cl. **D7/332**
- [58] Field of Search **D7/332, 334-338, D7/402; 126/25 R, 25 A, 25 AA, 25 B, 29-30, 9 R, 9 B, 38, 37; 99/419**

Primary Examiner—Ruth McInroy
Attorney, Agent, or Firm—Quarles & Brady

[57] **CLAIM**

The ornamental design for a barbecue grill, as shown and described.

DESCRIPTION

[56] **References Cited**

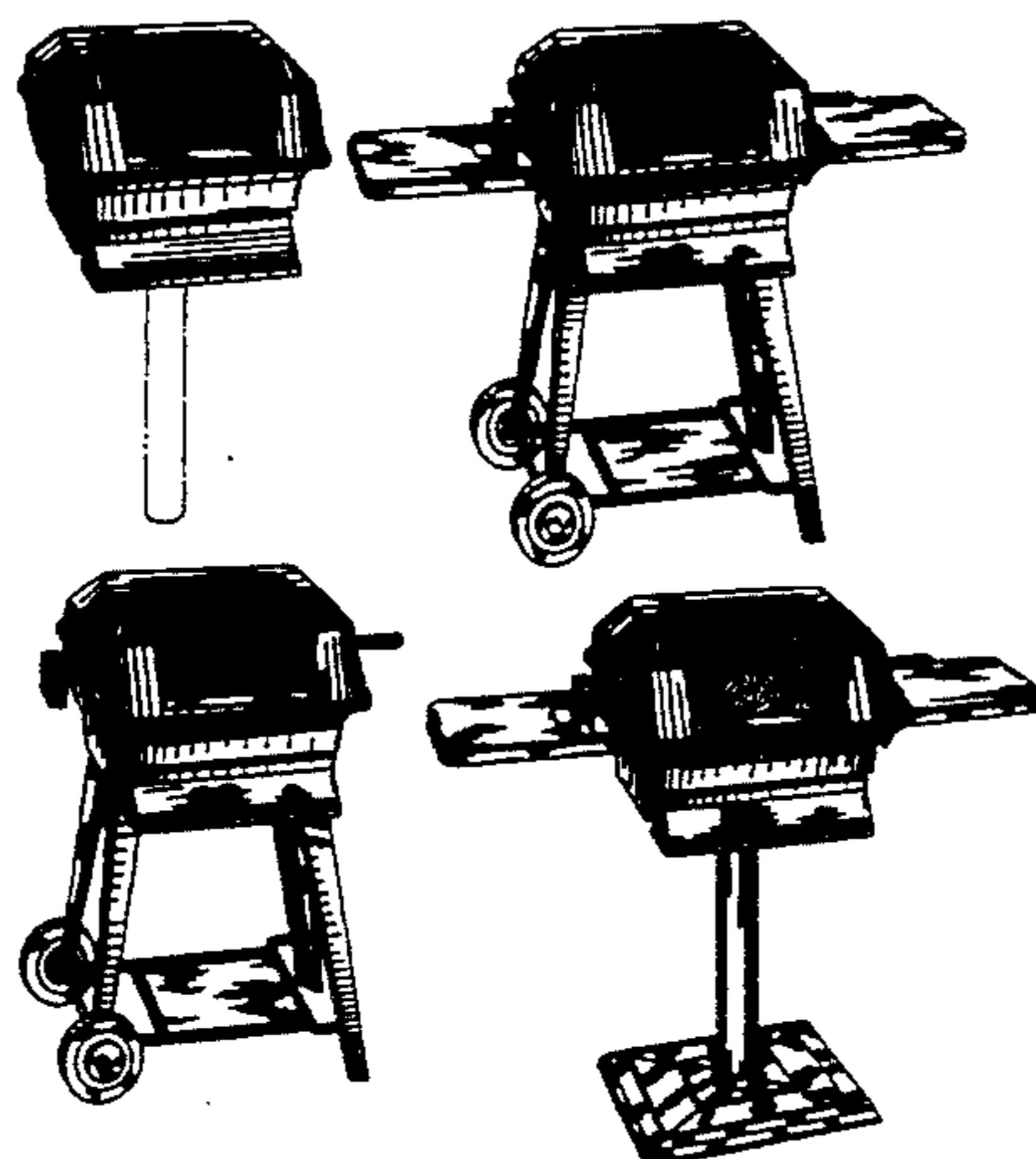
U.S. PATENT DOCUMENTS

D. 208,681	9/1967	Koziol	81/10
D. 213,533	3/1969	Koziol	81/10
D. 214,707	7/1969	Koziol	81/10
D. 217,580	5/1970	Koziol	81/10
D. 219,629	12/1970	Koziol	D7/334
D. 226,540	3/1973	Dushek	D7/334
D. 231,070	4/1974	Koziol	D7/332
D. 260,348	8/1981	Laison	D7/335
D. 287,214	12/1986	Koziol	D7/332
D. 287,215	12/1986	Koziol	D7/332
D. 293,067	12/1987	Stephen et al.	D7/334
3,556,078	2/1971	McGaughey	126/25 R
4,476,849	10/1984	Schmidt	126/25 R
4,924,846	5/1990	Peacock et al.	126/41 R
4,949,701	8/1990	Krosp et al.	126/9 R
5,033,449	7/1991	Hanagan	126/25 A

OTHER PUBLICATIONS

Pp. 4-6 and 8-13 of W. C. Bradley 1989 brochure entitled "Series 5000, 6000, 7000, 8000 and 9000".
 Pp. 2-6 of a 1987 Thermos brochure entitled "STRUCTO" and THERMOS GAS GRILLS.
 Charmglow Products Advertisement showing Model 7240, undated, admitted prior art.
 Charmglow Products Advertisement showing Model 7230, undated, admitted prior art.

FIG. 1 is a front perspective view of a barbecue grill showing my new design;
 FIG. 2 is a right side elevational view thereof, the left side being a mirror image;
 FIG. 3 is a rear elevational view thereof;
 FIG. 4 is a top plan view thereof;
 FIG. 5 is a front perspective view of a second embodiment of a barbecue grill;
 FIG. 6 is a rear elevational view thereof;
 FIG. 7 is a top plan view thereof;
 FIG. 8 is a right side elevational view thereof;
 FIG. 9 is a left side elevational view thereof;
 FIG. 10 is a front perspective view of a third embodiment of a barbecue grill;
 FIG. 11 is a right side elevational view thereof;
 FIG. 12 is a left side elevational view thereof;
 FIG. 13 is a rear elevational view thereof;
 FIG. 14 is a top plan view thereof;
 FIG. 15 is a front perspective view of a fourth embodiment of a barbecue grill;
 FIG. 16 is a right side elevational view thereof;
 FIG. 17 is a left side elevational view thereof;
 FIG. 18 is a rear elevational view thereof; and,
 FIG. 19 is a top plan view thereof.
 The broken line showing of a post in FIGS. 1, 2 and 3 is for illustrative purpose only and forms no part of the claimed design.



OTHER PUBLICATIONS

several models of grills in the "GB" series, undated, admitted prior art.

Two page Preway Industries Advertisement showing several models of grills in the "G", GR, and GRB series, undated, admitted prior art.

Two page Preway Industries Advertisement showing

several models of grills in the "GRB", G, and GR series, undated, admitted prior art.

Eight pages of a Preway brochure showing several "Arklamatic" gas grills models in the G series, undated, admitted prior art.

Charmglow Products 1987 ad showing Model 950B.

Charmglow Products 1987 Ad showing Model 538X.

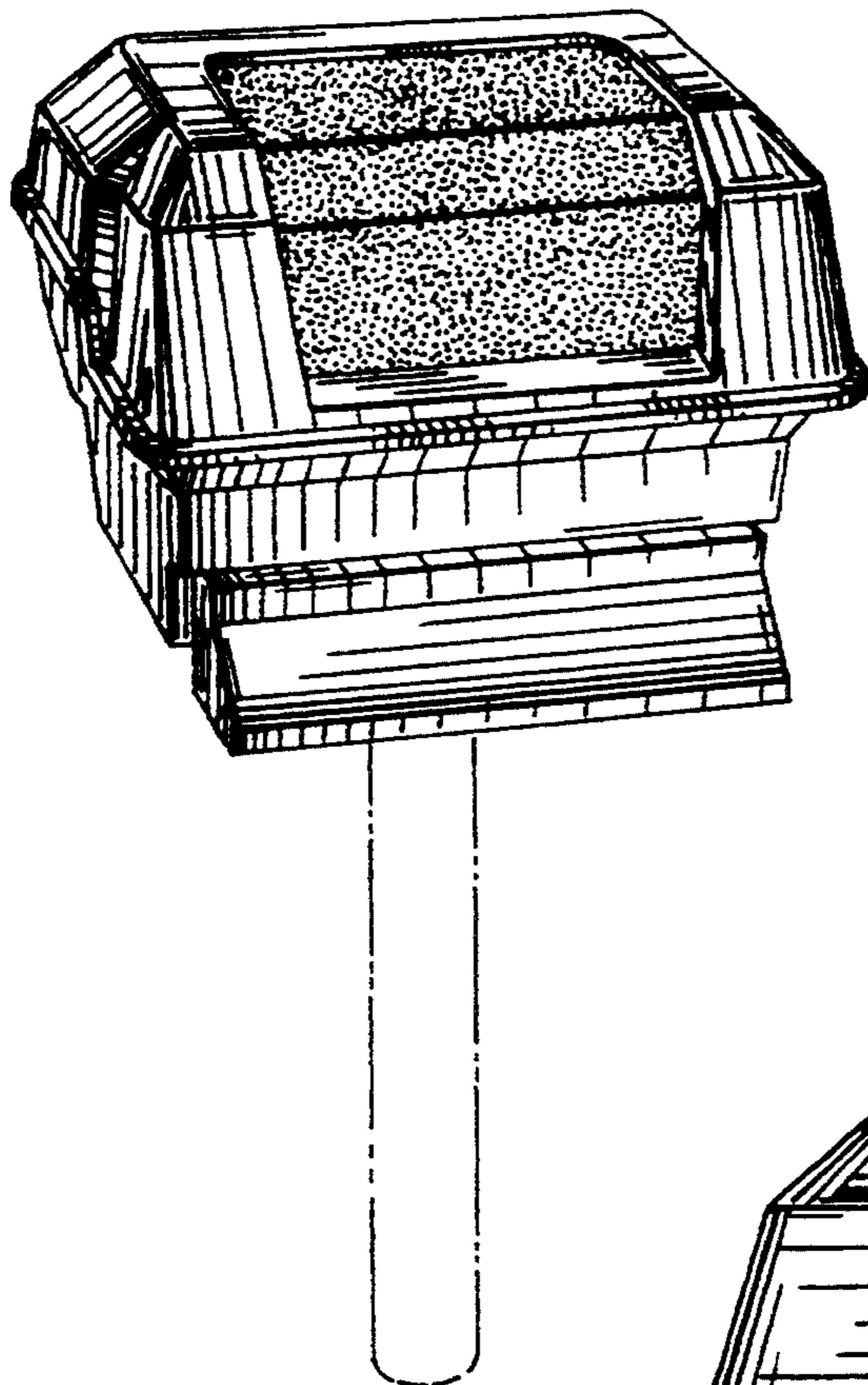


FIG. 1.

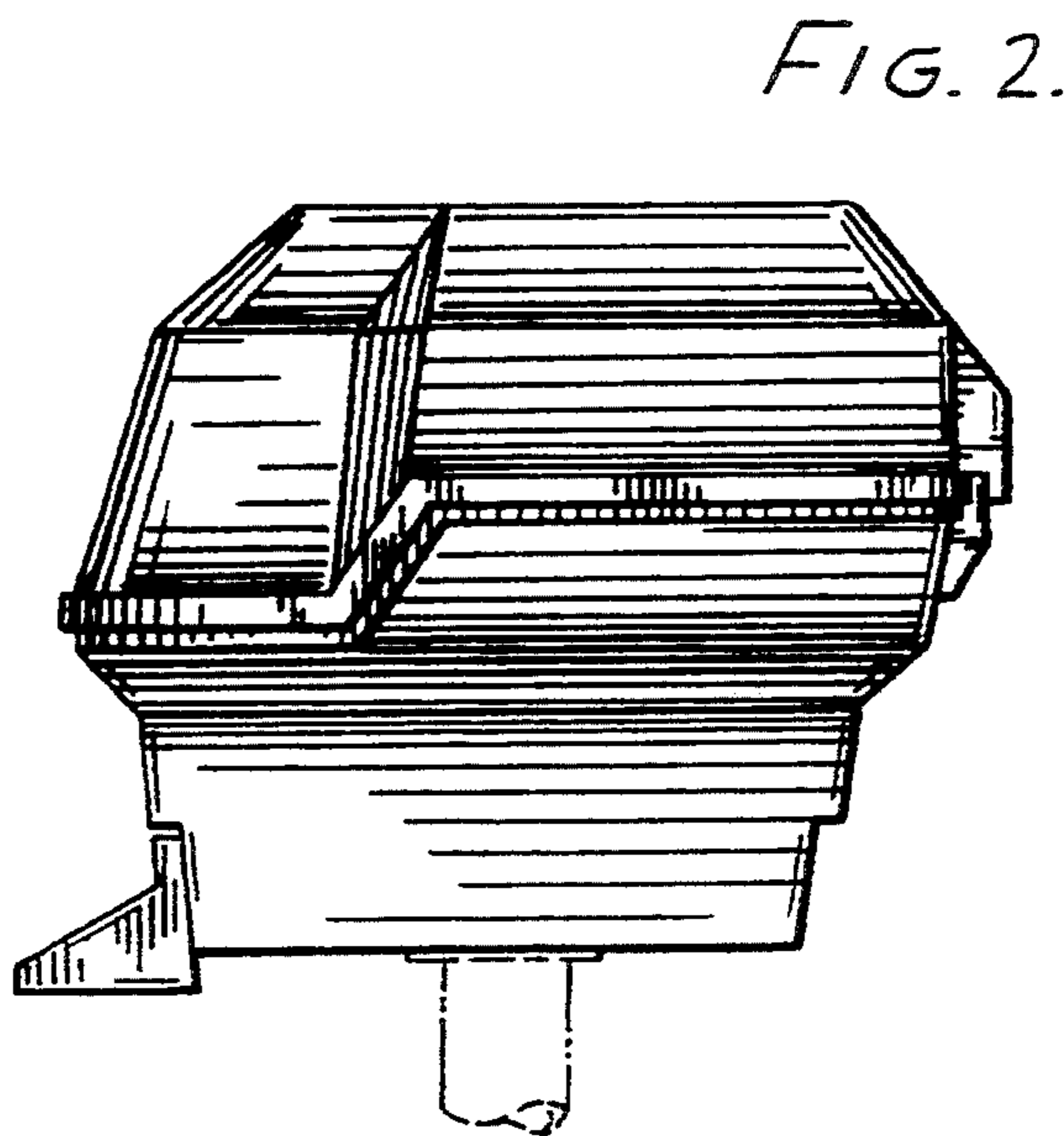


FIG. 2.

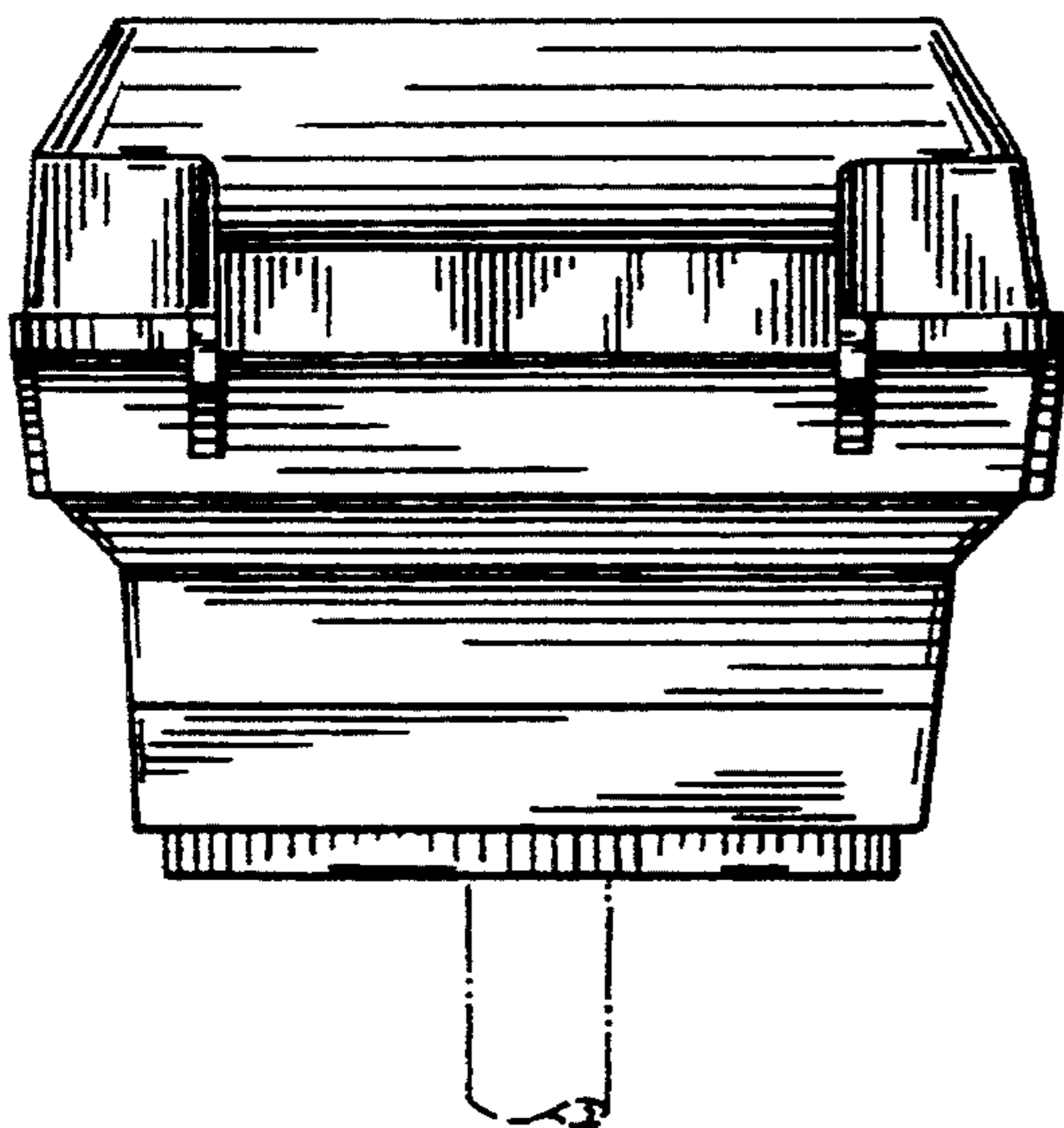


FIG. 3.

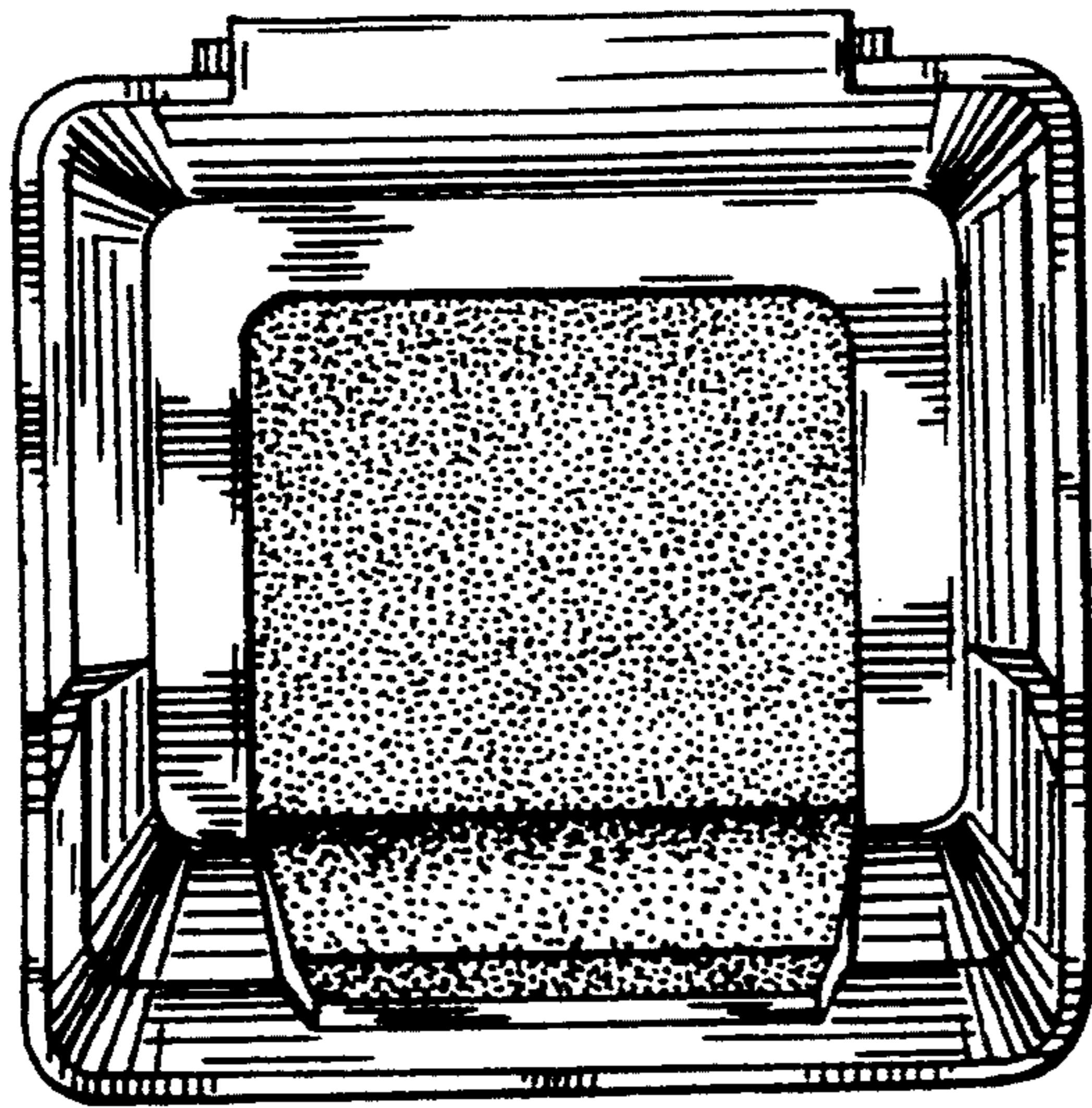


FIG. 4.

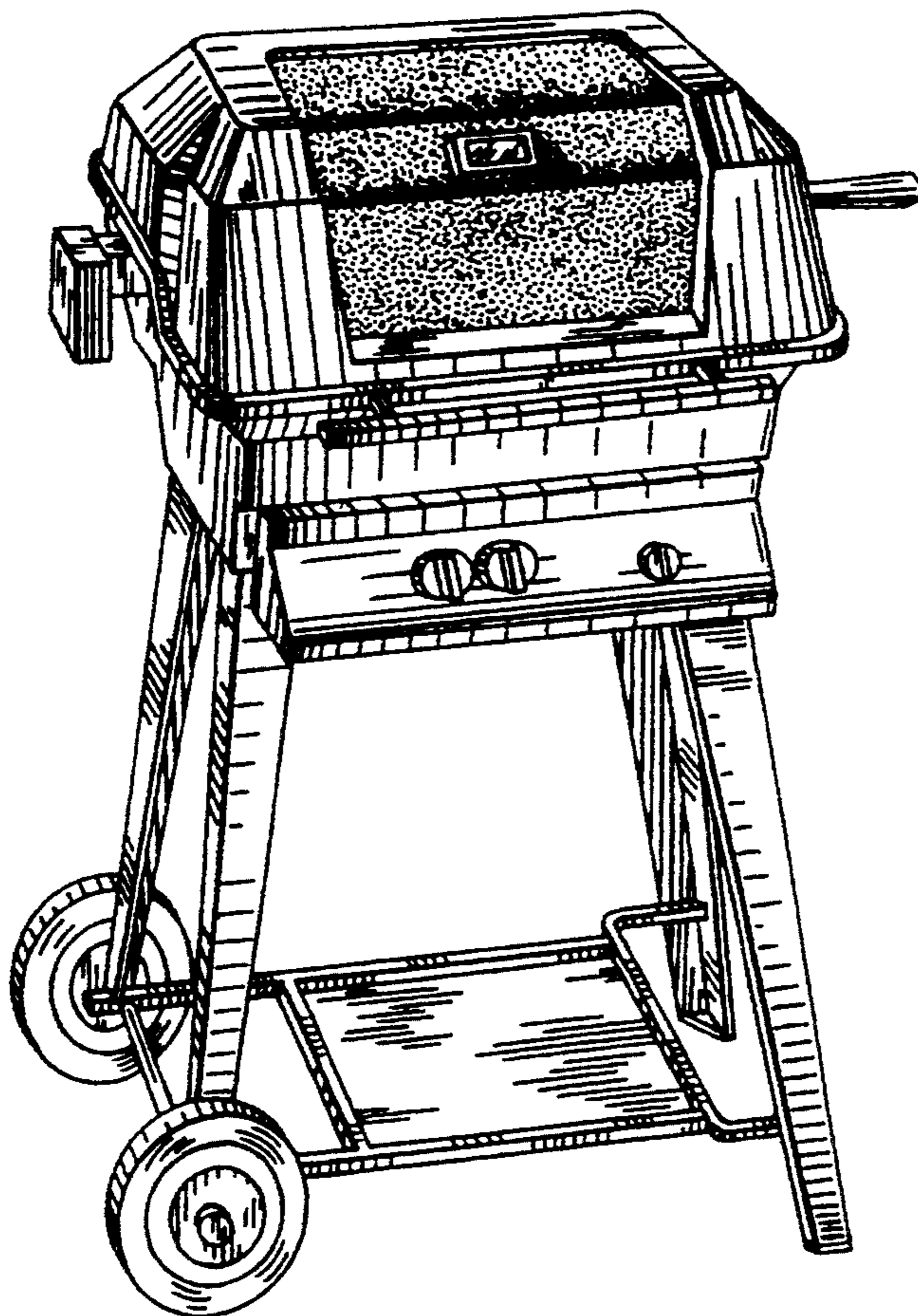


FIG. 5.

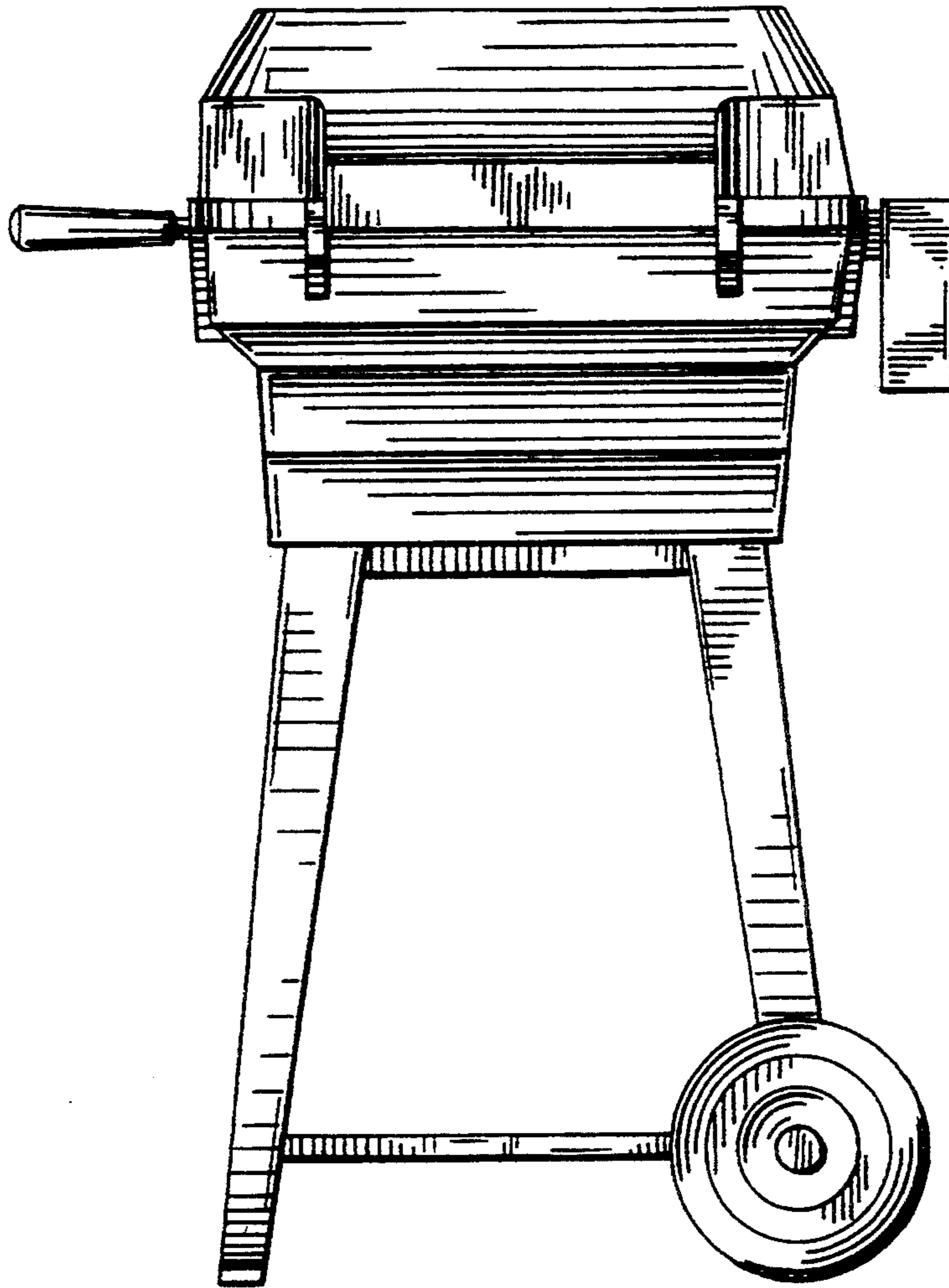


FIG. 6.

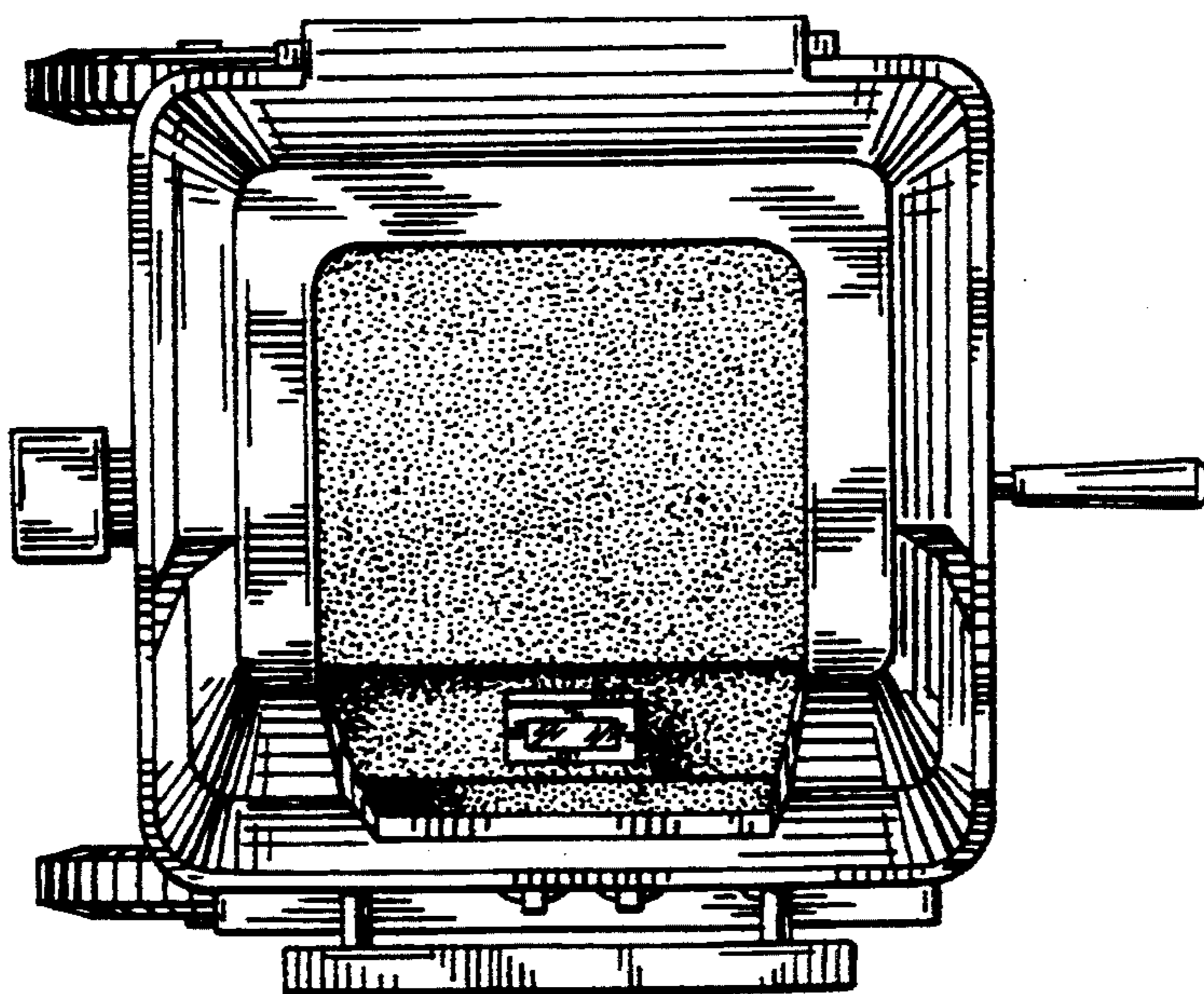


FIG. 7.

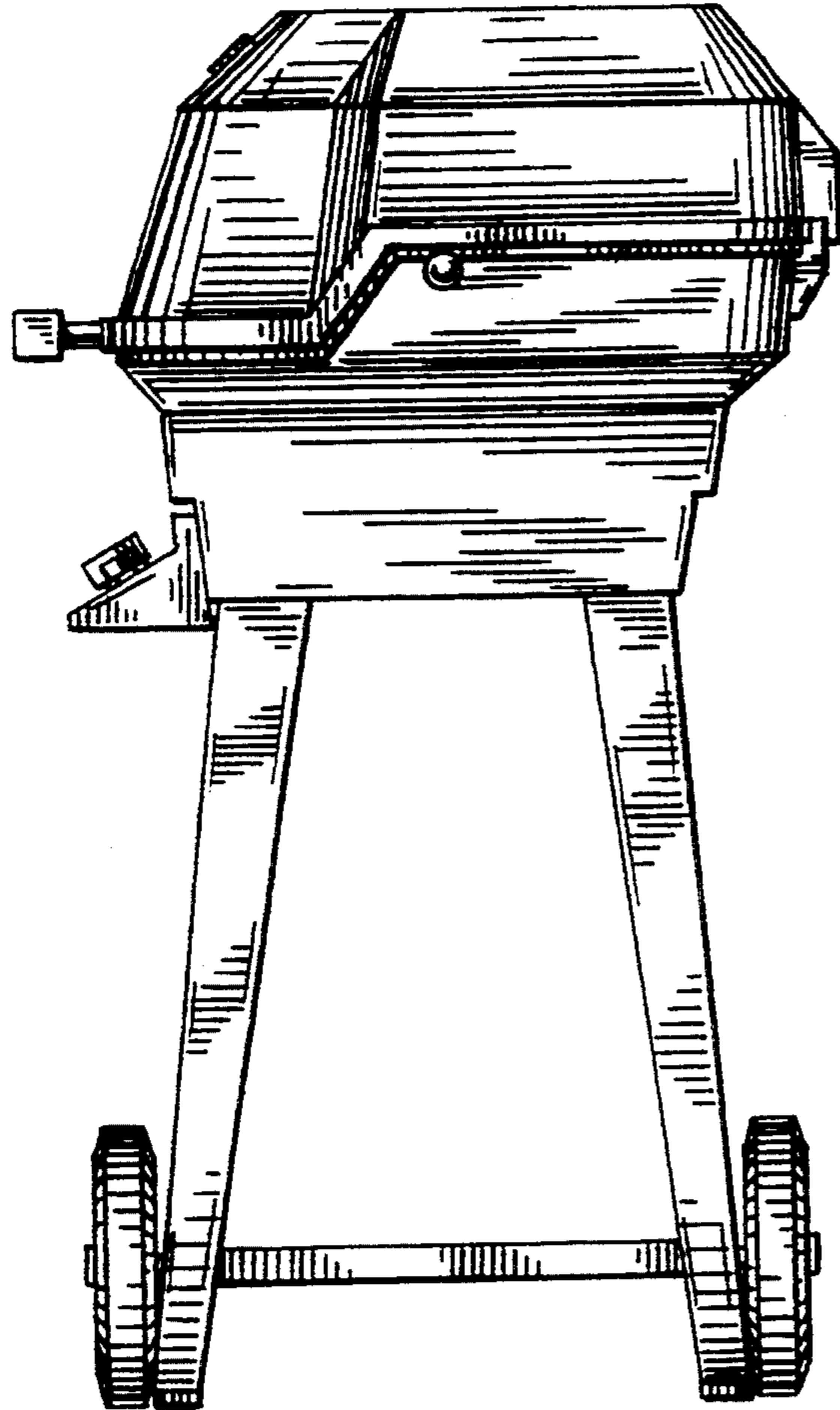


FIG. 8.

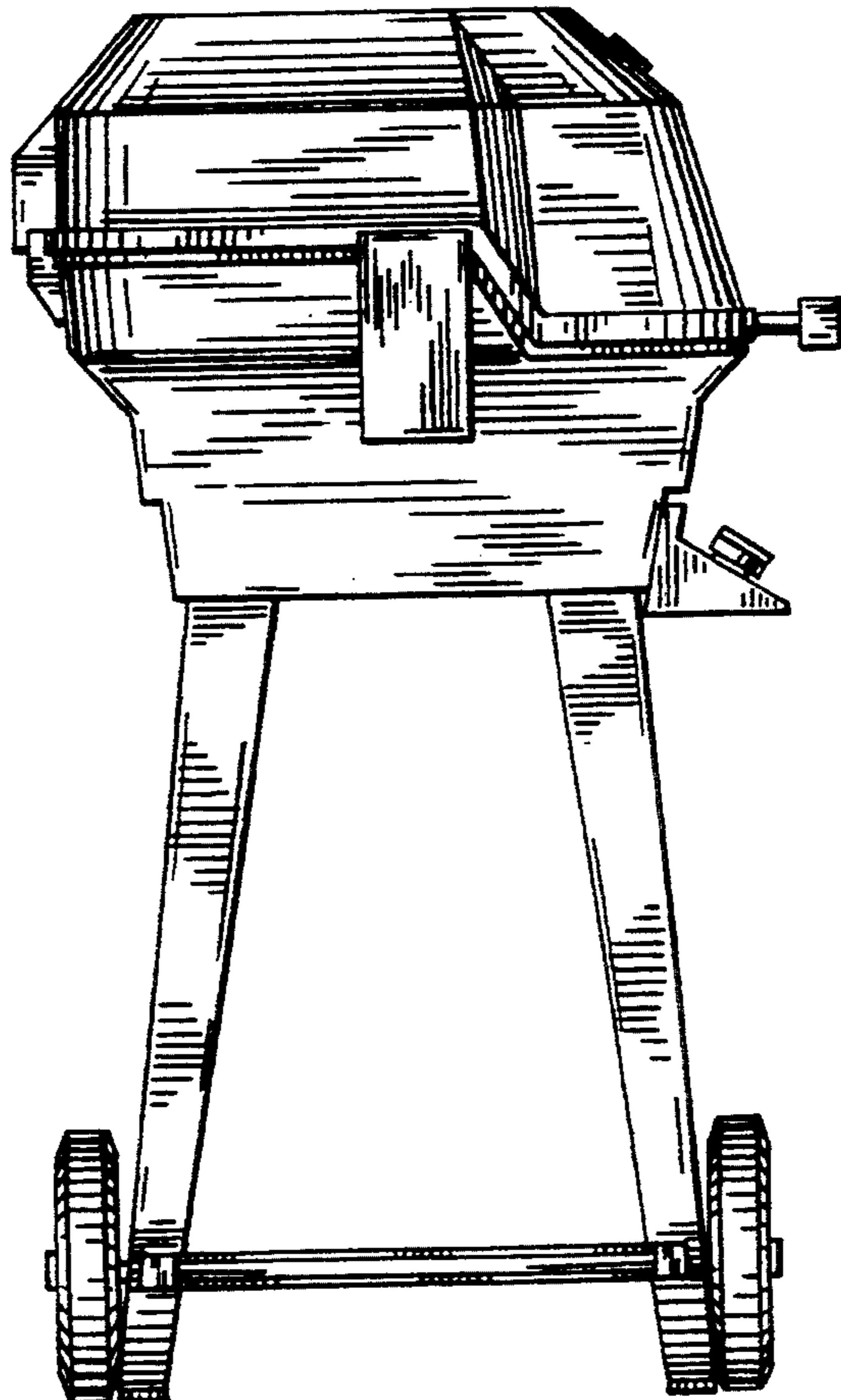


FIG. 9.

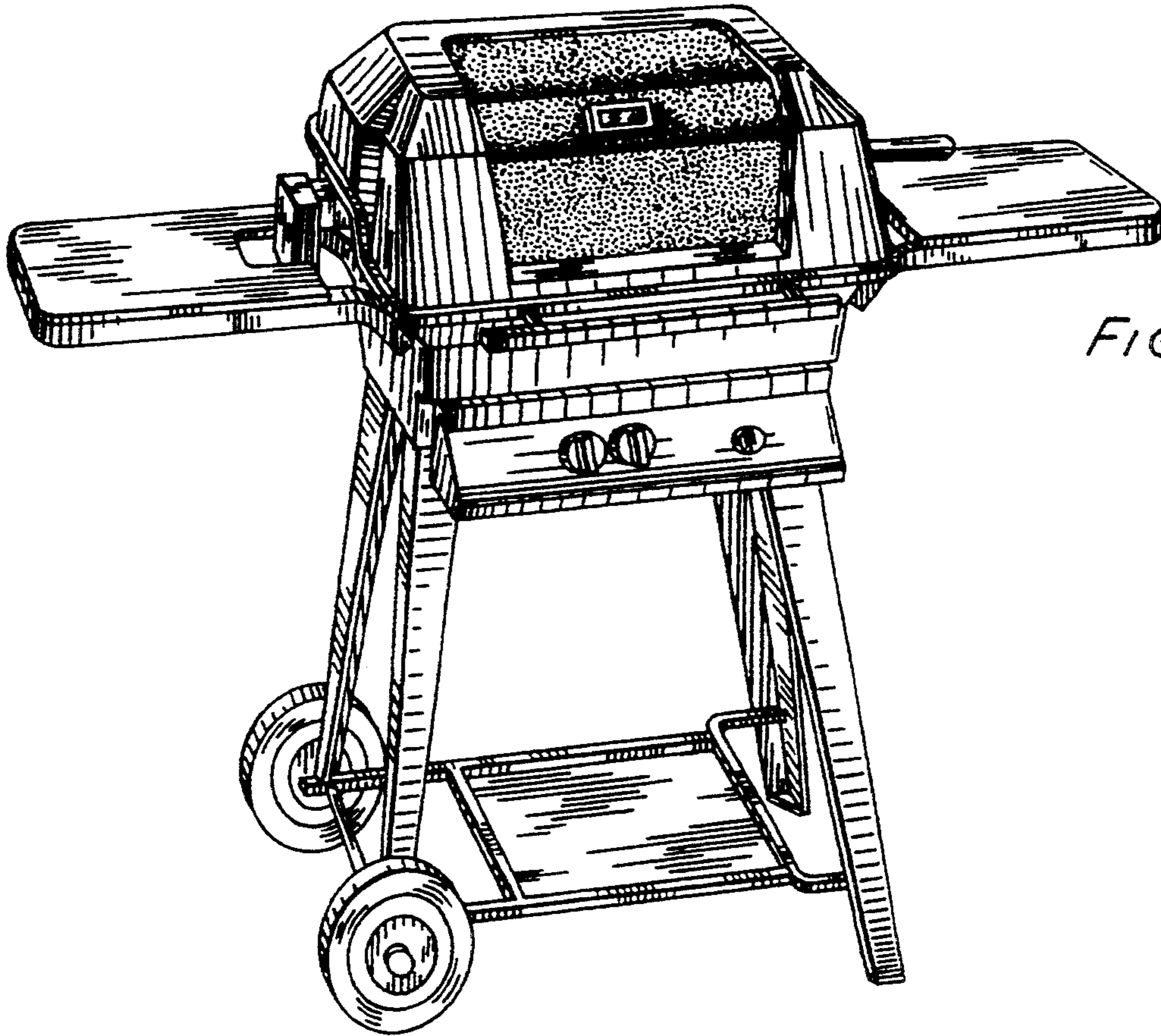


FIG. 10.

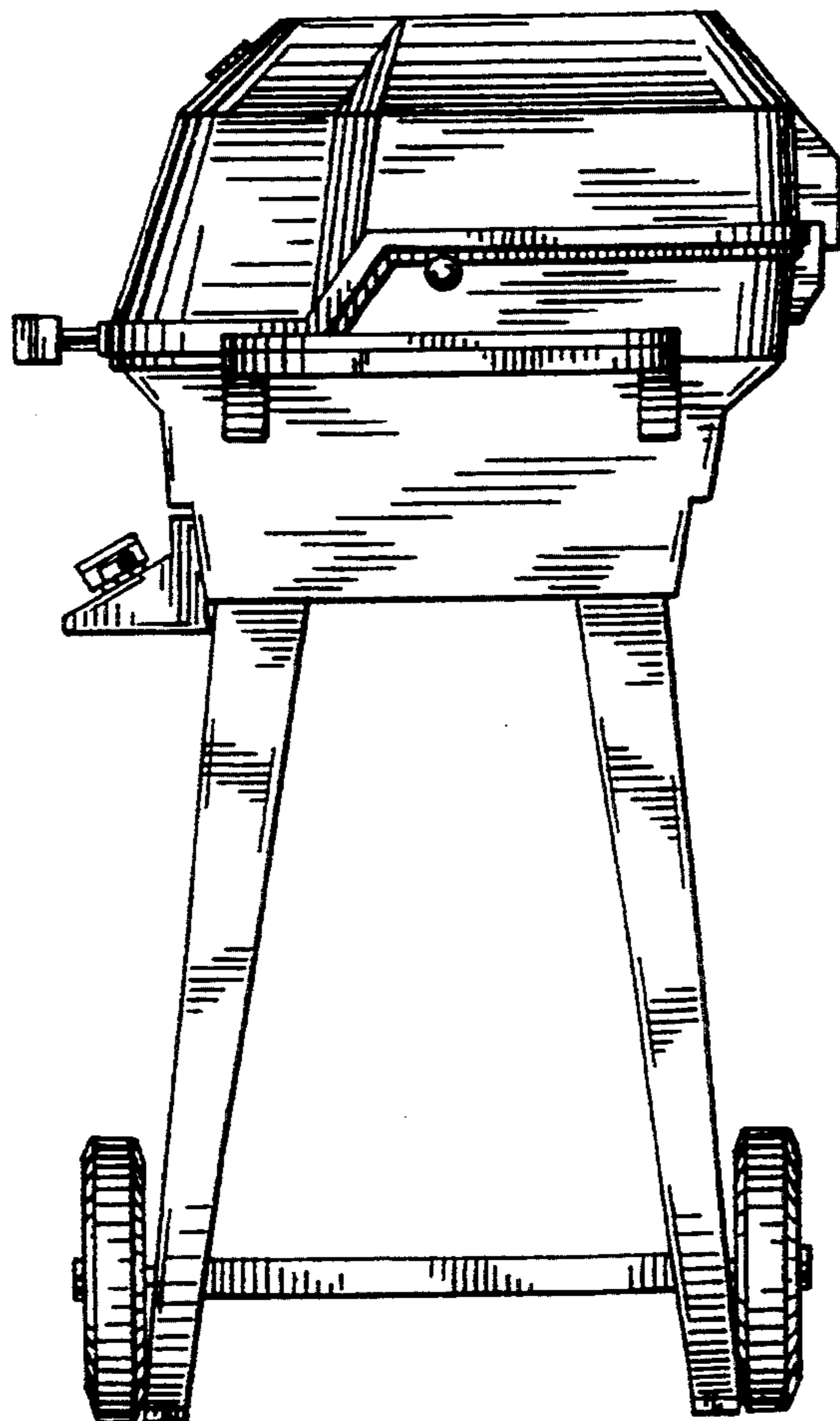


FIG. 11.

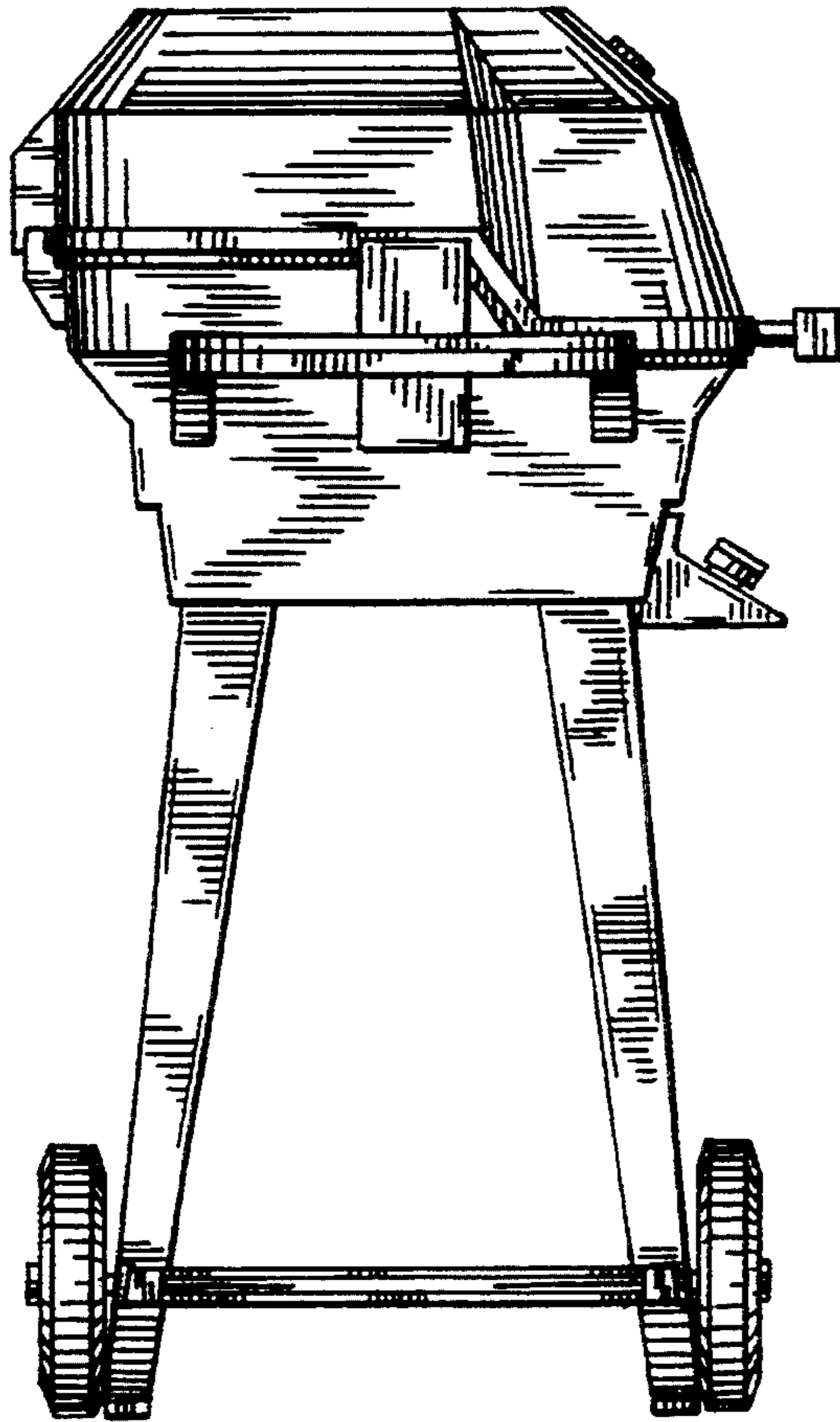


FIG. 12.

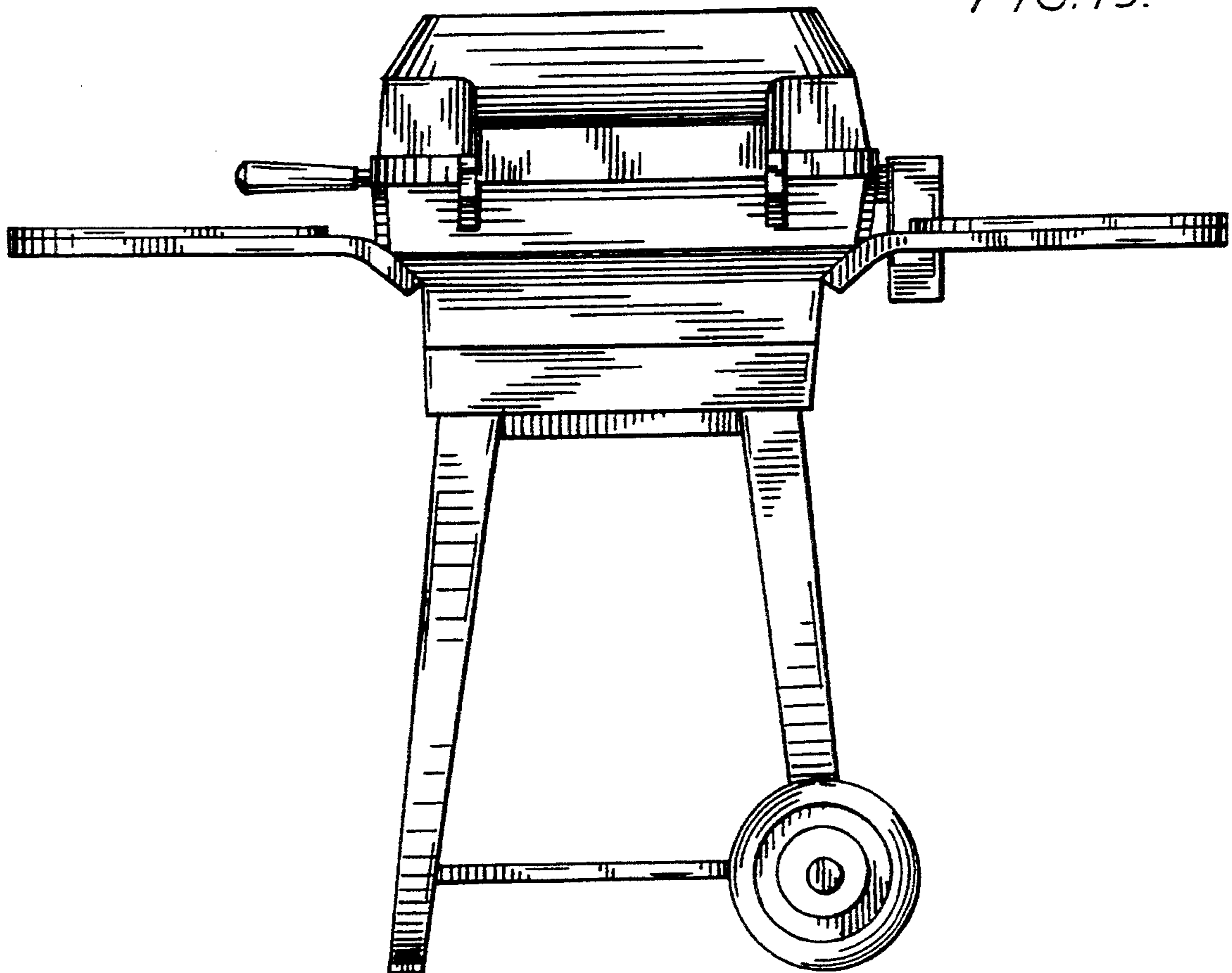


FIG. 13.

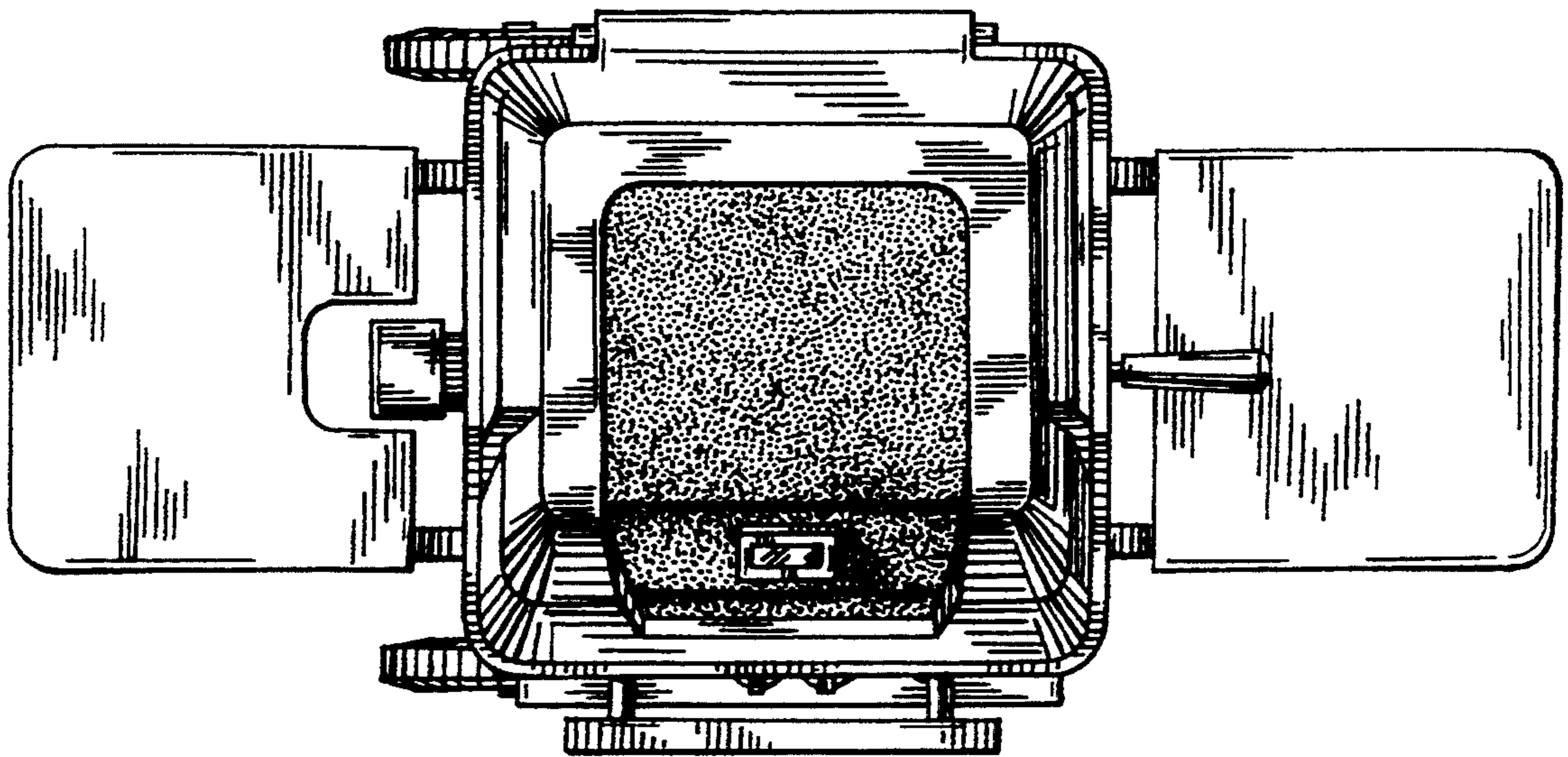


FIG. 14.

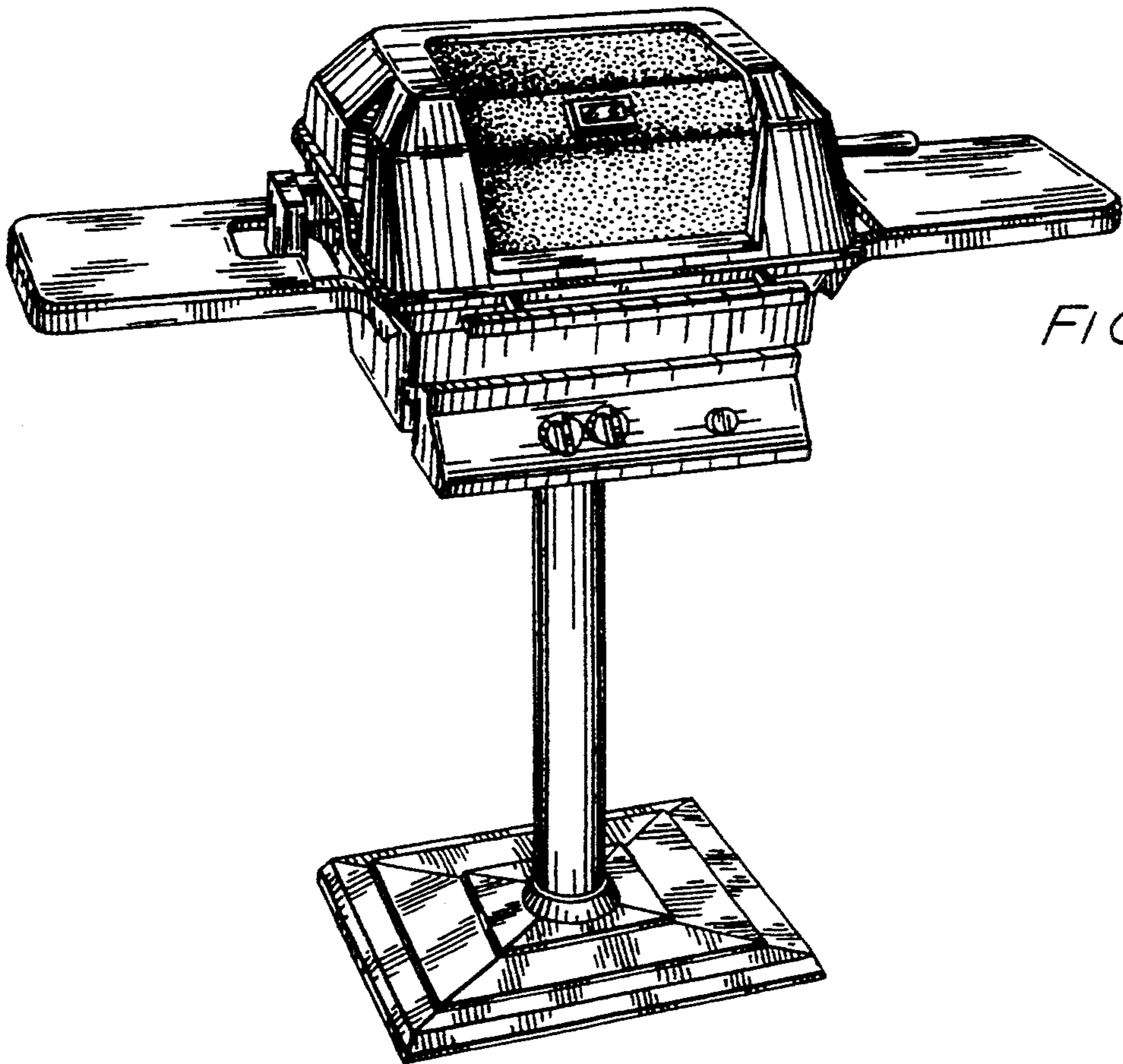


FIG. 15.

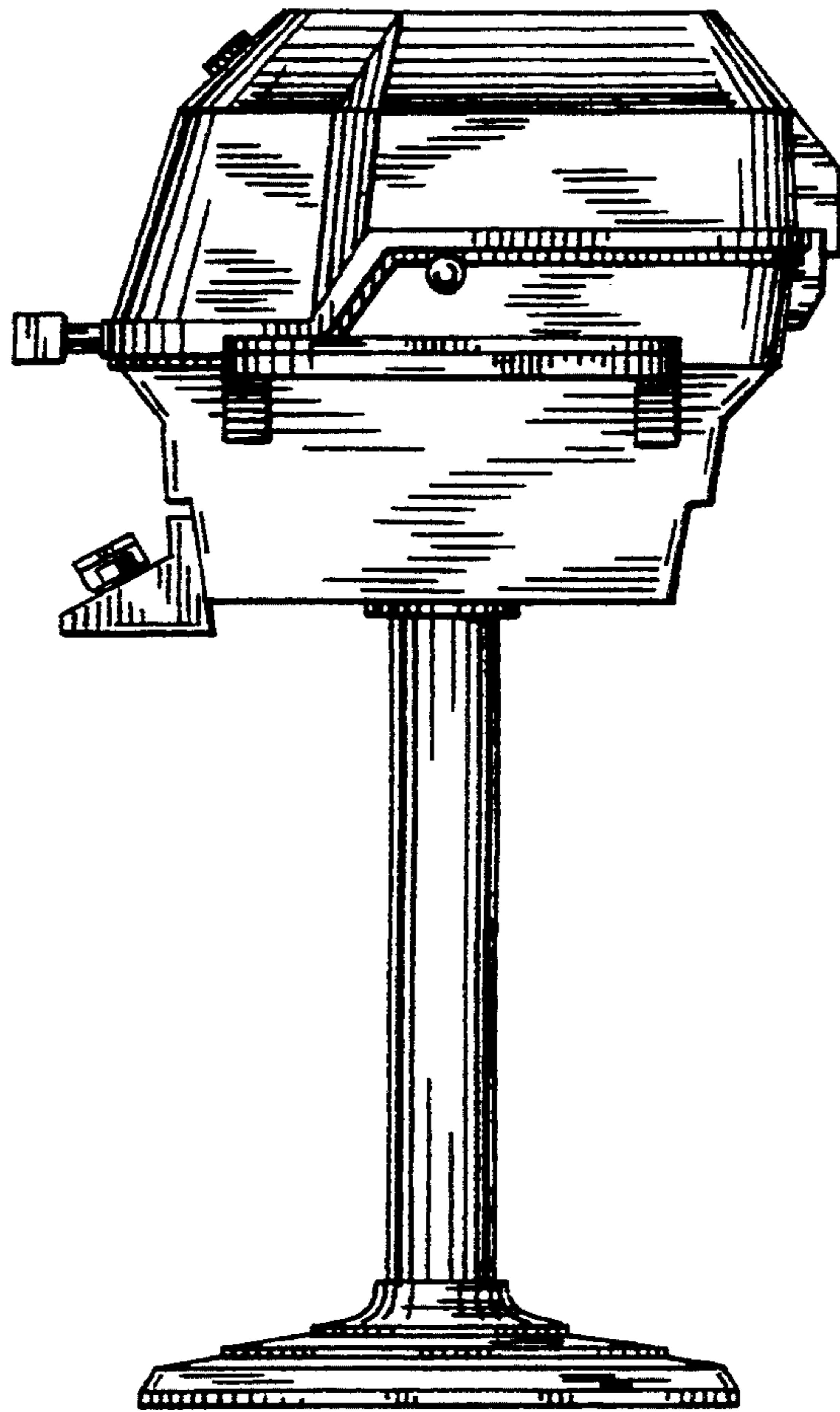


FIG. 16.

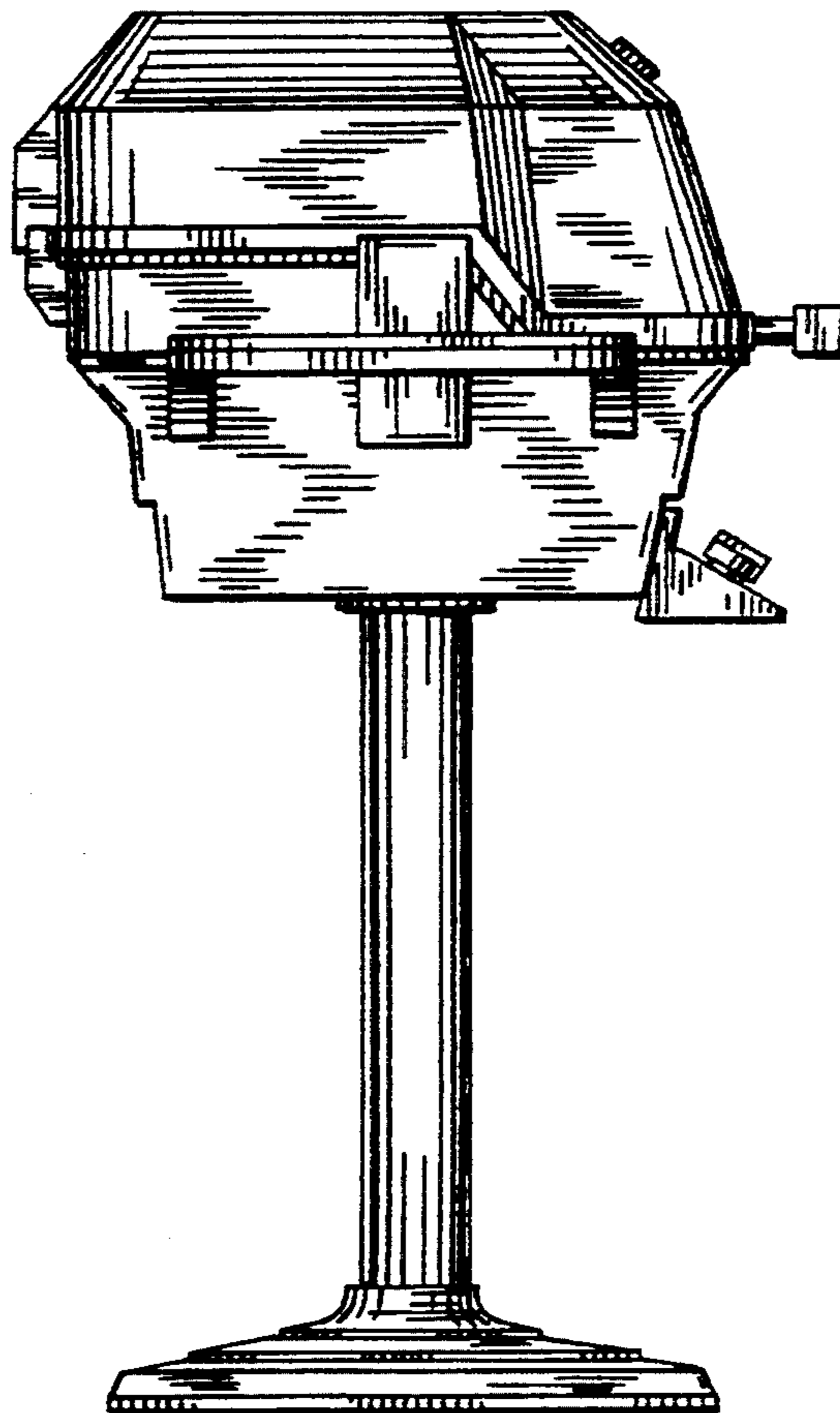


FIG. 17.

FIG. 18.

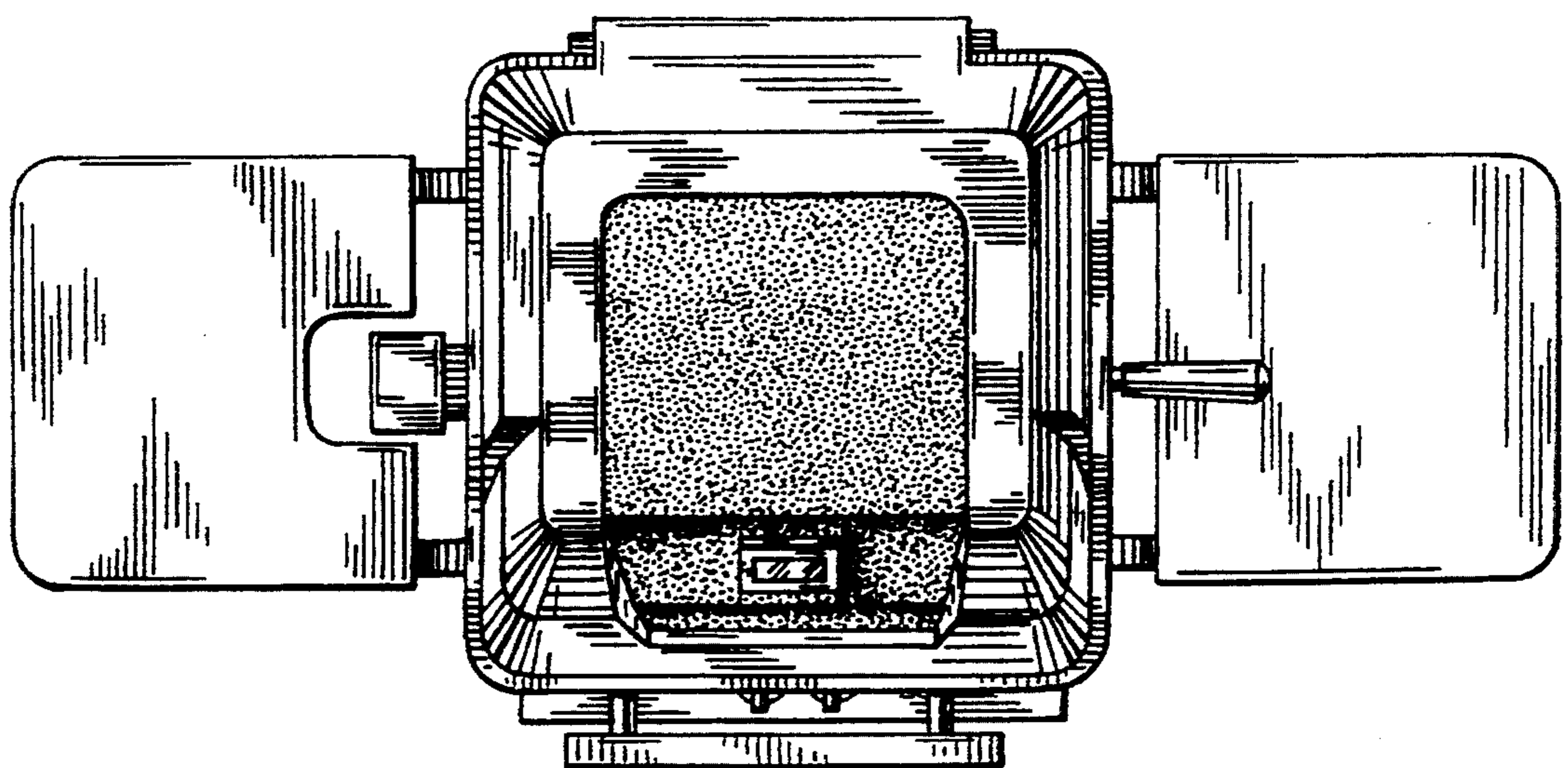
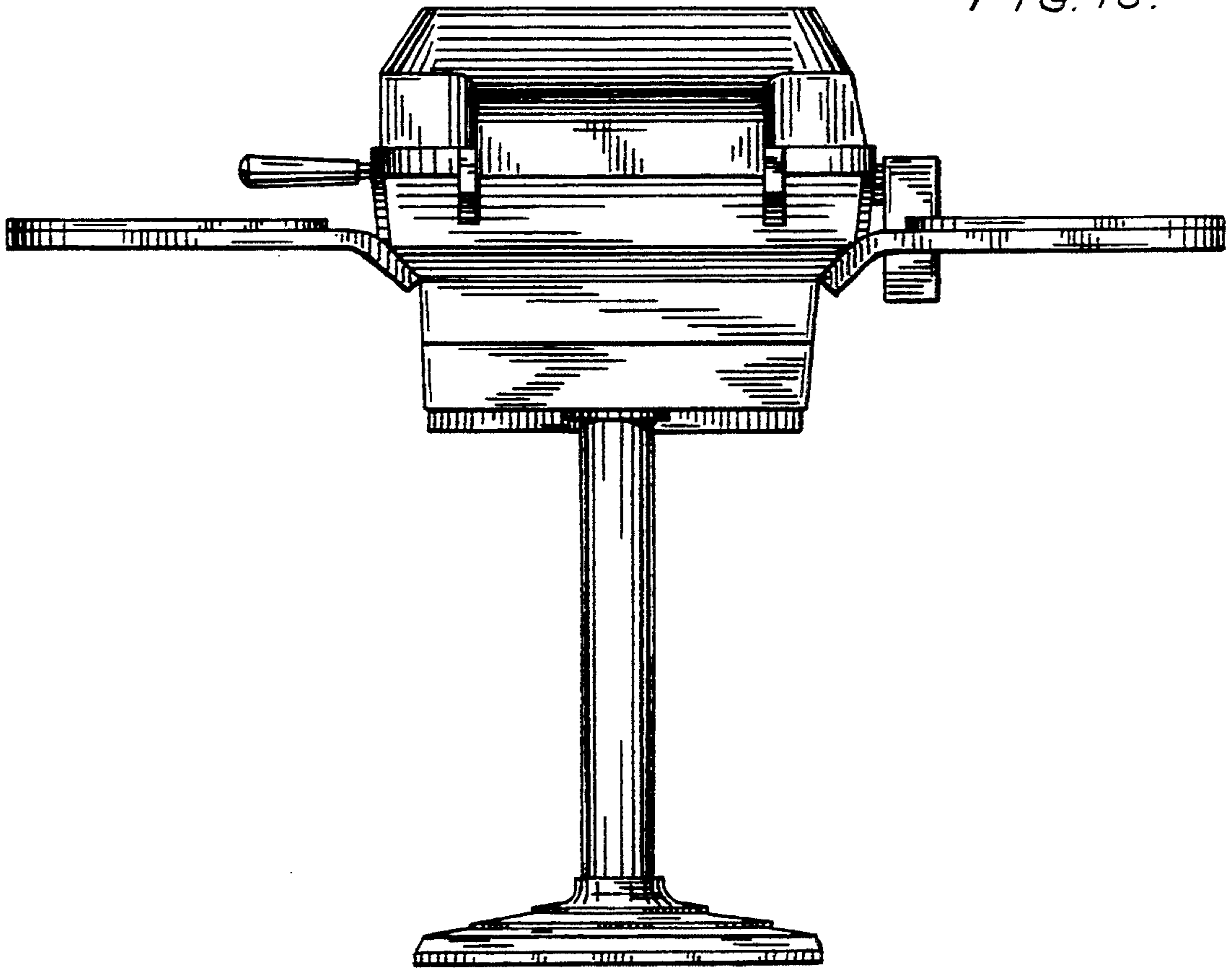


FIG. 19.