



US00D359867S

United States Patent [19]

[11] Patent Number: **Des. 359,867**

Eldrege et al.

[45] Date of Patent: **** Jul. 4, 1995**

[54] **SOAP BAR DISPENSER AND HOLDER**

[76] Inventors: **Richard D. Eldrege**, 5342 Ithaca Ave., Las Vegas, Nev. 89122;
Christopher K. Mehrrens, 1070 Knicker Bocker, Sunnyvale, Calif. 94087

4,392,630 7/1983 Moontasir 248/309 R
4,435,030 3/1984 Haven 312/351
4,527,764 7/1985 Krause 248/309.1
4,630,794 12/1986 Ross 248/309.1

Primary Examiner—Brian N. Vinson
Attorney, Agent, or Firm—Richard C. Litman

[**] Term: **14 Years**

[57] **CLAIM**

[21] Appl. No.: **15,689**

The ornamental design for a soap bar dispenser and holder, as shown and described.

[22] Filed: **Nov. 26, 1993**

DESCRIPTION

[52] U.S. Cl. **D6/515**

[58] Field of Search D6/536-540,
D6/515; 206/77.1; 221/282, 286; 222/180, 173

FIG. 1 is a top, front, and left side perspective view of a soap bar dispenser and holder showing our new design;

[56] **References Cited**

U.S. PATENT DOCUMENTS

D. 293,638 1/1988 Sussman D6/536
D. 313,714 6/1991 Pendill D6/515
D. 317,384 6/1991 Powell D6/515
D. 347,957 6/1994 Kea D6/540
D. 349,001 7/1994 Cibener D6/515
4,313,537 2/1982 Collet 206/77.1

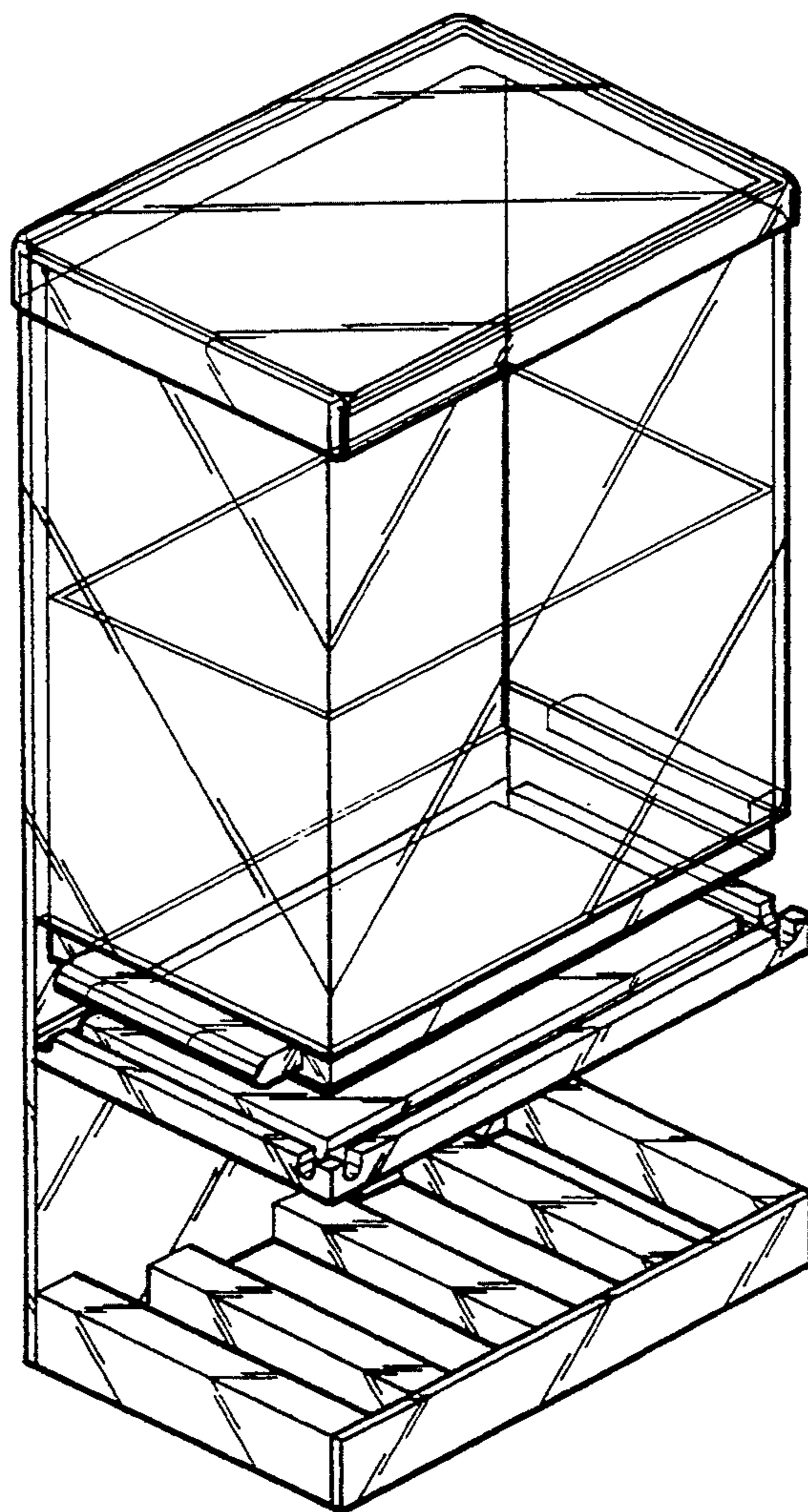
FIG. 2 is a front elevational view thereof, with the broken-line disclosure of a soap bar being for illustrative purposes only and forming no part of the claimed design;

FIG. 3 is a right side elevational view thereof;

FIG. 4 is a rear elevational view thereof;

FIG. 5 is a top plan view thereof; and,

FIG. 6 is a bottom plan view thereof.



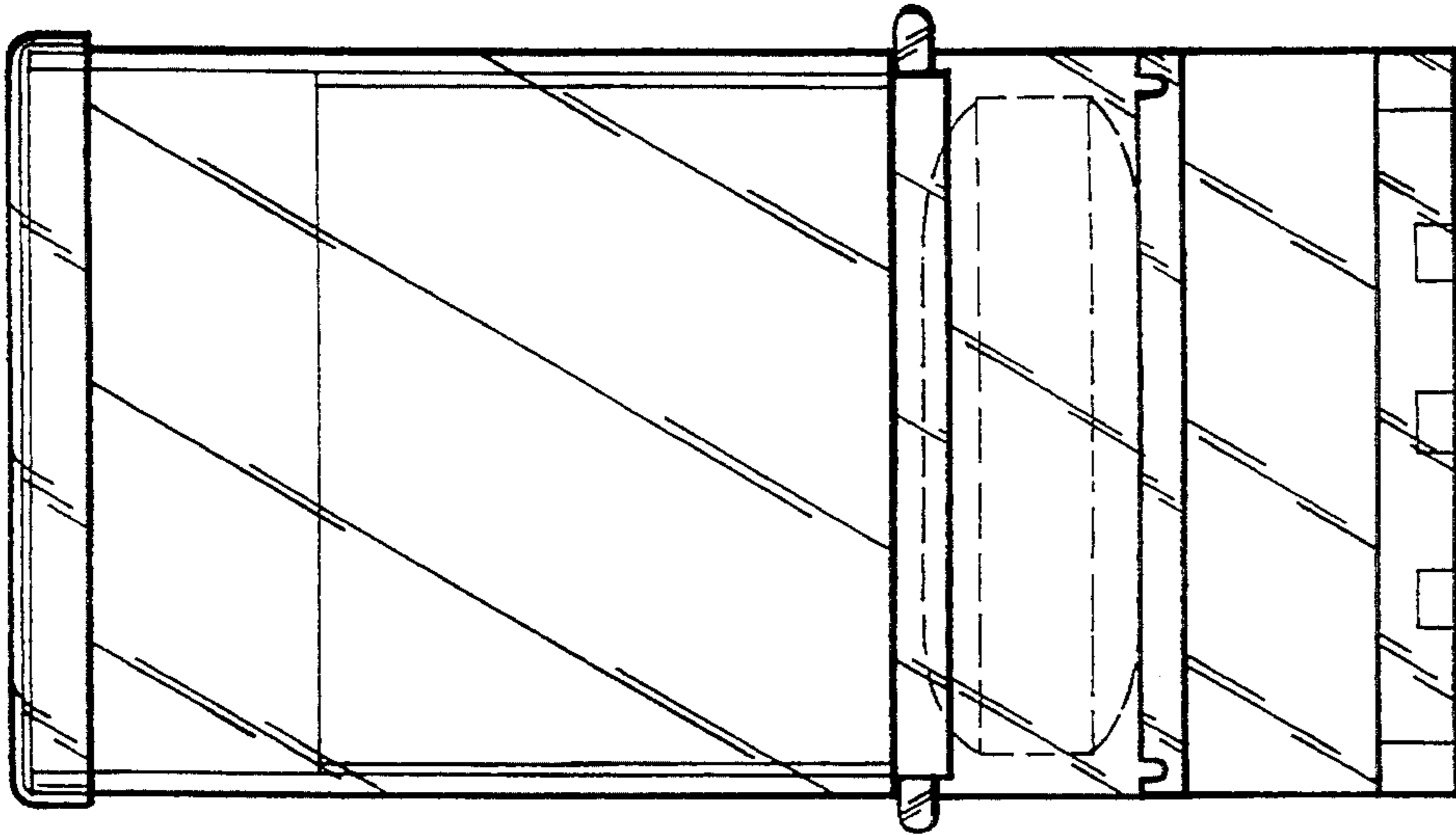


FIG. 2

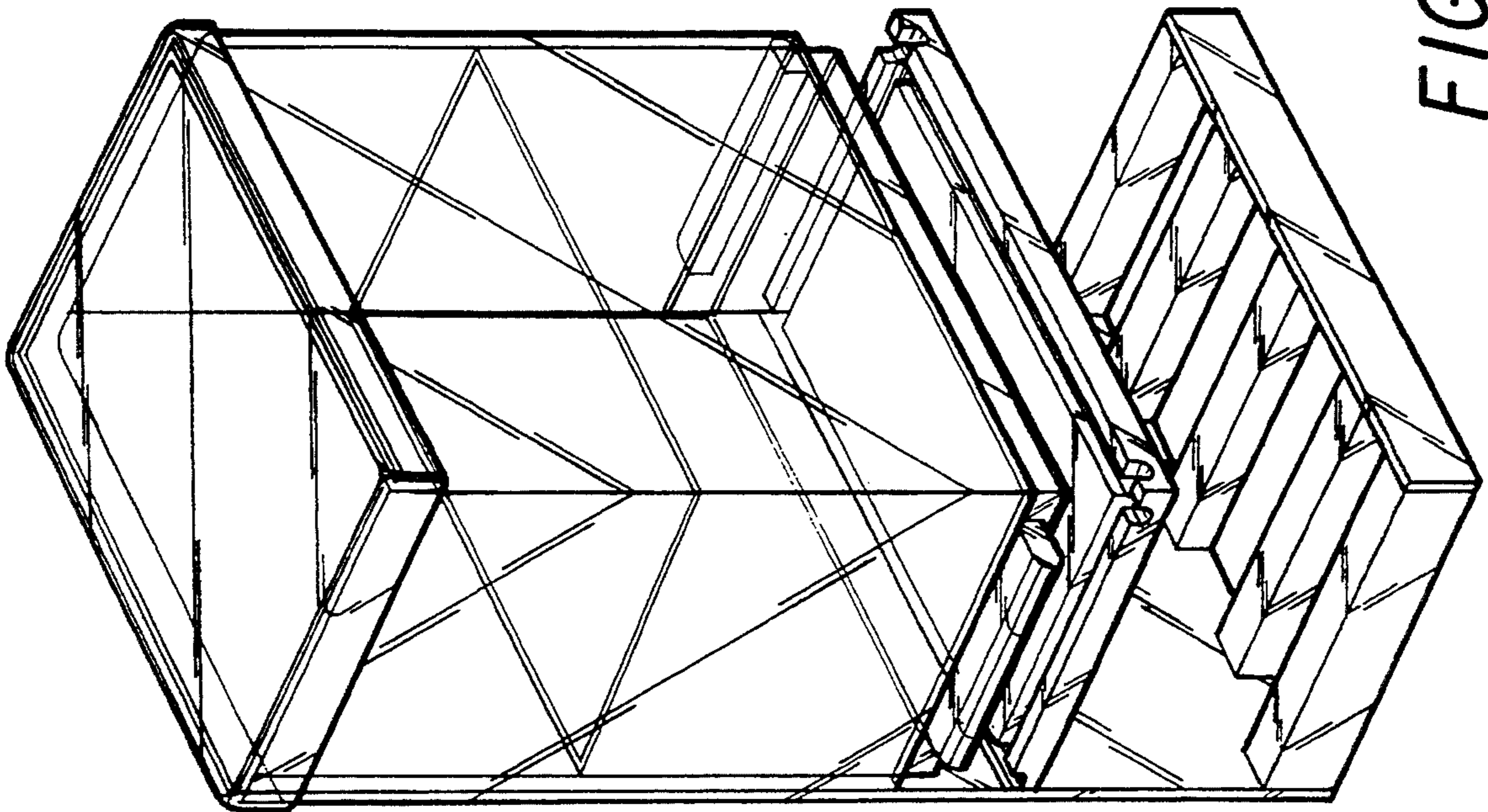


FIG. 1

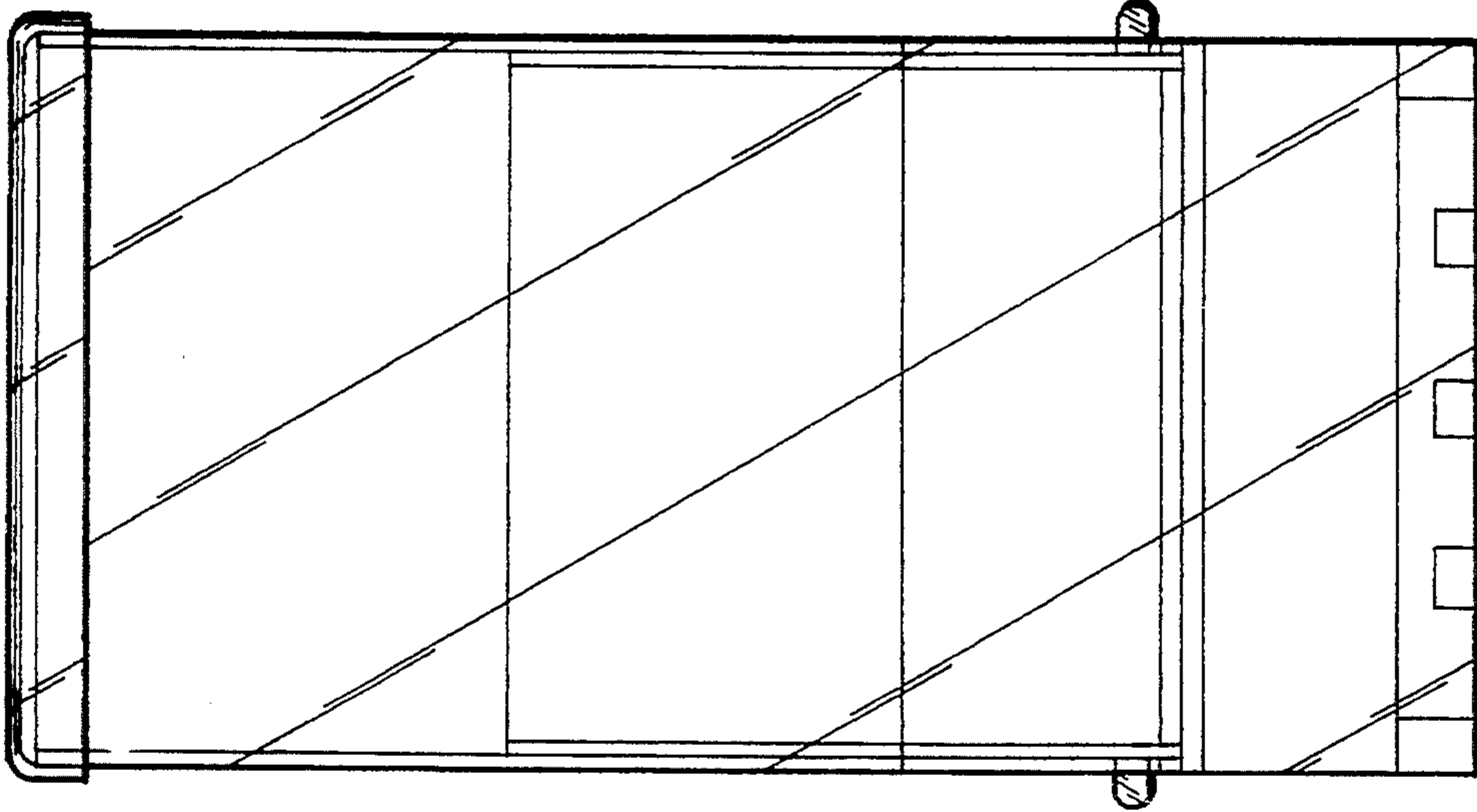


FIG. 4

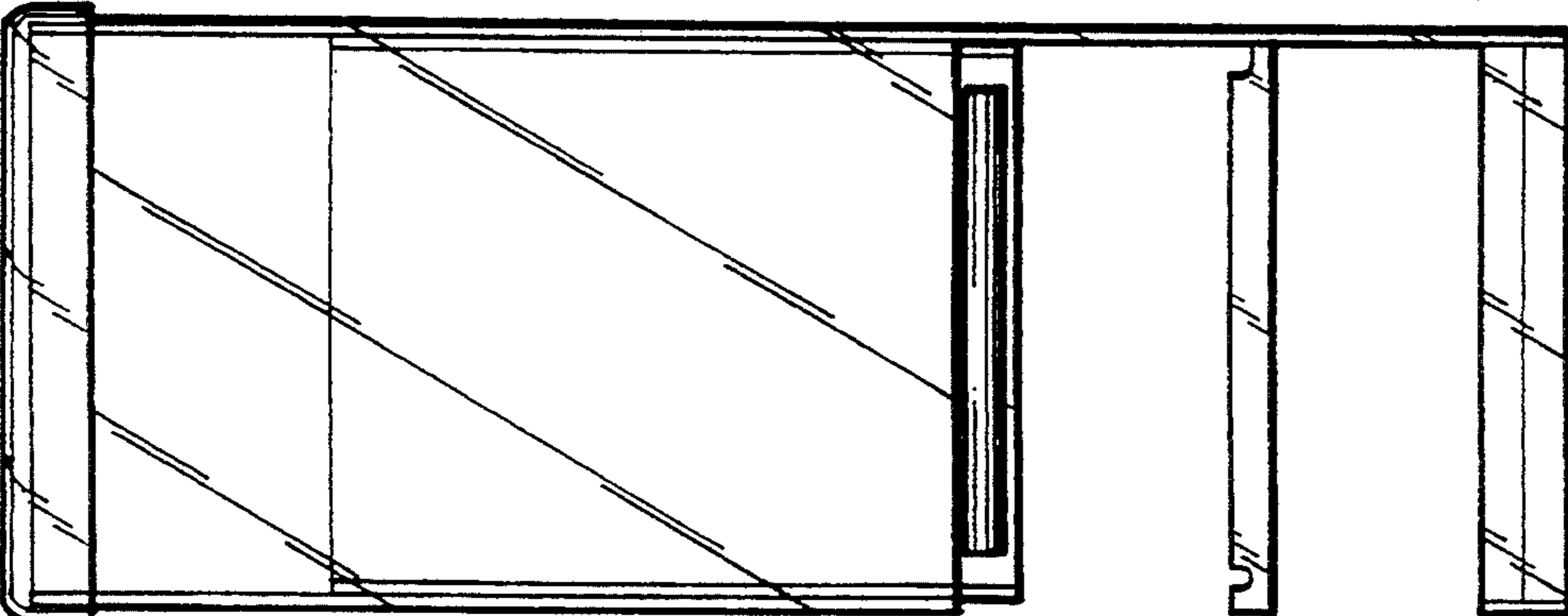


FIG. 3

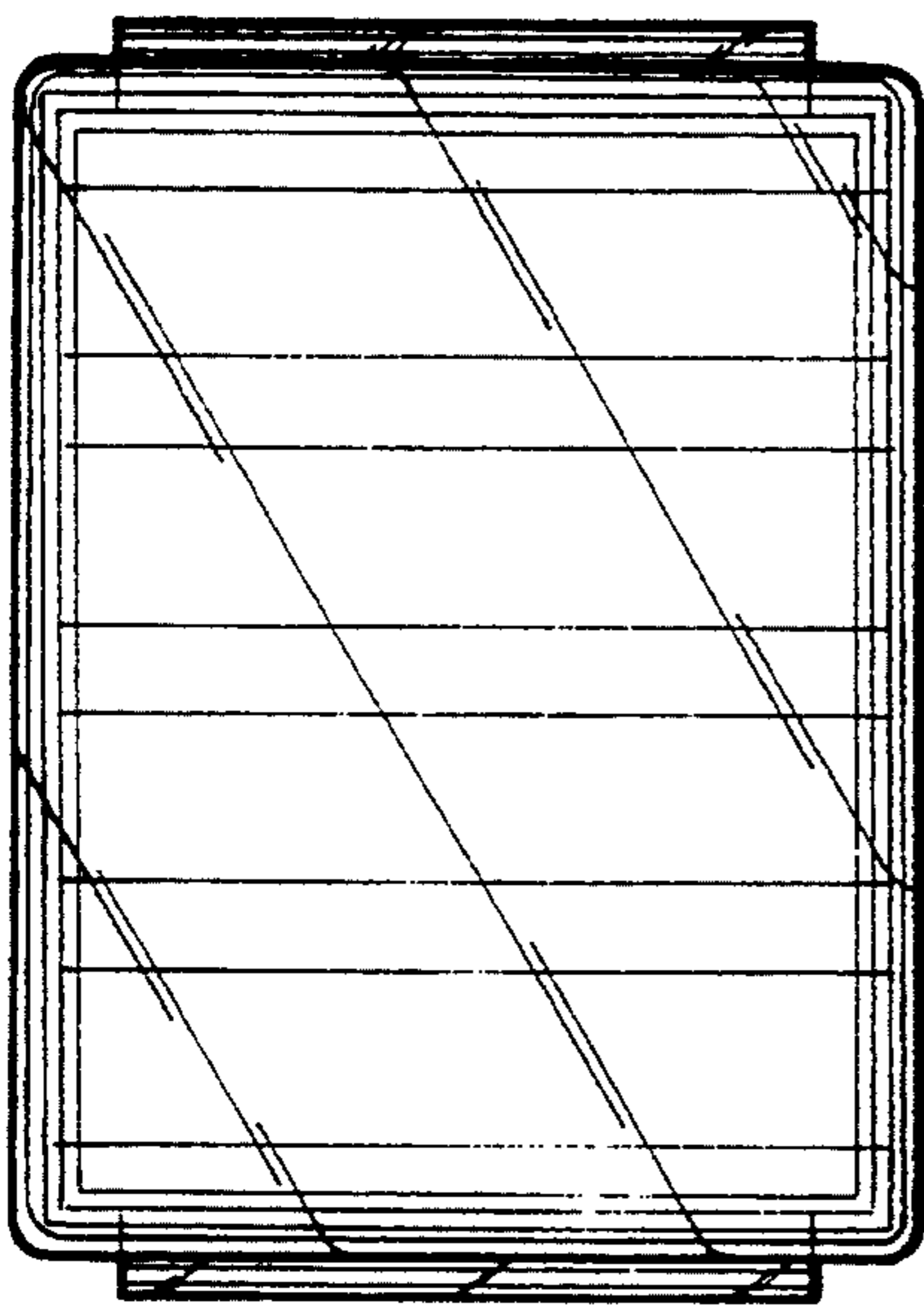


FIG. 5

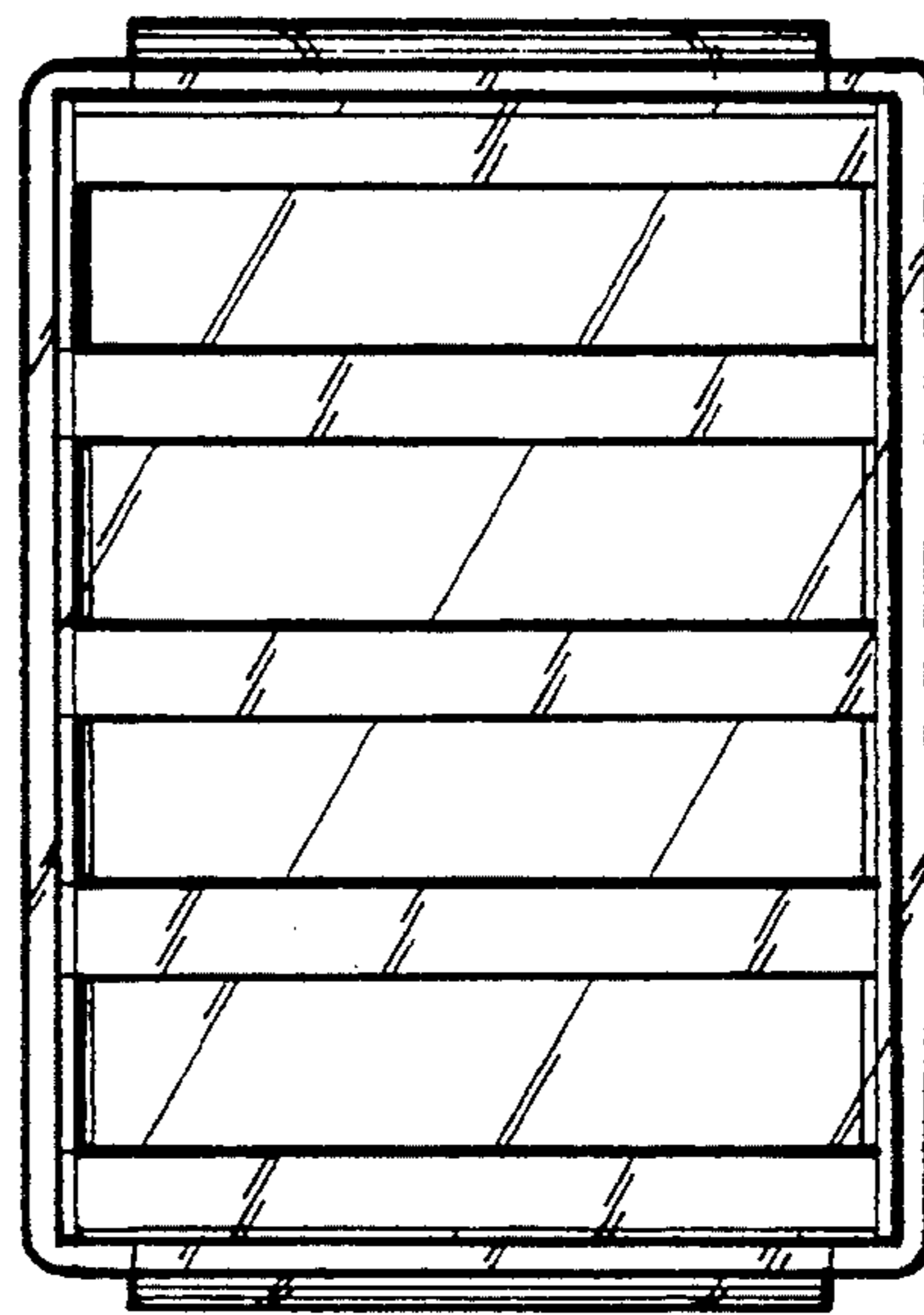


FIG. 6