



US00D359865S

# United States Patent [19]

[11] Patent Number: **Des. 359,865**

Keller et al.

[45] Date of Patent: **\*\* Jul. 4, 1995**

[54] DISPLAY CASE

[75] Inventors: **Diane Keller**, Copiague, N.Y.; **Frank Keller**, Asbury; **Charles Better**, Port Monmouth, both of N.J.

[73] Assignee: **Kinney Shoe Corporation**, New York, N.Y.

[\*\*] Term: **14 Years**

[21] Appl. No.: **14,833**

[22] Filed: **Oct. 29, 1993**

[52] U.S. Cl. .... **D6/472**

[58] Field of Search ..... **D6/449, 450, 451, 470, D6/471, 472, 432, 476, 478, 481; D20/42, 10; 312/114, 116, 117, 119, 126**

[56] **References Cited**

**U.S. PATENT DOCUMENTS**

- D. 100,141 6/1936 Worth ..... D6/470
- D. 108,035 1/1938 Reinecke ..... D20/10
- D. 108,036 1/1938 Reinecke ..... D20/10
- D. 123,826 12/1940 Adams ..... D6/470
- D. 129,477 9/1941 Gannon ..... D6/472
- D. 139,893 1/1945 Roberts et al. .... 312/140.1 X

- D. 142,049 8/1945 Waddell ..... D6/470 X
- D. 149,804 6/1948 Fletcher ..... D6/478 X
- D. 151,105 9/1948 Uihlein ..... D20/42
- D. 225,927 1/1973 Duern et al. .... D6/472 X
- D. 264,784 6/1982 Johnson ..... D6/451

*Primary Examiner*—Alan P. Douglas  
*Assistant Examiner*—S. Snapp  
*Attorney, Agent, or Firm*—Kenyon & Kenyon

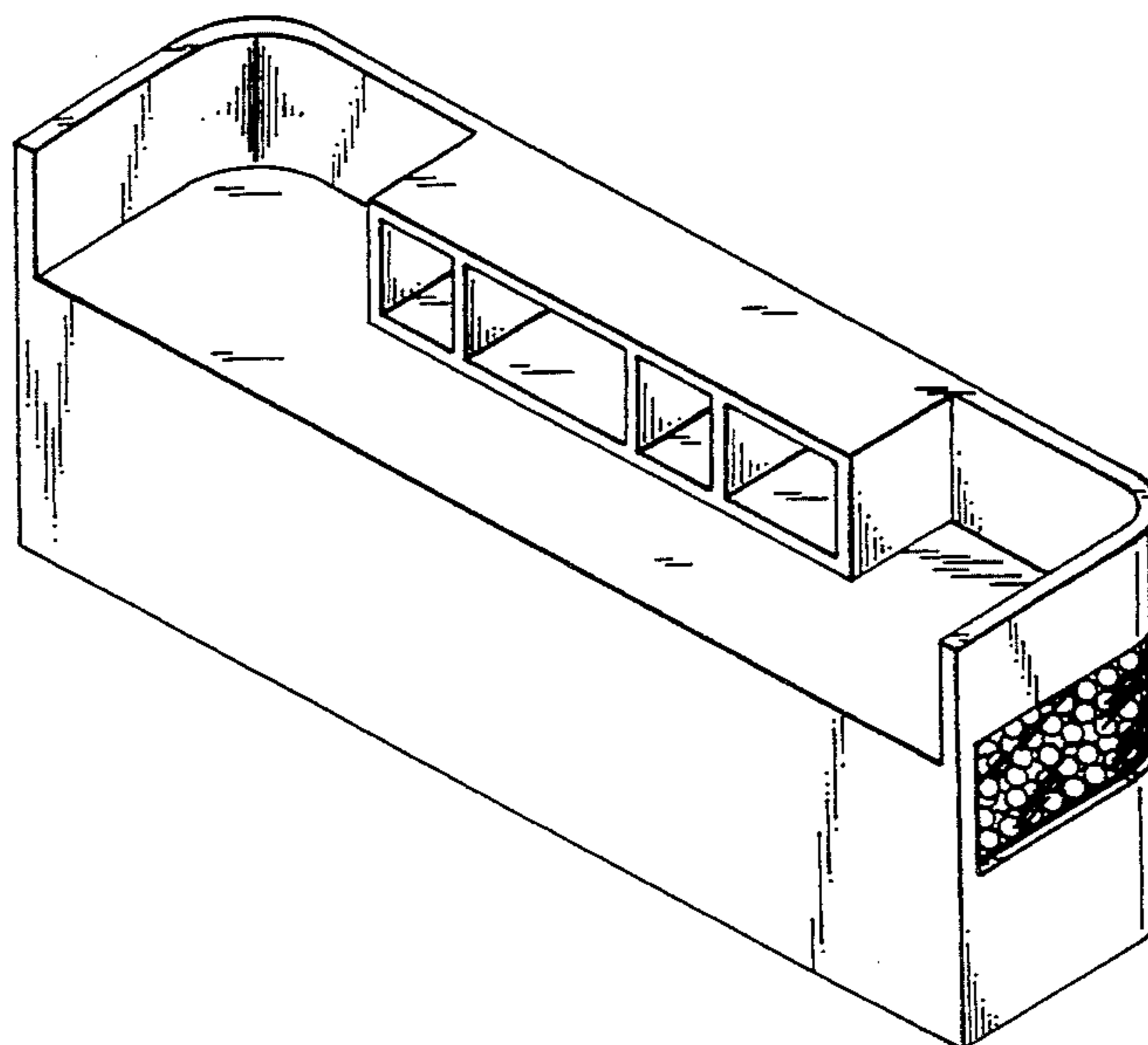
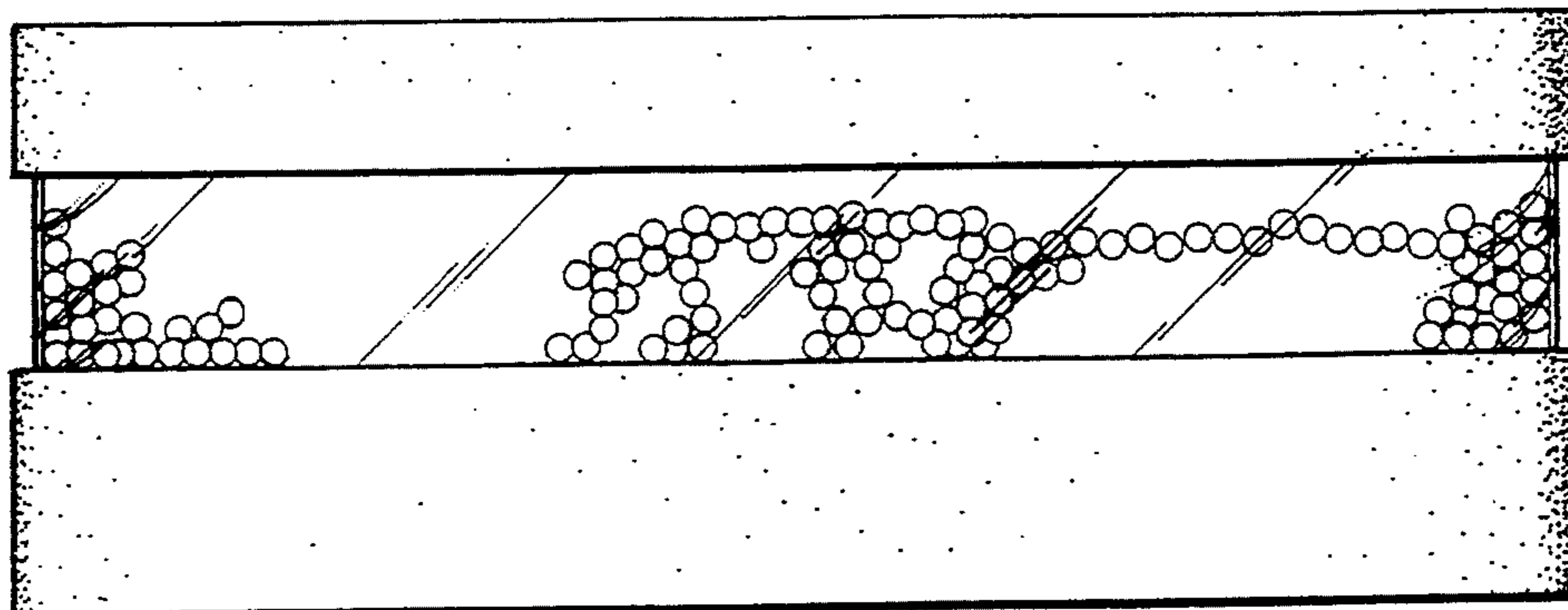
[57] **CLAIM**

The ornamental design for an display case, as shown and described.

**DESCRIPTION**

FIG. 1 is a front elevational view of an display case showing our new design;  
 FIG. 2 is a top plan view thereof;  
 FIG. 3 is a right side elevational view thereof, the left side being a mirror image thereof;  
 FIG. 4 is a bottom plan view thereof;  
 FIG. 5 is a rear elevational view; and,  
 FIG. 6 is a perspective view thereof.

The use of full and partial circles as shown in FIGS. 1, 3 & 6 represent spheres within the borders shown. The spheres are continuous throughout the entire bordered area.



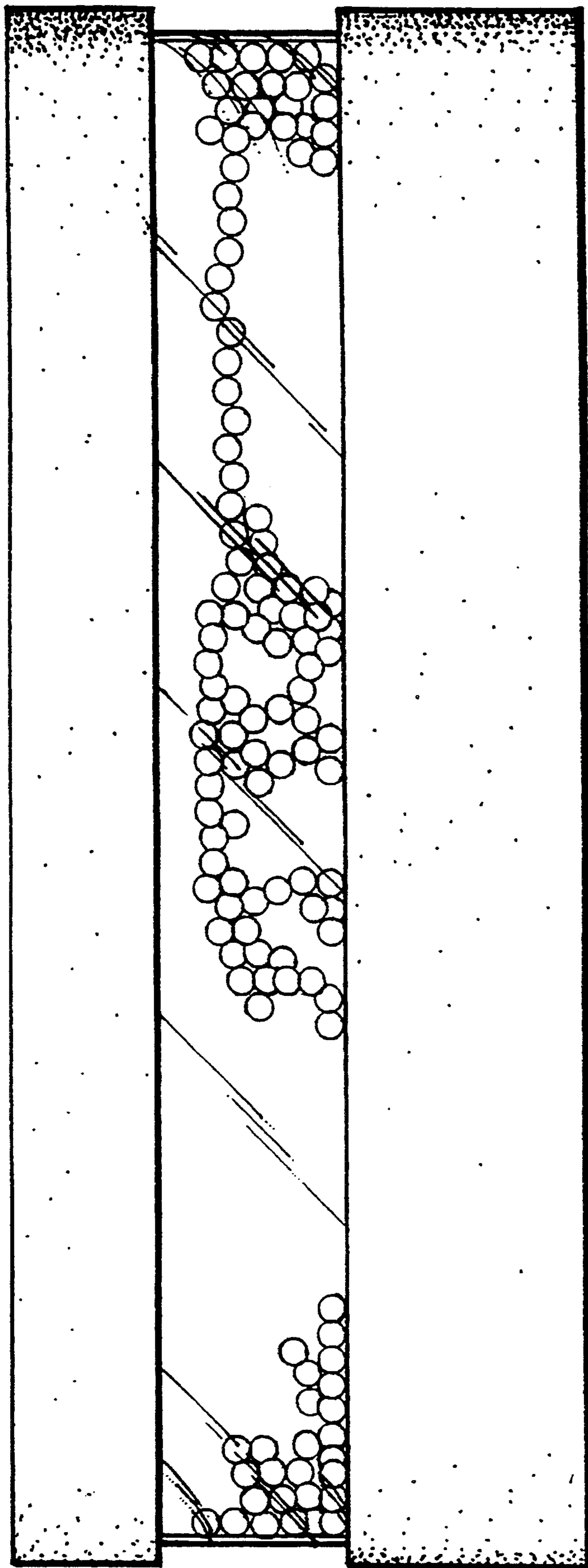


FIG. 1

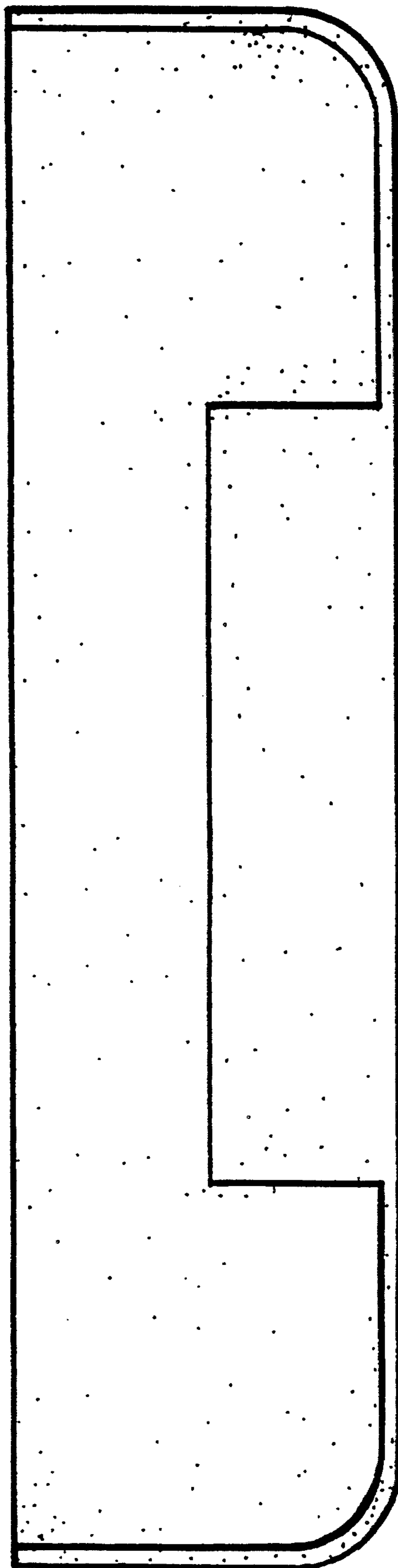


FIG. 2

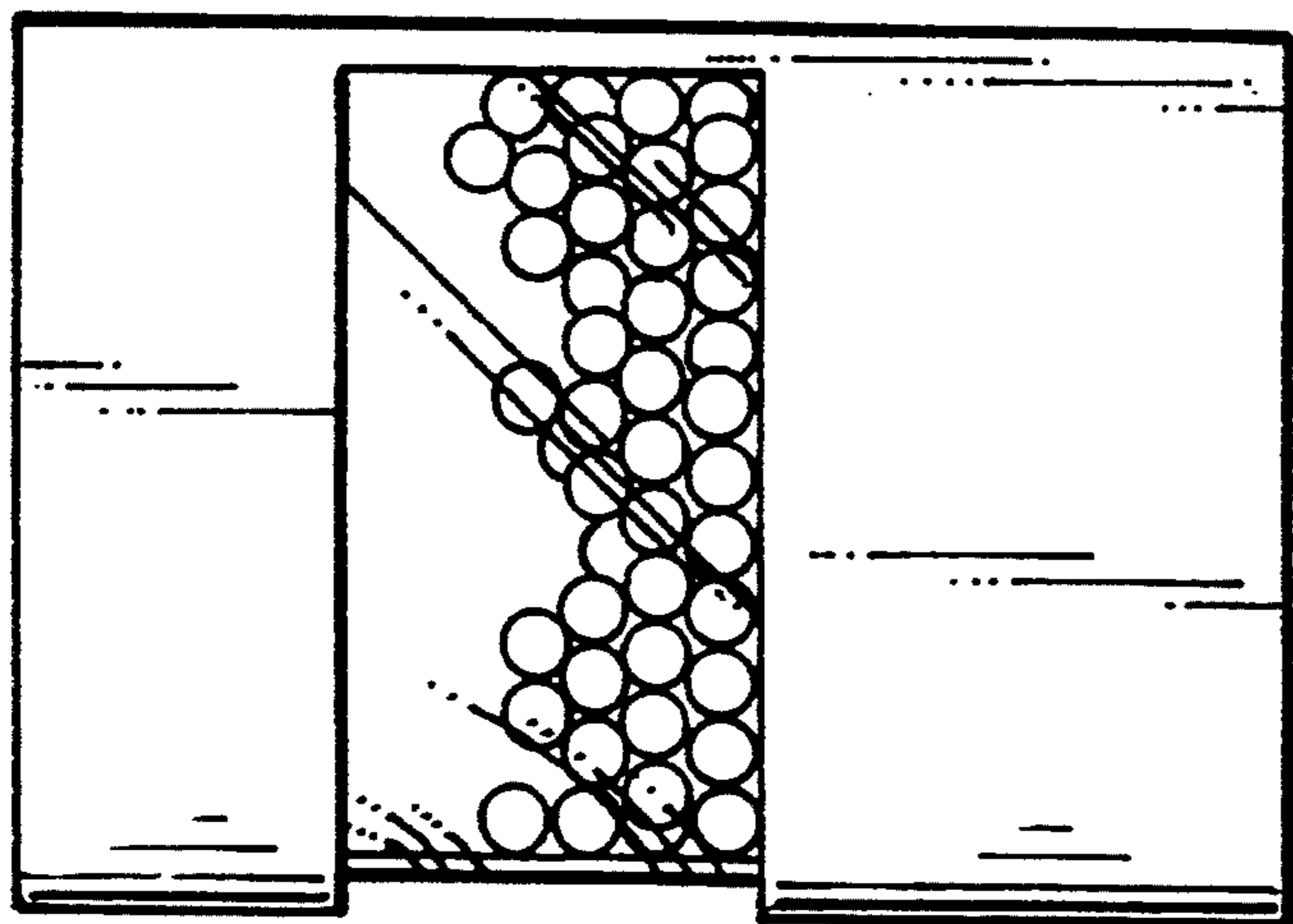


FIG. 3

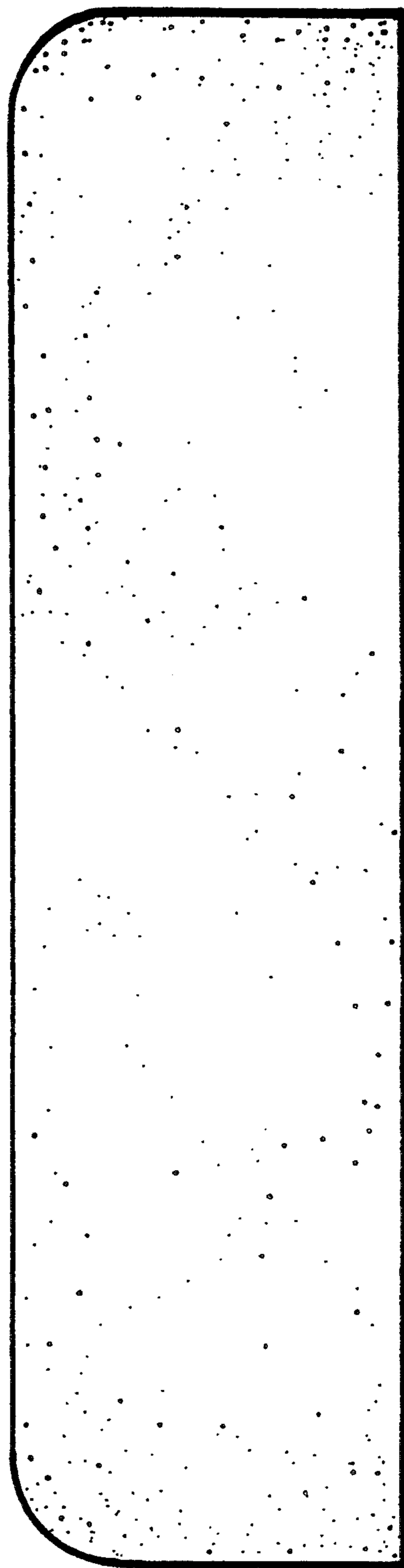


FIG. 4

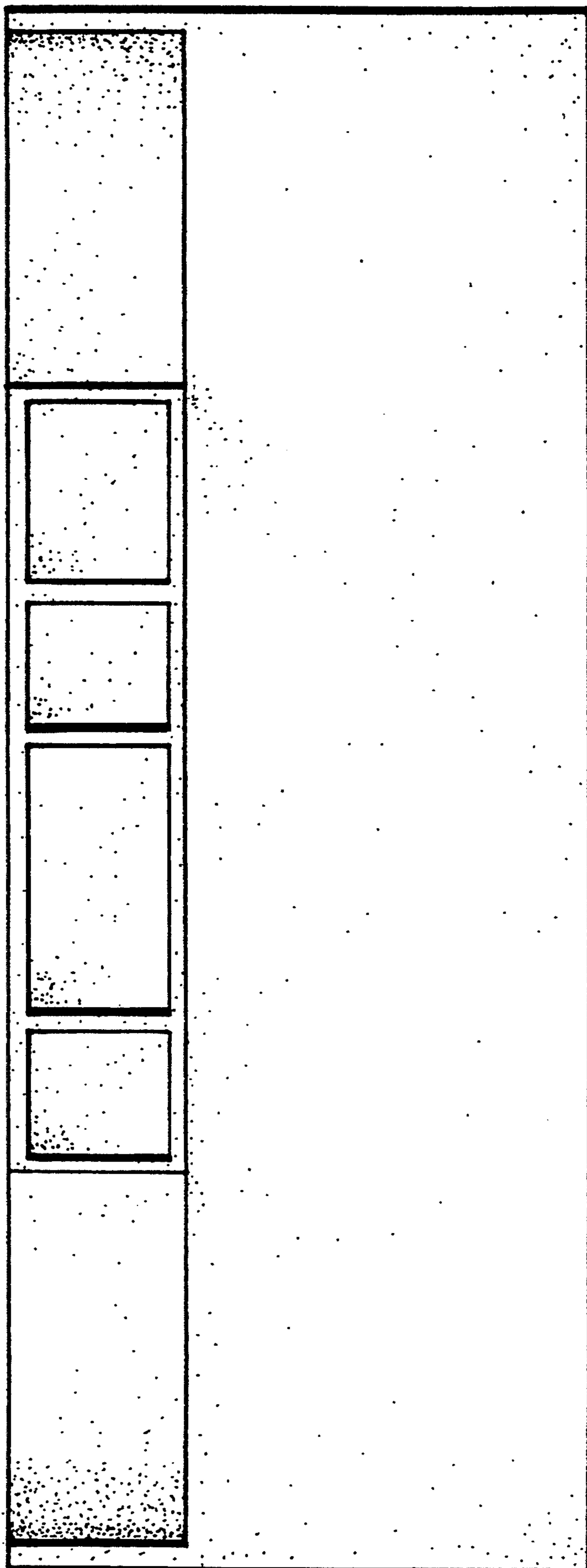


FIG. 5

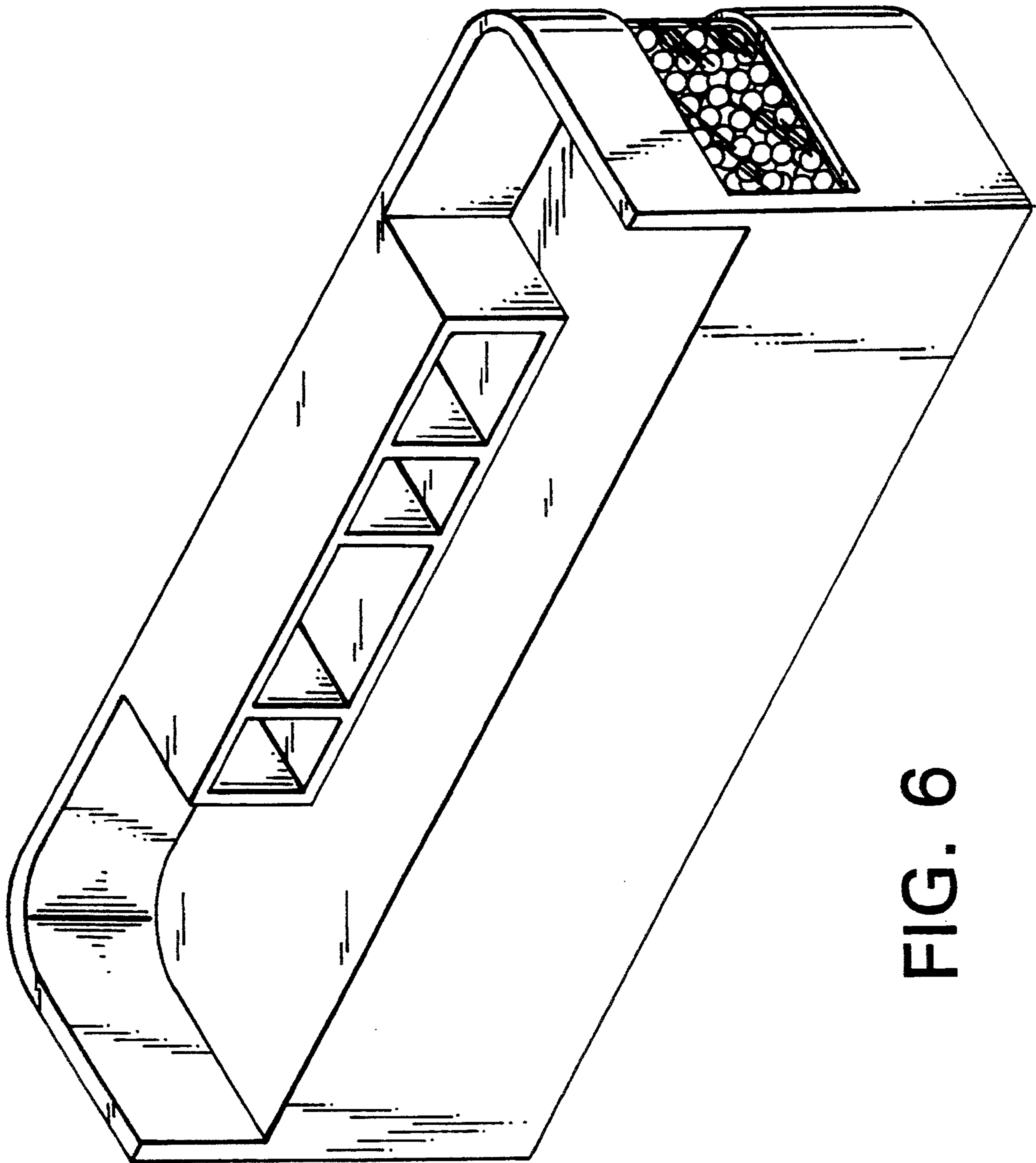


FIG. 6