



US00D359862S

United States Patent [19]

Rousch

[11] Patent Number: **Des. 359,862**

[45] Date of Patent: **** Jul. 4, 1995**

[54] **TRAVELER'S TRAY**

[76] Inventor: **Paula M. Rousch**, 856 West 250 South, Albion, Ind. 46701-9617

[**] Term: **14 Years**

[21] Appl. No.: **20,049**

[22] Filed: **Mar. 18, 1994**

[52] U.S. Cl. **D6/406; D7/553; D12/419**

[58] Field of Search **D6/406, 511, 338; D12/419, 416, 421, 425, 426; D7/550, 553; D19/52; 108/43, 44**

[56] **References Cited**

U.S. PATENT DOCUMENTS

D. 279,845	7/1985	Holliman	D6/406
D. 289,247	4/1987	Wang	D6/406
D. 318,579	7/1991	Palmer	D6/406
3,939,986	2/1976	Pierro	.	
4,453,788	2/1984	Russell	.	
4,490,003	7/1990	Mayhew et al.	.	
4,765,583	8/1988	Tenner	.	
4,770,107	9/1988	Miller	.	
4,795,210	1/1989	Milat	.	
5,046,433	9/1991	Kramer et al.	.	
5,170,720	12/1992	Scheurer	.	

FOREIGN PATENT DOCUMENTS

2140290 11/1984 United Kingdom 108/43

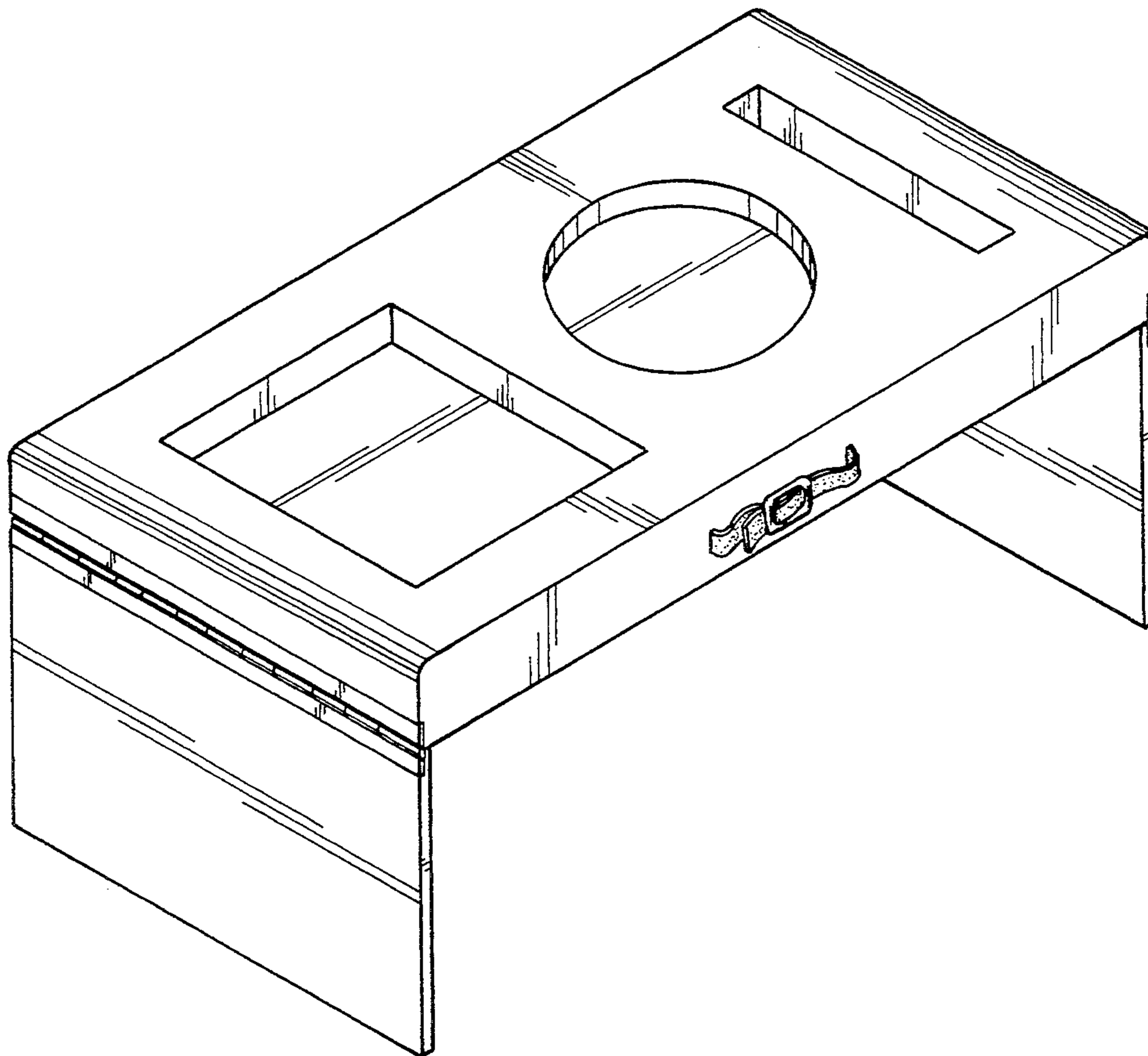
Primary Examiner—Janice E. Seeger
Attorney, Agent, or Firm—Richard C. Litman

[57] **CLAIM**

The ornamental design for a traveler's tray, as shown and described.

DESCRIPTION

FIG. 1 is a rear perspective view of a traveler's tray showing my new design;
 FIG. 2 is a front elevational view thereof;
 FIG. 3 is a rear elevational view thereof;
 FIG. 4 is a top view thereof;
 FIG. 5 is a left side elevational view thereof;
 FIG. 6 is a right side elevational view thereof;
 FIG. 7 is a bottom view thereof;
 FIG. 8 is a rear perspective view of an alternative embodiment;
 FIG. 9 is a front elevational view thereof;
 FIG. 10 is a rear elevational view thereof;
 FIG. 11 is a top view thereof;
 FIG. 12 is a left side elevational view with the right side being a mirror image thereof; and,
 FIG. 13 is a bottom view thereof.



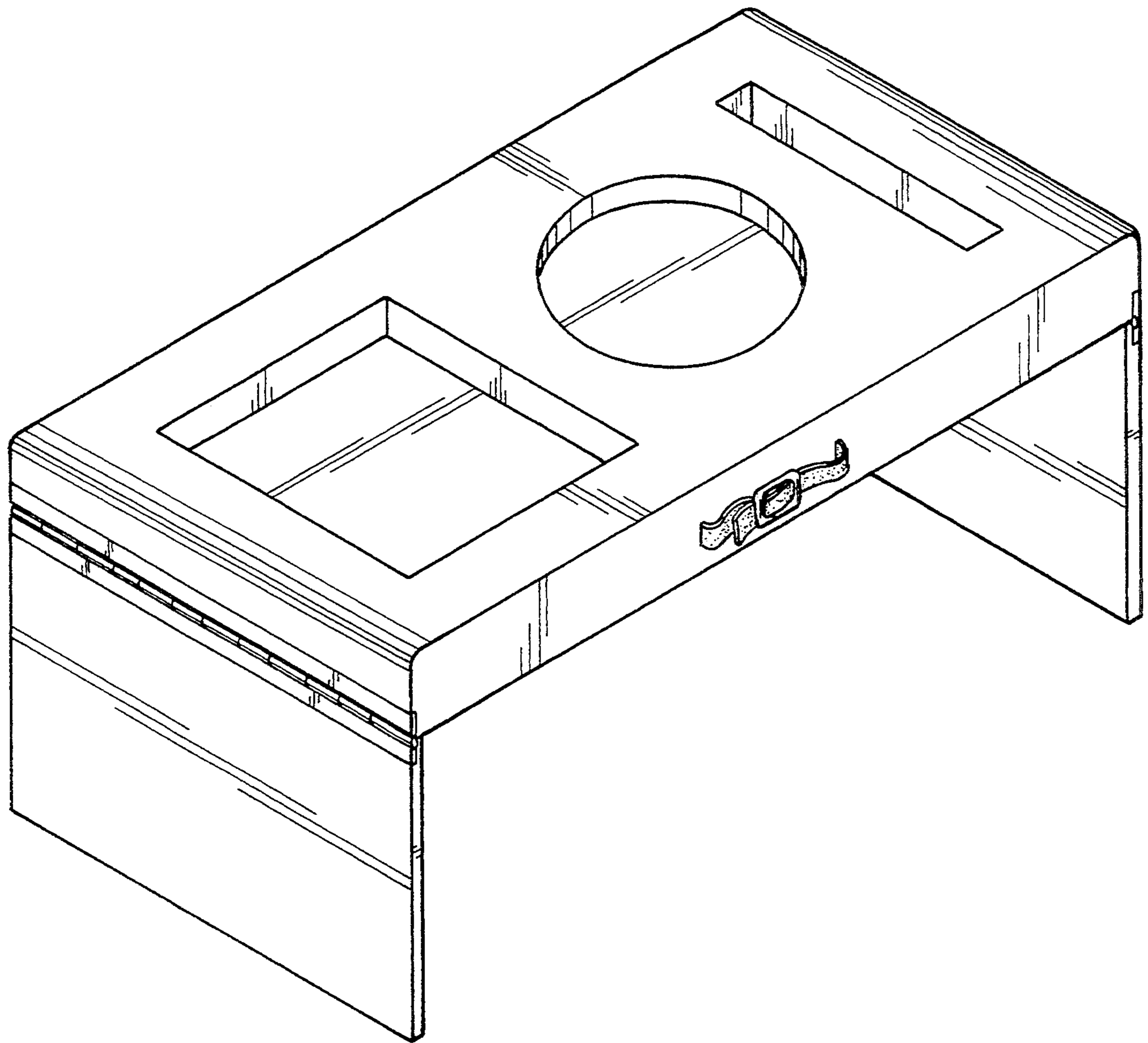


FIG. 1

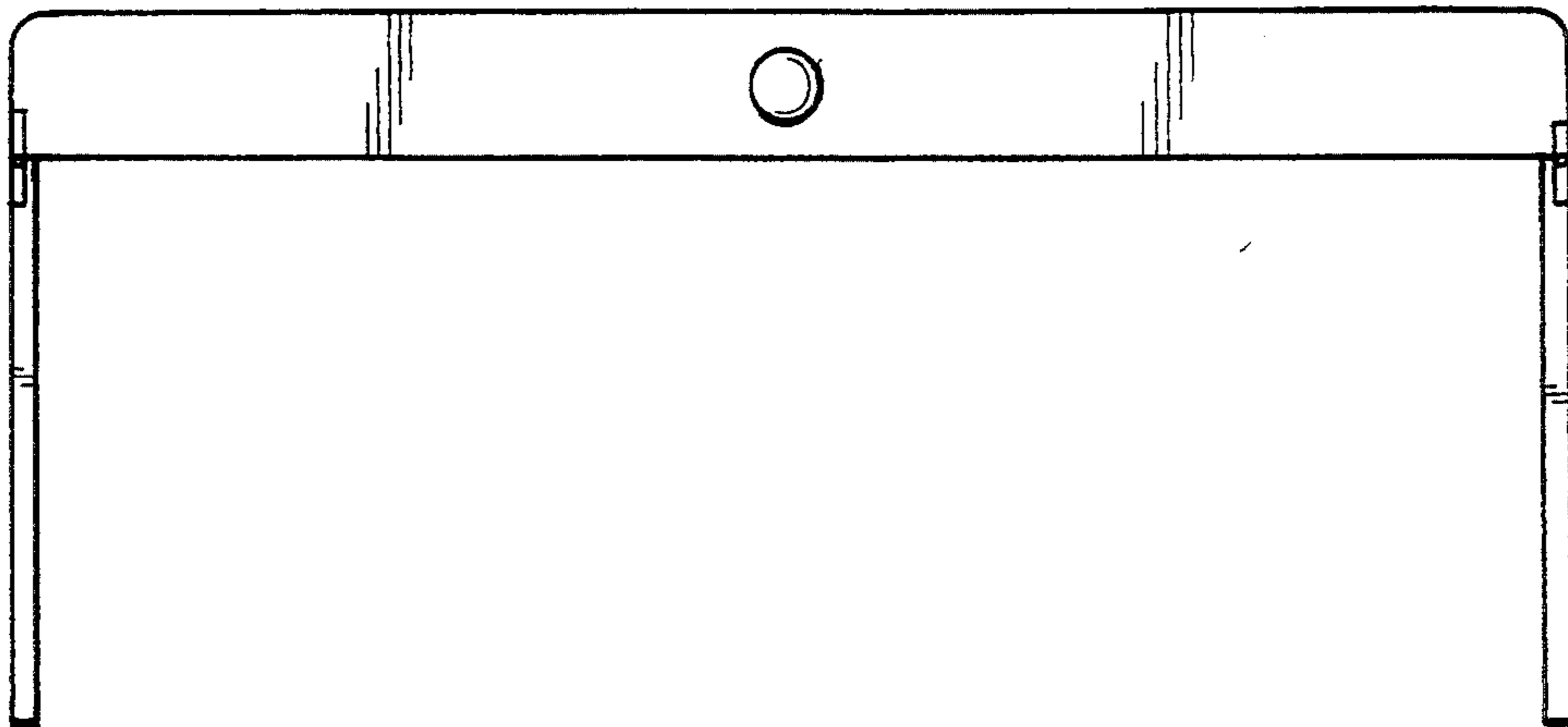


FIG. 2

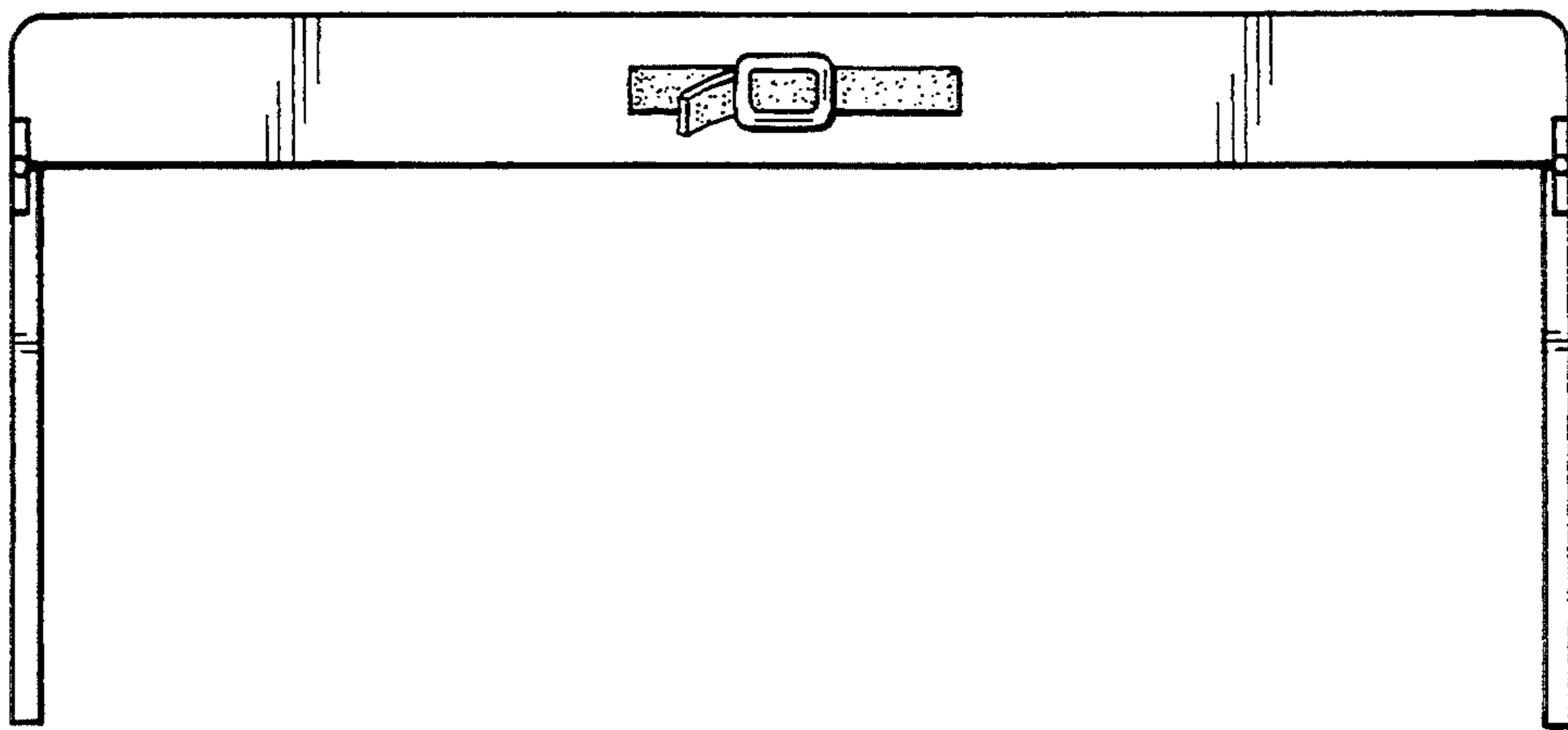


FIG. 3

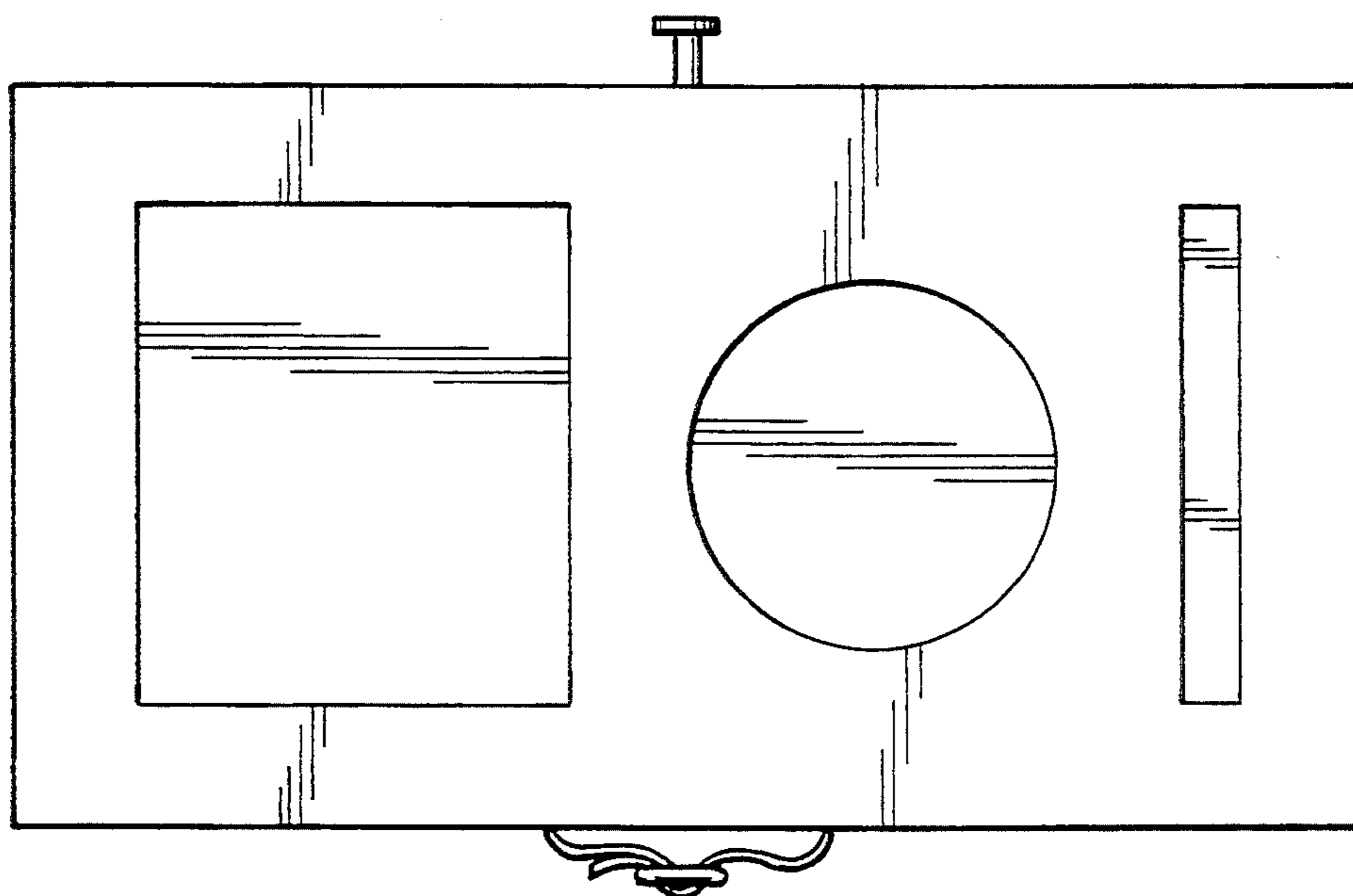


FIG. 4

FIG. 5

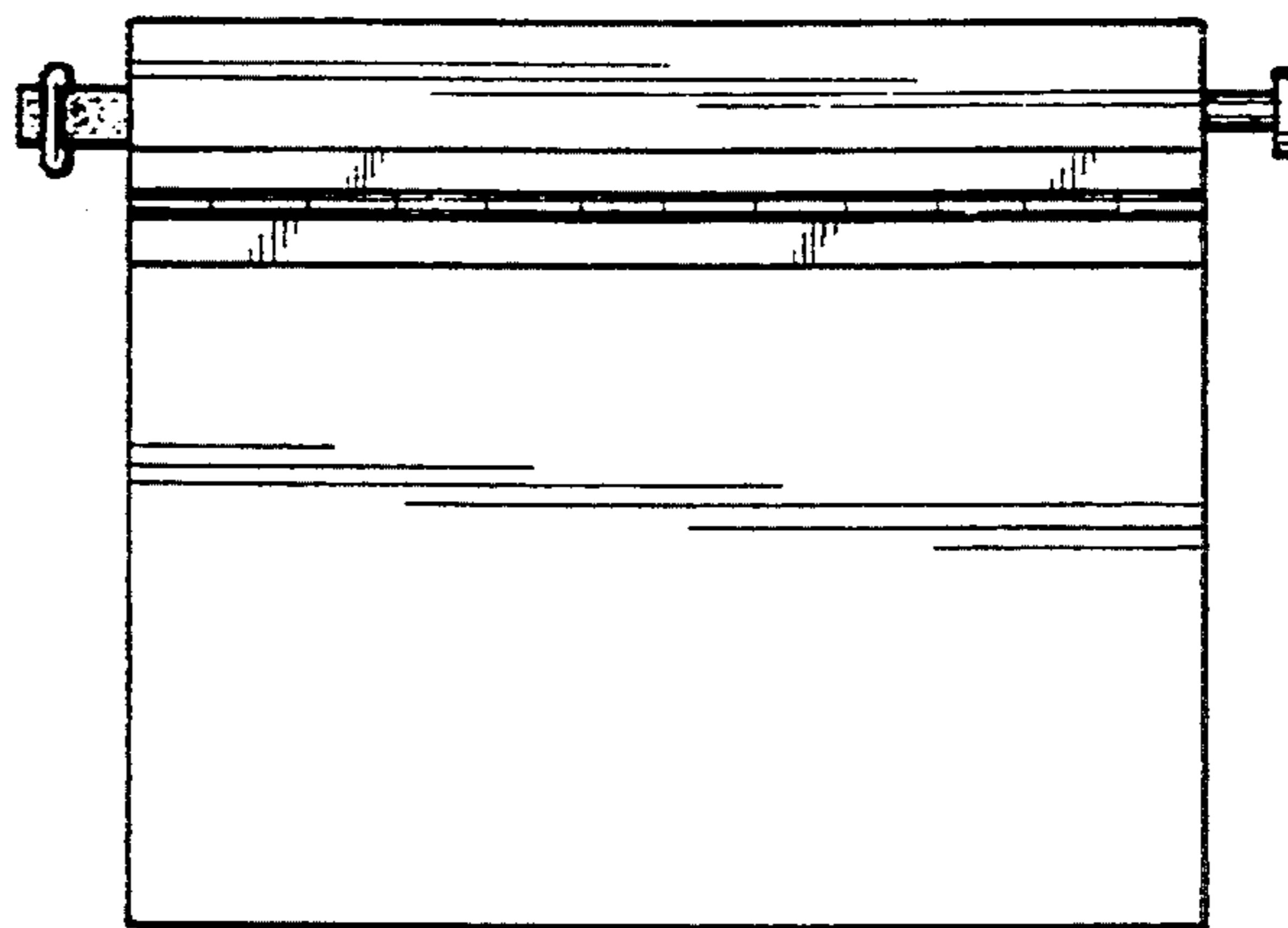


FIG. 6

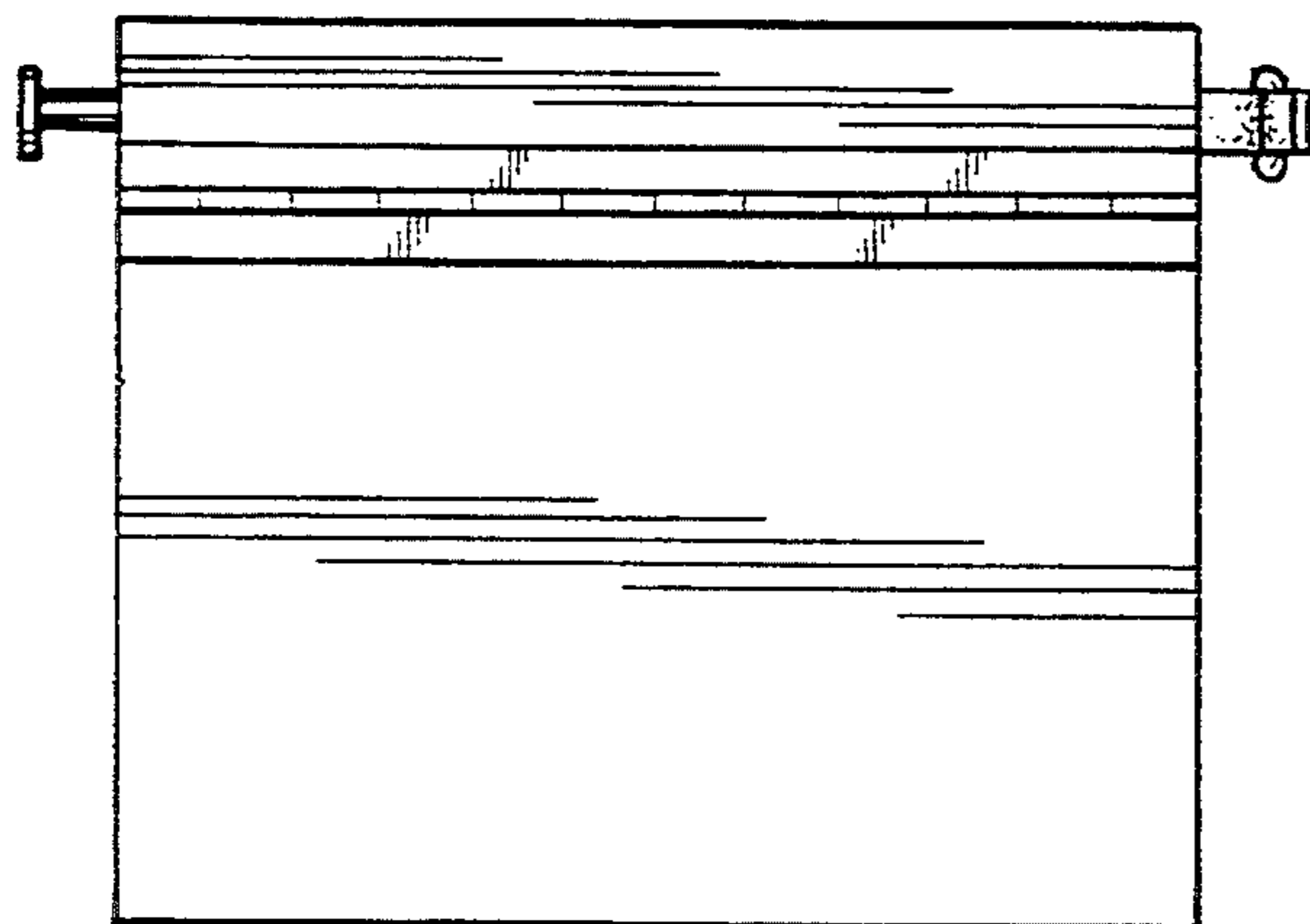
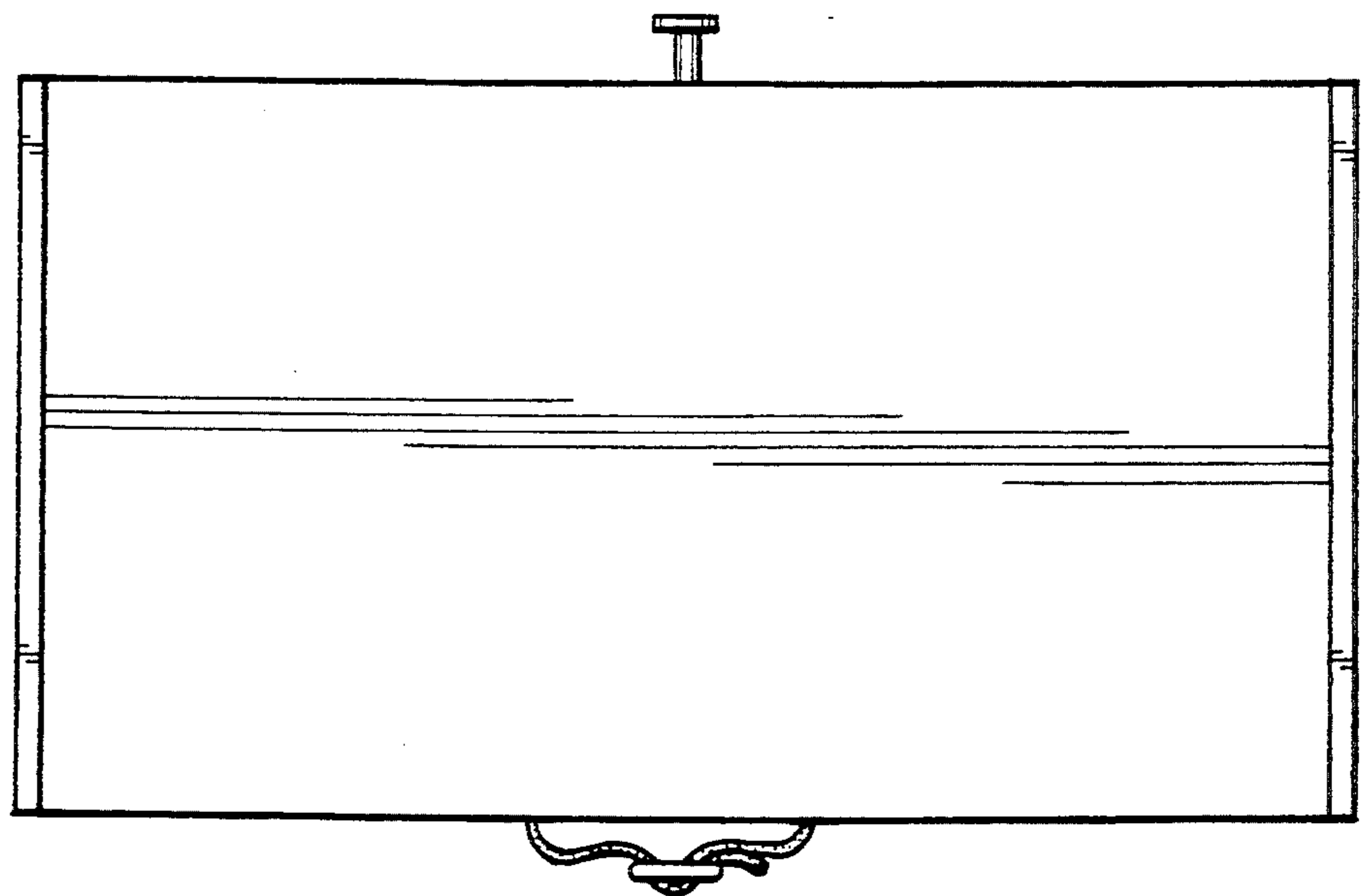


FIG. 7



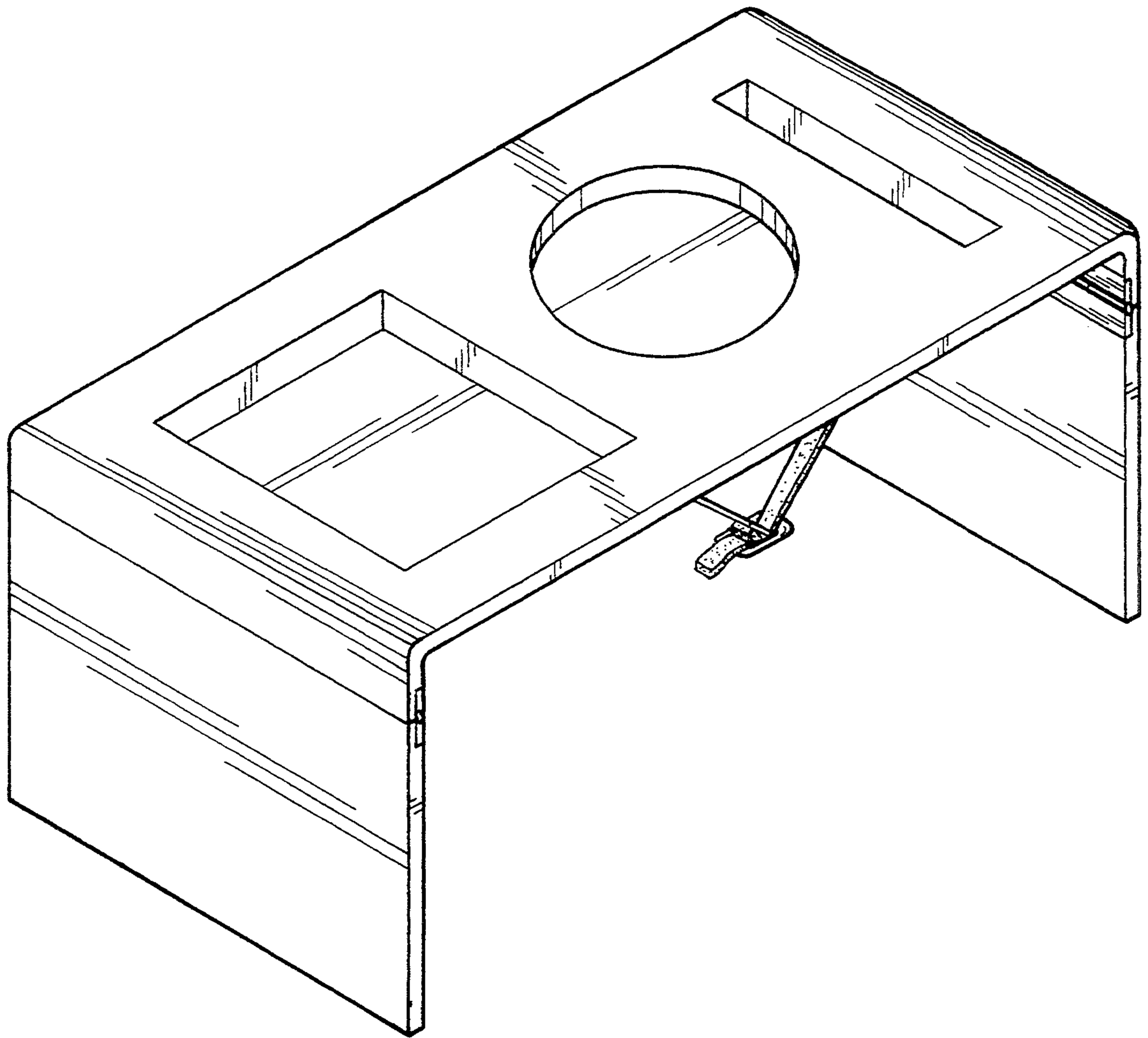


FIG. 8

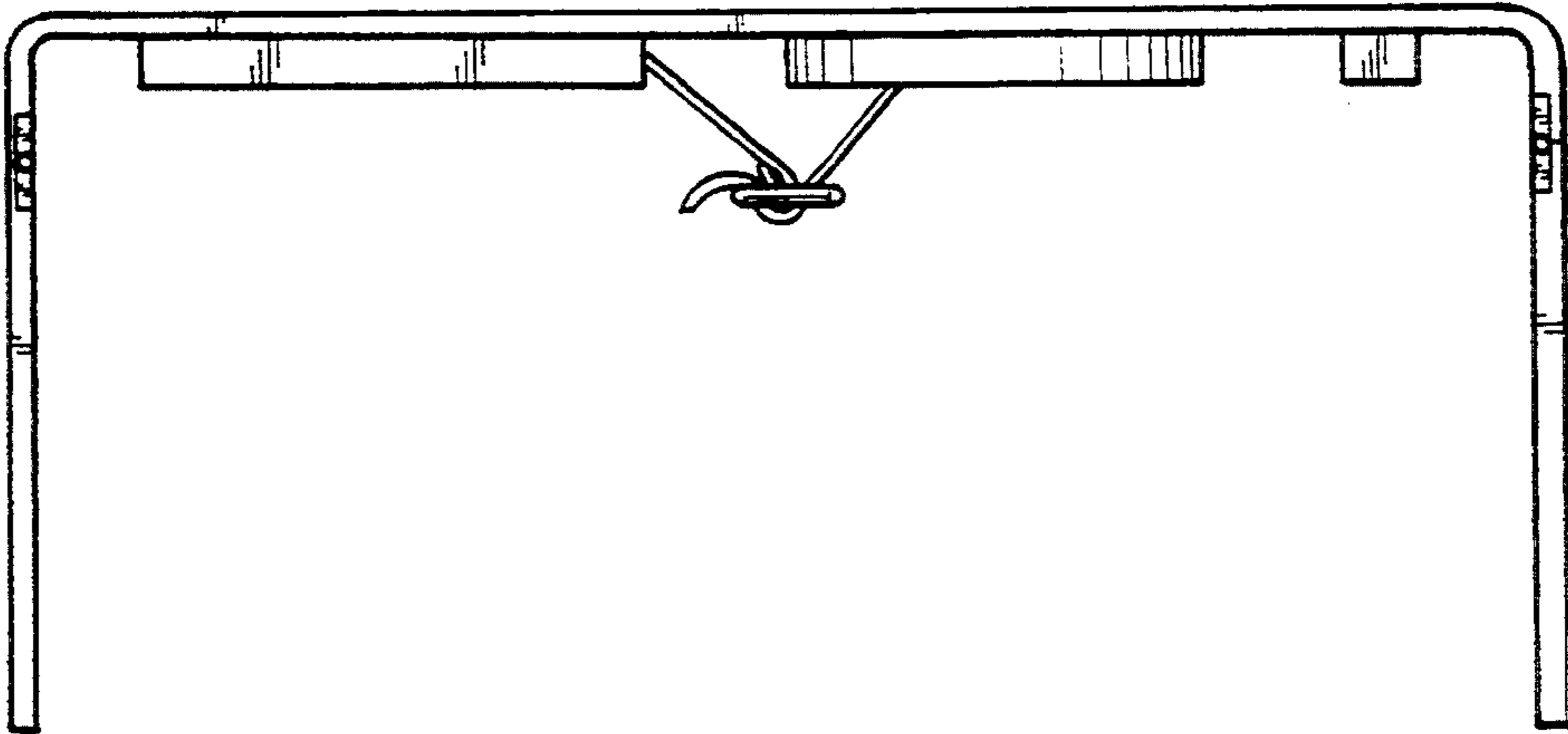


FIG. 9

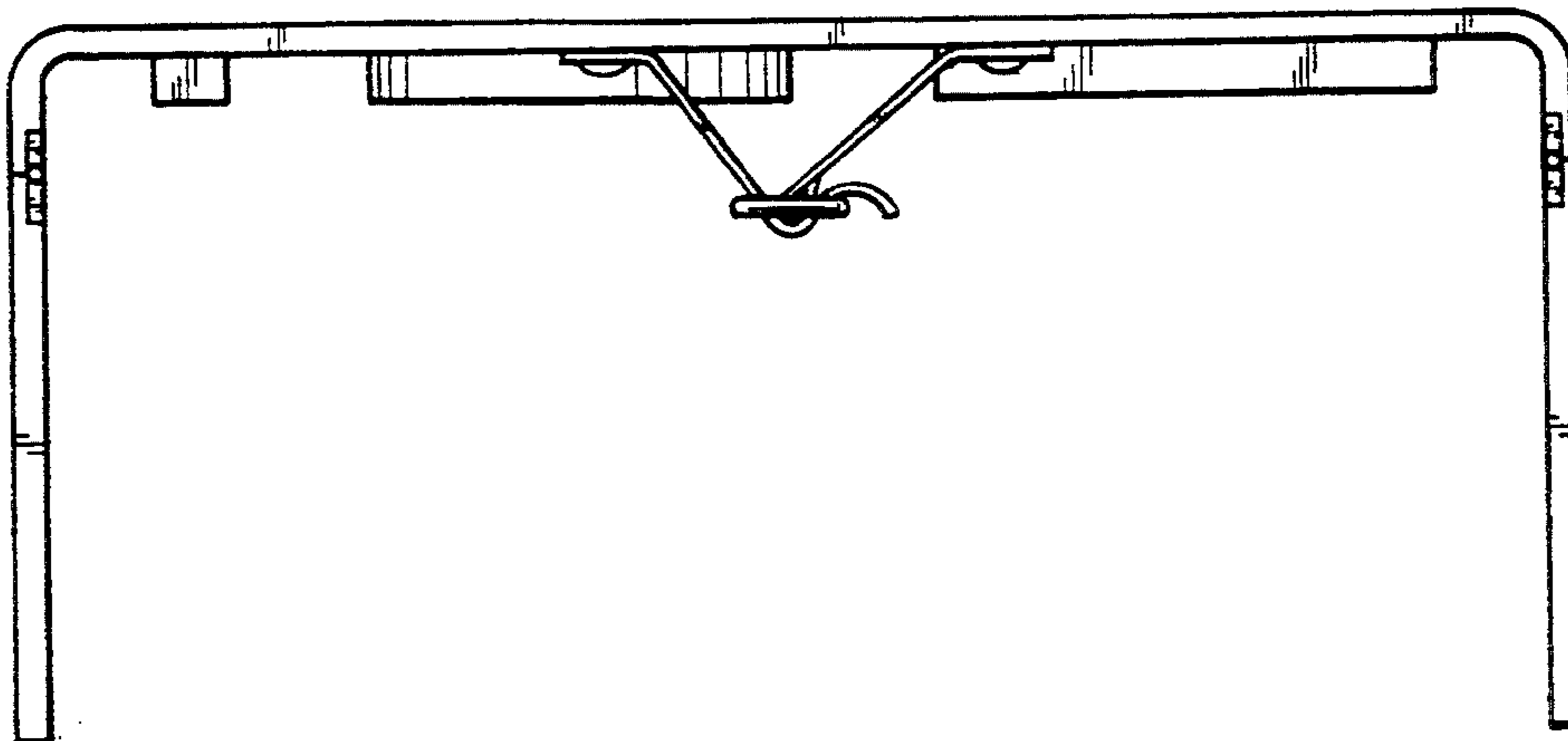


FIG. 10

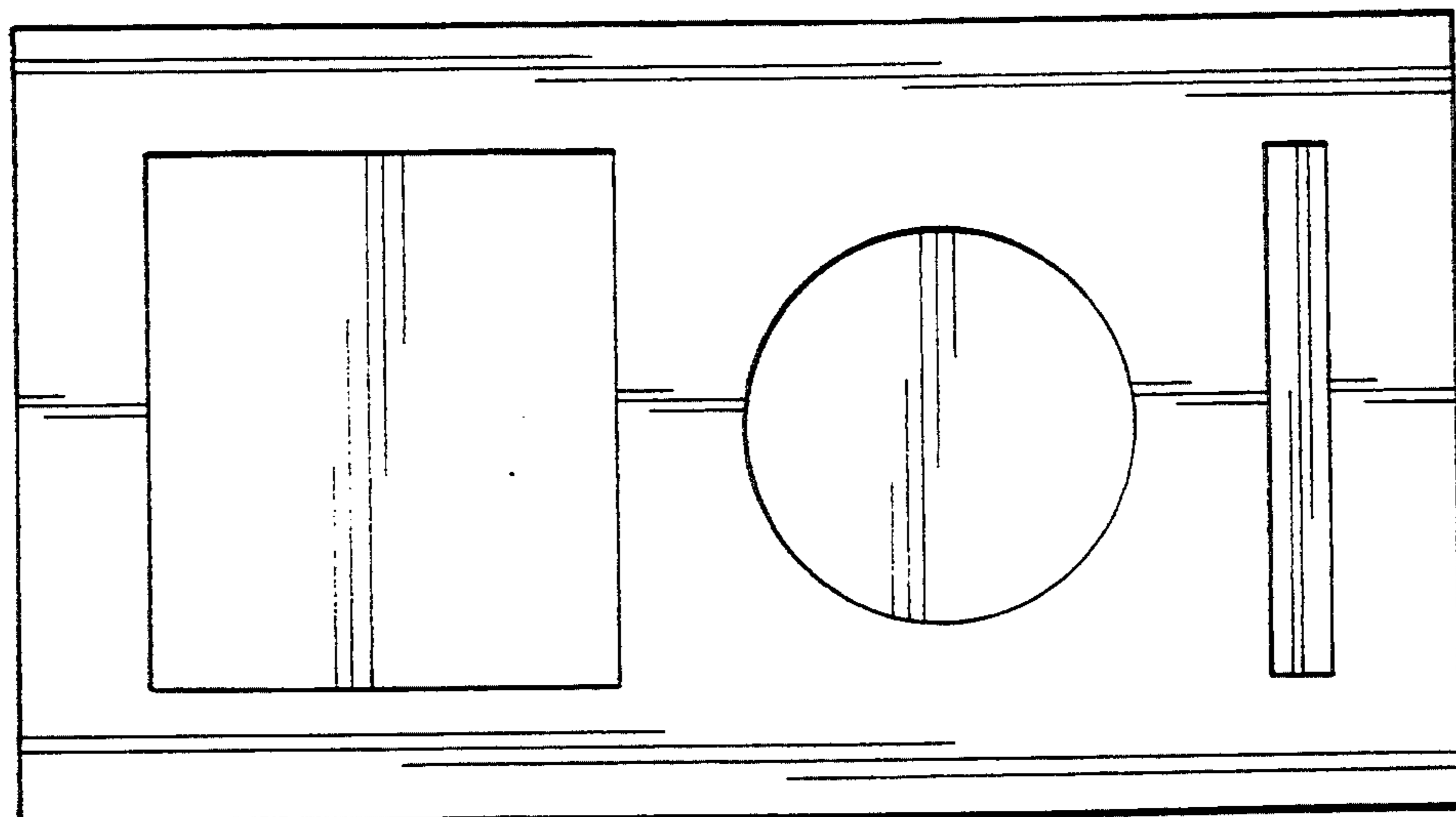


FIG 11

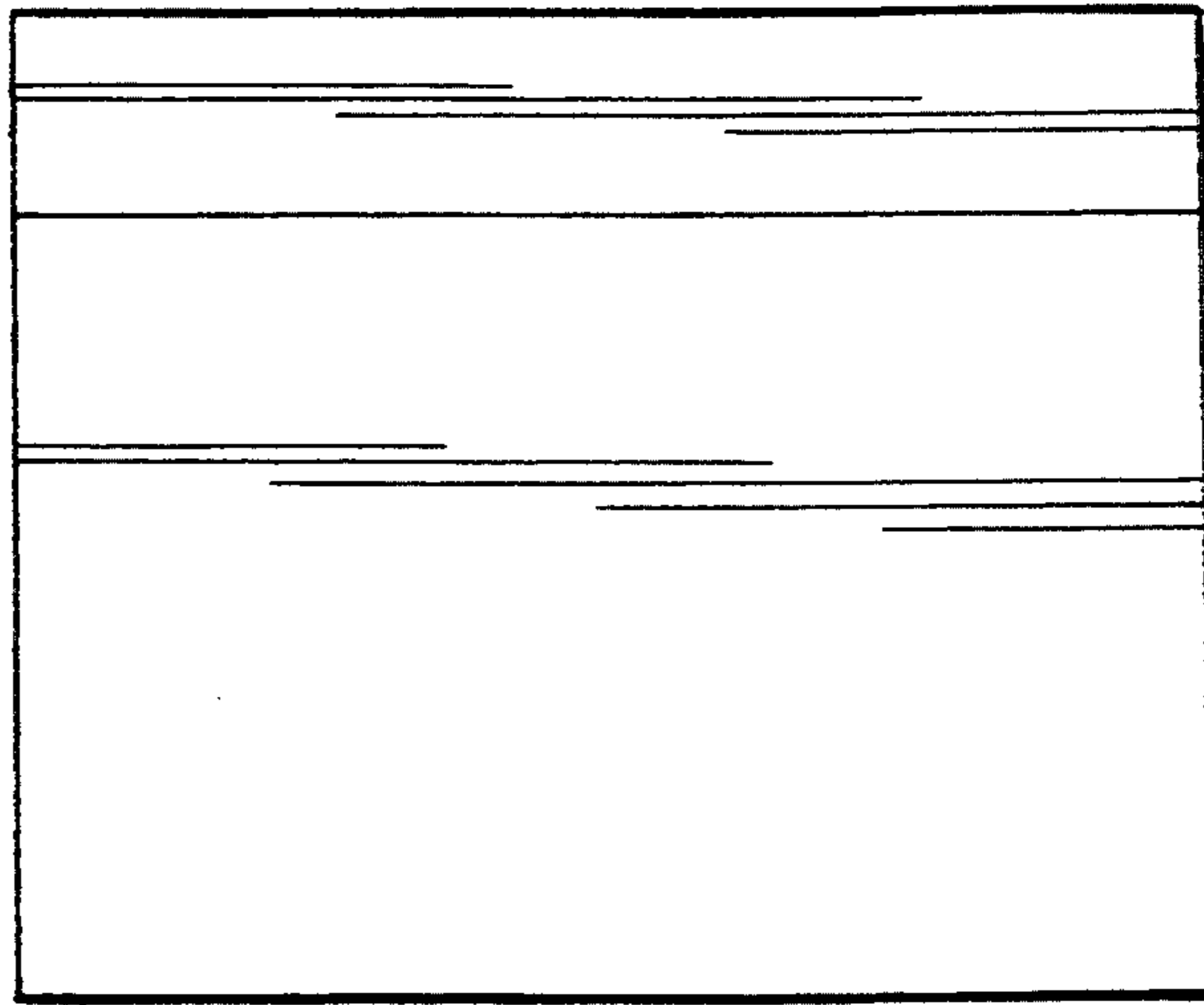


FIG. 12

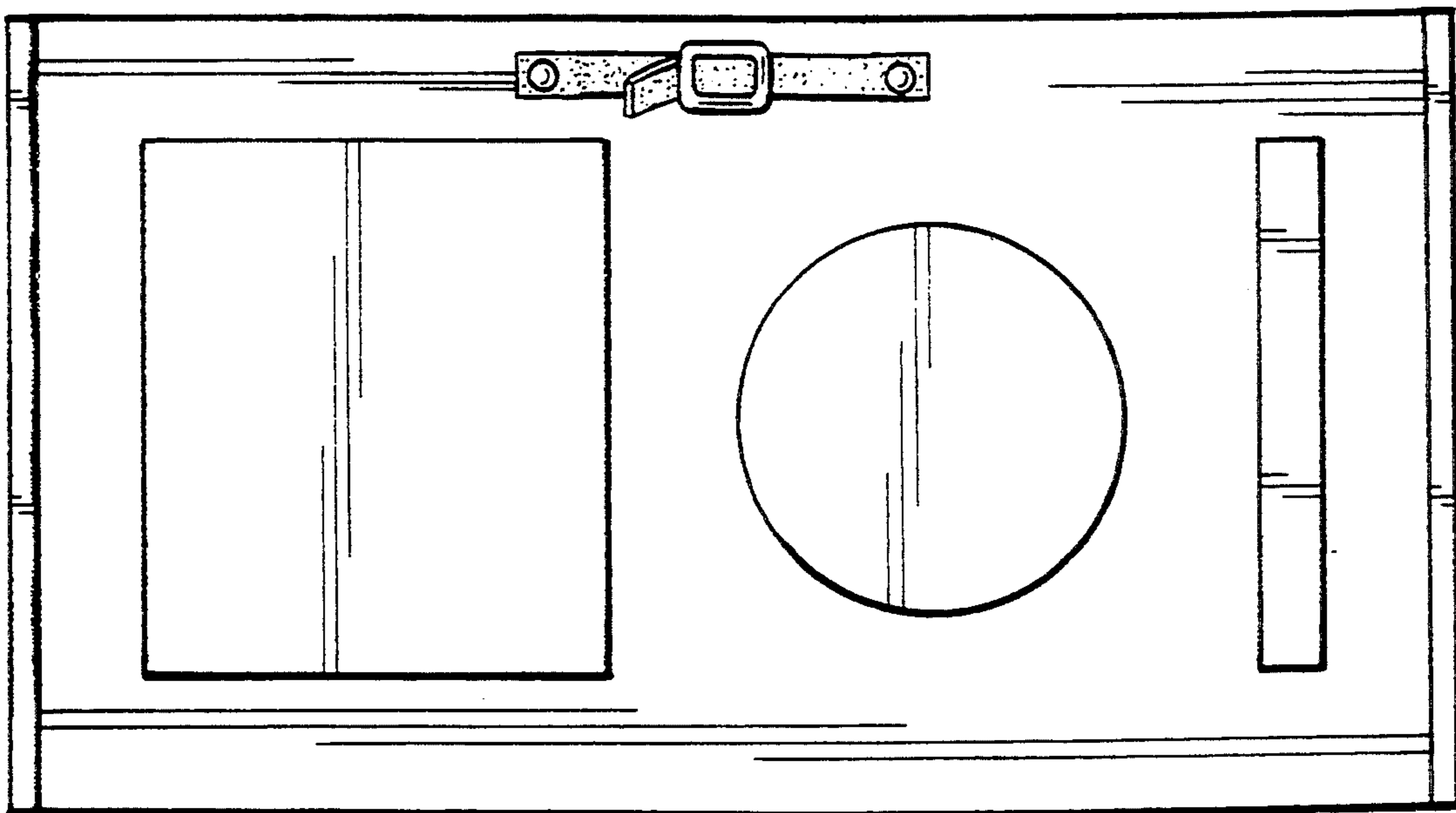


FIG. 13