



US00D359861S

United States Patent [19]

[11] Patent Number: **Des. 359,861**

Hesener et al.

[45] Date of Patent: **** Jul. 4, 1995**

[54] **MODULAR HOLDER FOR DISPLAY OF A COMPACT DISC STORAGE CASE**

Assistant Examiner—S. Snapp
Attorney, Agent, or Firm—Keck, Mahin & Cate

[76] Inventors: **Walter Hesener**, 66, rue de la Prulay, CH-1217 Meyrin-Geneva; **Ursula Hesener**, via delle scuole 1, CH-6906 Lugano-Cassarate, both of Switzerland

[57] **CLAIM**

The ornamental design for a modular holder for display of a compact disc storage case, as shown and described.

[**] Term: **14 Years**

DESCRIPTION

[21] Appl. No.: **13,172**

FIG. 1 is a front plan view of a modular holder for display of a compact disc storage case according to my invention;

[22] Filed: **Sep. 17, 1993**

FIG. 2 is a front plan view thereof having a clip attached for attachment of another modular holder thereto;

[30] **Foreign Application Priority Data**

FIG. 3 is a rear plan view thereof;

Mar. 19, 1993 [CH] Switzerland 120395

FIG. 4 is a rear plan view thereof having a clip attached for attachment of another modular holder thereto;

[52] U.S. Cl. **D6/407**

FIG. 5 is a left side elevational view thereof;

[58] Field of Search D6/396, 405, 407, 626, D6/629, 630, 462, 466, 467, 468, 477, 479; D14/120, 121; D19/8, 27, 75, 76, 91; 206/387; 211/40, 41, 42

FIG. 6 is a left side elevational view thereof with attached clip;

[56] **References Cited**

U.S. PATENT DOCUMENTS

3,487,919	1/1970	Elliott et al.	206/387 X
3,777,881	12/1973	Schwartz	206/387
4,365,708	12/1982	Tyus	206/387 X
4,426,056	1/1984	Gelardi et al.	206/387 X
4,511,034	4/1985	Pan	206/387 X
4,940,147	7/1990	Hunt	211/40
4,951,826	8/1990	Tompkins	211/40
5,040,687	8/1991	Whittington	211/40

FIG. 7 is a right side elevational view thereof;

FIG. 8 is a right side elevational view thereof with attached clip;

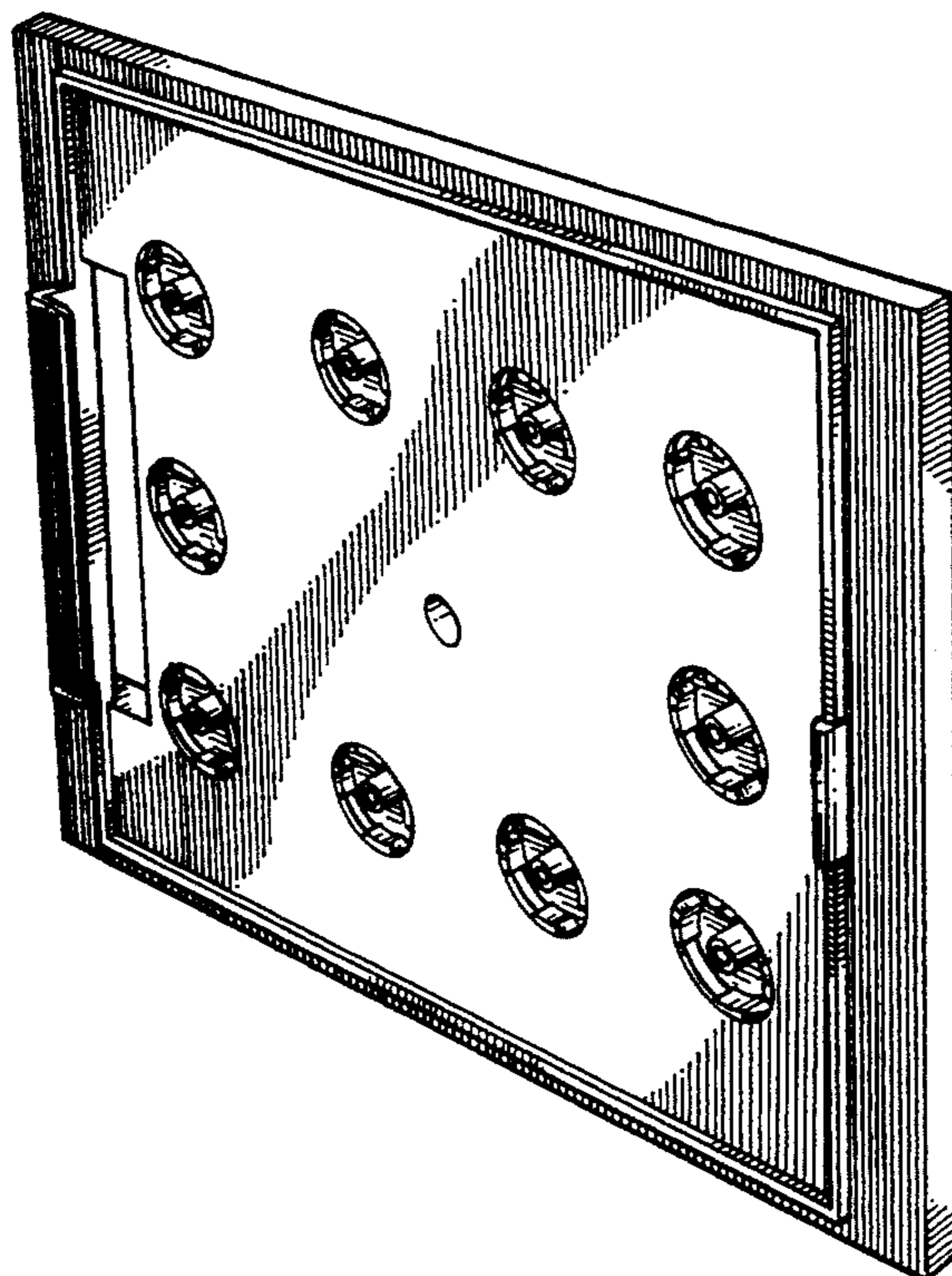
FIG. 9 is a bottom plan view thereof, the top plan view being a mirror image of FIG. 9;

FIG. 10 is a bottom plan view thereof with attached clip, the top plan view being a mirror image of FIG. 10;

FIG. 11 is a front perspective view thereof; and, FIG. 12 is a front plan view showing a modular holder of the invention joined with a clip to other said modular holders, shown in broken lines to illustrate the environment of use.

Together with clips bent in the form of a right angle the modular holder allows to build cube like combinations.

Primary Examiner—Alan P. Douglas



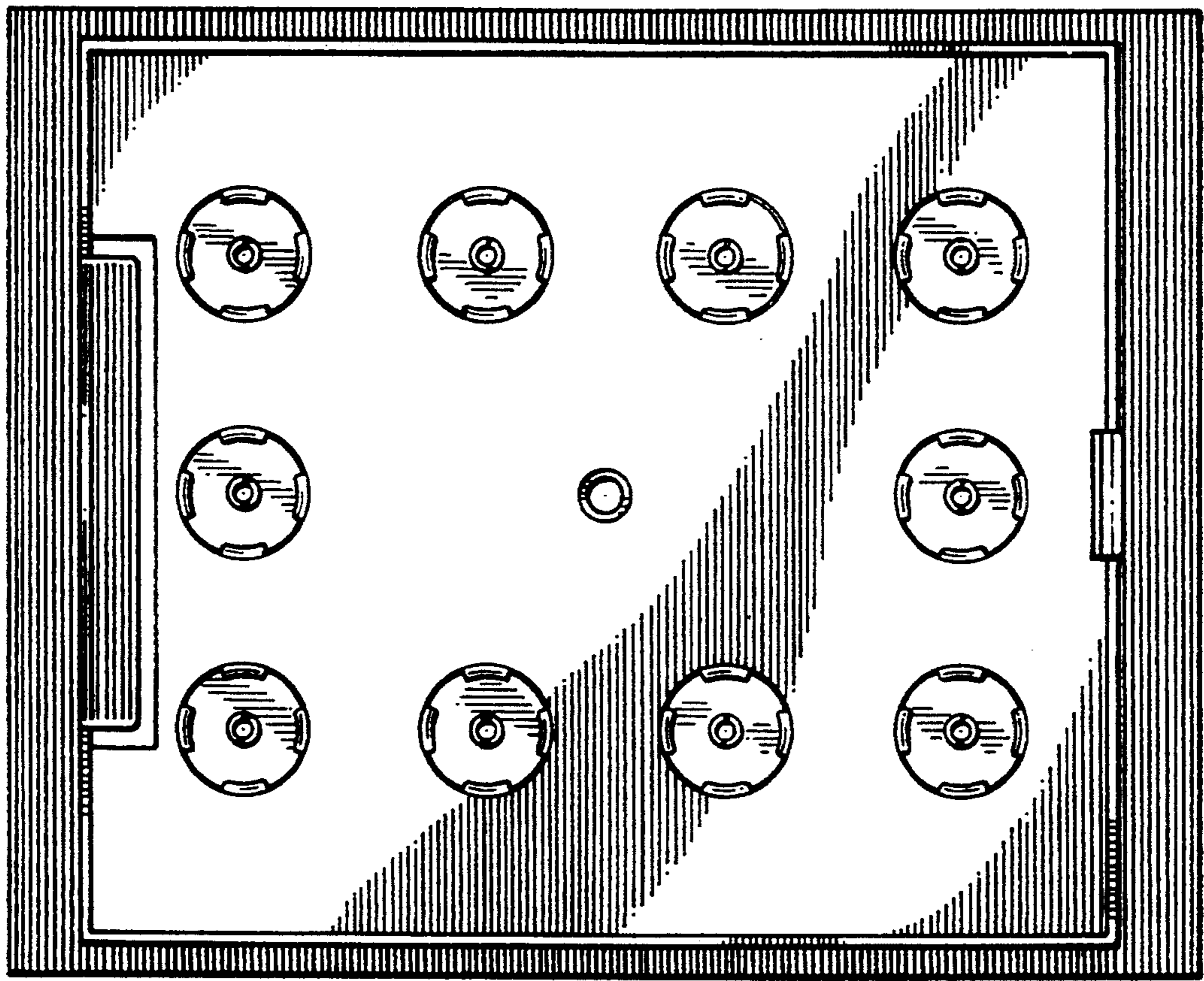


FIG. 1

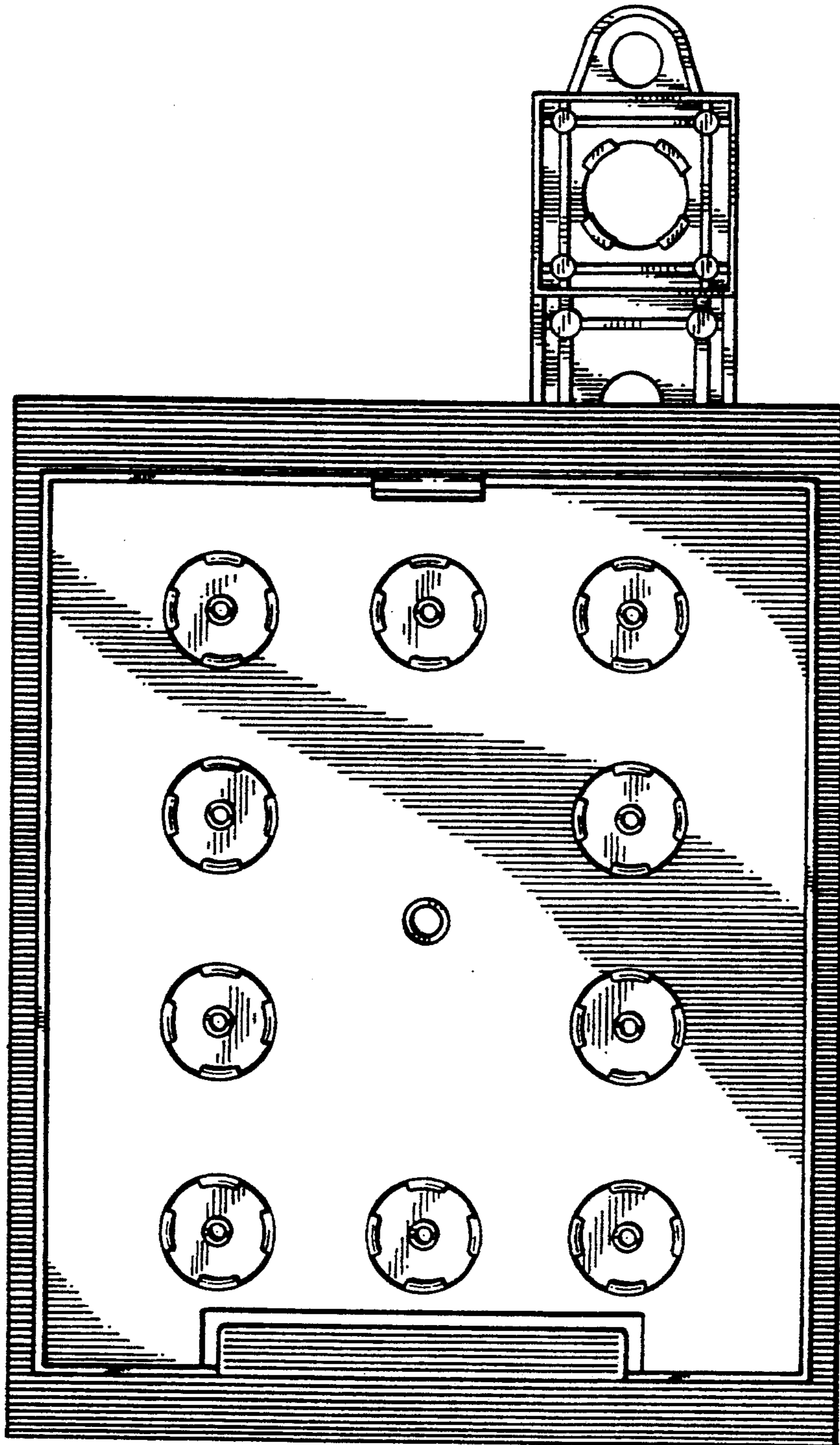


FIG. 2

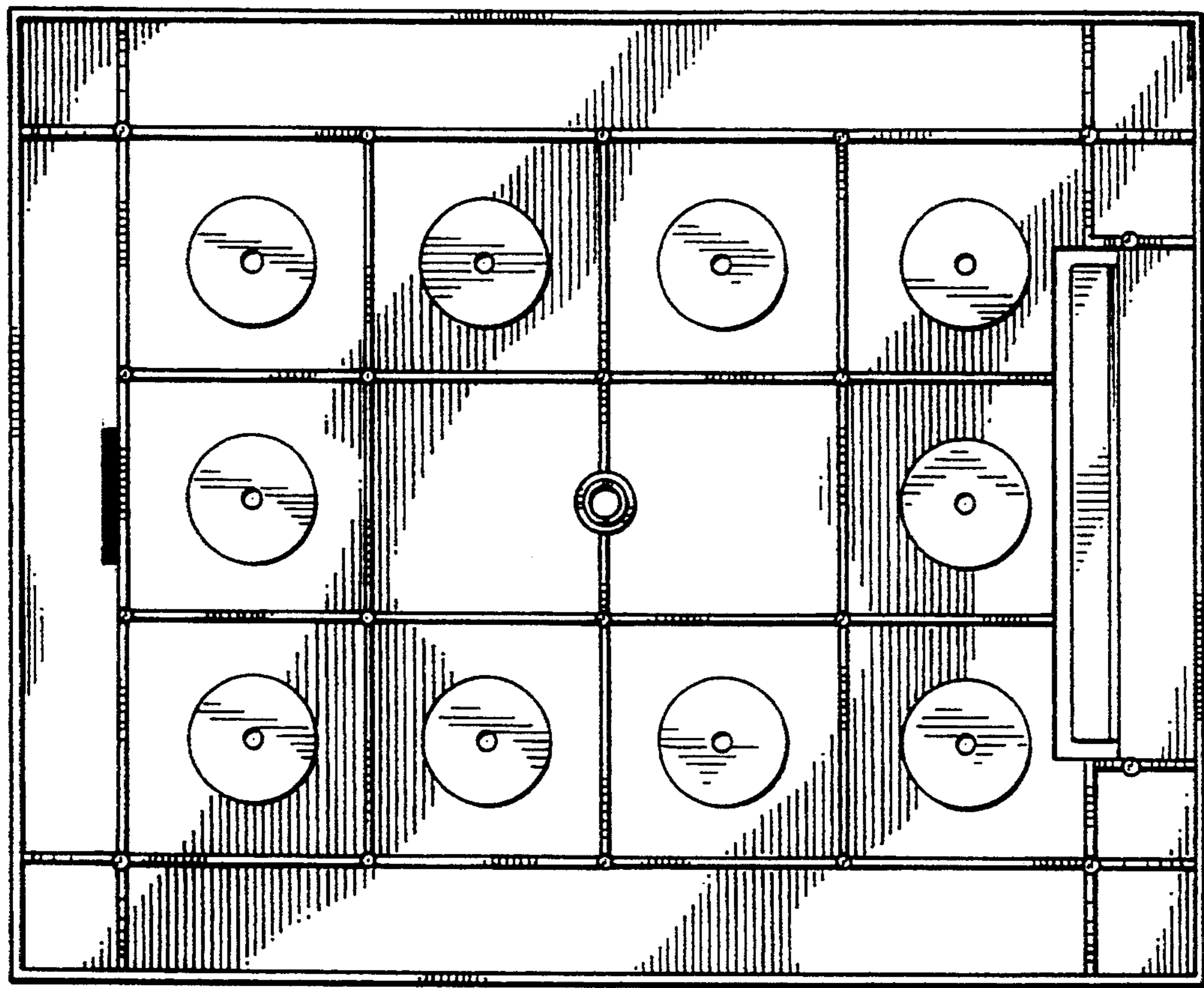


FIG. 3

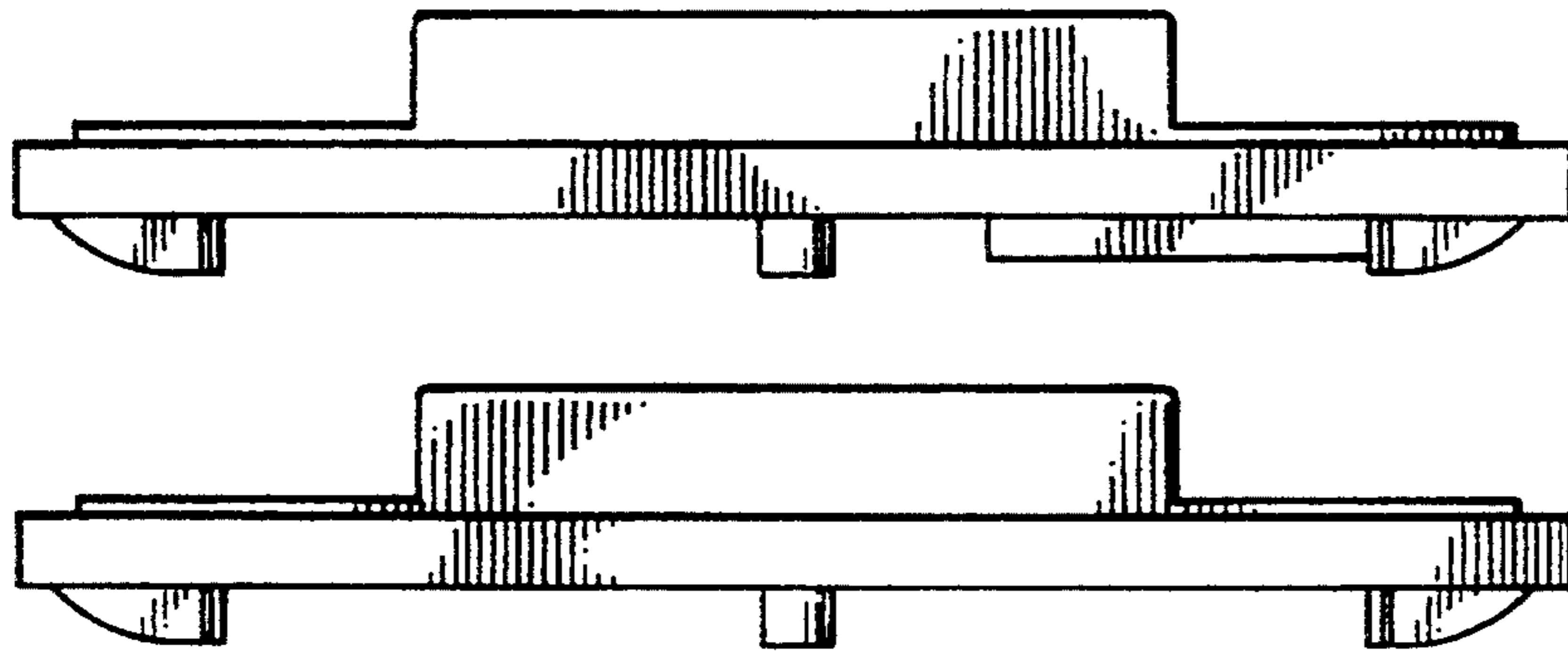


FIG. 5 FIG. 6

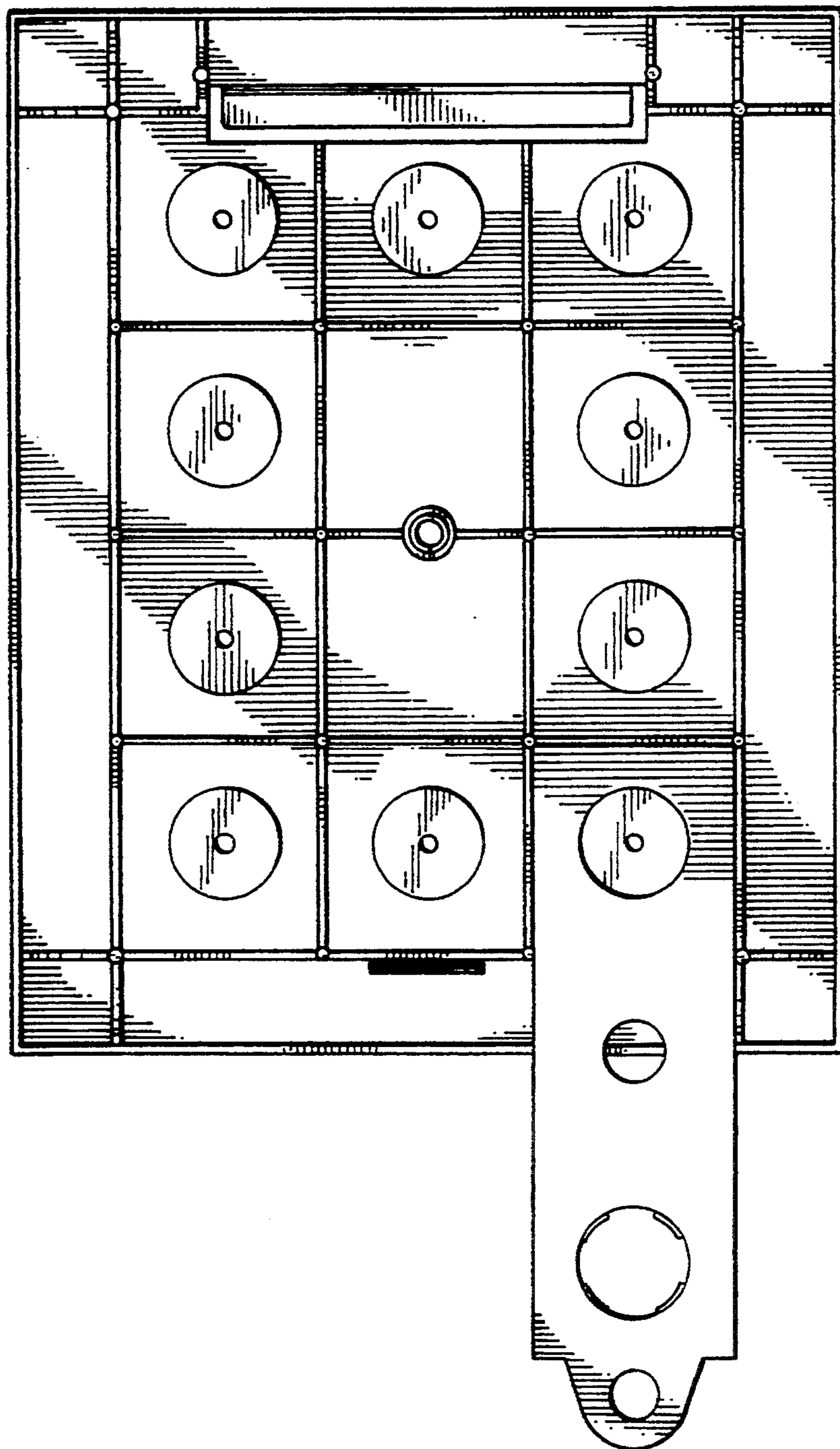


FIG. 4

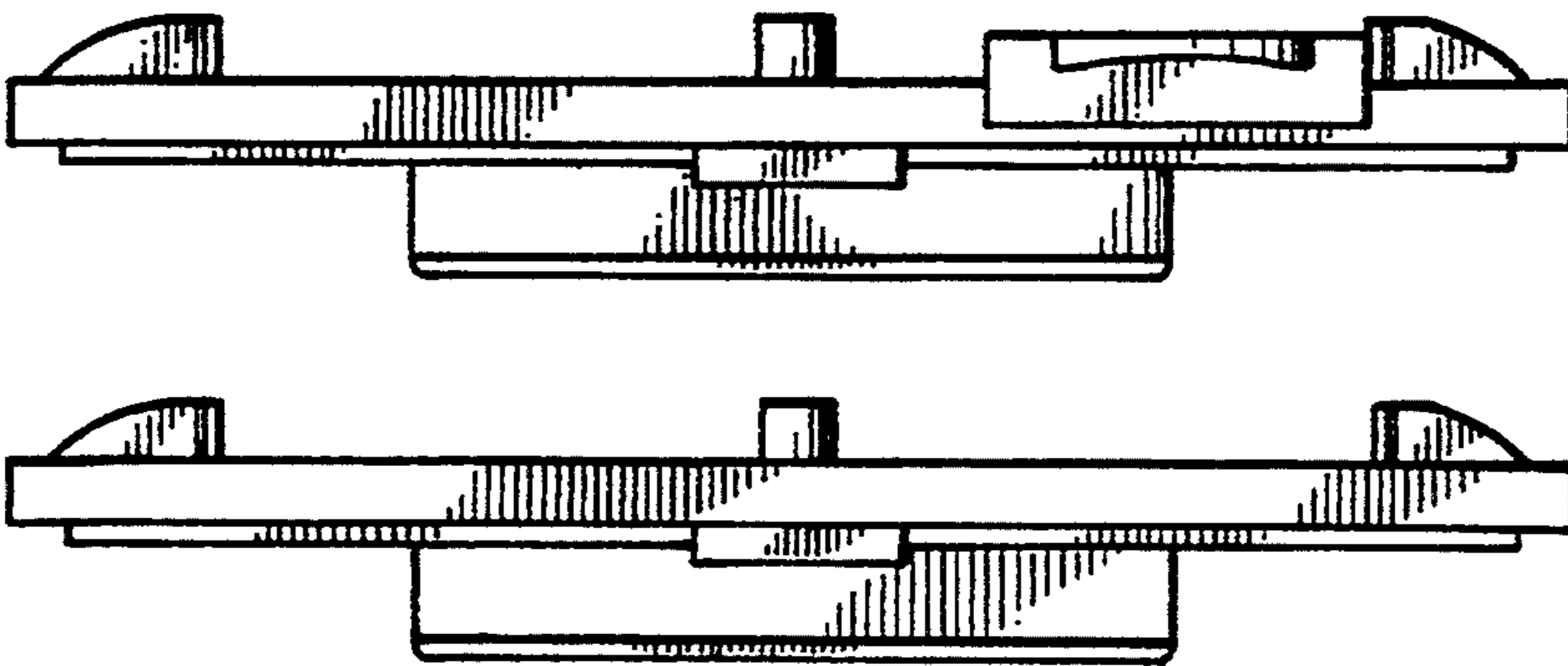


FIG. 7 FIG. 8

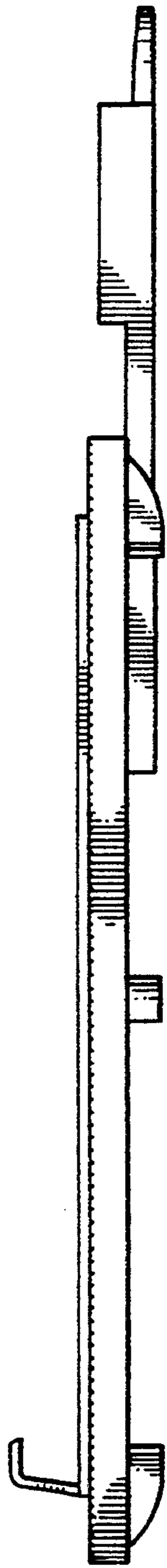


FIG. 10

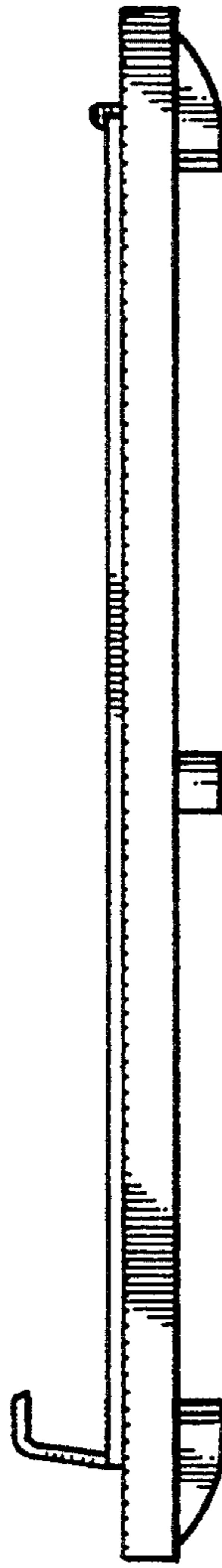


FIG. 9

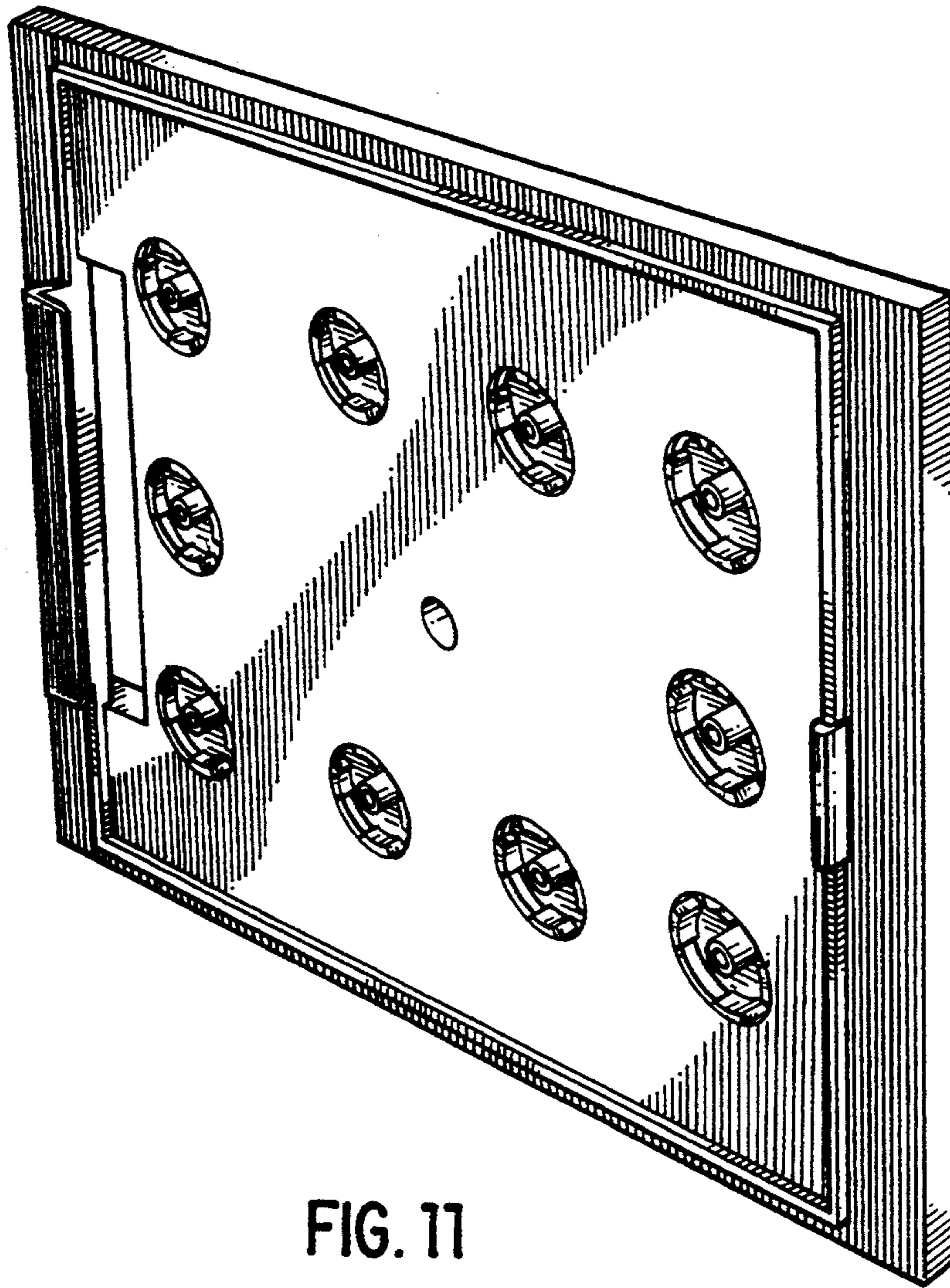


FIG. 11

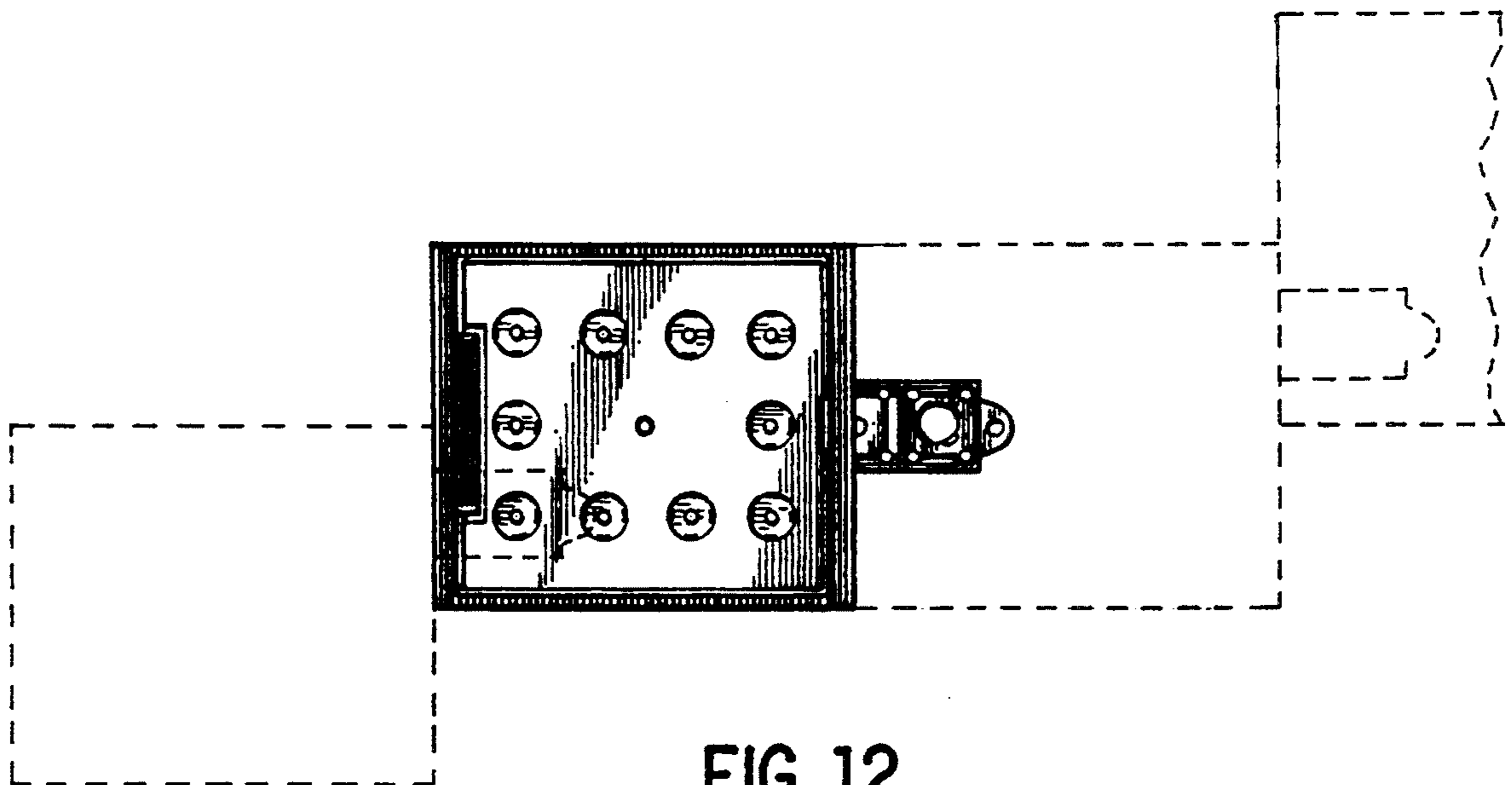


FIG. 12