



US00D359852S

United States Patent [19]
Wicks

[11] **Patent Number: Des. 359,852**
[45] **Date of Patent: ** Jul. 4, 1995**

[54] **MAGNETO-OPTICAL DISK DRIVE UNIT**

[75] **Inventor: James Wicks, Hoboken, N.J.**
[73] **Assignee: Sony Electronics, Inc., Park Ridge, N.J.**
[**] **Term: 14 Years**

[21] **Appl. No.: 27,555**

[22] **Filed: Aug. 24, 1994**

[52] **U.S. Cl. D14/109**

[58] **Field of Search D14/100, 107-109; D13/162, 184, 199; 312/208.1, 223.2, 223.3, 194; 360/97.01, 97.04, 98.01, 99.01, 99.12; 361/600, 622, 724-728**

[56] **References Cited**

U.S. PATENT DOCUMENTS

D. 308,966 7/1990 Alfonso et al. D14/109
D. 354,482 1/1995 Matsumoto D14/109

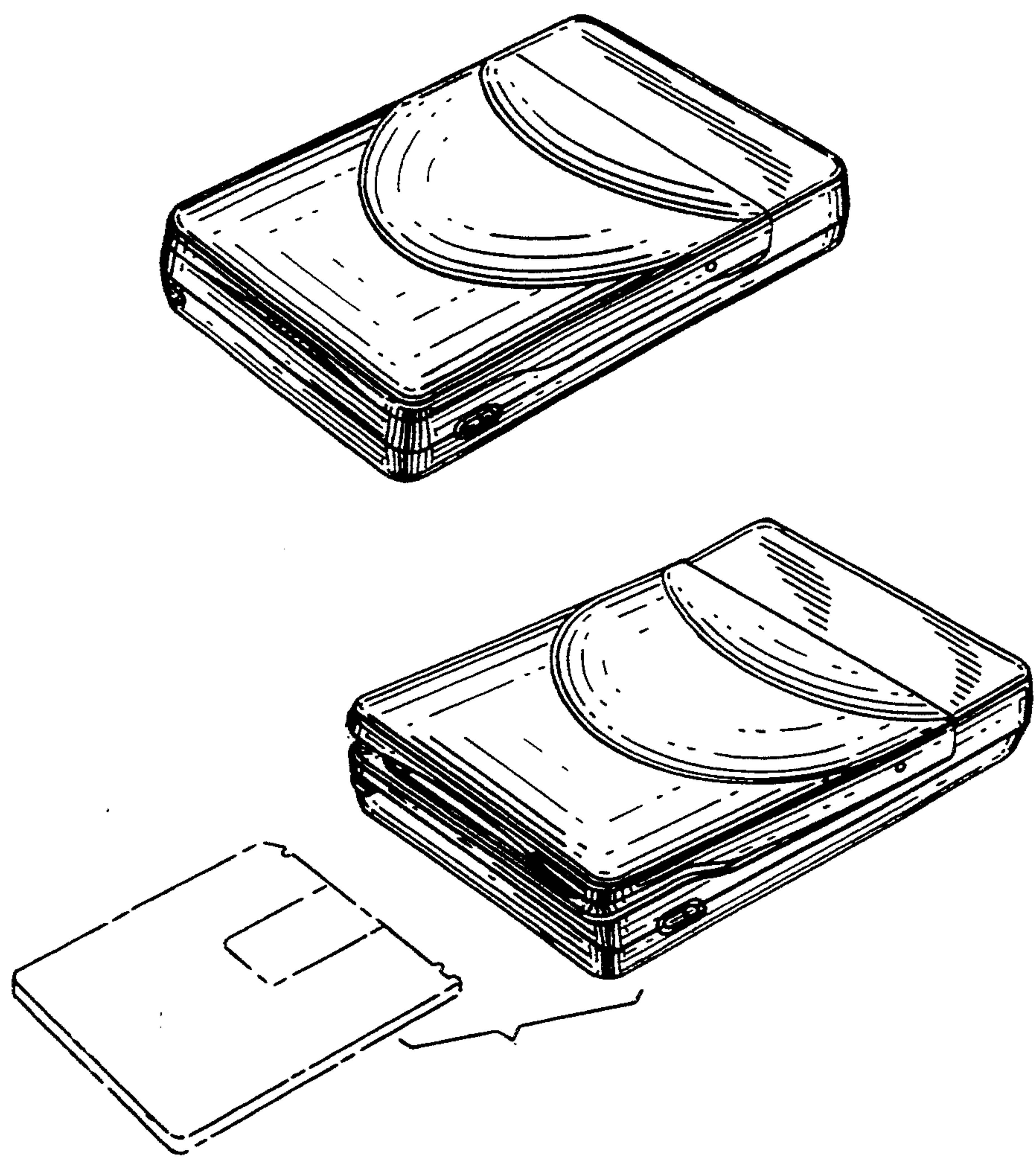
Primary Examiner—Freda S. Nunn
Attorney, Agent, or Firm—Jay H. Maioli

[57] **CLAIM**

The ornamental design for a magneto-optical disk drive unit, as shown and described.

DESCRIPTION

FIG. 1 is a top, front and right-side perspective view of a magneto-optical disk drive unit, showing my new design;
FIG. 2 is a top, front and right-side perspective view thereof, shown in the open position, the broken line showing of the disk is for environmental purposes only and forms no part of the present design;
FIG. 3 is a front elevational view thereof, shown in an enlarged scale;
FIG. 4 is a rear elevational view thereof, shown in an enlarged scale;
FIG. 5 is a left-side elevational view thereof, shown in an enlarged scale;
FIG. 6 is a right-side elevational view thereof, shown in an enlarged scale;
FIG. 7 is a top plan view thereof, shown in an enlarged scale; and,
FIG. 8 is a bottom plan view thereof, shown in an enlarged scale.



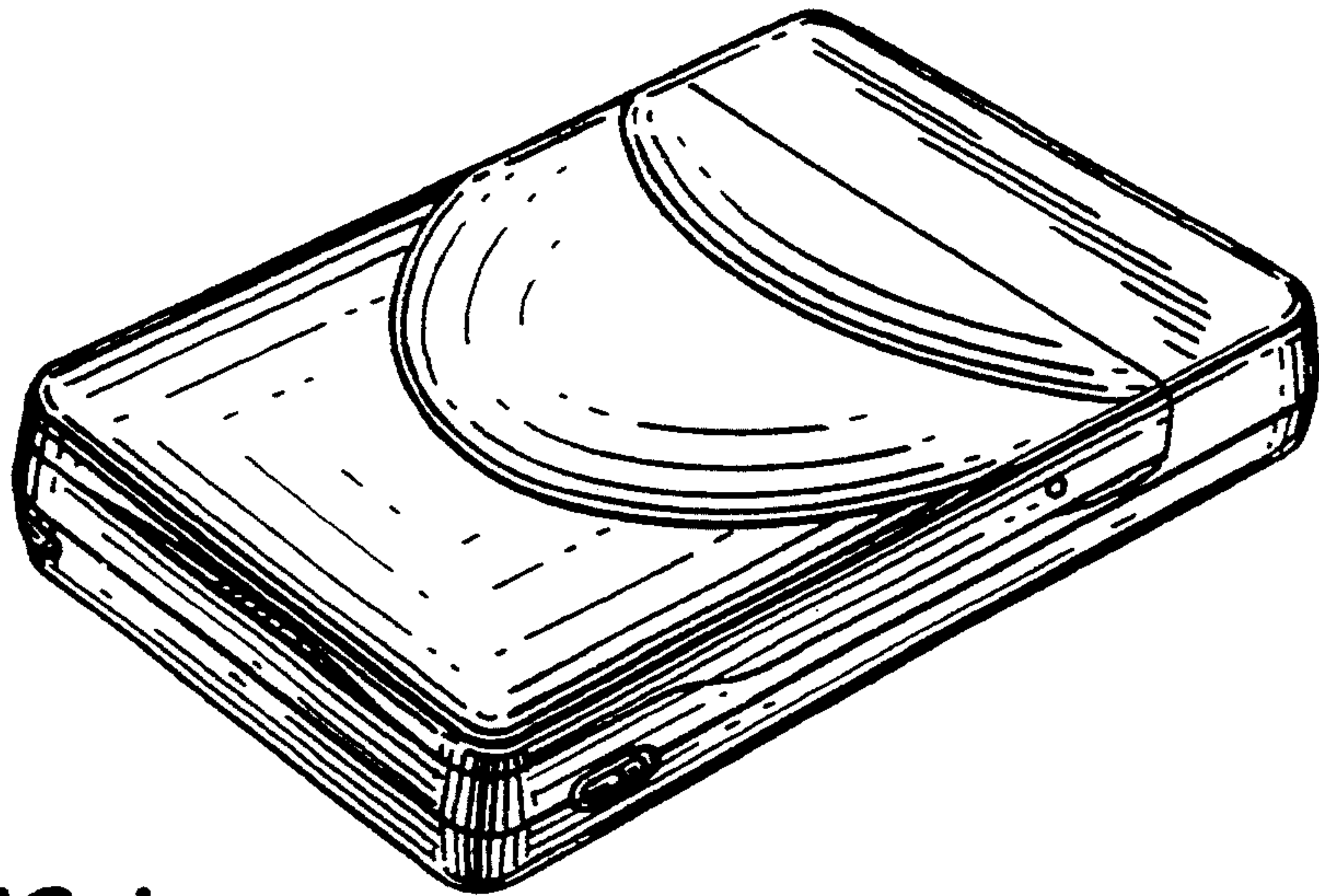


FIG. 1

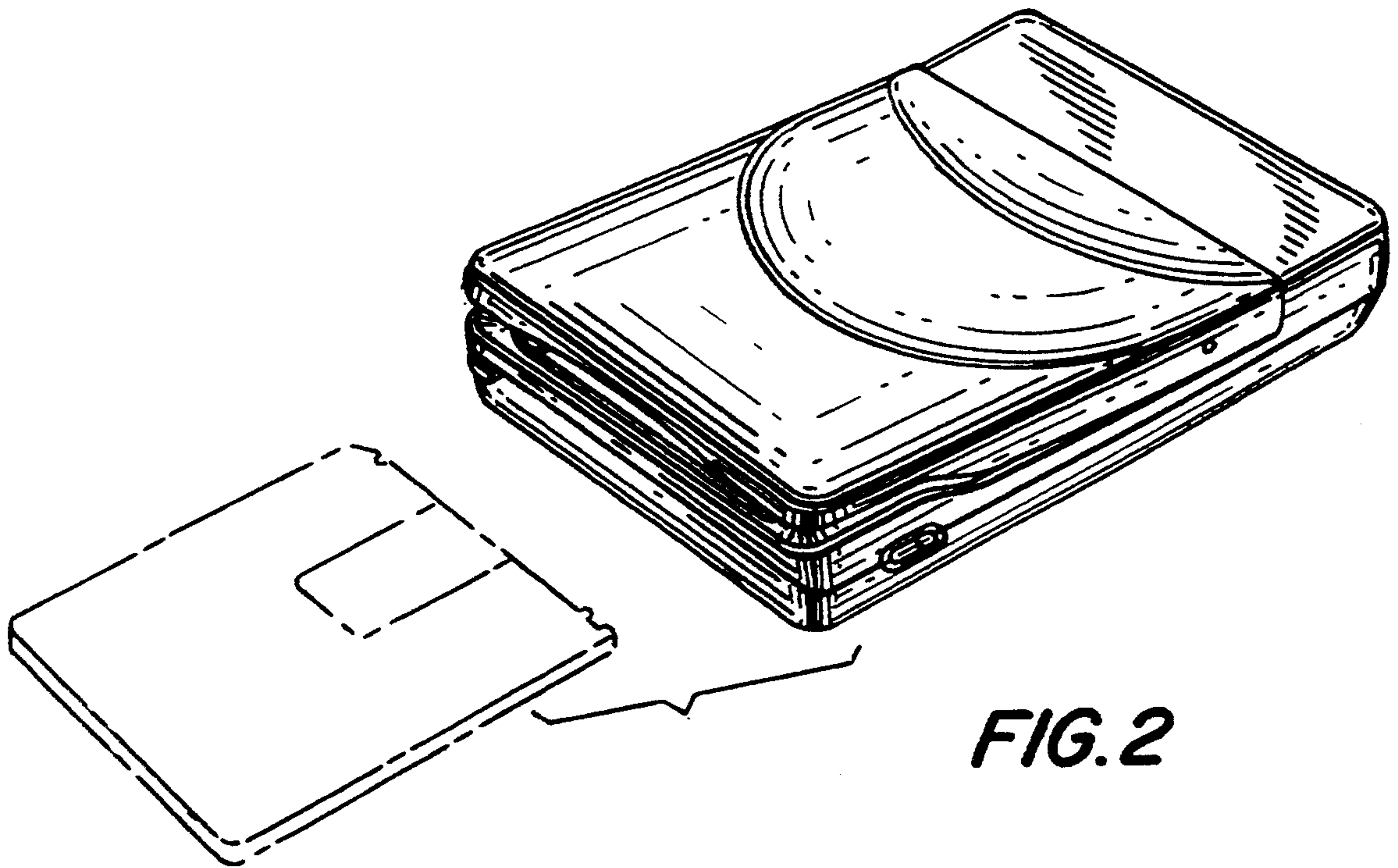


FIG. 2

FIG. 3

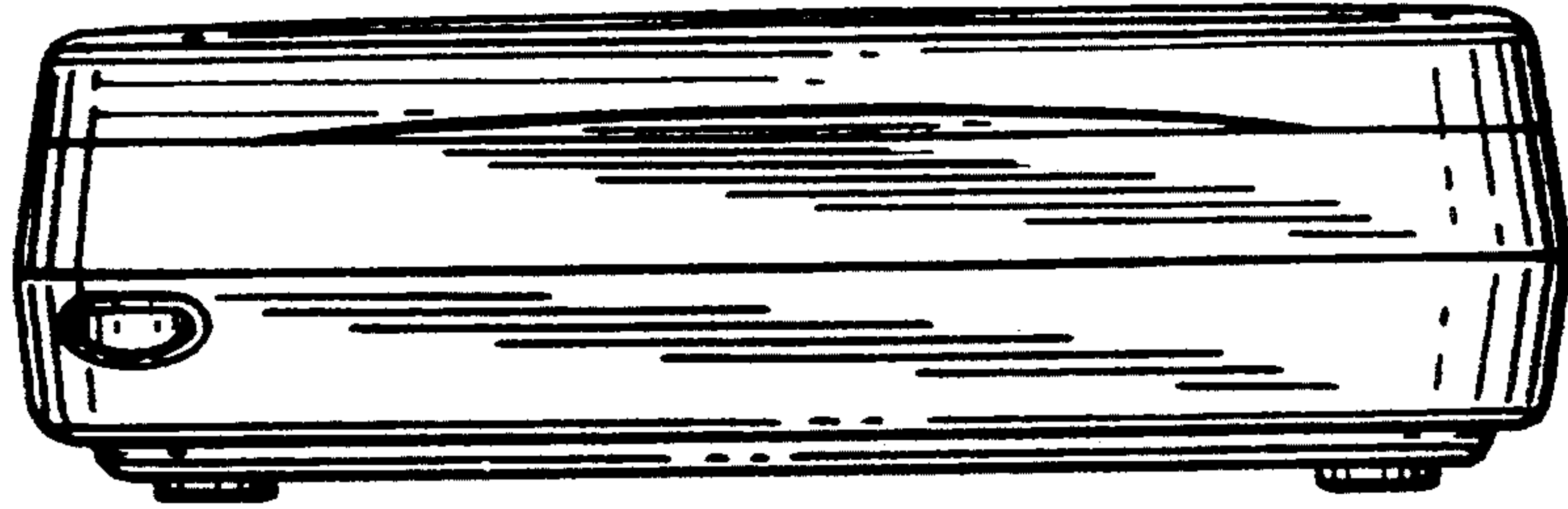


FIG. 7

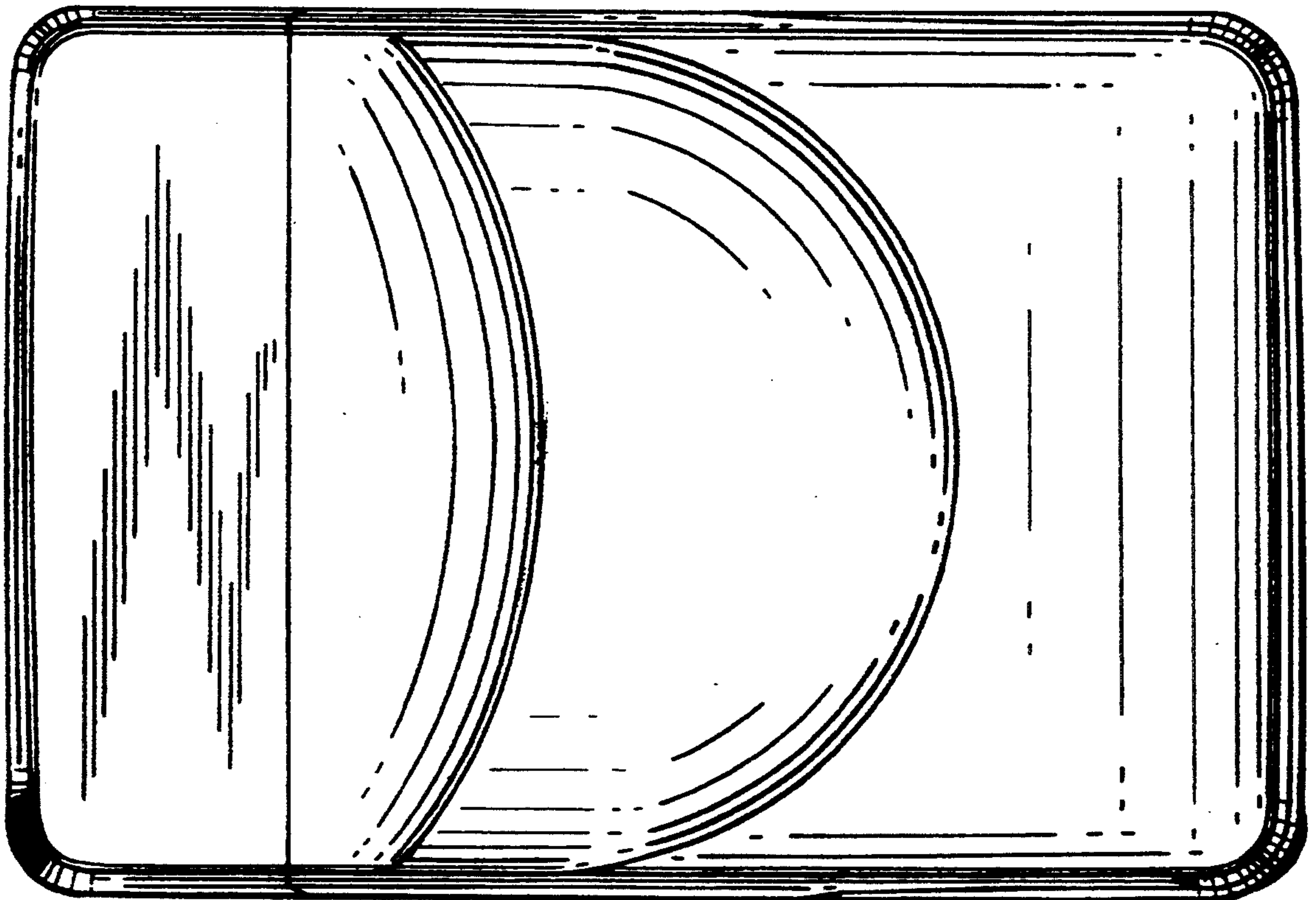


FIG. 4

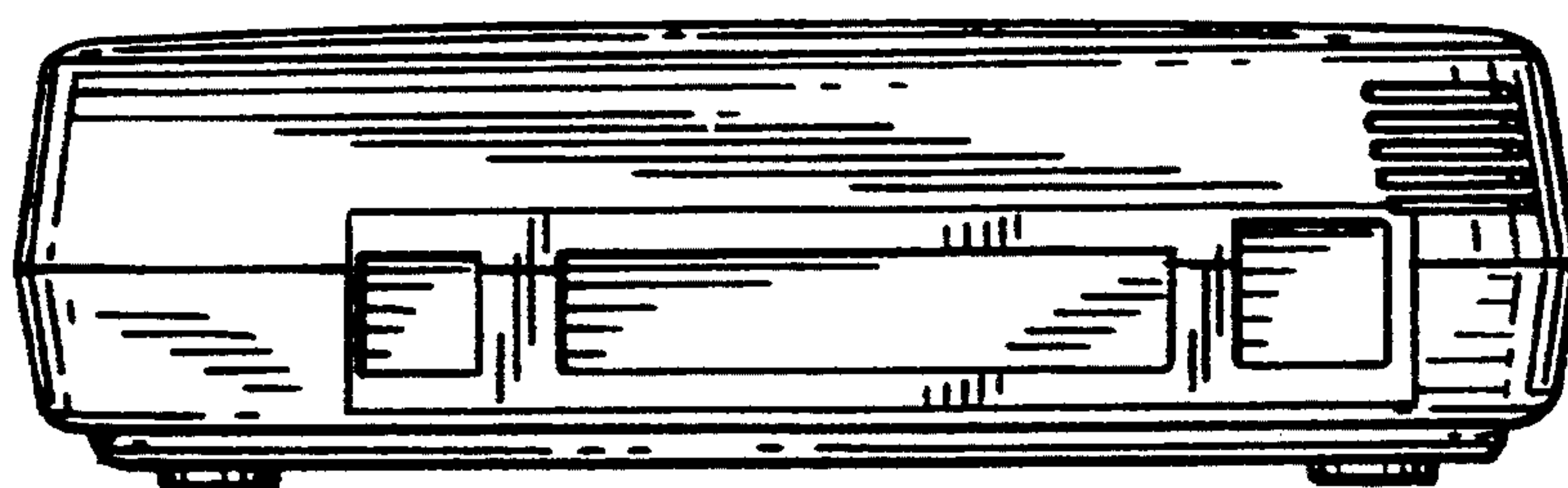


FIG. 6

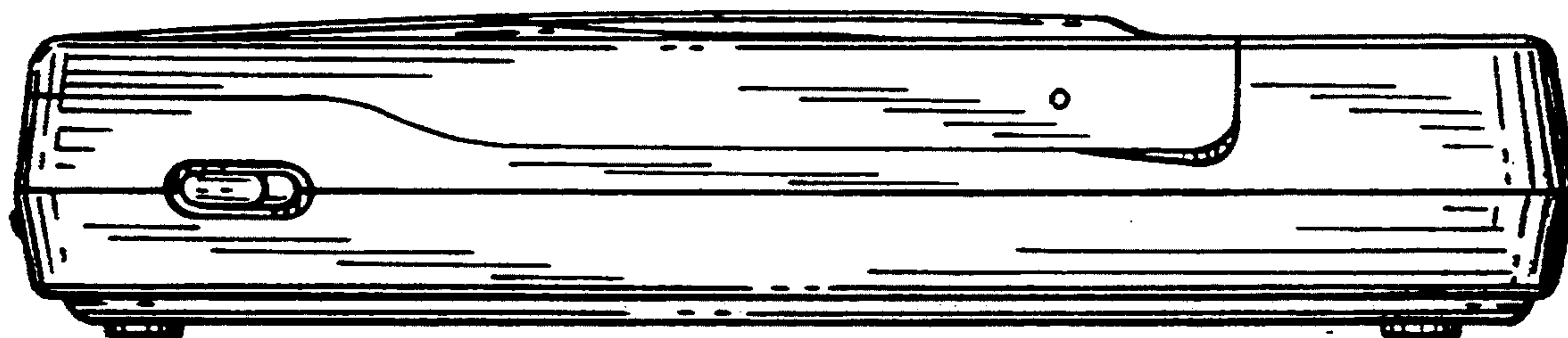


FIG. 5

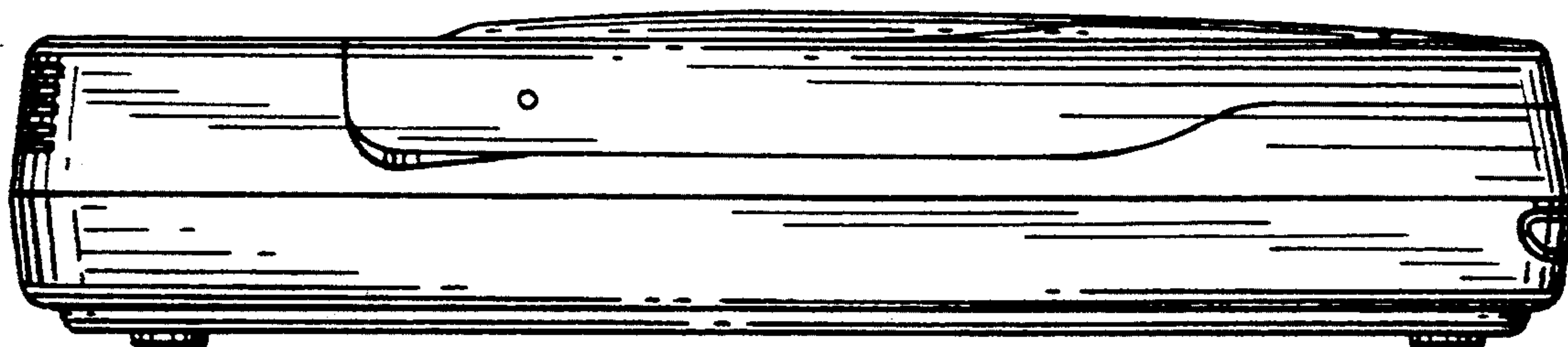


FIG. 8

