



US00D359850S

United States Patent [19]

[11] Patent Number: **Des. 359,850**

Staubitz et al.

[45] Date of Patent: **** Jul. 4, 1995**

[54] STORAGE CRATE

[56]

References Cited

U.S. PATENT DOCUMENTS

[75] Inventors: **Robert Staubitz**, Collinsville;
Timothy Repp, New Hartford, both
of Conn.

D. 231,331	4/1974	Stauble	D3/312
D. 301,201	5/1989	King	D8/320
D. 350,423	9/1994	Craft et al.	D32/37
1,234,730	7/1917	Chapman	220/676
3,270,713	9/1966	Rubricius	229/120.1 X
4,205,749	6/1980	Carroll et al.	206/507

[73] Assignee: **Tenex Corporation**, Elk Grove, Ill.

Primary Examiner—Terry A. Wallace
Assistant Examiner—Richelle Shelton
Attorney, Agent, or Firm—Niro, Scavone, Haller & Niro

[**] Term: **14 Years**

[57] CLAIM

[21] Appl. No.: **19,755**

The ornamental design for the storage crate, as shown.

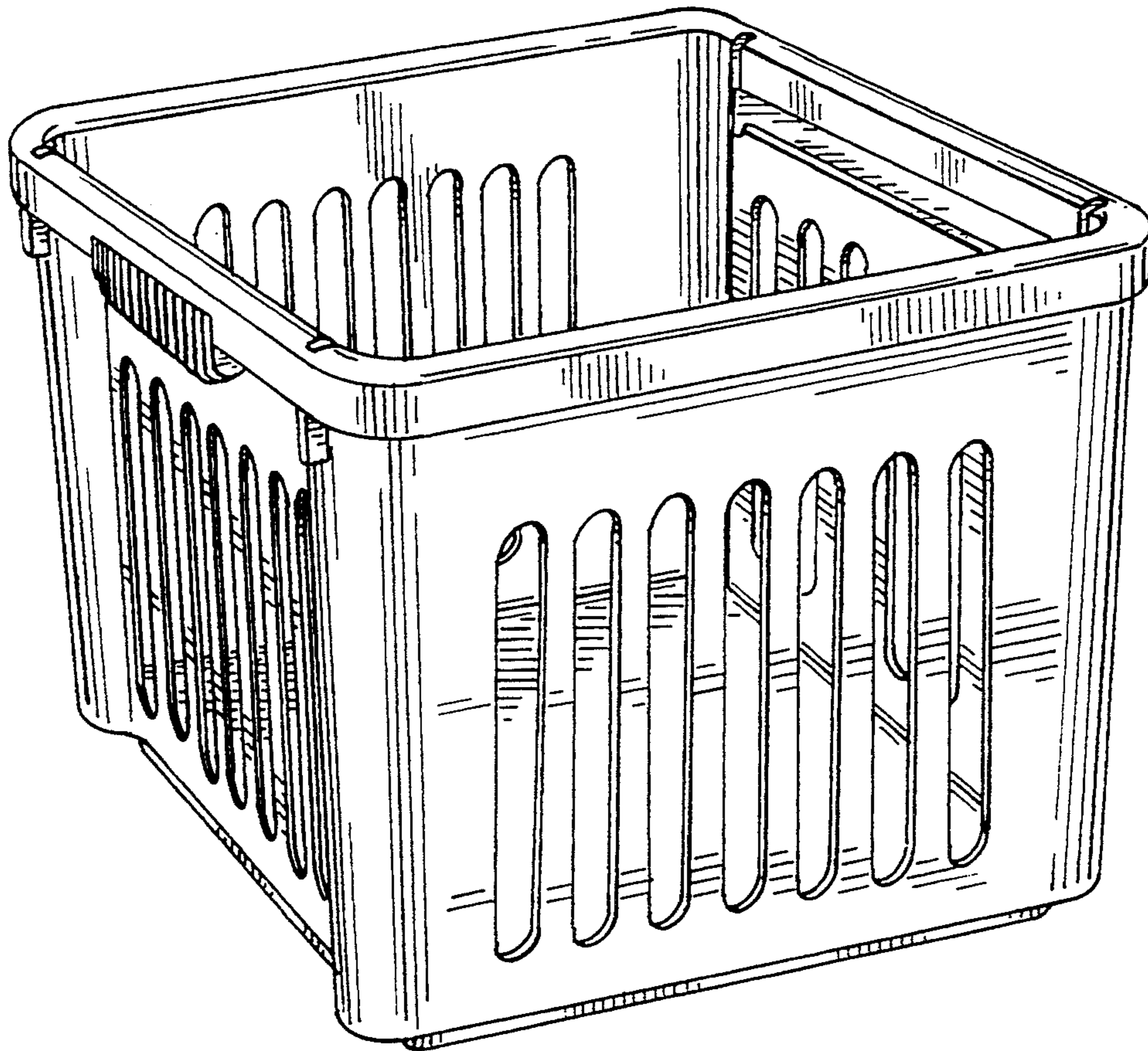
DESCRIPTION

[22] Filed: **Mar. 10, 1994**

FIG. 1 is a top front left side perspective view of a storage crate showing our new design;
FIG. 2 is a right side elevation view thereof;
FIG. 3 is a rear elevation view thereof;
FIG. 4 is a top plan view thereof; and,
FIG. 5 is a bottom plan view thereof.

[52] U.S. Cl. **D3/314**

[58] Field of Search D3/304, 307-314;
D8/320; D9/432, 443; D32/37; 206/503, 507,
510; 220/676, 752, 755, 771, 913, DIG. 2, DIG.
12, DIG. 14, DIG. 15



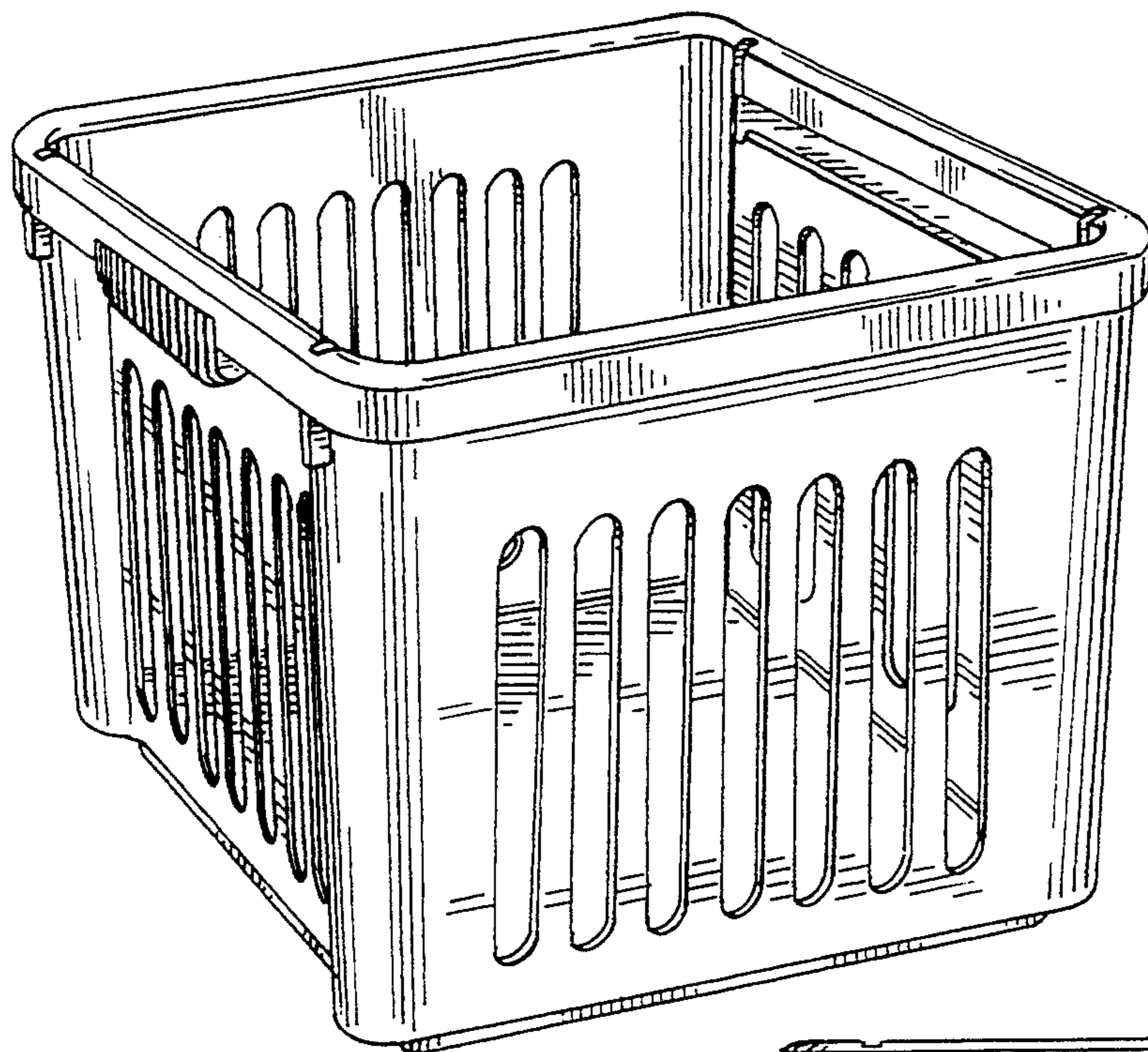


Fig. 1

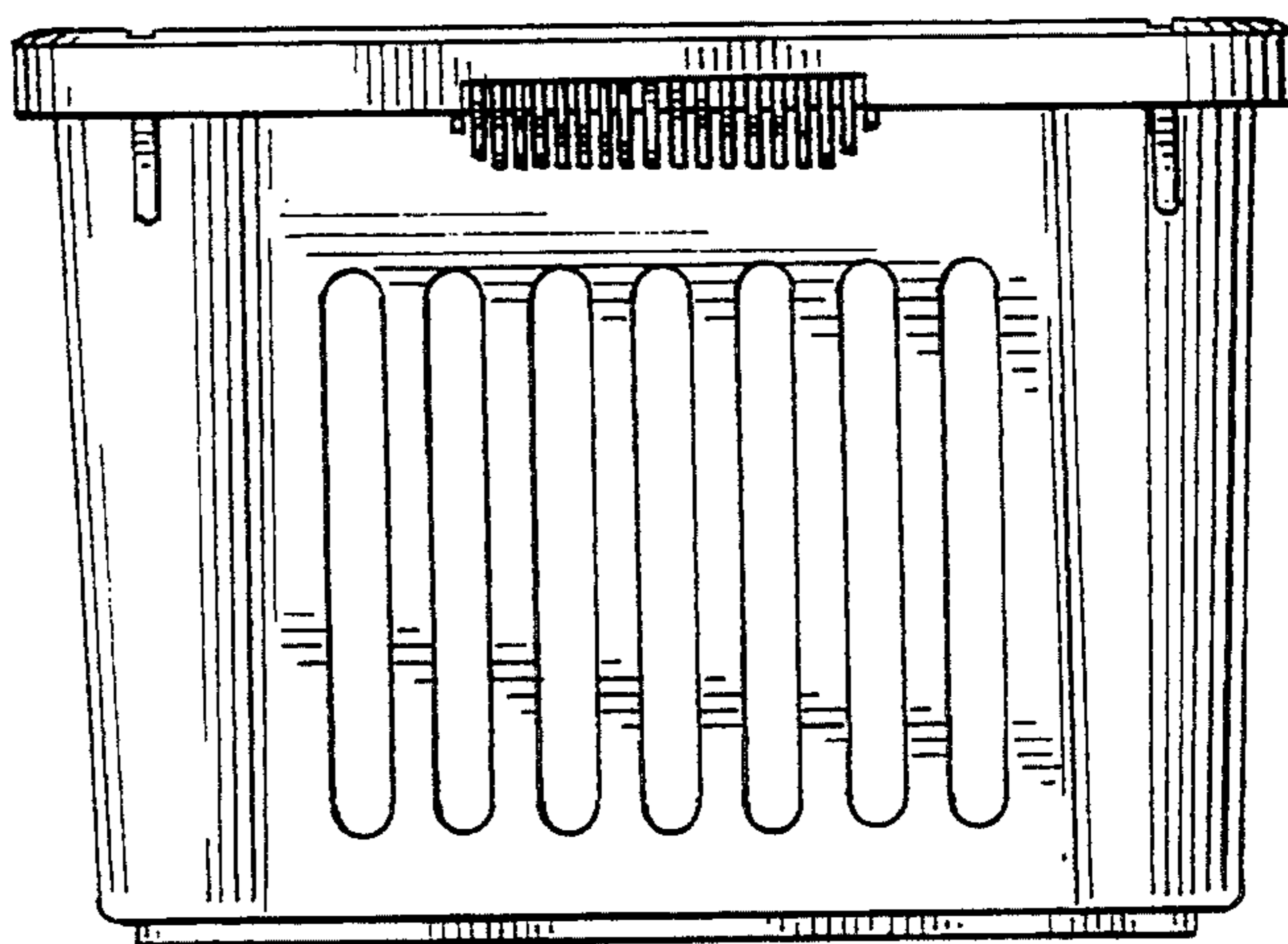


Fig. 2

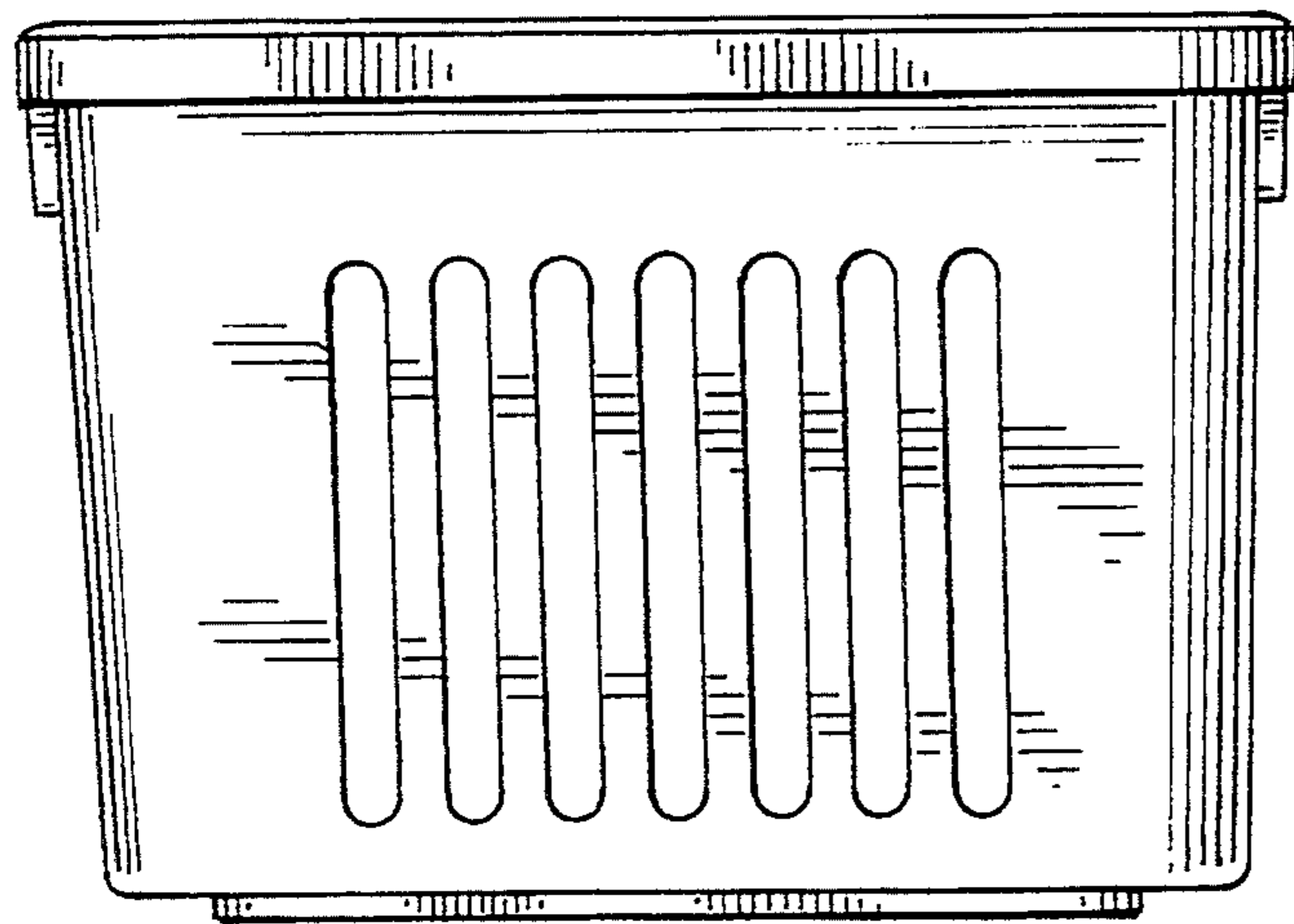


Fig. 3

Fig. 4

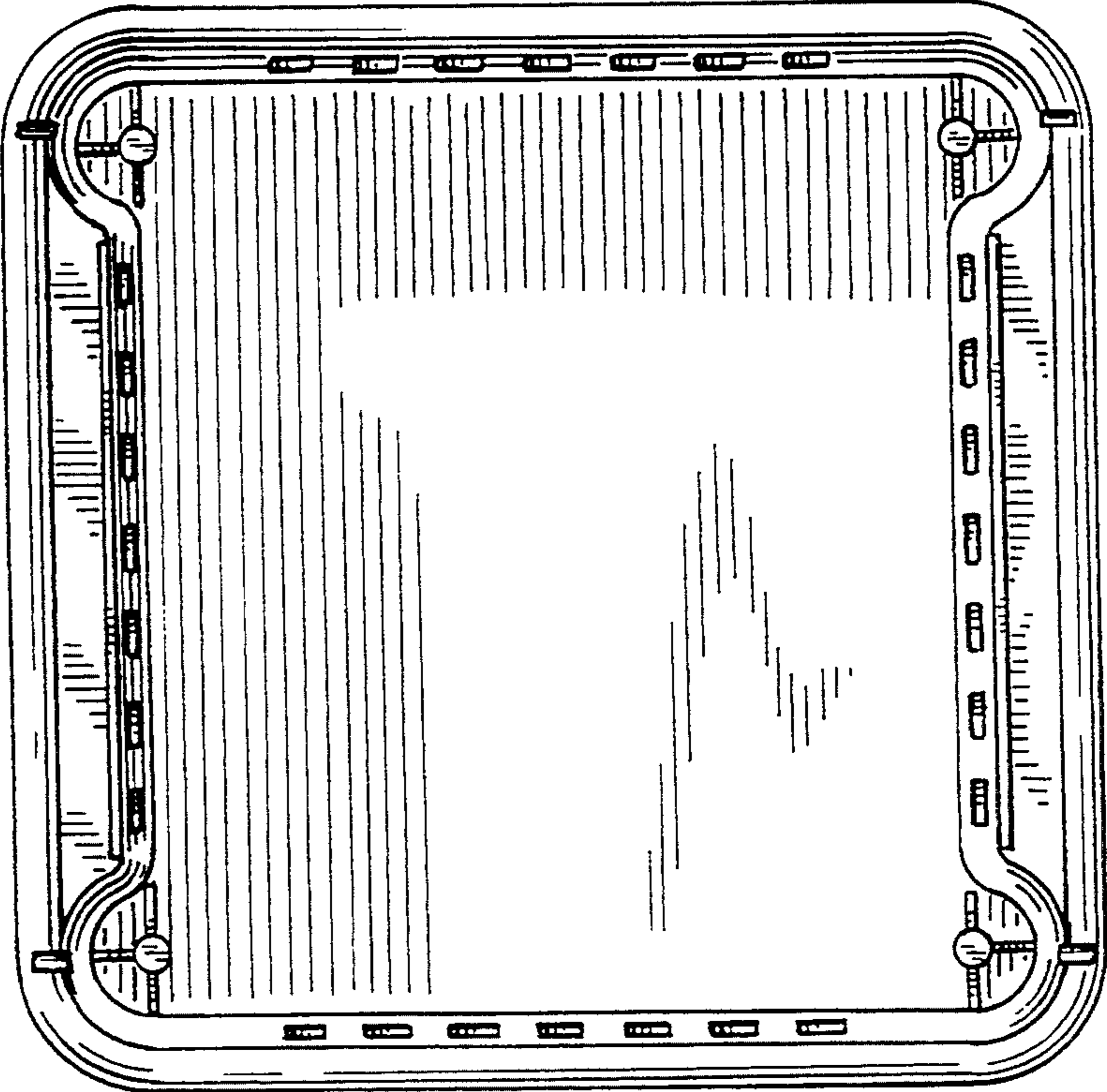


Fig. 5

