



US00D359849S

United States Patent [19]
Griffin

[11] **Patent Number: Des. 359,849**
[45] **Date of Patent: ** Jul. 4, 1995**

- [54] **CARRYING CASE FOR A CHAIN SAW**
- [75] **Inventor: John Griffin, Phoenix, Ariz.**
- [73] **Assignee: McCulloch Corporation, Tucson, Ariz.**
- [**] **Term: 14 Years**
- [21] **Appl. No.: 8,817**
- [22] **Filed: May 27, 1993**
- [52] **U.S. Cl. D3/269; D3/905**
- [58] **Field of Search D3/204, 269, 226, 905; 206/349, 373, 576; D8/70, 71; D30/165, 166.3**

- 4,162,004 7/1979 Thomas .
- 4,369,575 1/1983 Schurman .
- 4,371,079 2/1983 Dembicks .
- 5,119,937 6/1992 Reynolds, Jr. .

Primary Examiner—Terry A. Wallace
Assistant Examiner—Paula Mortimer
Attorney, Agent, or Firm—Marshall, O’Toole, Gerstein, Murray & Borun

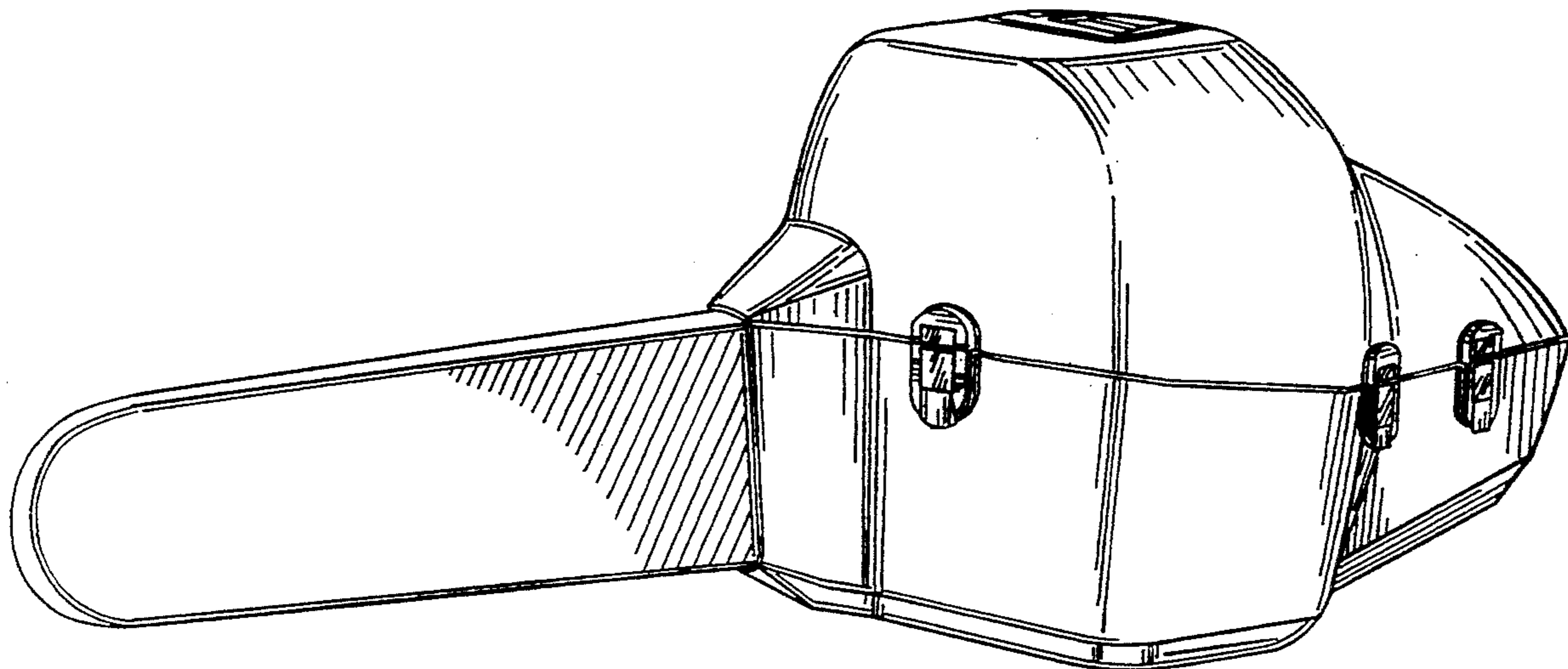
[57] **CLAIM**

The ornamental design for a carrying case for a chain saw, as shown and described.

DESCRIPTION

FIG. 1 is a front elevational view of a carrying case for a chain saw showing my new design;
FIG. 2 is a left side elevational view thereof;
FIG. 3 is a right side elevational view thereof;
FIG. 4 is a left side perspective view taken from the front thereof;
FIG. 5 is a rear elevational view thereof;
FIG. 6 is a top plan view thereof; and,
FIG. 7 is bottom view thereof.

- [56] **References Cited**
- U.S. PATENT DOCUMENTS**
- D. 248,422 7/1978 Malcolm .
- D. 248,508 7/1978 Malcolm .
- D. 258,626 3/1981 Dembicks et al. .
- D. 267,754 2/1983 Carroll et al. .
- 2,788,889 4/1957 Turnbow .
- 3,344,818 10/1967 Musgrove .



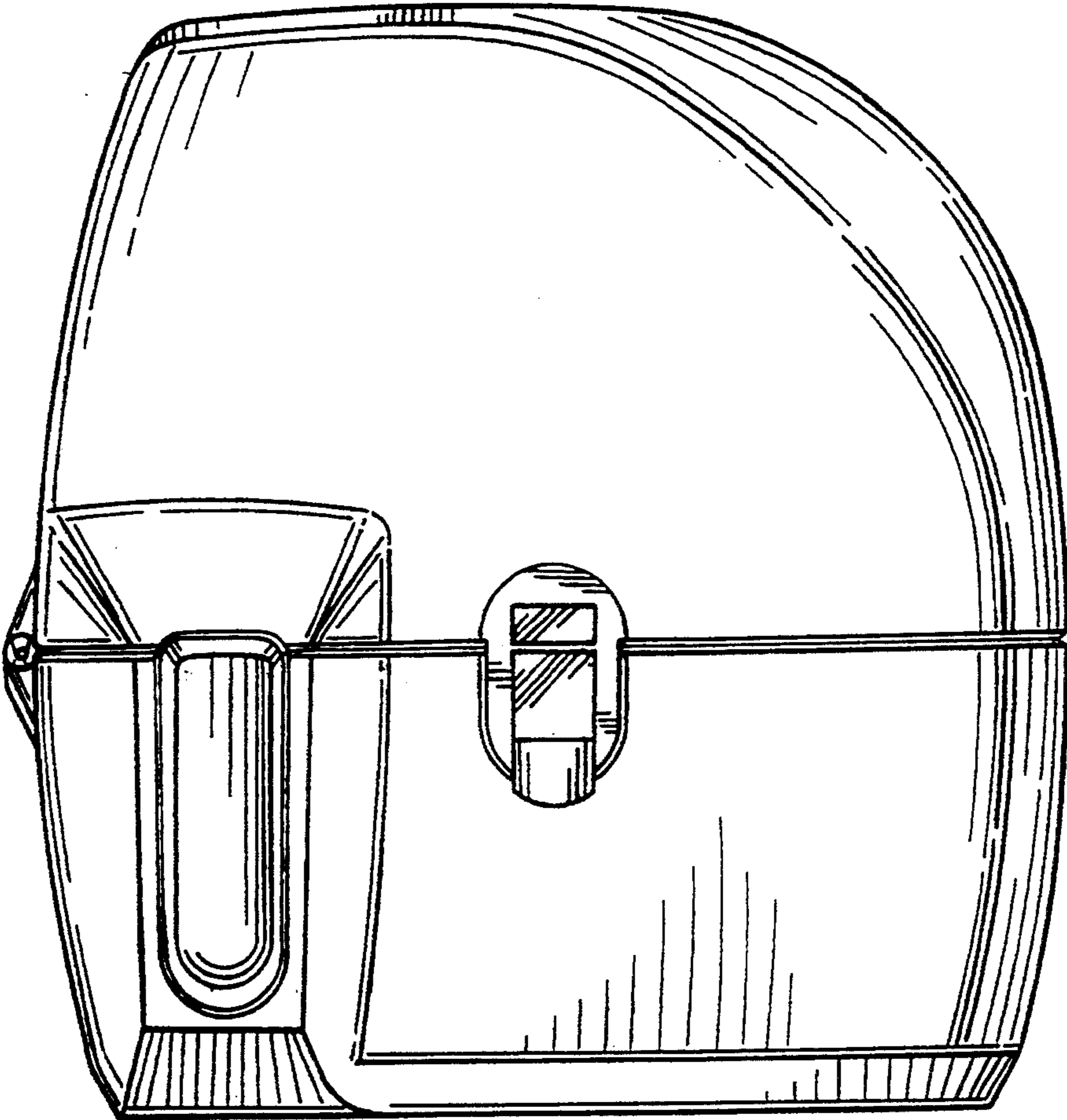


FIG. 1

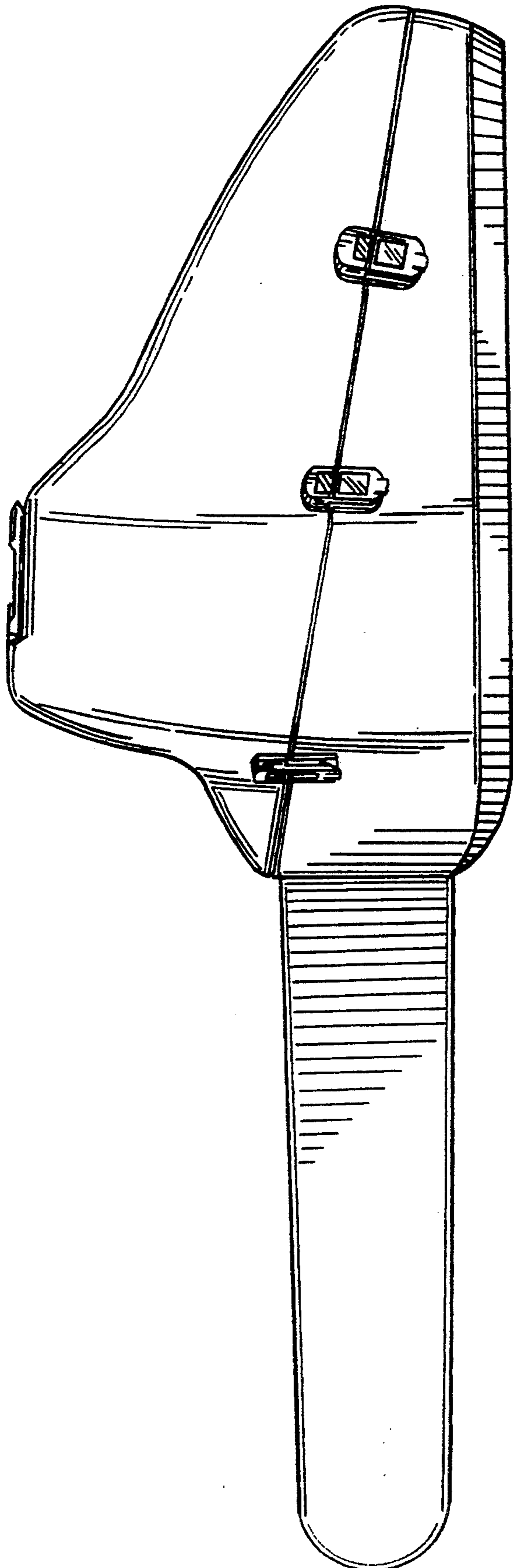


FIG. 2

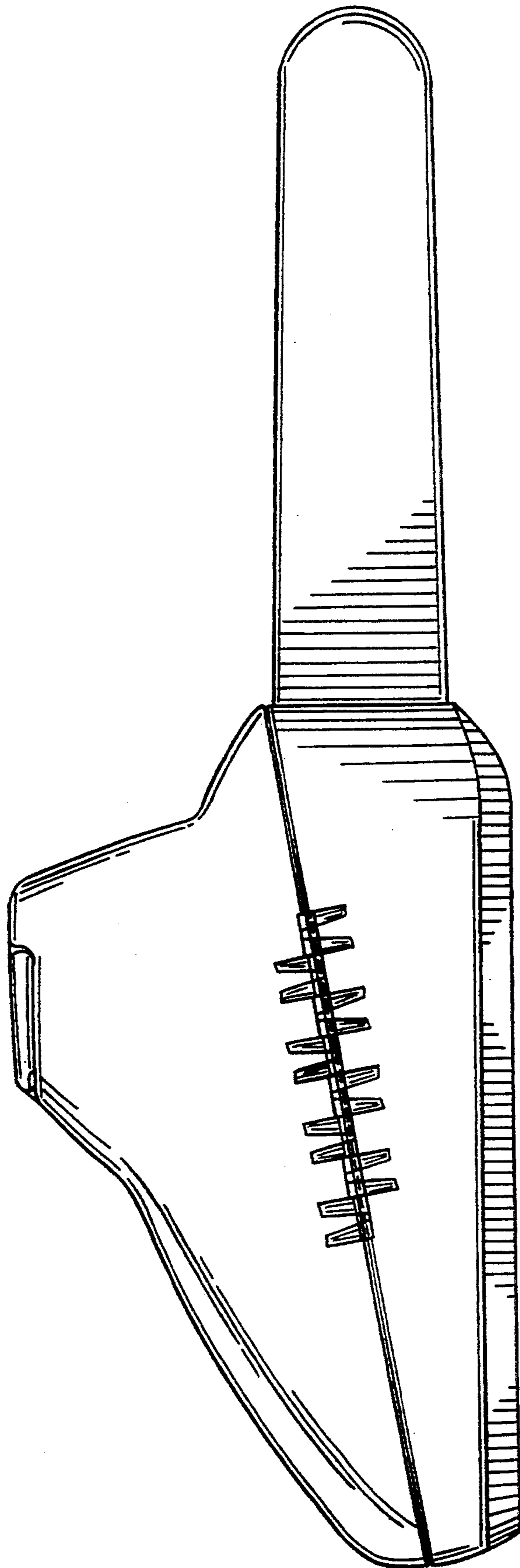


FIG. 3

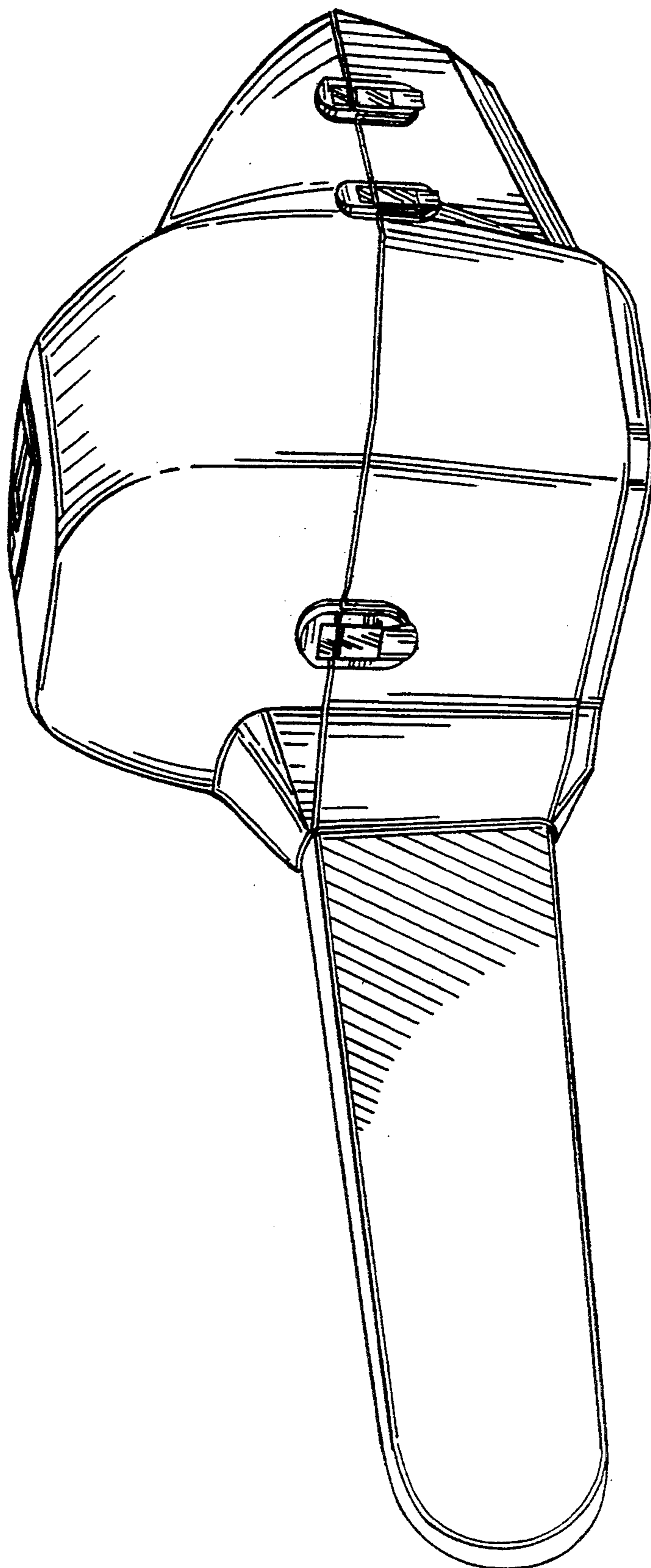


FIG. 4

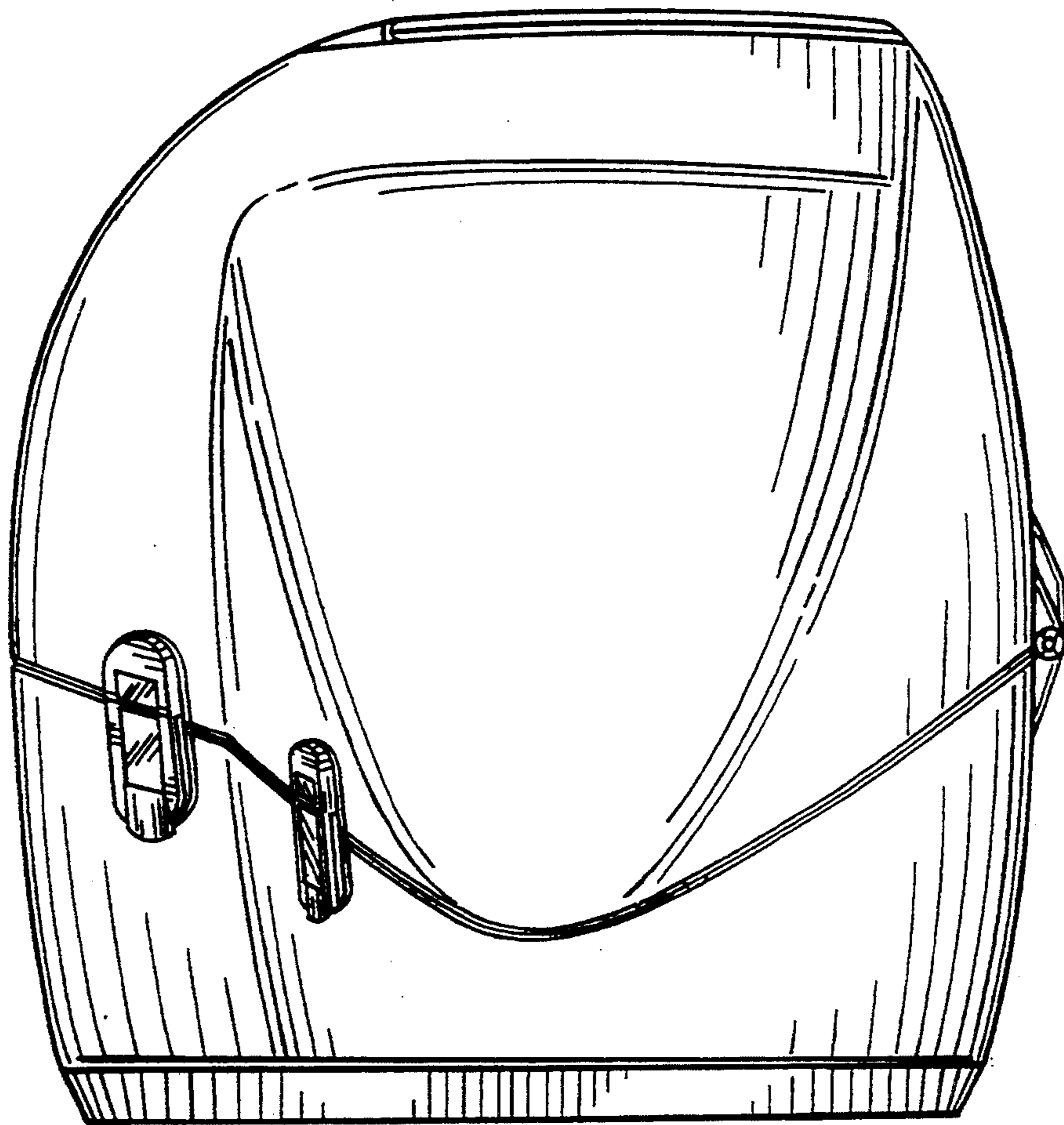


FIG. 5

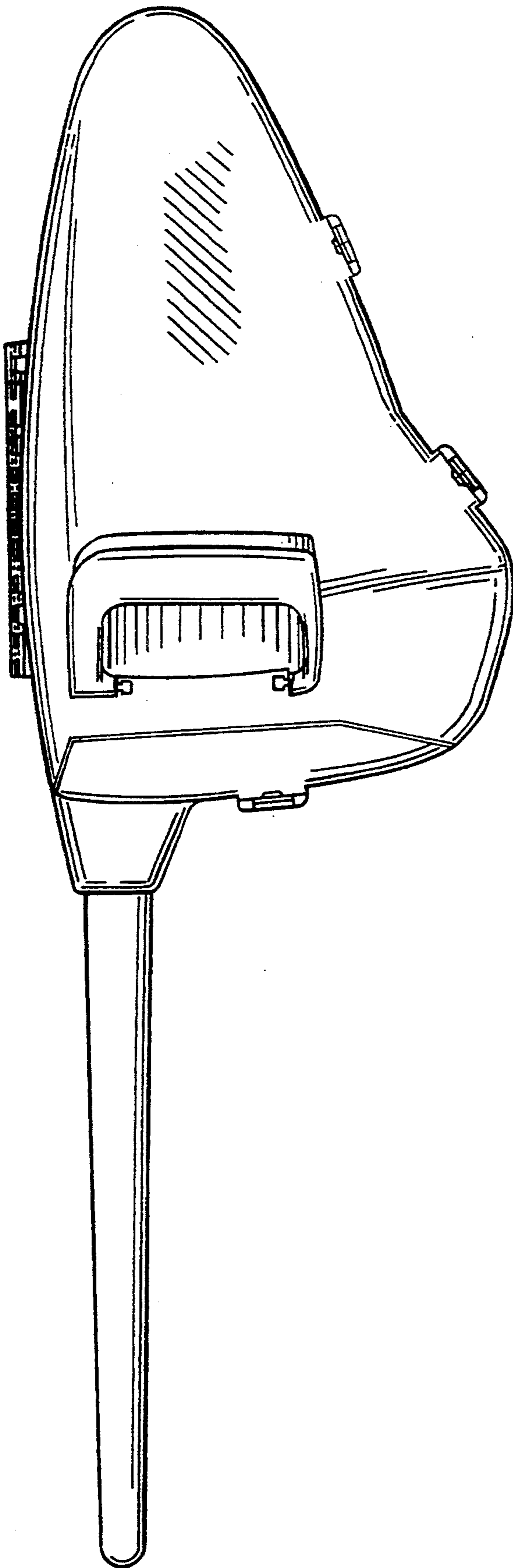


FIG. 6

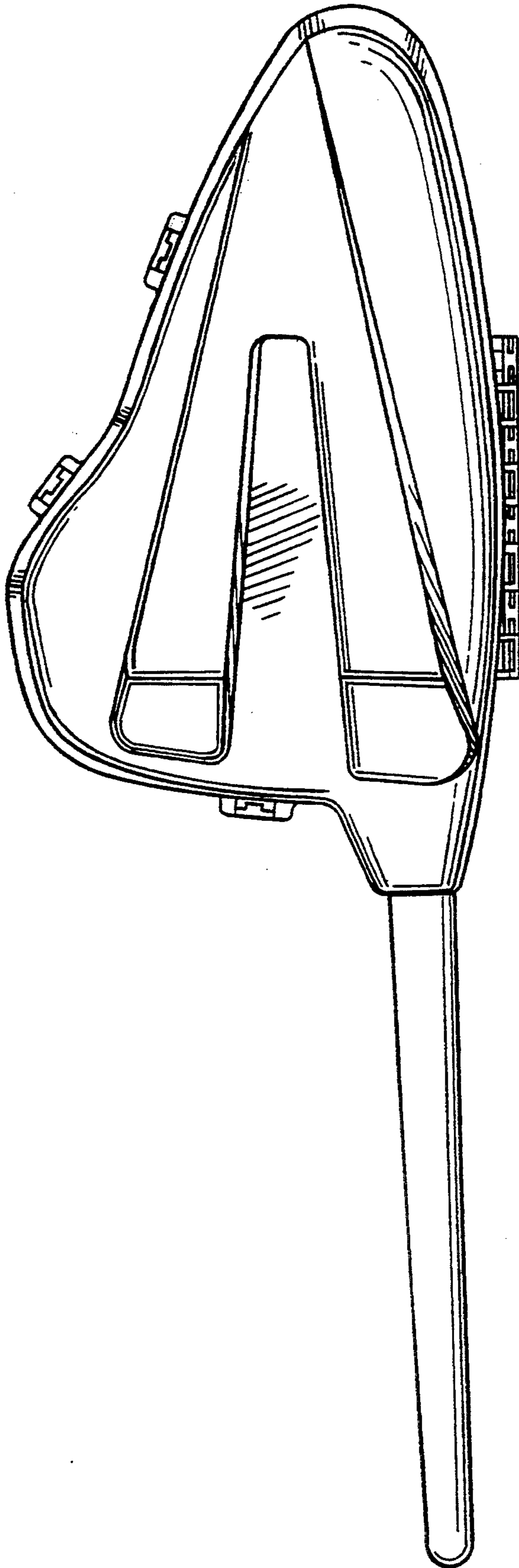


FIG. 7