



US00D359848S

United States Patent [19]

Pounds

[11] Patent Number: **Des. 359,848**

[45] Date of Patent: **** Jul. 4, 1995**

[54] **BELT-MOUNTED UTILITY HITCH**

5,195,667 3/1993 Gallant 224/904 X

[76] Inventor: **Thomas A. Pounds**, 3312 Pines Rd.,
Shreveport, La. 71119

Primary Examiner—A. Hugo Word
Assistant Examiner—Catherine R. Oliver
Attorney, Agent, or Firm—John M. Harrison

[**] Term: **14 Years**

[57] **CLAIM**

[21] Appl. No.: **22,046**

The ornamental design for a belt-mounted utility hitch,
as shown and described.

[22] Filed: **Apr. 28, 1994**

[52] U.S. Cl. **D3/228**

[58] Field of Search D3/228; 224/248, 904,
224/245, 252, 223, 241, 234, 226, 253, 907, 268,
197

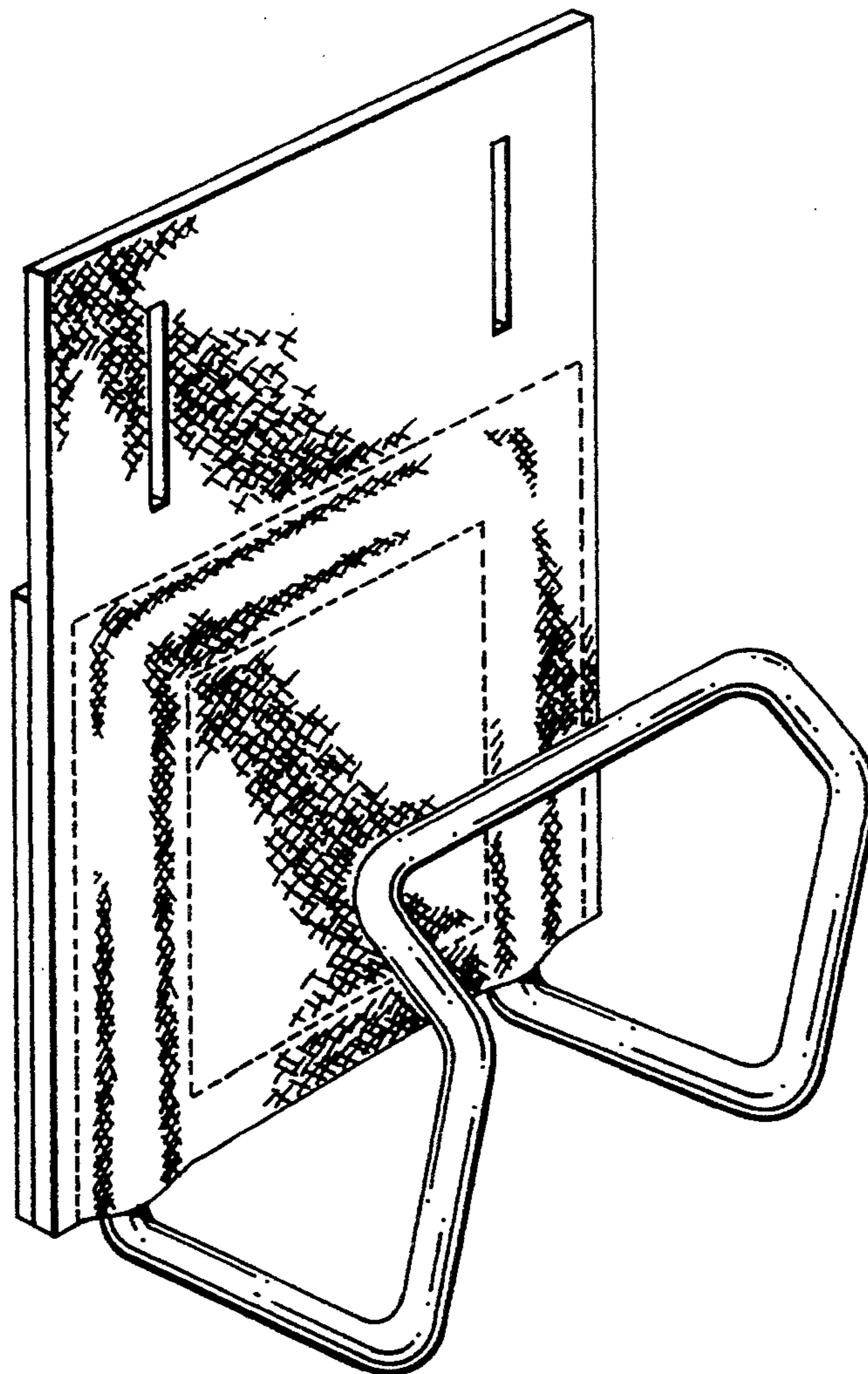
DESCRIPTION

FIG. 1 is a perspective view of the belt-mounted utility hitch, showing my new design;
FIG. 2 is a front elevation of the belt-mounted utility hitch;
FIG. 3 is a rear elevation thereof;
FIG. 4 is a left side elevational view, the right side being a mirror image thereof;
FIG. 5 is a top elevation thereof; and,
FIG. 6 is a bottom elevation of the belt-mounted utility hitch illustrated in FIGS. 1-5.

[56] **References Cited**

U.S. PATENT DOCUMENTS

D. 221,123	7/1971	Nicholas	D3/228
D. 248,066	6/1978	Hillinger	D3/228
D. 258,550	3/1981	Strauss	224/904 X
4,790,461	12/1988	Stover	224/234 X
4,932,576	6/1990	Ashley	224/226 X



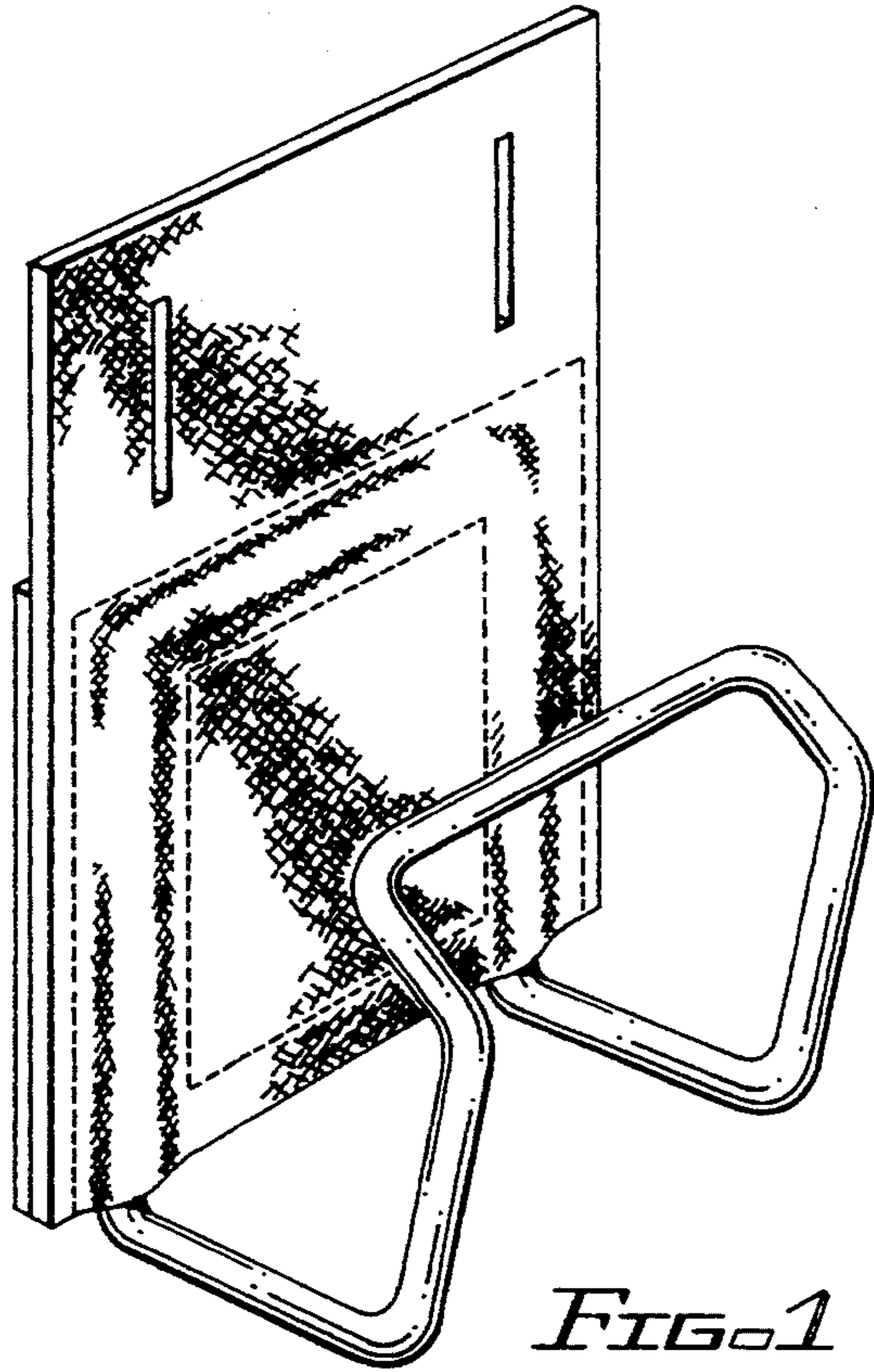


FIG. 1

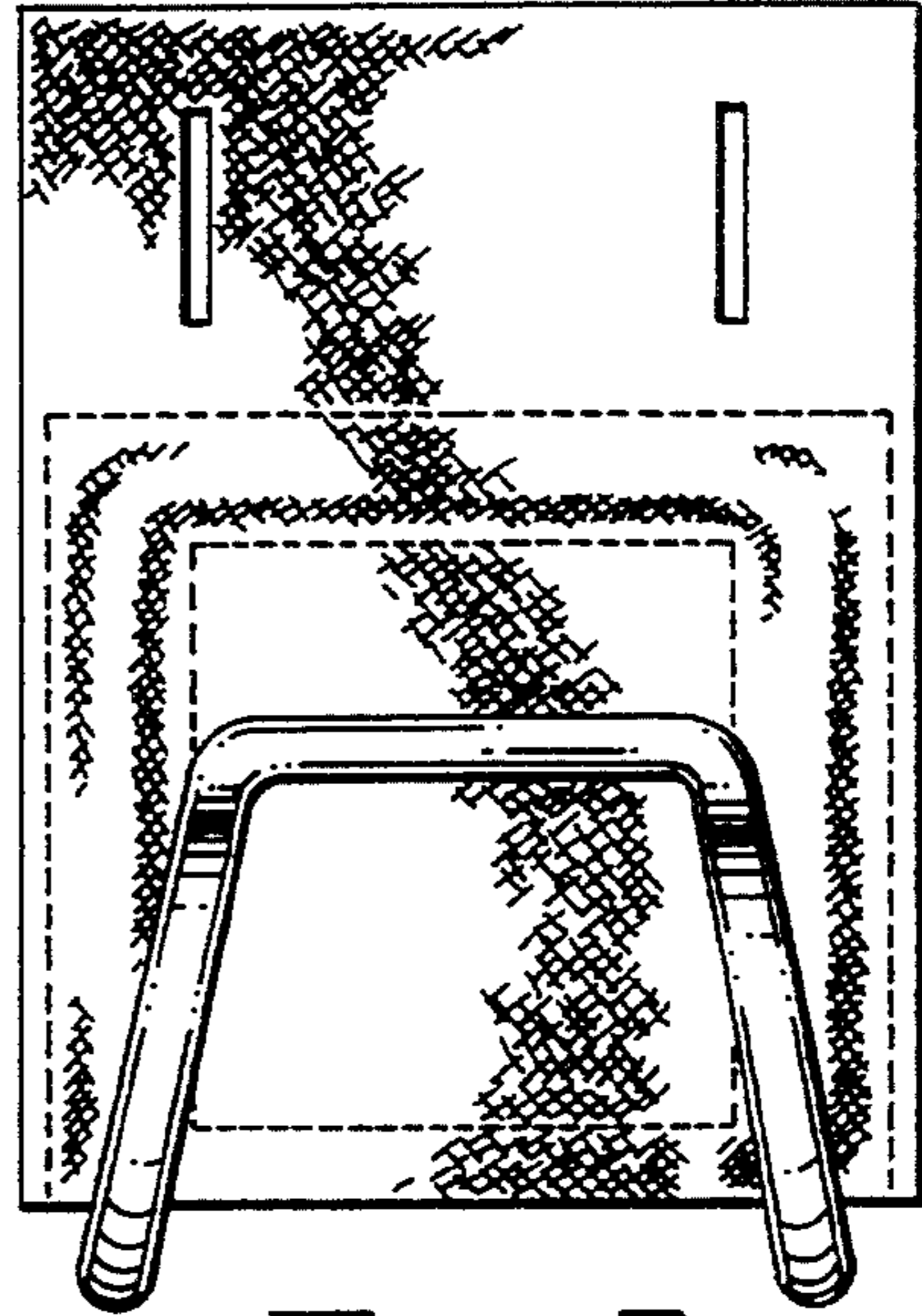


FIG. 2

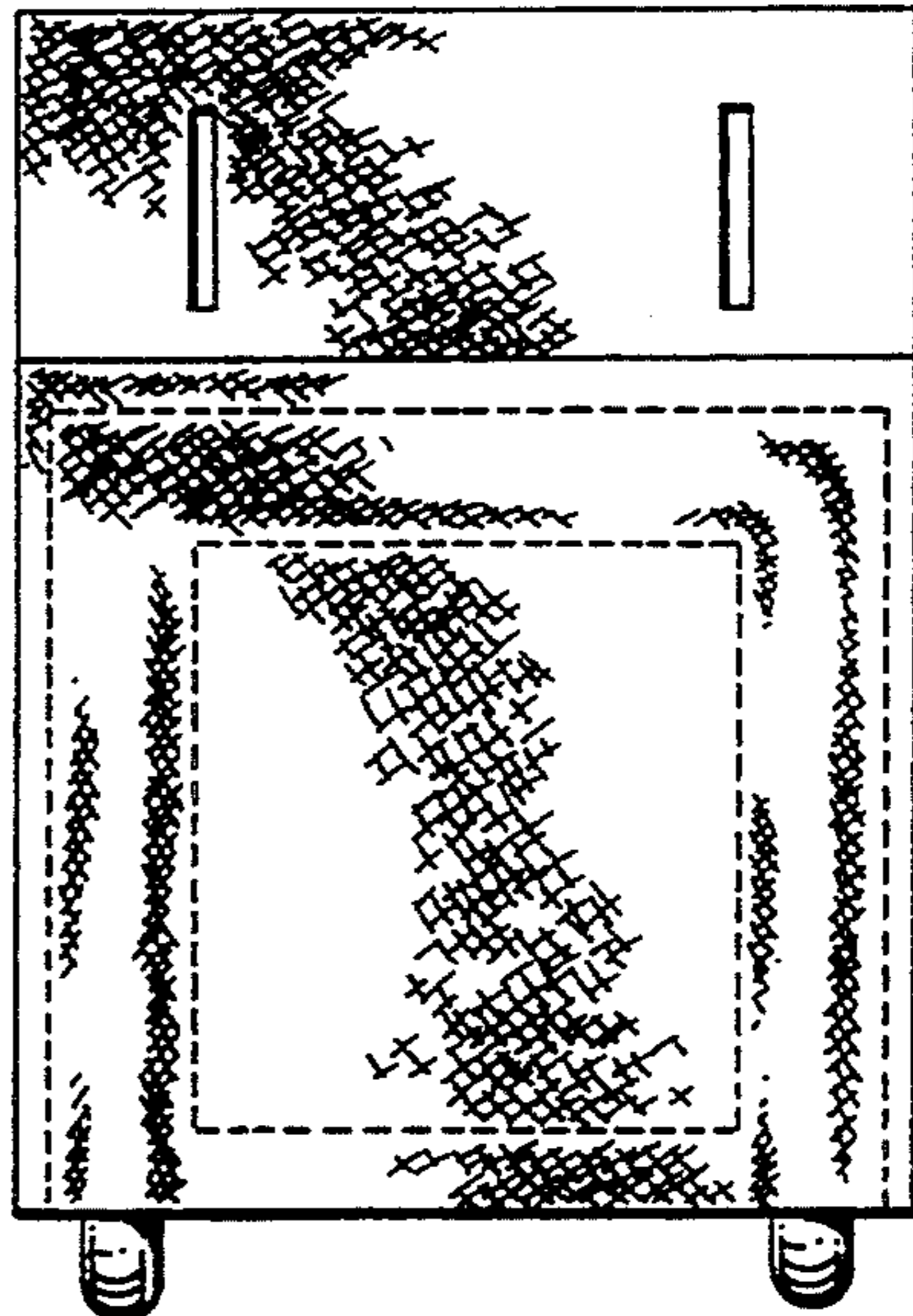


FIG. 3

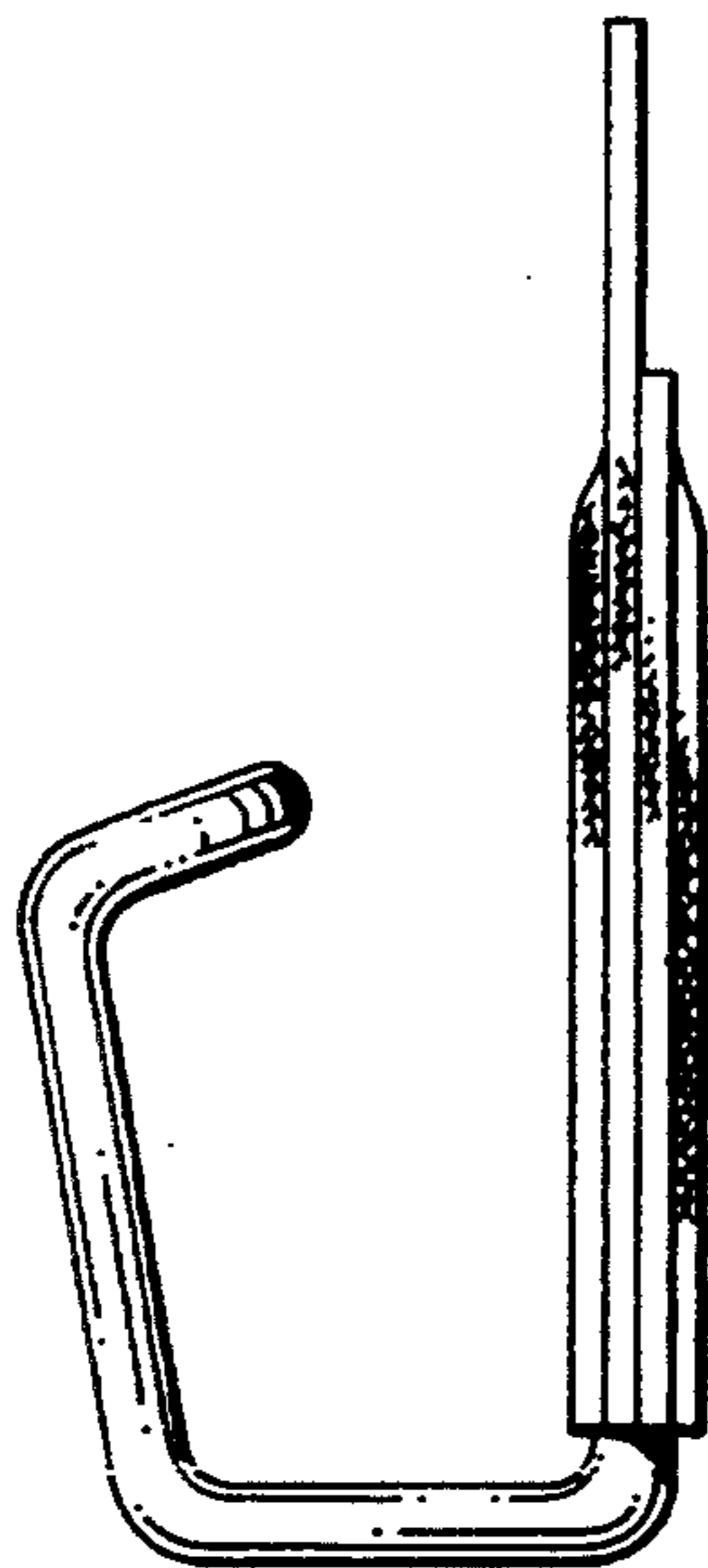


FIG. 4

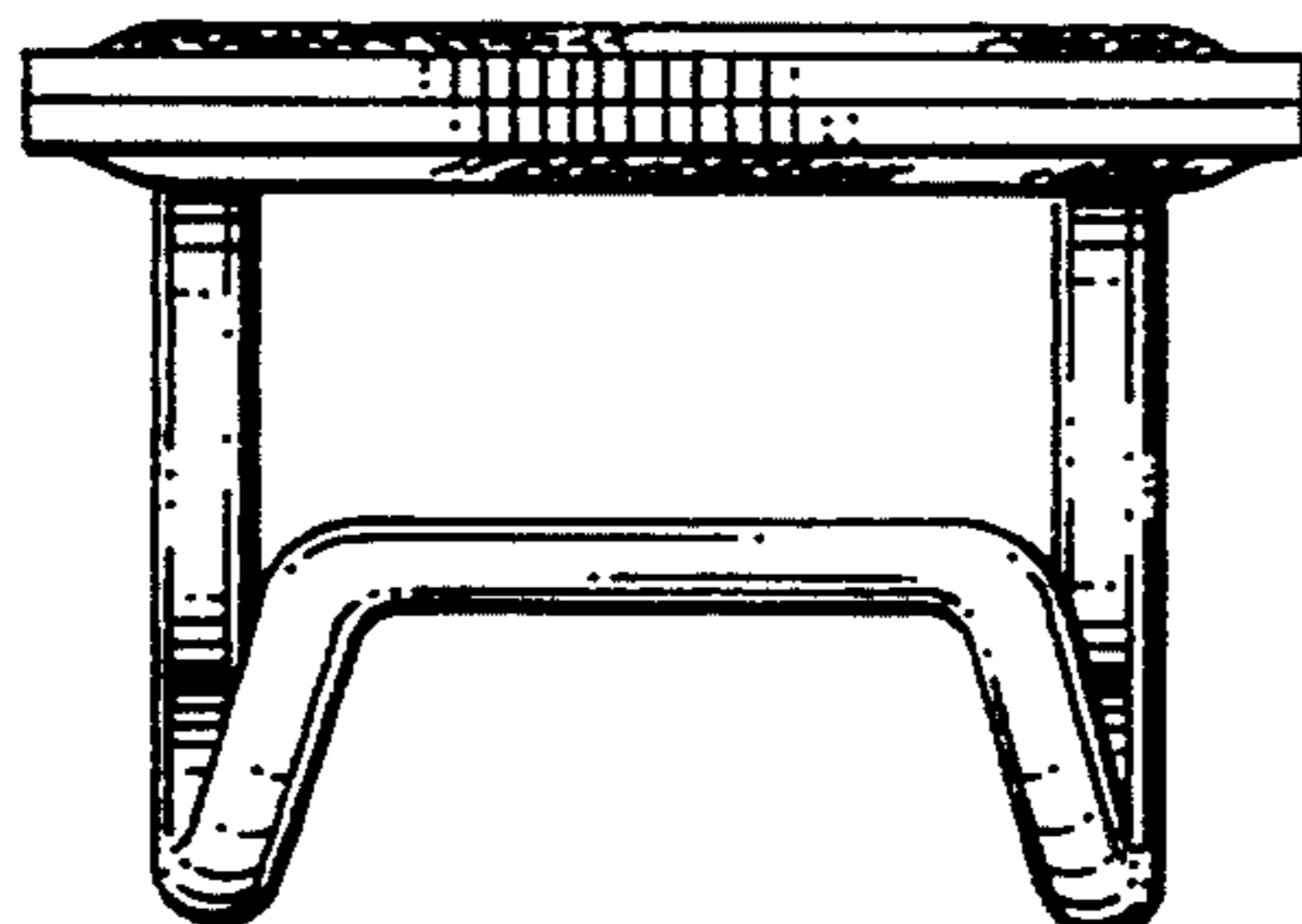


FIG. 5

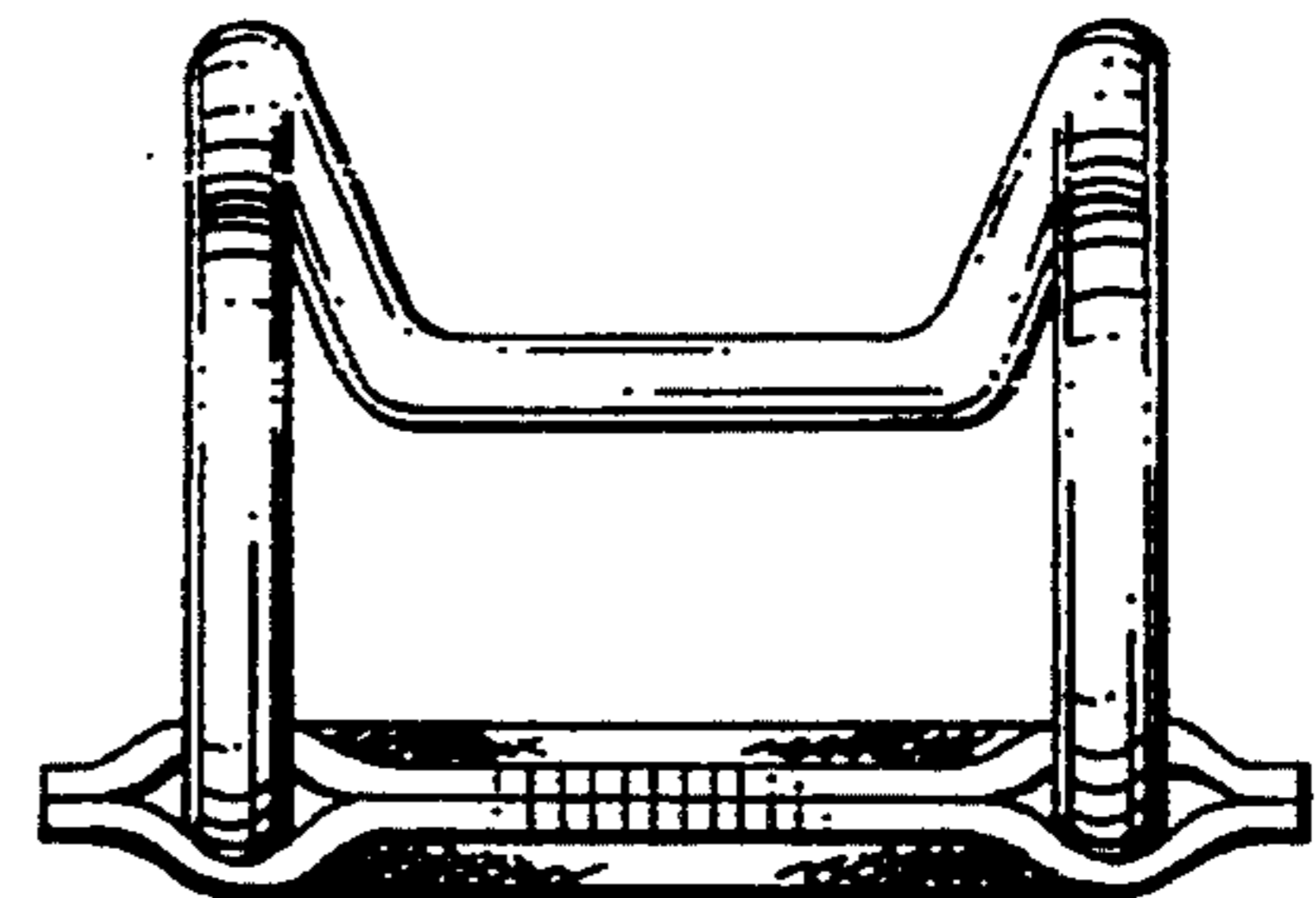


FIG. 6