



US00D359844S

United States Patent [19]

[11] Patent Number: **Des. 359,844**

MacDonald

[45] Date of Patent: **** Jul. 4, 1995**

[54] **TRIPLE HEADER KEY HOLDER**

[57] **CLAIM**

[76] Inventor: **Sumner MacDonald**, 44 Ballou Blvd.,
Bristol, R.I. 02809

The ornamental design for triple header key holder, as shown and described.

[**] Term: **14 Years**

DESCRIPTION

[21] Appl. No.: **21,817**

FIG. 1 is a front perspective view of a triple header key holder in inverted position showing my new design; FIG. 2 is a front elevational view thereof; FIG. 3 is a rear elevational view thereof; FIG. 4 is a left side elevational view thereof; FIG. 5 is a right side elevational view thereof; FIG. 6 is a top plan view thereof; FIG. 7 is a bottom plan view thereof; and FIG. 8 is a front perspective view of a modified form of a triple header key holder from that shown in FIG. 1 in inverted position; FIG. 9 is a front elevational view of FIG. 8; FIG. 10 is a rear elevational view of FIG. 8; FIG. 11 is a left side elevational view of FIG. 8; FIG. 12 is a right side elevational view of FIG. 8; FIG. 13 is a top plan view of FIG. 8; and, FIG. 14 is a bottom plan view of FIG. 8. The broken line showings of key rings are for illustrative purposes and form no part of the claimed design.

[22] Filed: **Apr. 25, 1994**

[52] U.S. Cl. **D3/207**

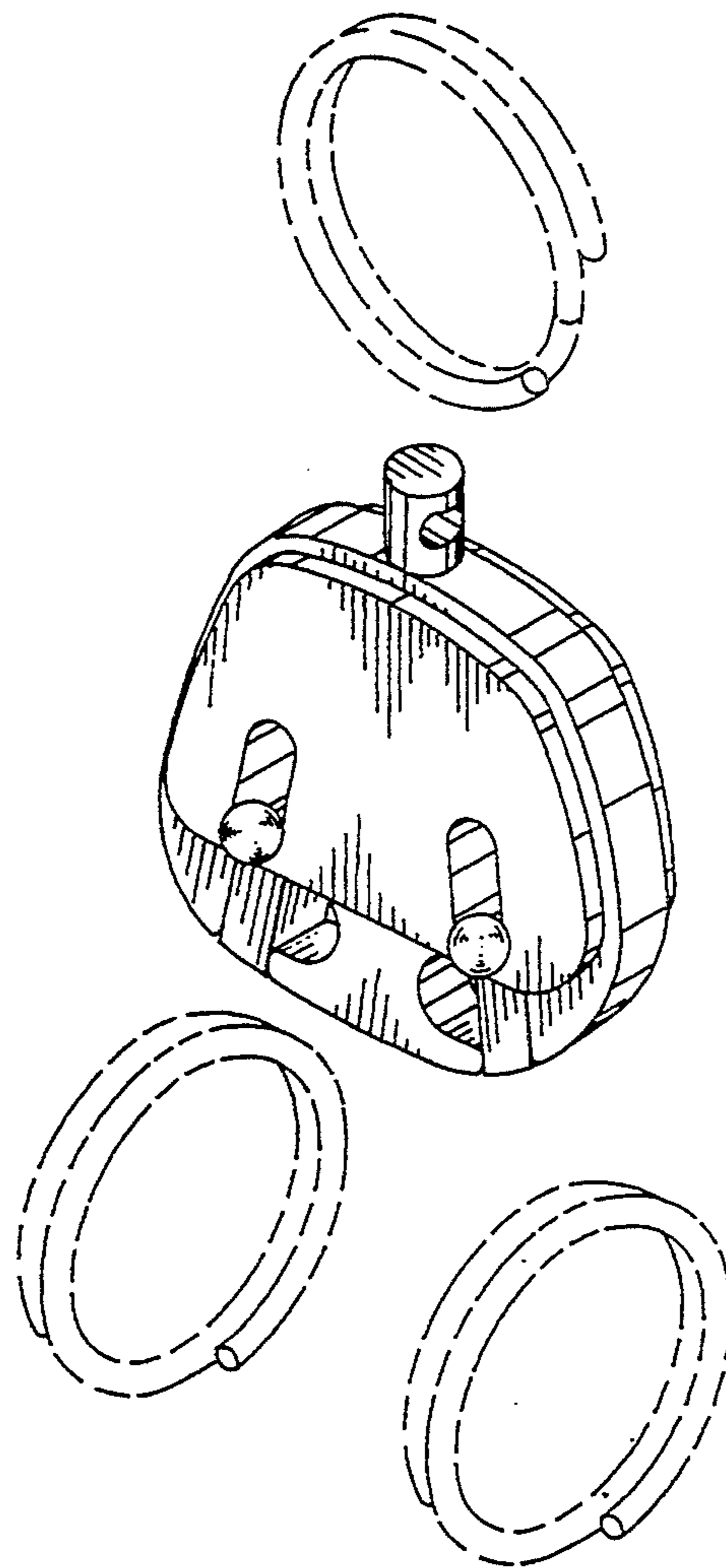
[58] Field of Search **D3/207-212;**
70/456 B, 456 R, 457-460; 207/456 R; 24/3 K

[56] **References Cited**

U.S. PATENT DOCUMENTS

D. 267,209	12/1982	Beier	D3/207
D. 311,275	10/1990	MacDonald	D3/207
5,154,073	10/1992	Huang	70/459 X
5,174,139	12/1992	Huang	70/459 X

Primary Examiner—Ralf T. Seifert
Attorney, Agent, or Firm—Robert J. Doherty



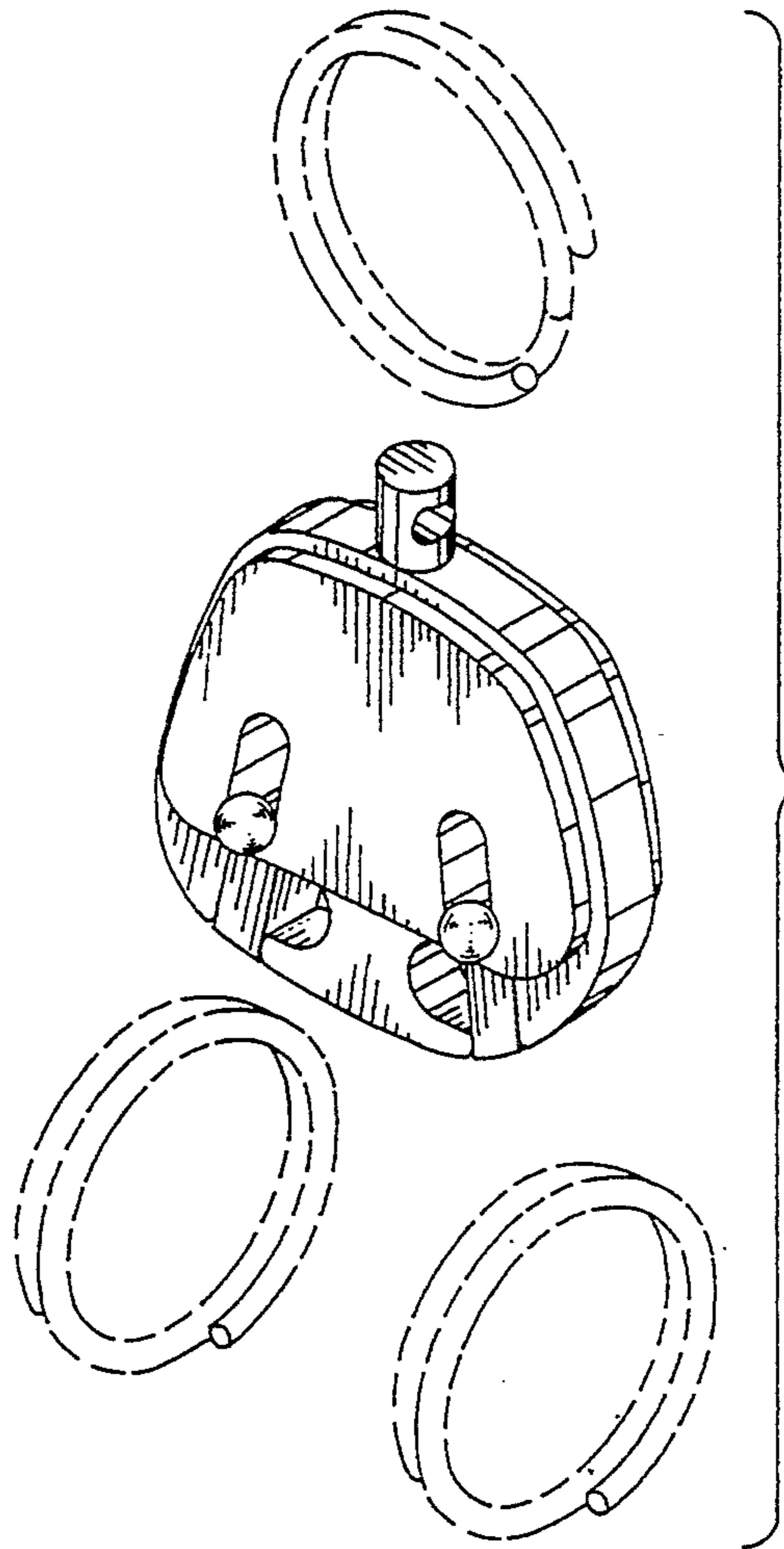


FIG. 1

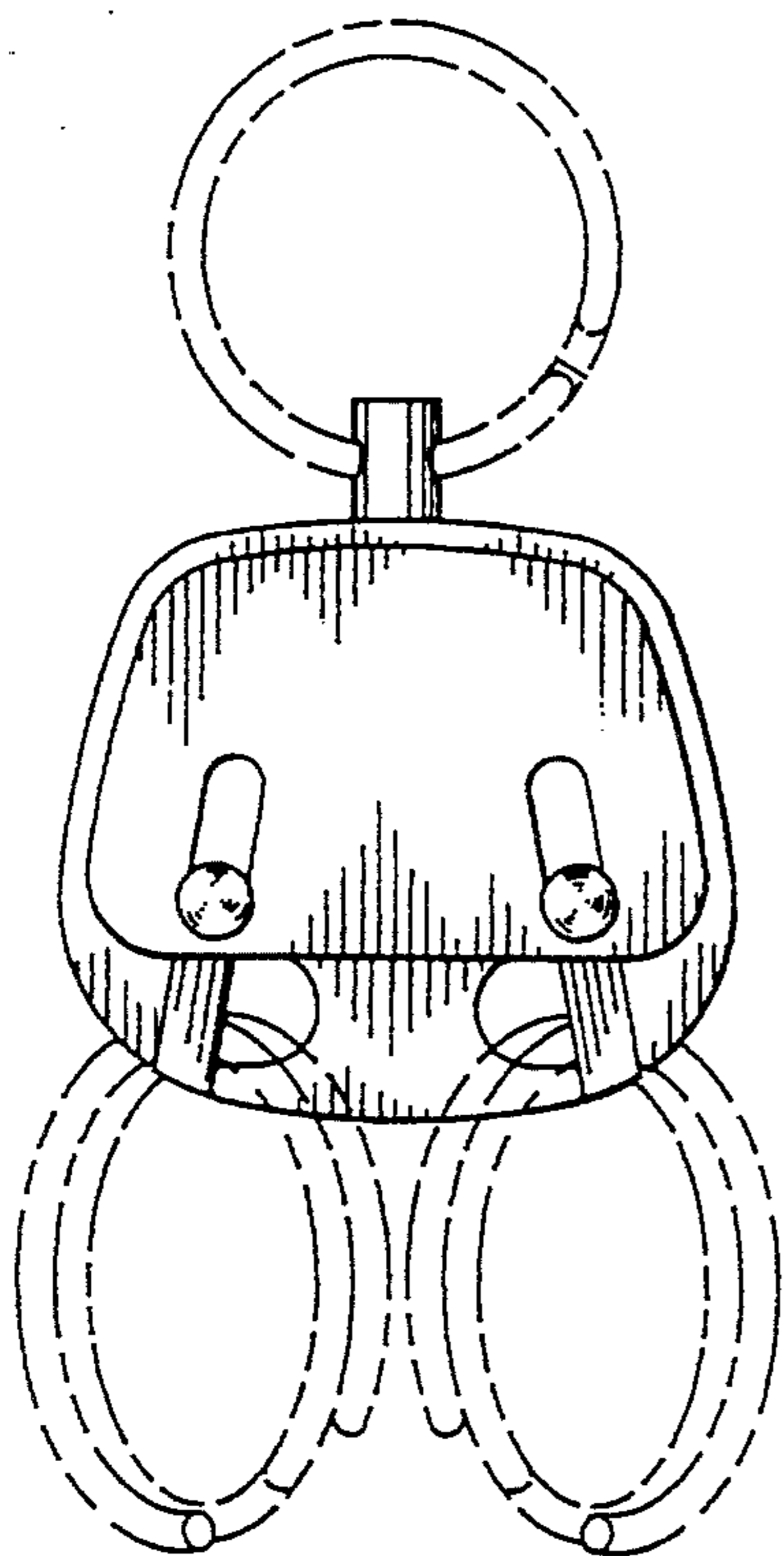


FIG. 2

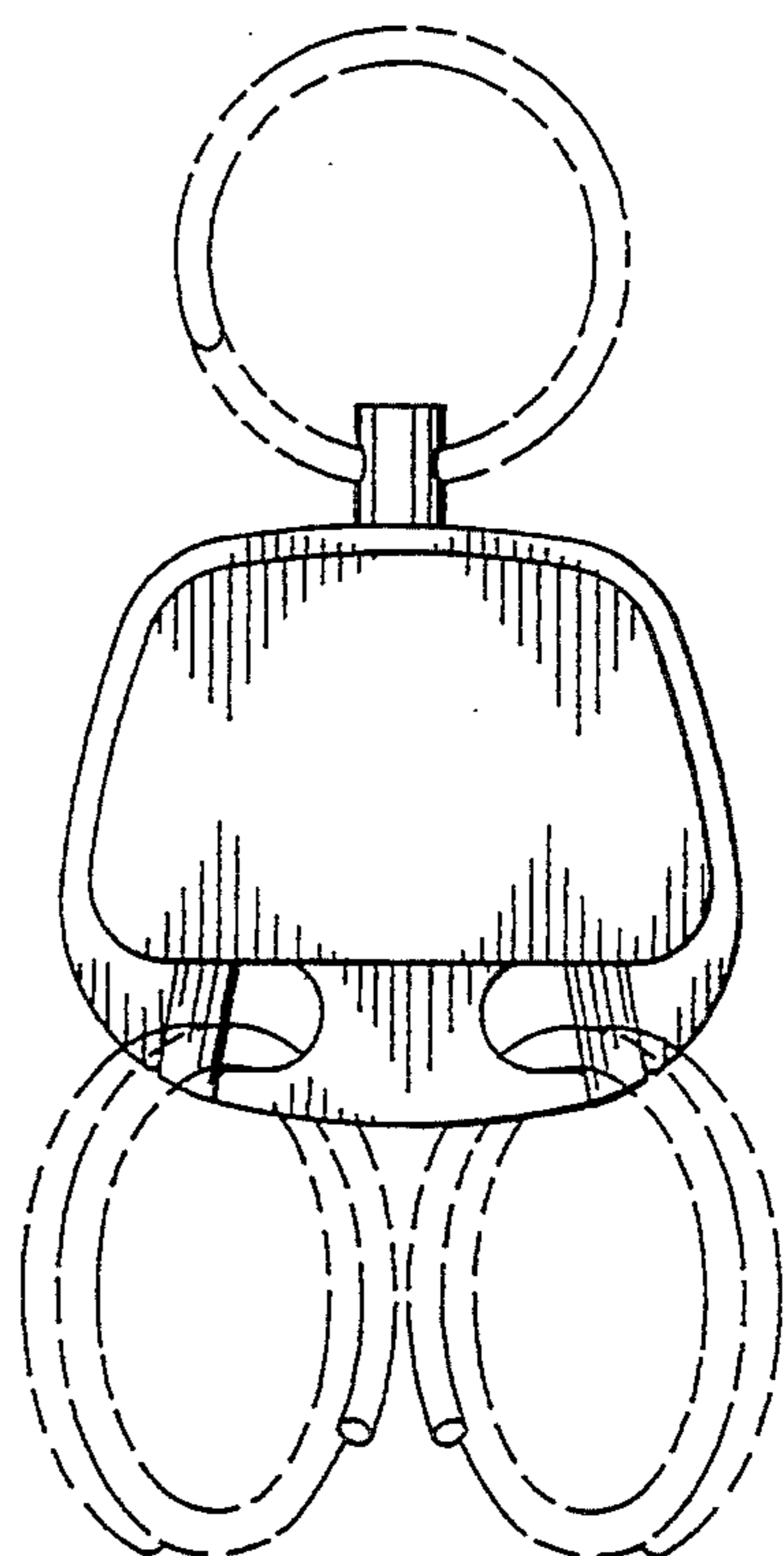


FIG. 3

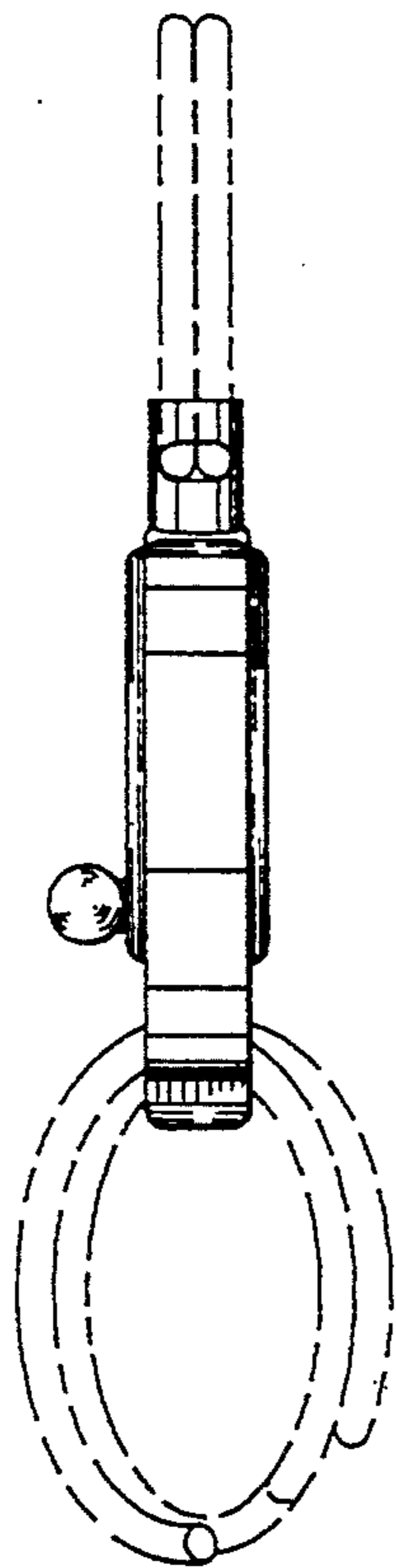


FIG. 4

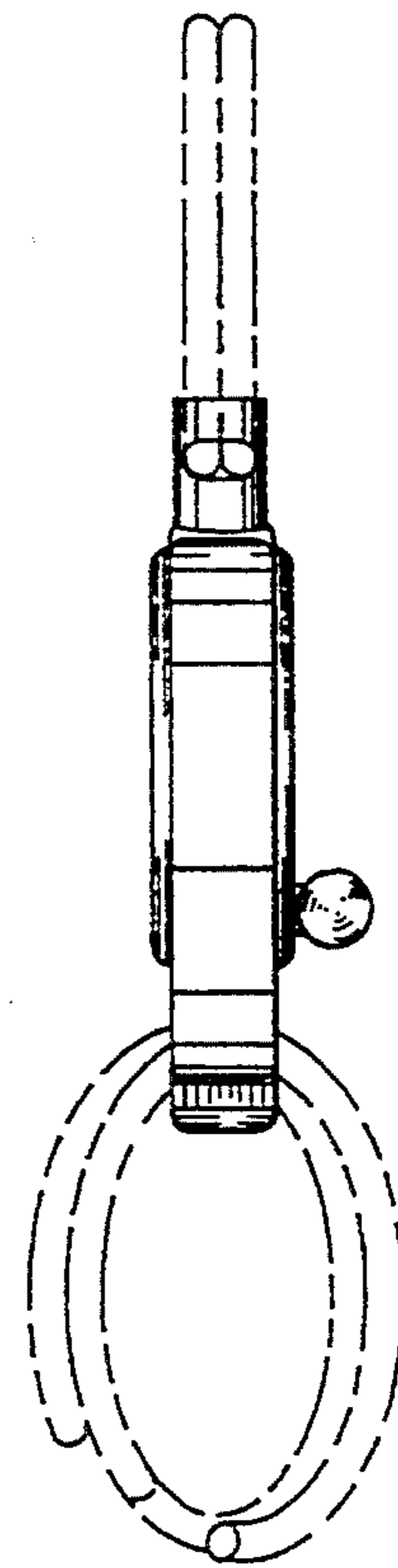


FIG. 5

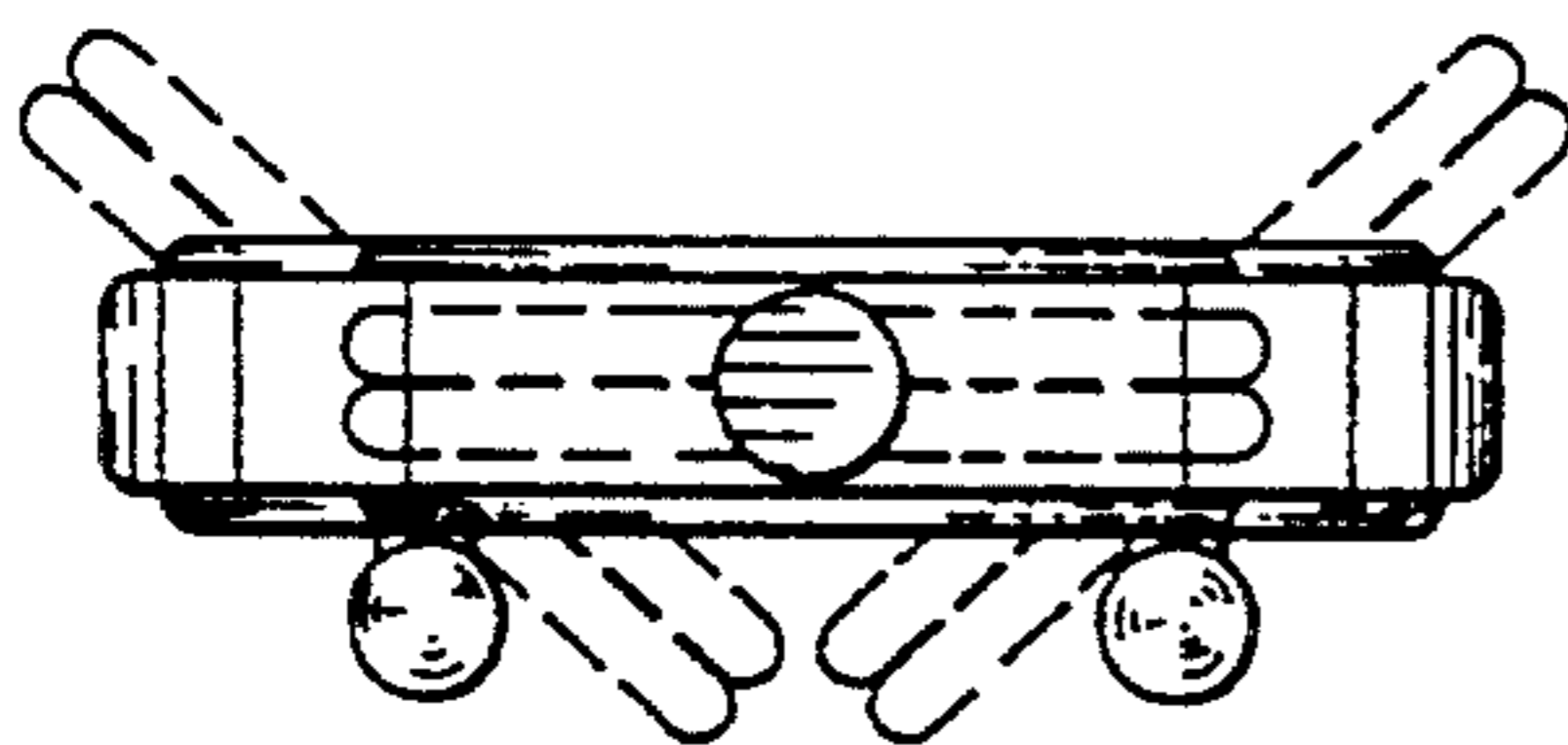


FIG. 6

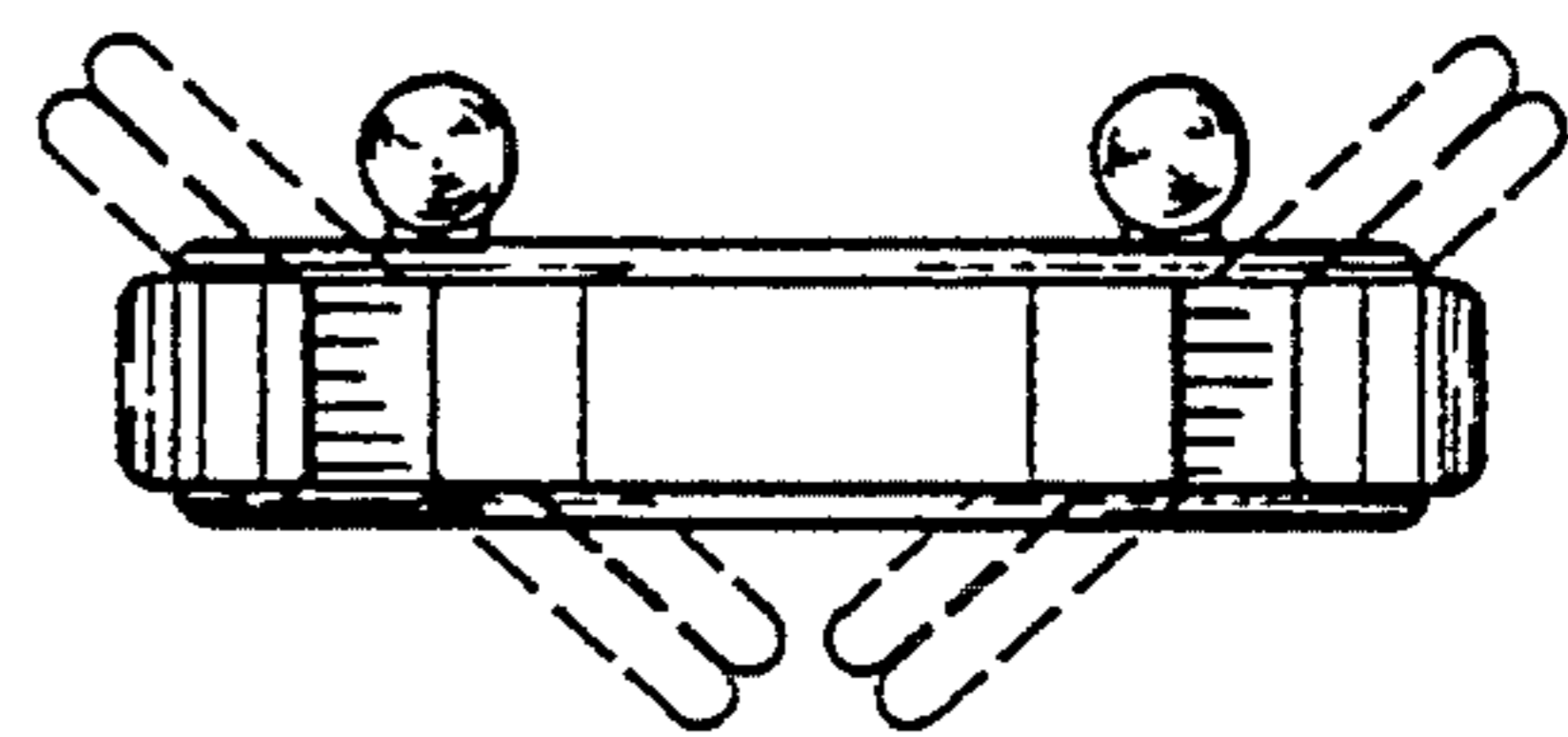


FIG. 7

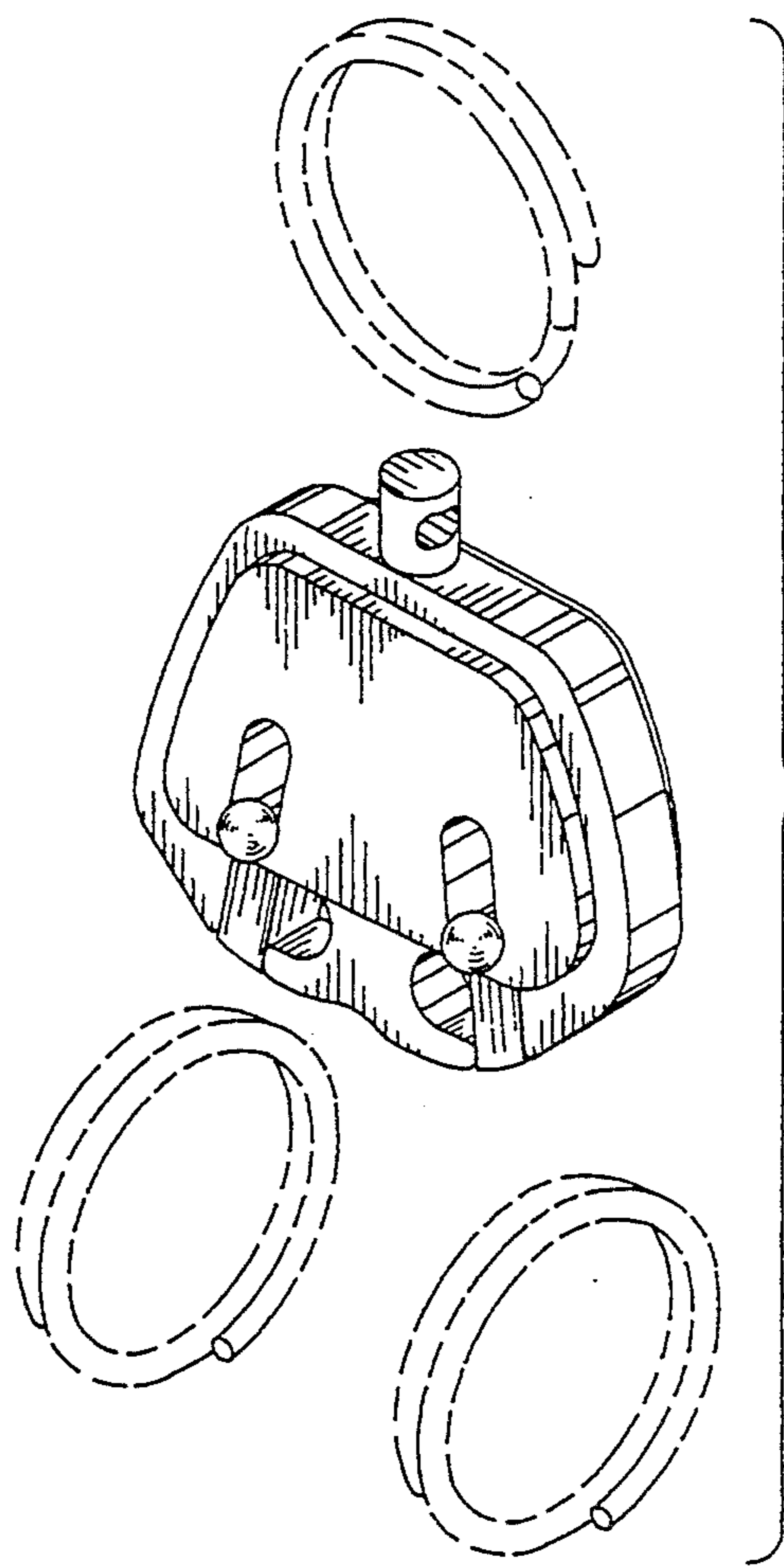


FIG. 8

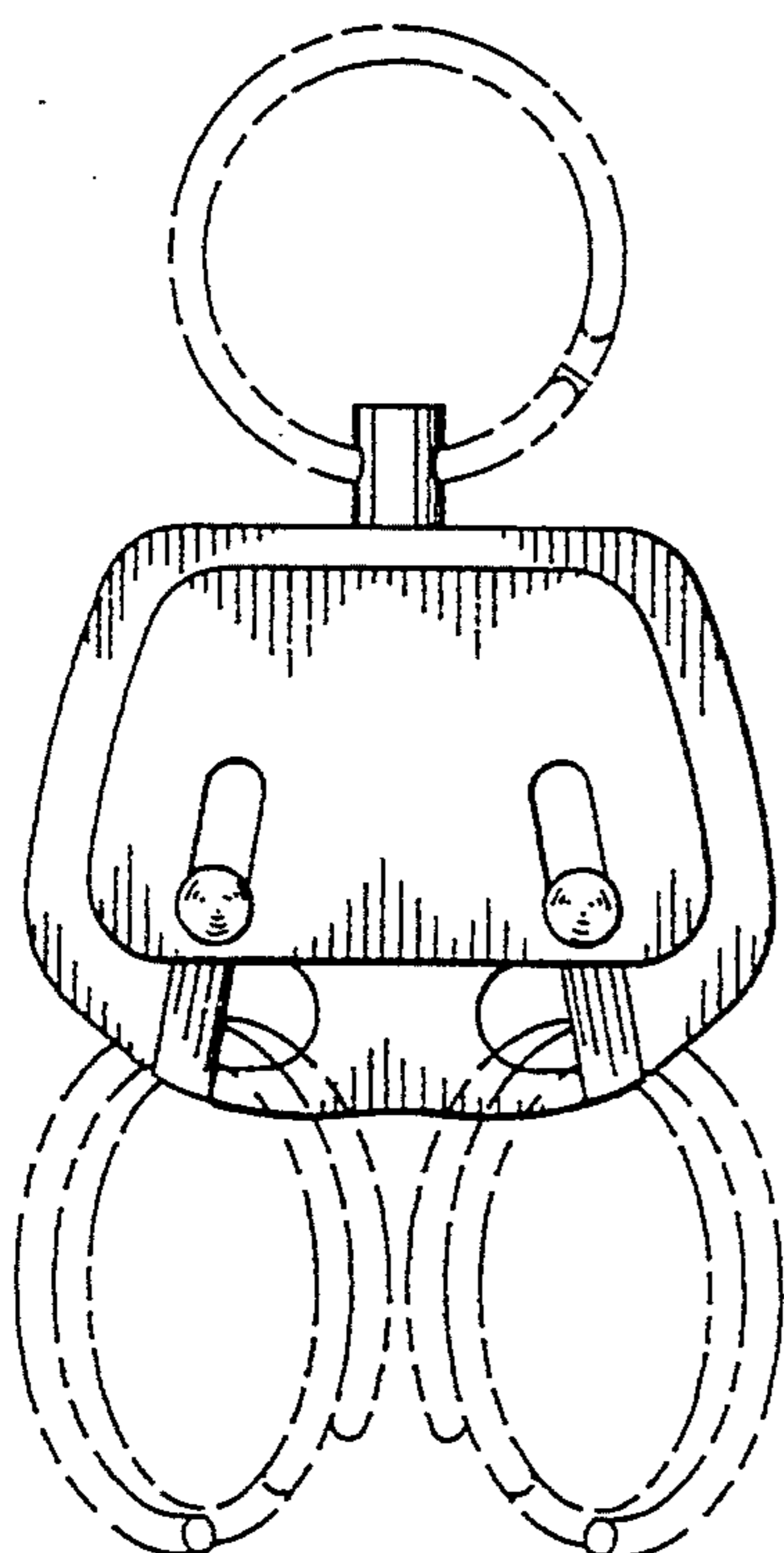


FIG. 9

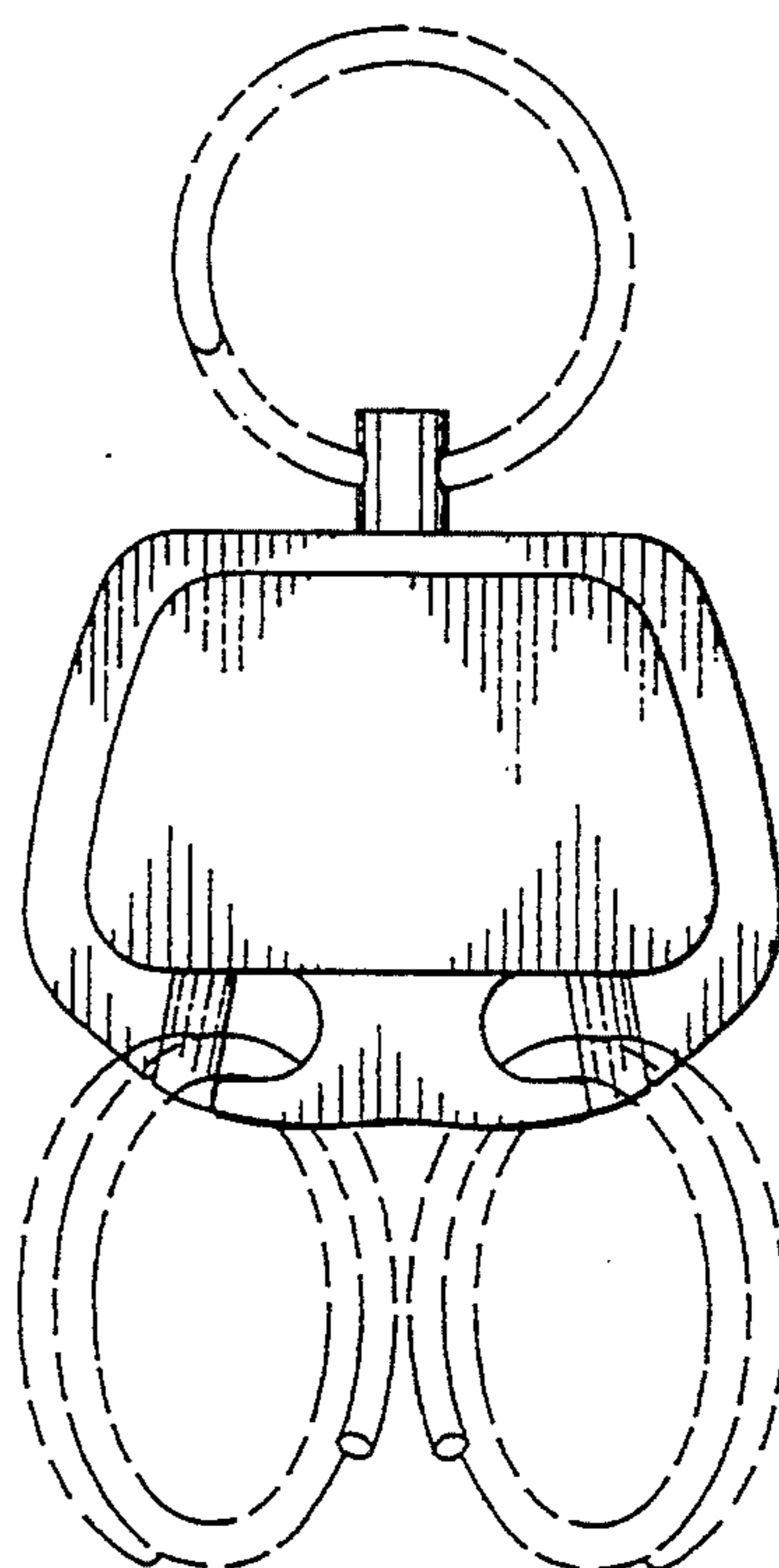


FIG. 10

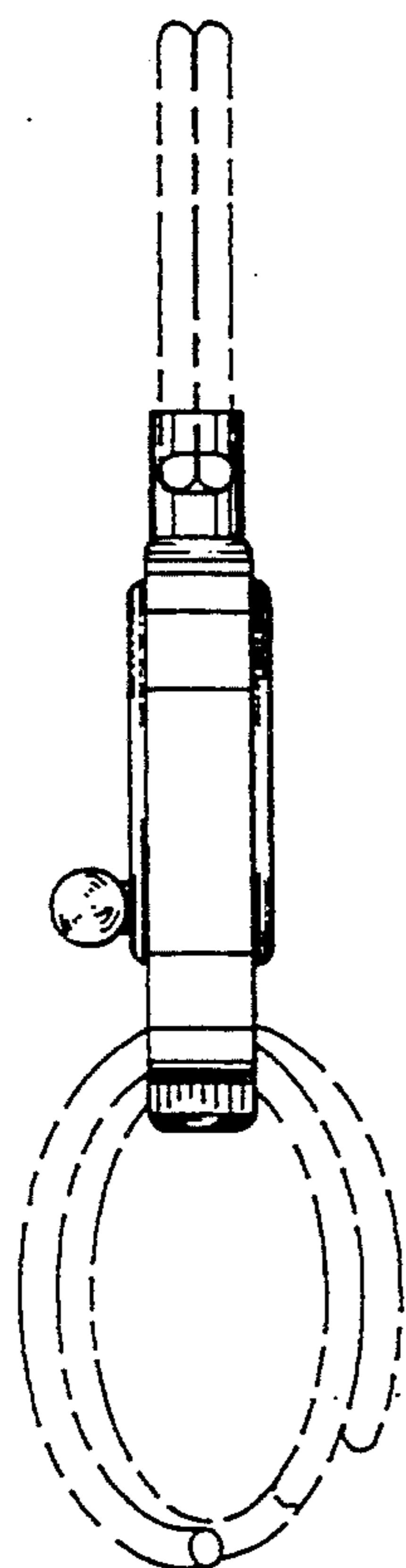


FIG. 11

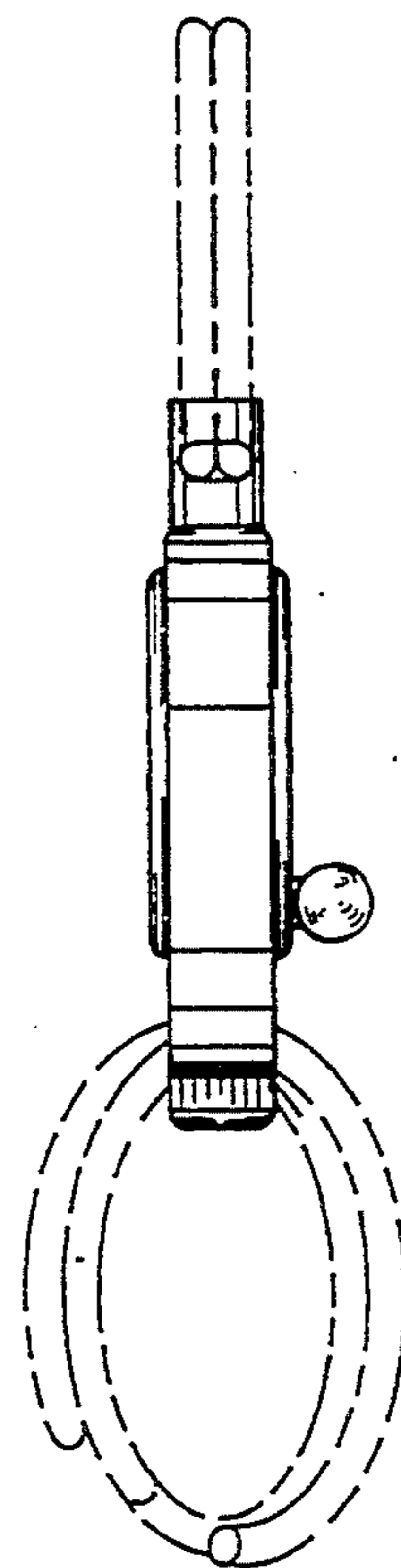


FIG. 12

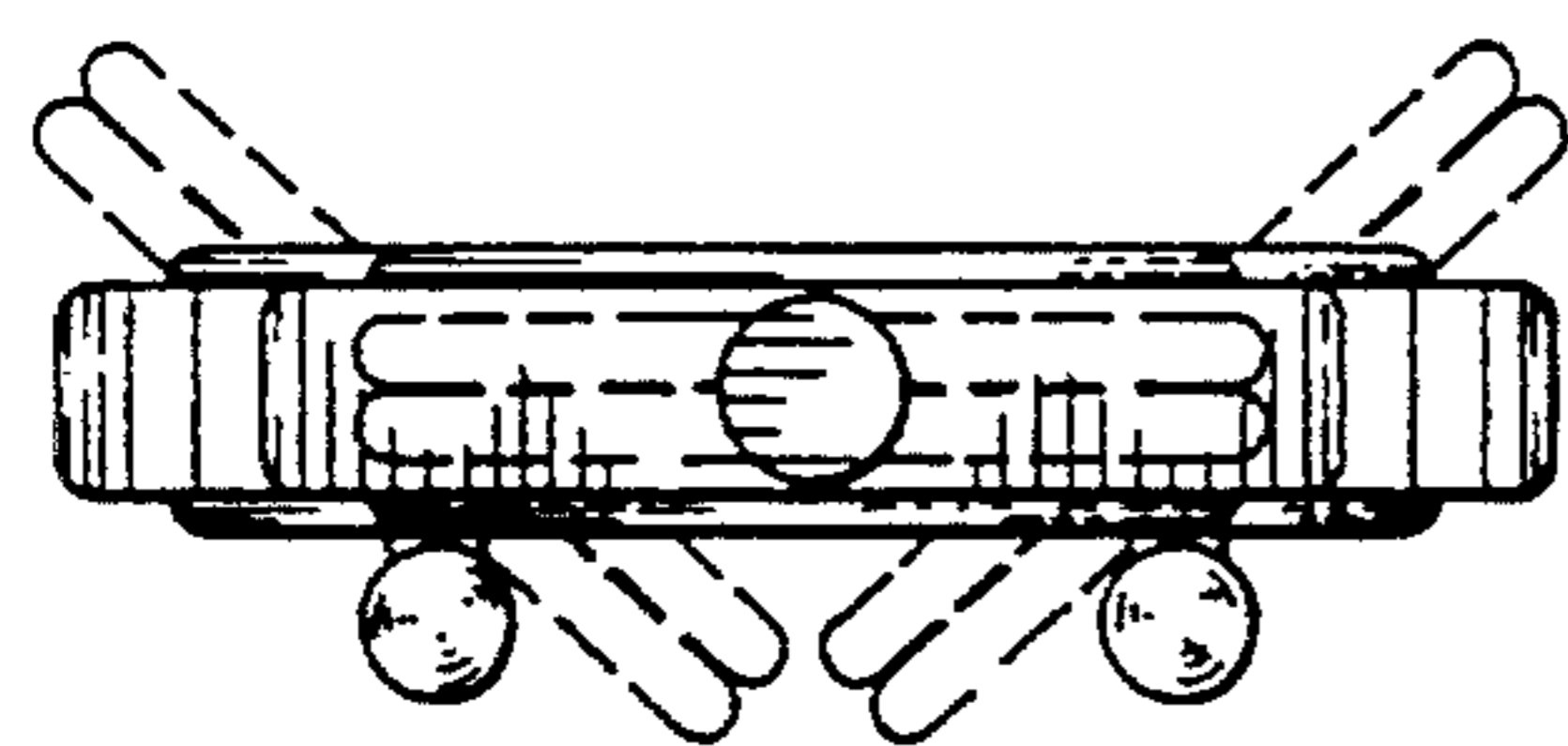


FIG. 13

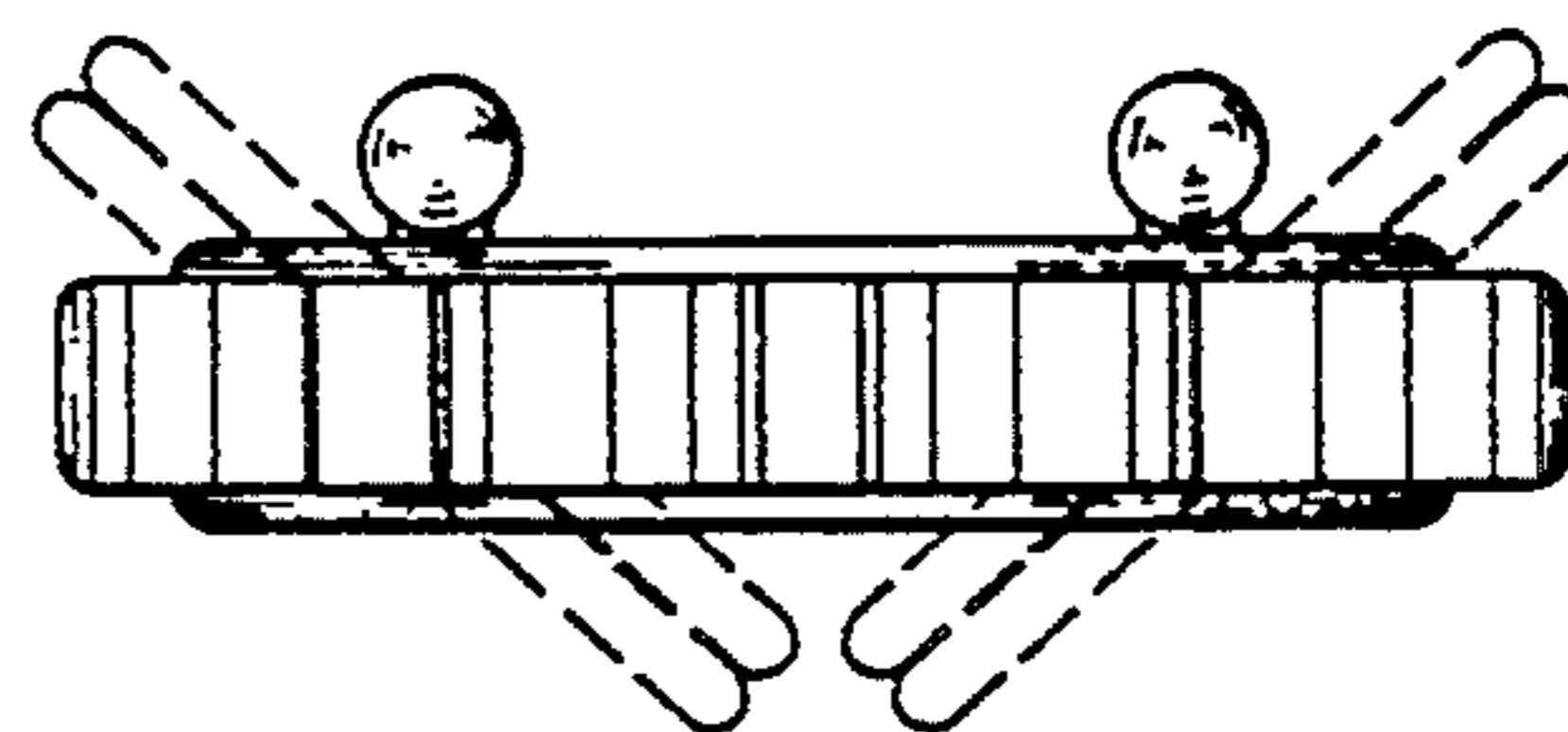


FIG. 14