



US00D359839S

United States Patent [19]

[11] Patent Number: **Des. 359,839**

Silva et al.

[45] Date of Patent: **** Jul. 4, 1995**

[54] **CONTOURED SHOELACE AND PERSONAL ITEM HOLDER**

3,103,725 9/1963 Robb et al. D2/316 X
3,132,394 5/1964 Russell D2/278 X
4,897,947 2/1990 Kass-Pious 224/253 X

[76] Inventors: **Ruth Silva**, 7810 Shady Villa,
Houston, Tex. 77055; **Robert
Graham**, 8930 Hazen, Houston, Tex.
77036

OTHER PUBLICATIONS

Drug & Cosmetic Industry, Jul. 1977—Compact at top center.

[**] Term: **14 Years**

Primary Examiner—Louis S. Zarfes

[21] Appl. No.: **524,826**

[57] CLAIM

[22] Filed: **May 18, 1990**

The ornamental design for a contoured shoe lace and personal item holder, as shown.

[52] U.S. Cl. **D2/946**

[58] Field of Search D3/40; D9/423, 424;
D2/265, 314, 278, 316, 946; D28/78, 83;
D11/2; D8/383; 36/132, 136; 24/712-712.7;
224/253

DESCRIPTION

FIG. 1 is a top perspective view of a shoe lace container showing our new design;
FIG. 2 is a front elevational view thereof;
FIG. 3 is a rear elevational view thereof;
FIG. 4 is a bottom plan view thereof;
FIG. 5 is a side elevational view taken from the right end of FIG. 2; and,
FIG. 6 is a top front perspective view showing the container open.

[56] References Cited

U.S. PATENT DOCUMENTS

D. 85,403 10/1931 Swanson D23/78
D. 262,150 12/1981 Sussman D28/83
D. 262,494 12/1981 Pokorny D11/2
3,010,627 11/1961 Hoover D11/2 X

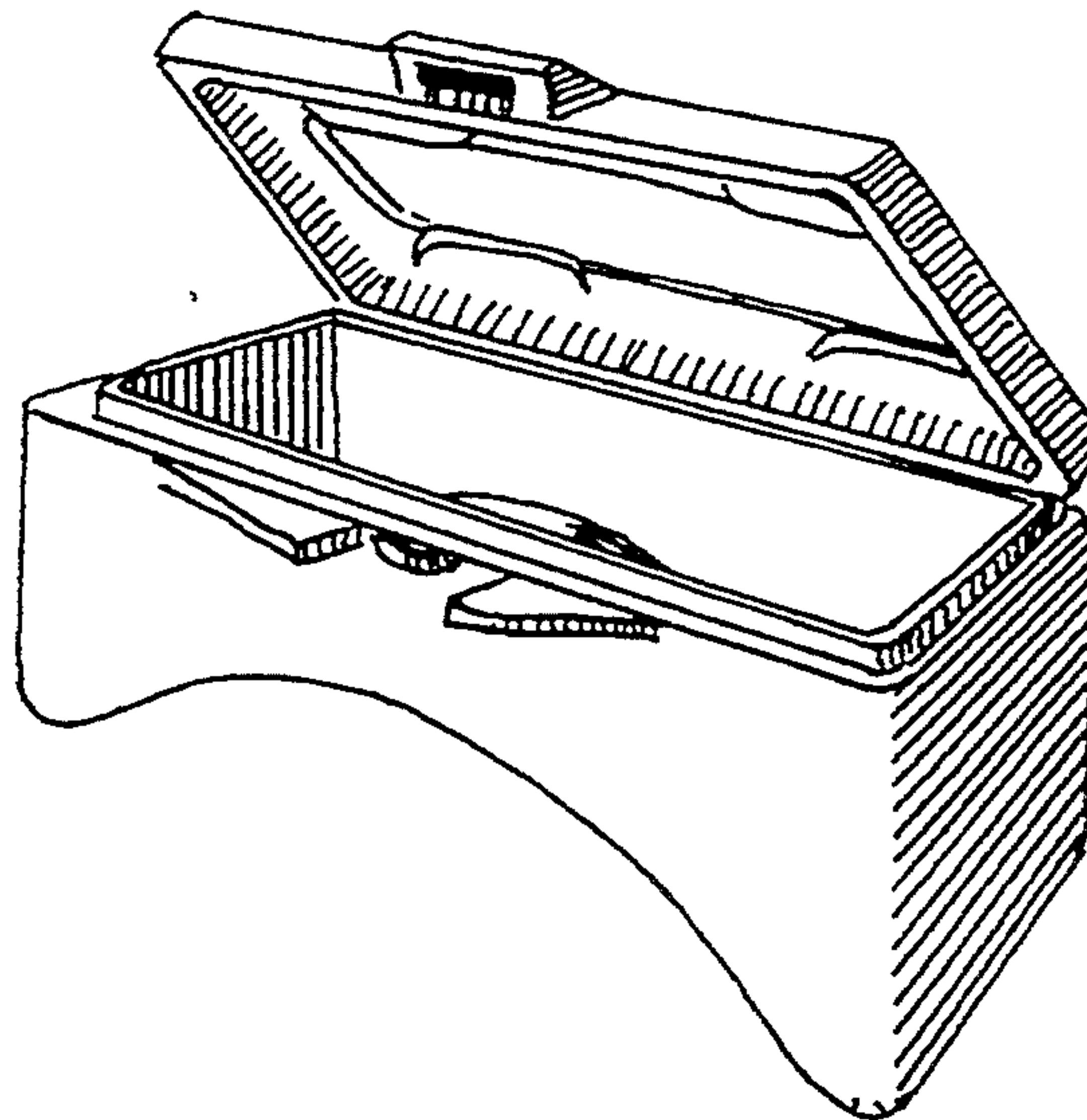


Fig 1

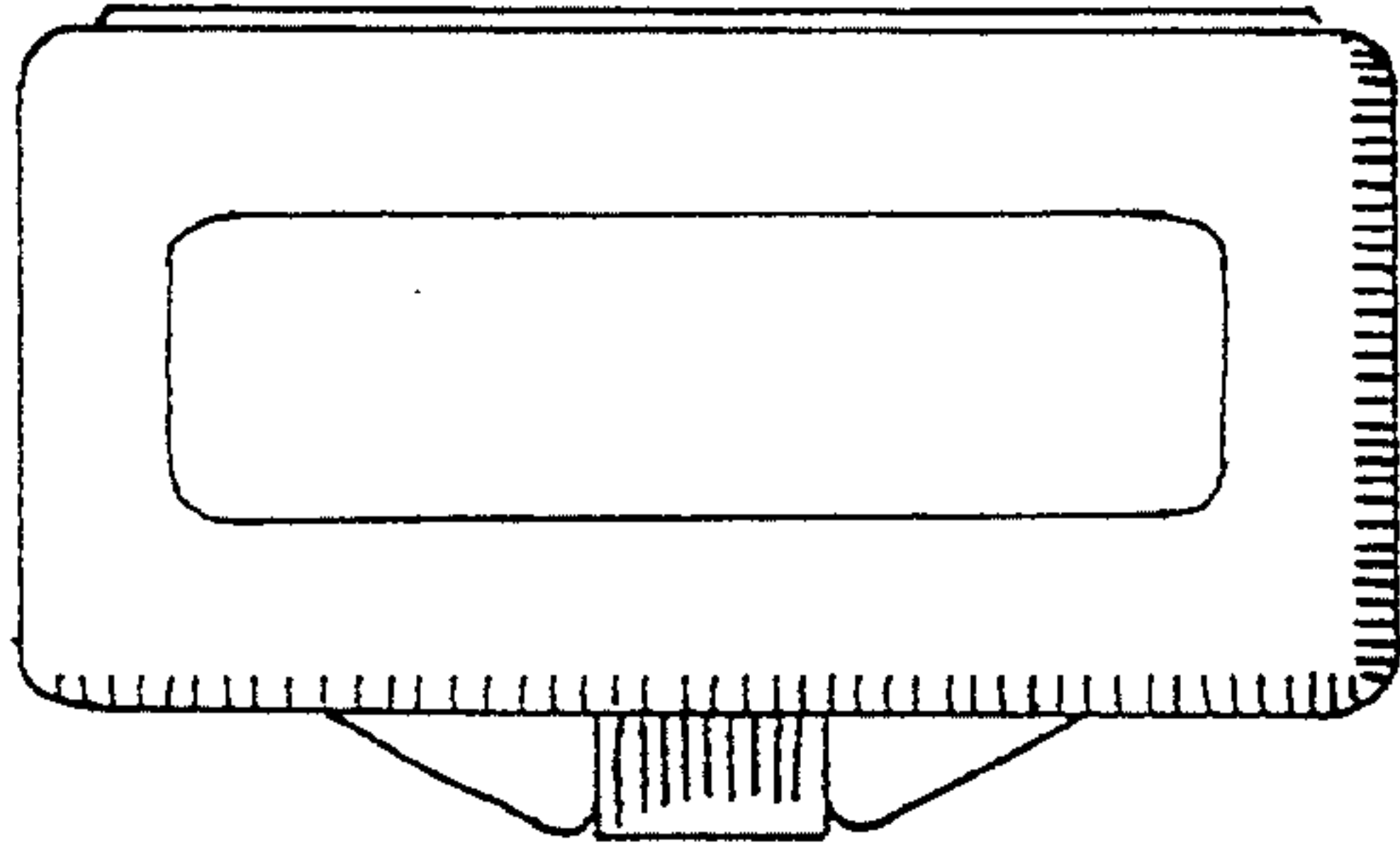


Fig 4

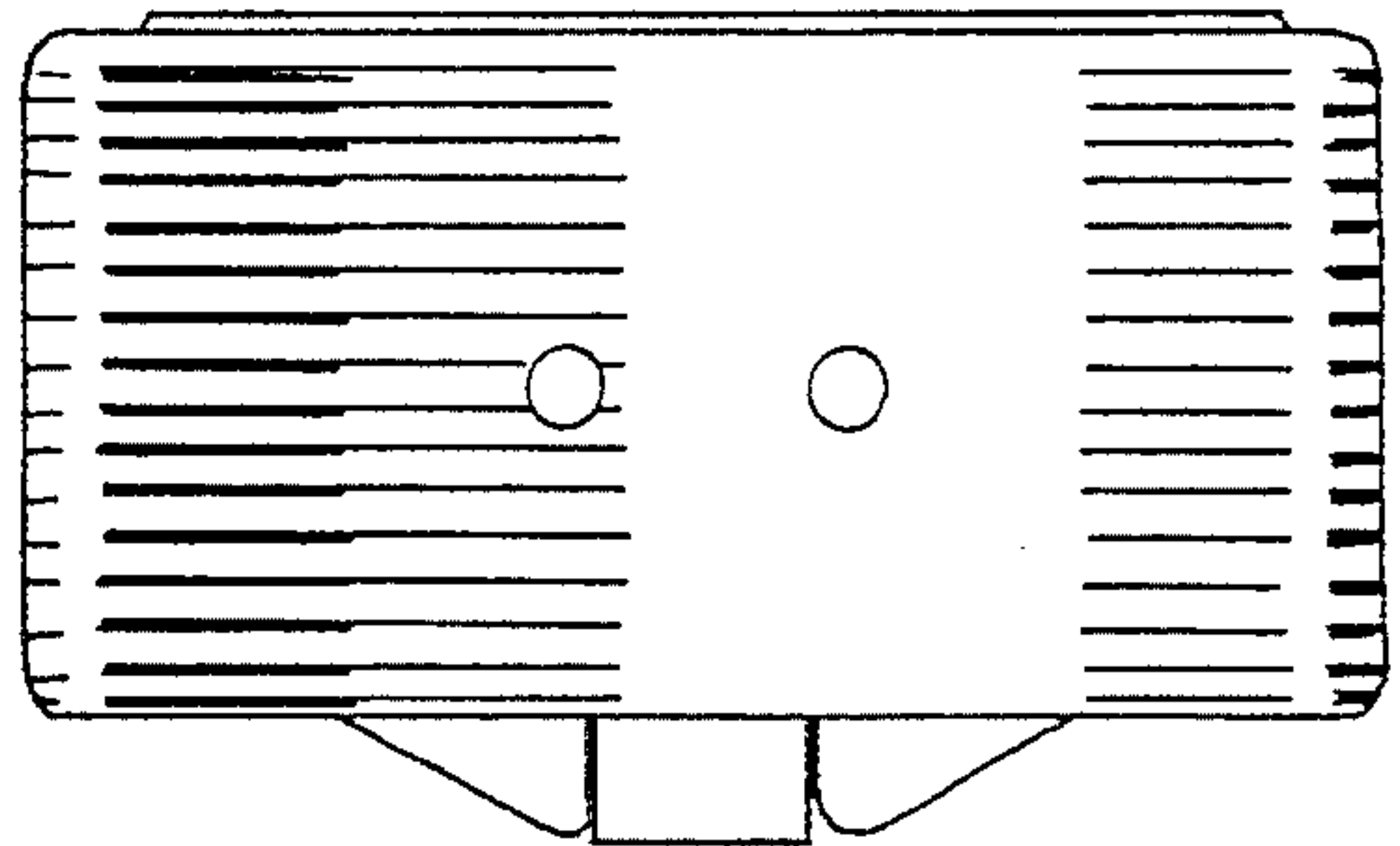


Fig 2

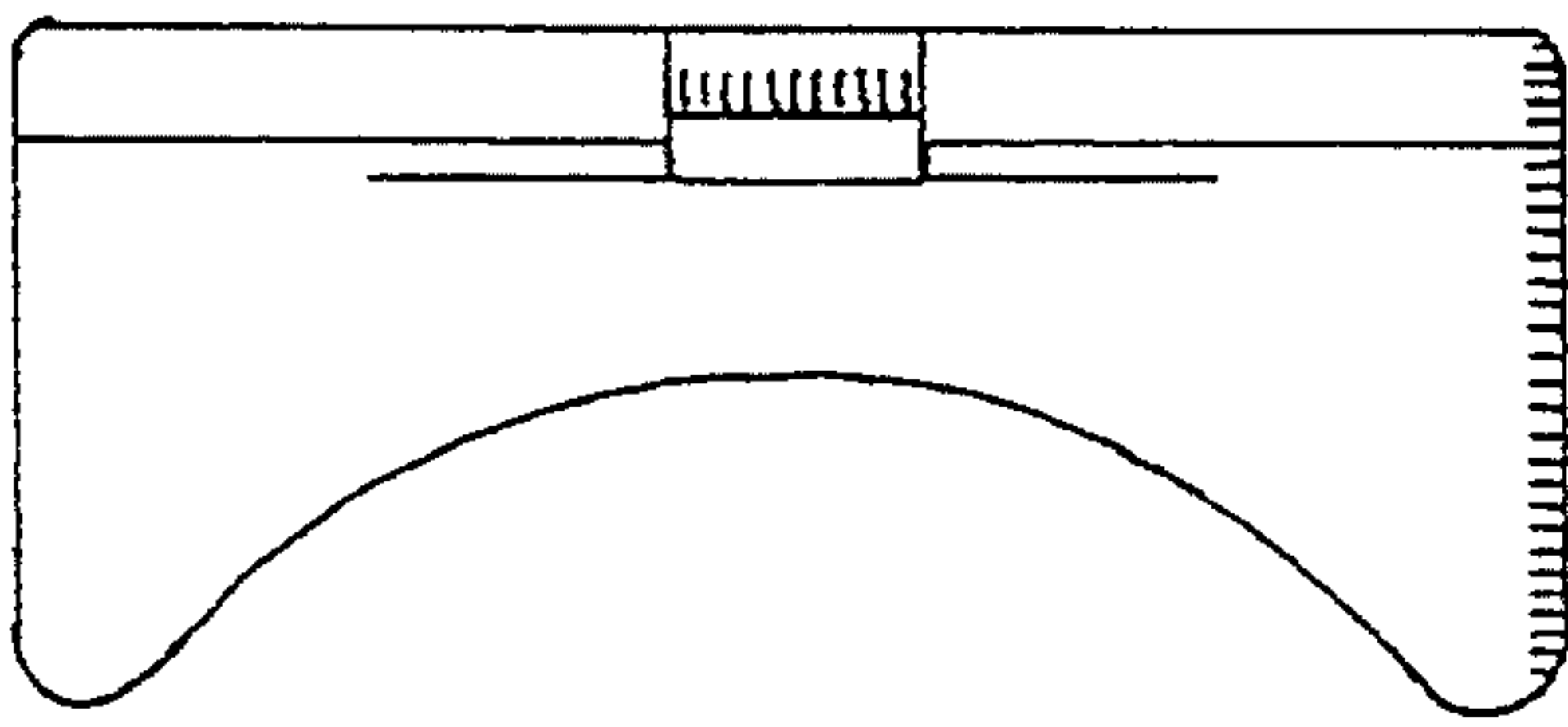


Fig 5

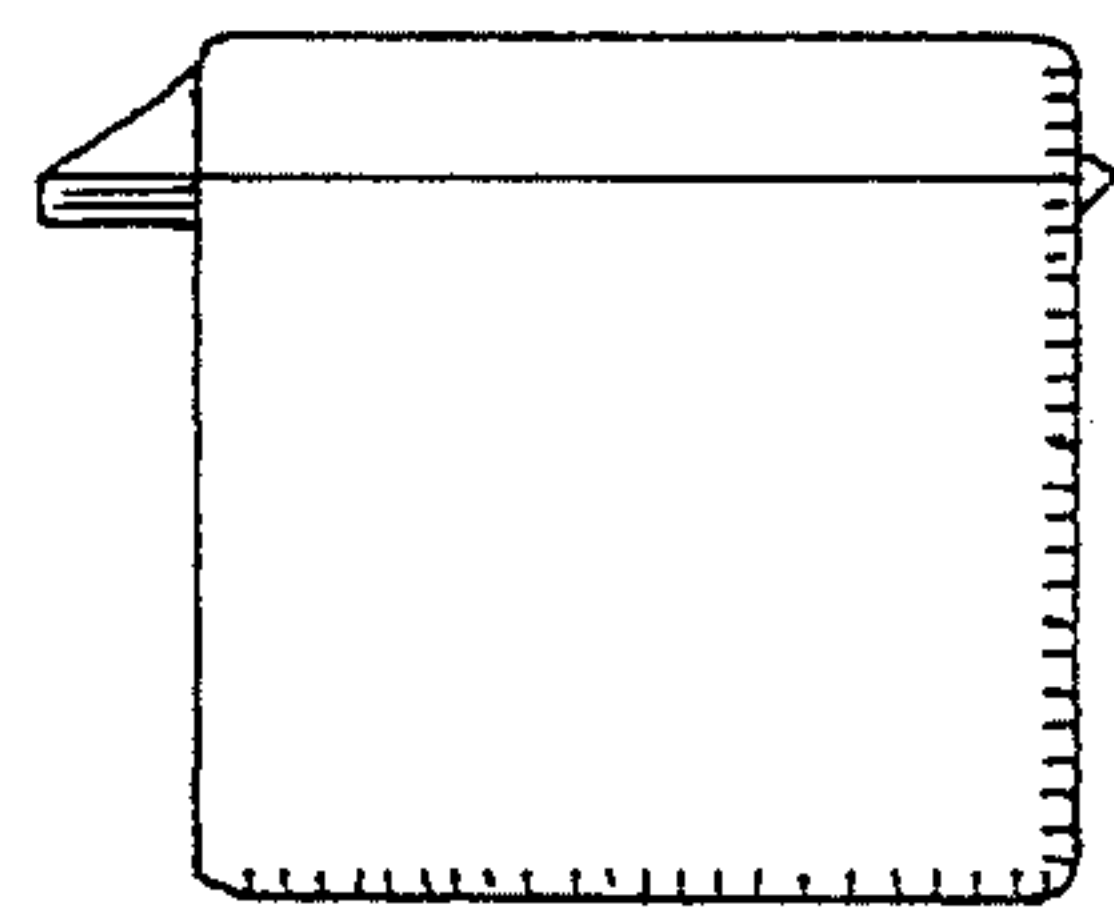


Fig 3

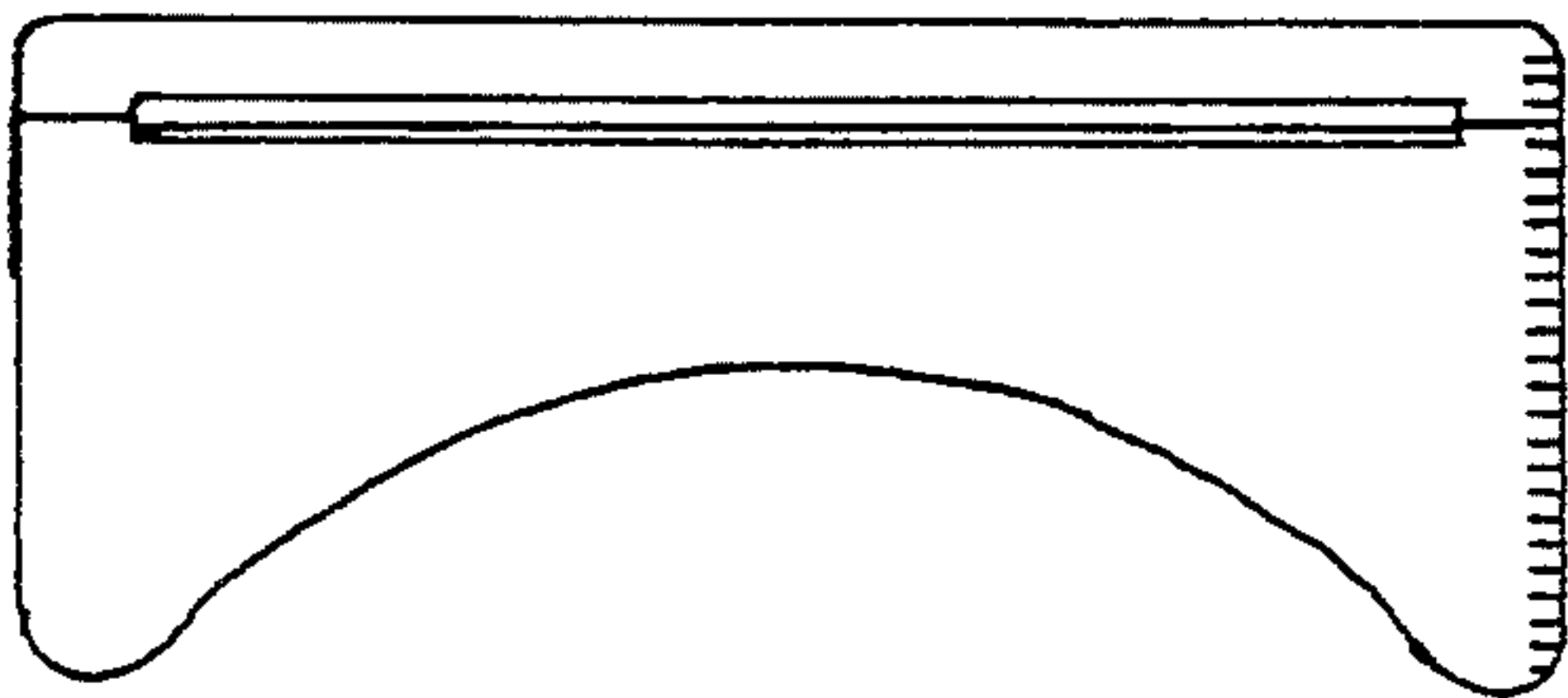


Fig 6

