



US00D359830S

United States Patent [19]

[11] Patent Number: Des. 359,830

Mikula et al.

[45] Date of Patent: ** Jun. 27, 1995

[54] DRUM

[75] Inventors: **John J. Mikula**, Kennesaw, Ga.;
John H. Malik, Naperville, Ill.

[73] Assignee: **Sonoco Products Company**,
Hartsville, S.C.

[**] Term: **14 Years**

[21] Appl. No.: **12,702**

[22] Filed: **Sep. 8, 1993**

[52] U.S. Cl. **D34/39**

[58] Field of Search **D34/39; 220/672, 601,**
220/669, 661, DIG. 1

3,650,653 3/1972 Erickson .
3,804,289 4/1974 Churan .
3,821,344 6/1974 Peters .
3,825,145 7/1974 Reynolds .
3,840,041 10/1974 McMurray .
3,843,005 10/1974 Uhlig .
3,889,839 6/1975 Simon et al. .
3,912,438 10/1975 Padovani .
3,927,790 12/1975 Chase et al. .
3,934,747 1/1976 Needt .
3,938,687 2/1976 Maier et al. .
3,949,034 4/1976 Uhlig .
3,955,705 5/1976 Dubois et al. .
3,985,257 10/1976 Shaffer et al. .
4,023,679 5/1977 Hammes .
4,033,473 7/1977 Raley et al. .
4,088,239 5/1978 Uhlig D34/39
4,094,432 6/1978 Zilbert .
4,117,062 9/1978 Uhlig .
4,169,537 10/1979 Sabreen et al. .
4,170,623 10/1979 Dubois et al. .
4,171,751 10/1979 Schütz .

[56] References Cited

U.S. PATENT DOCUMENTS

D. 200,842 4/1965 Baranano .
D. 230,956 3/1974 Bystedt et al. .
D. 244,832 6/1977 Carter D34/39
D. 287,461 12/1986 Bussell .
D. 295,108 4/1988 Pryztulla .
D. 319,133 8/1991 Pryztulla .
D. 319,134 8/1991 Pryztulla .
D. 332,049 12/1992 Burgdorf D34/39
D. 344,385 2/1994 Przytulla D34/39
997,556 7/1911 Hoyer .
2,124,565 3/1934 Goll et al. .
2,132,722 10/1938 Coakley .
2,146,381 2/1939 Rheem .
2,673,010 3/1954 Barrow .
2,686,610 8/1954 Sharpnack, Sr. .
2,711,264 6/1955 Benson .
2,936,481 5/1960 Wilkalis et al. .
2,936,489 5/1960 Sherman .
2,975,931 3/1961 Harrison .
3,042,855 10/1961 Hagen .
3,050,773 8/1962 Hagen .
3,107,568 2/1965 Carter .
3,214,797 11/1965 Ollier et al. .
3,250,429 5/1966 Gesell .
3,294,271 12/1966 Armbruster .
3,298,514 1/1967 Erickson .
3,342,915 9/1967 Wanderer .
3,348,721 10/1967 Trevarrow, Jr. .
3,501,047 3/1970 Raabe .
3,516,571 6/1970 Roper et al. .
3,561,629 2/1971 Turner .
3,647,110 3/1972 Hammes .

(List continued on next page.)

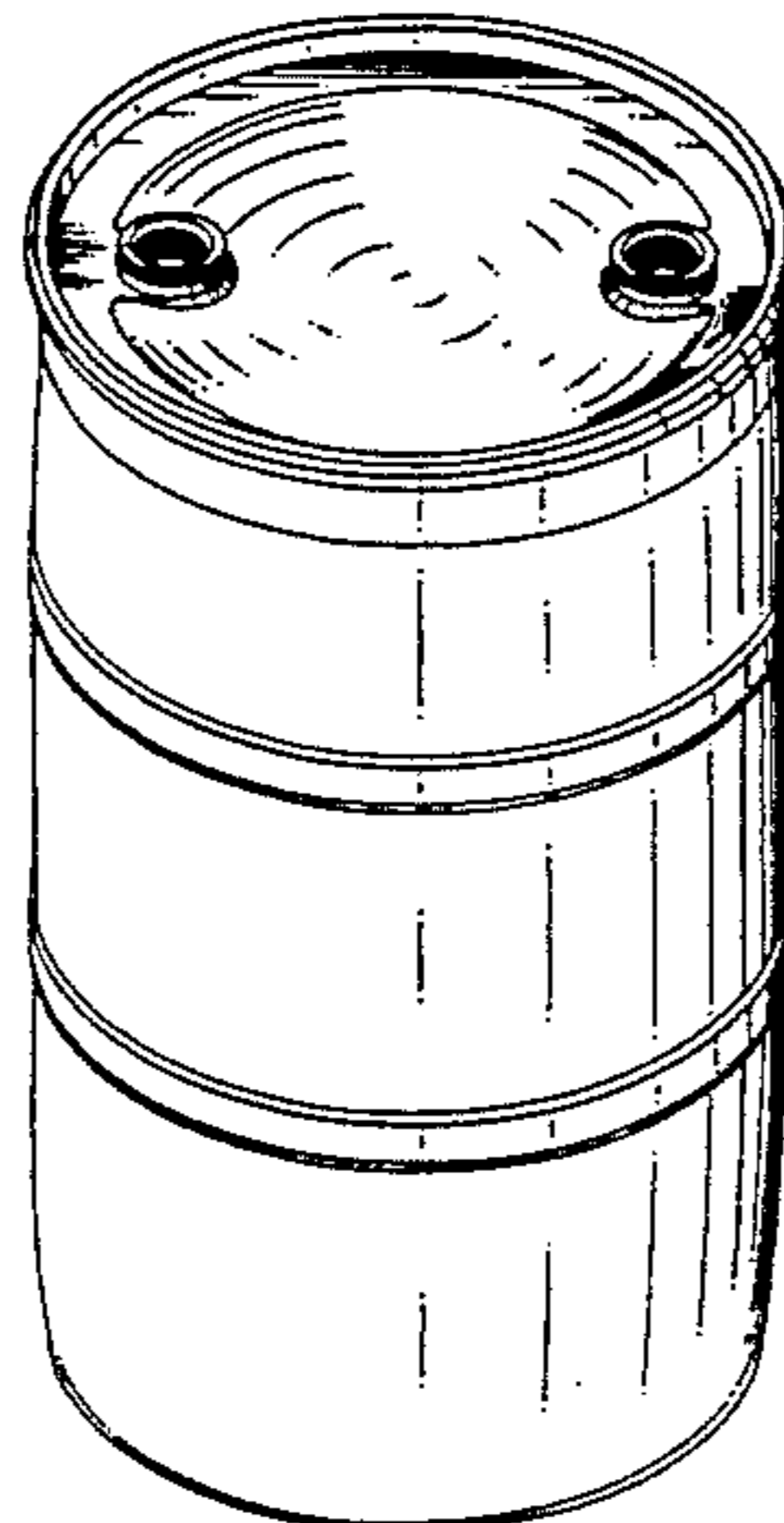
Primary Examiner—Lucy J. Lieberman
Attorney, Agent, or Firm—Bell, Seltzer, Park & Gibson

[57] CLAIM

The ornamental design for a drum, as shown and described.

DESCRIPTION

FIG. 1 is a top perspective view of a drum showing our new design;
FIG. 2 is a top plan view thereof on a smaller scale;
FIG. 3 is a front elevational view thereof also on a smaller scale, the rear and side elevational views are the same;
FIG. 4 is a fragmentary vertical sectional view of upper portions of the drum taken along line 4—4 of FIG. 2 but on a larger scale;
FIG. 5 is another fragmentary vertical sectional view of upper portions of the drum taken along line 5—5 of FIG. 2 and also on a larger scale; and,
FIG. 6 is a vertical sectional view of the entire drum taken along line 6—6 of FIG. 2 but on a larger scale.
The bottom of the drum is flat and unornamented.



U.S. PATENT DOCUMENTS					
4,201,306	5/1980	Dubois et al. .	4,540,544	9/1985	Jakobsen et al. .
4,203,526	5/1980	Stoll, III D34/39 X	4,643,323	2/1987	Schütz .
4,209,104	6/1980	Speas .	4,648,522	3/1987	Wise .
4,228,122	10/1980	Hammes .	4,674,648	6/1987	Przytulla .
4,228,911	10/1980	Hammes .	4,713,207	12/1987	Udell et al. .
4,231,488	11/1980	Ward et al. .	4,736,862	4/1988	Hammes et al. .
4,257,527	3/1981	Snyder et al. .	4,767,021	8/1988	Pies .
4,264,016	4/1981	Speas .	4,768,673	9/1988	Przytulla .
4,294,374	10/1981	Ames .	4,823,683	4/1989	Meisner .
4,372,458	2/1983	Carlson .	4,840,289	6/1989	Fait et al. .
4,378,328	3/1983	Przytulla et al. .	4,849,154	7/1989	Masumoto .
4,380,303	4/1983	Allen et al. .	4,898,296	2/1990	Burgdorf et al. 220/DIG. 1 X
4,385,709	5/1983	Ames .	4,903,852	2/1990	Masumoto .
4,412,628	11/1983	Whitney .	4,925,049	5/1990	Przytulla .
4,489,847	12/1984	Ames .	4,962,863	10/1990	Wendling et al. .
4,500,007	2/1985	Stoll, III .	4,972,963	11/1990	Guarriello et al. .
4,525,401	6/1985	Pocock et al. .	5,018,642	5/1991	Pyzytulla .
			5,033,639	7/1991	Przytulla .

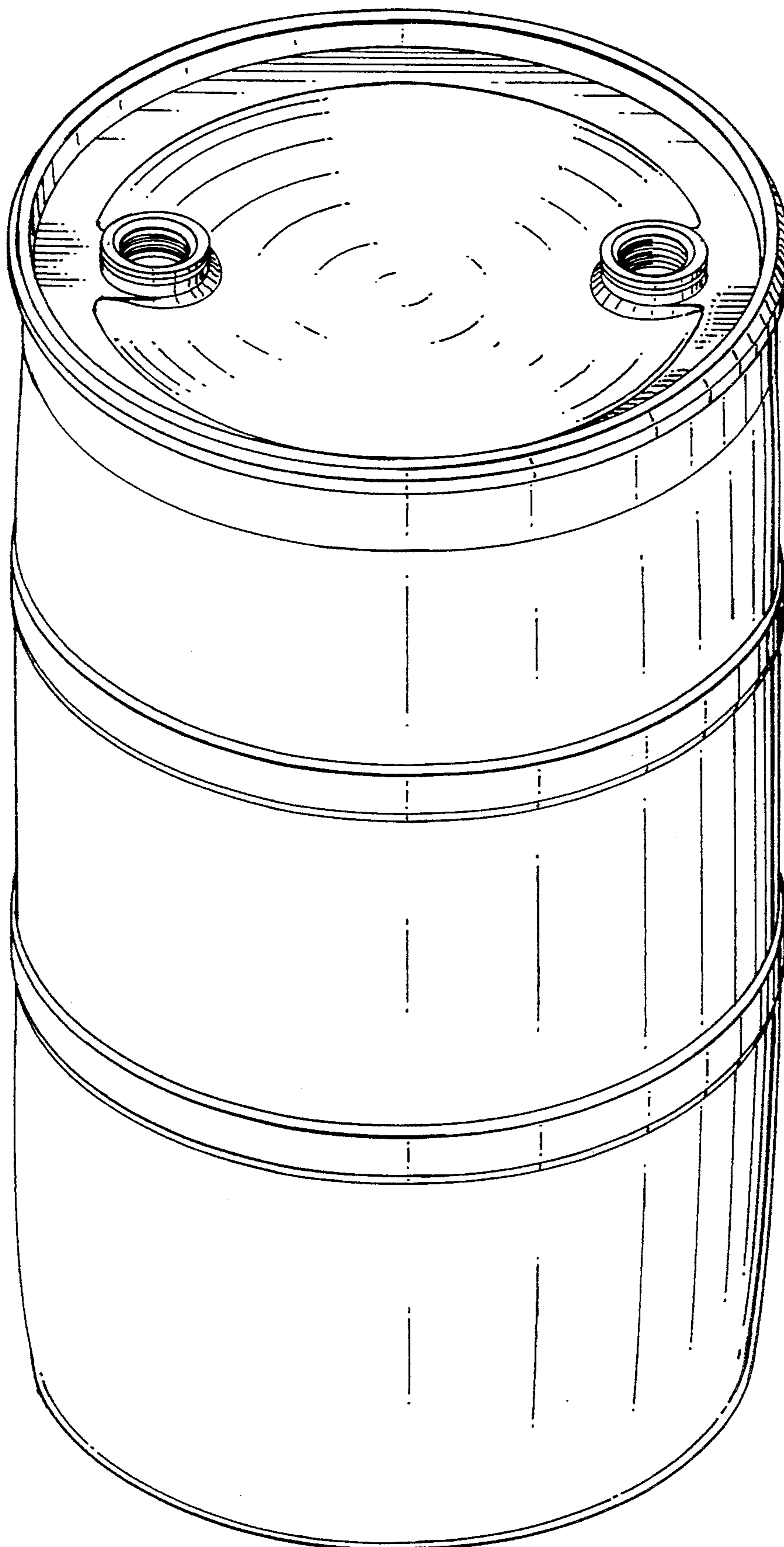


FIG-1

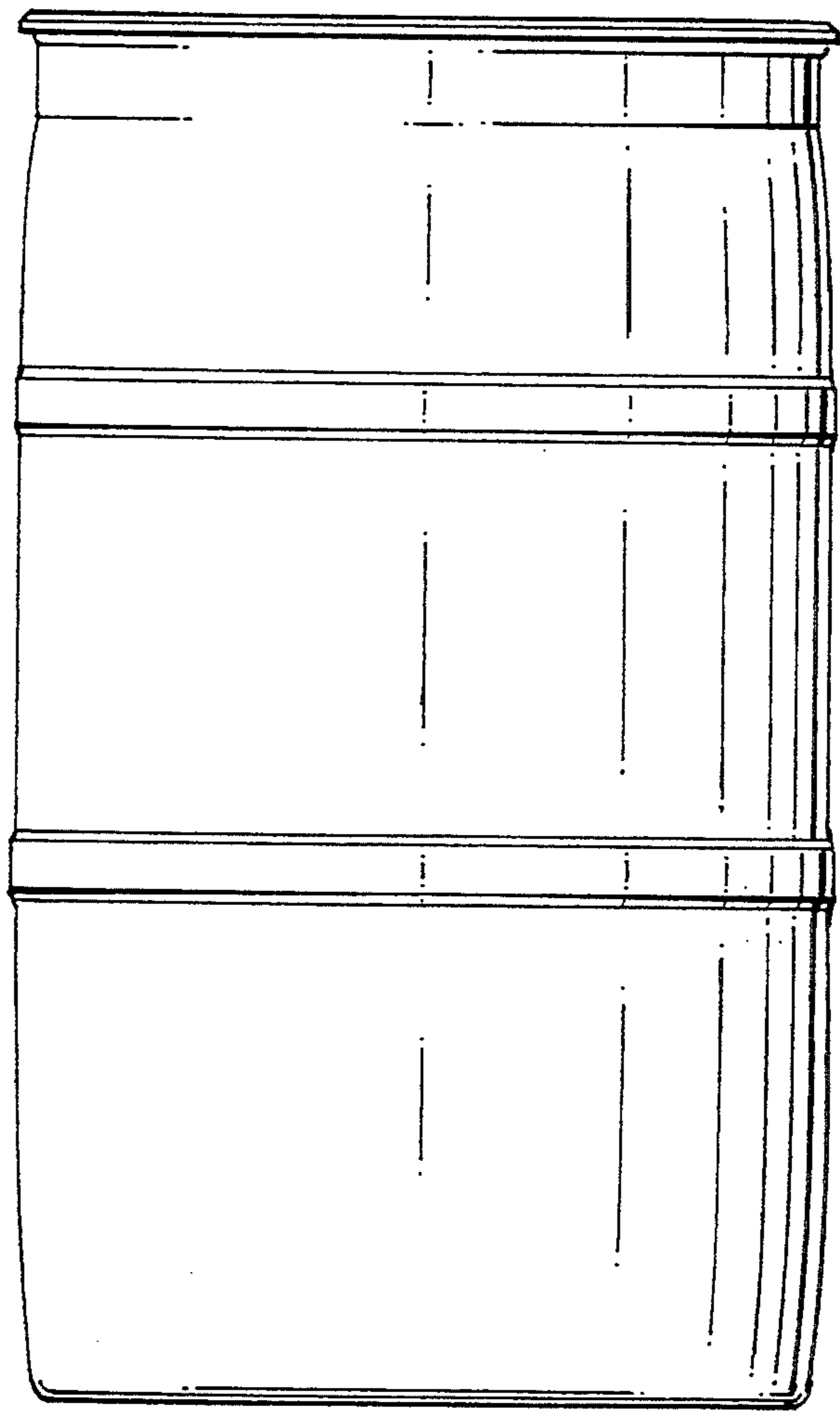
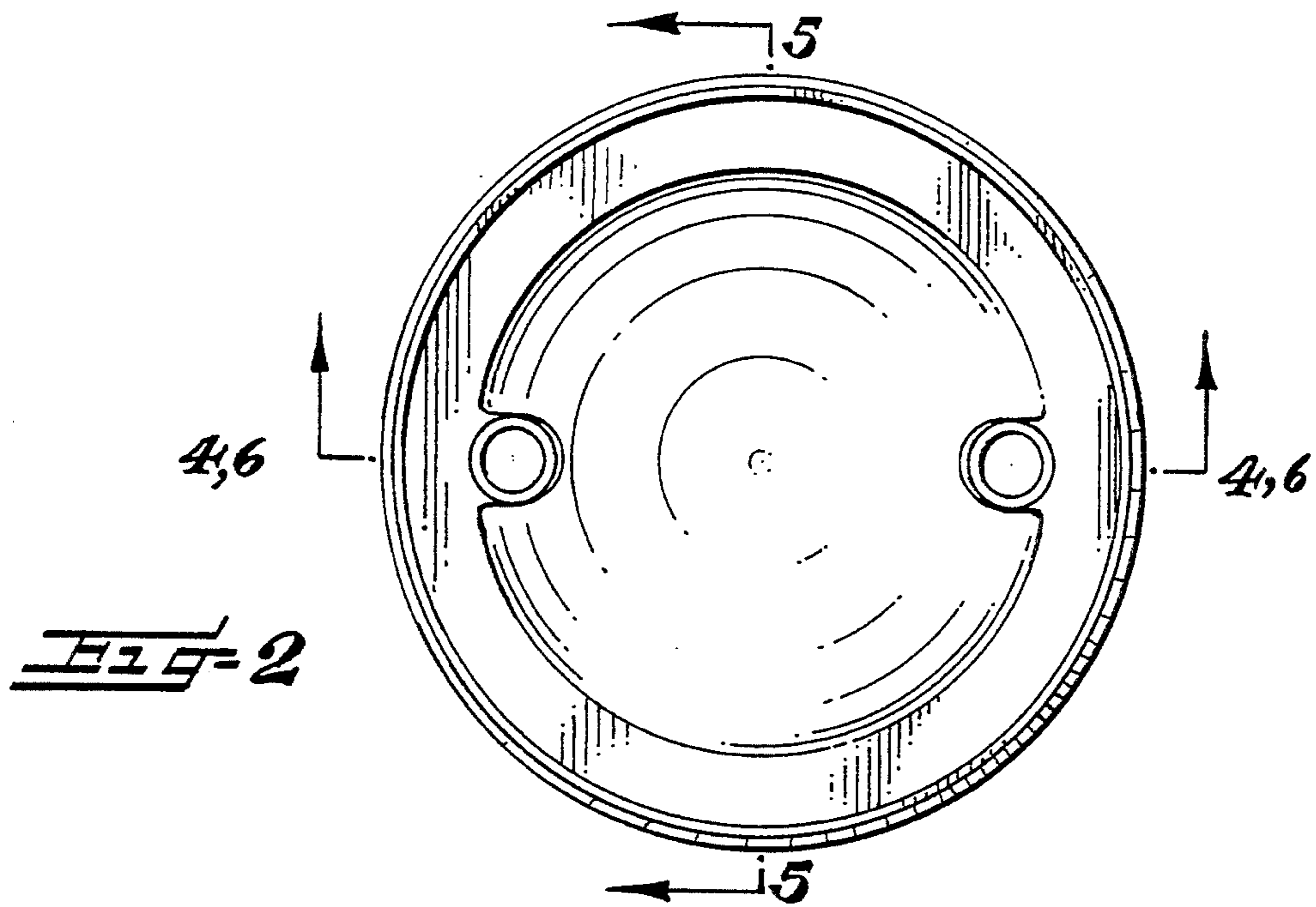
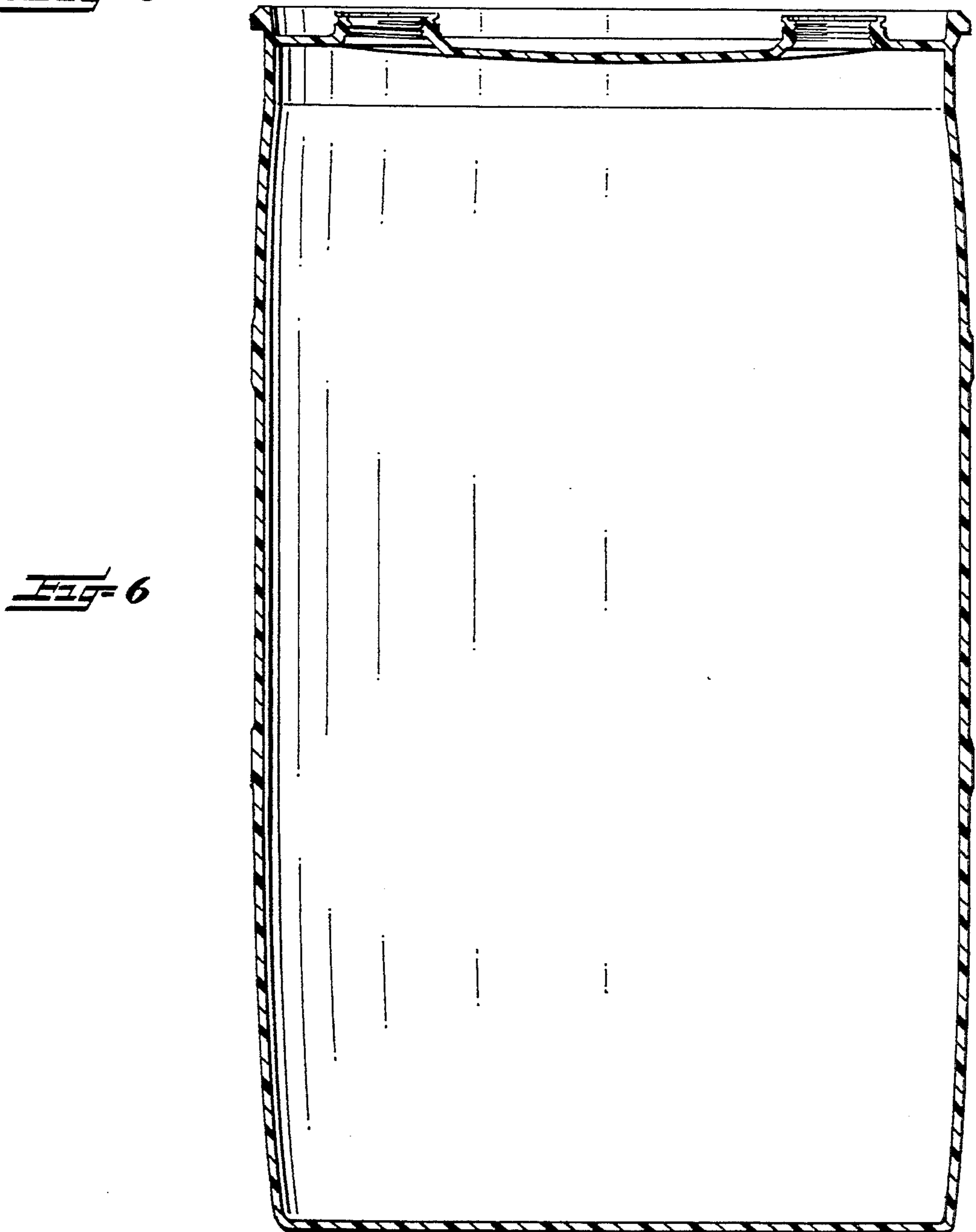
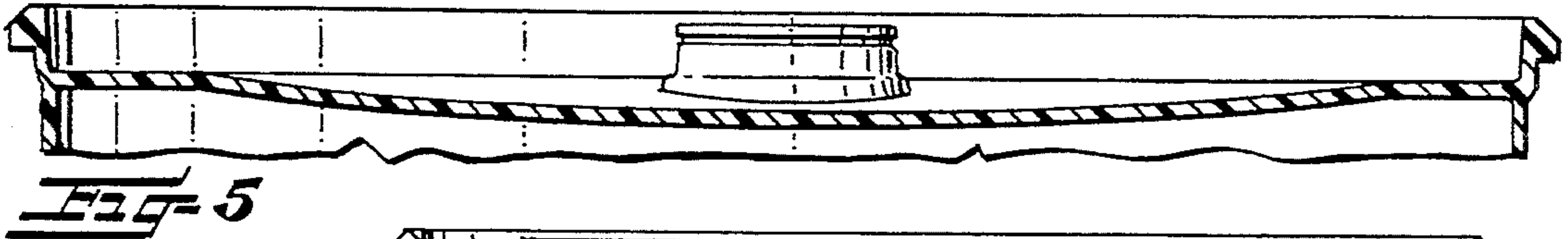
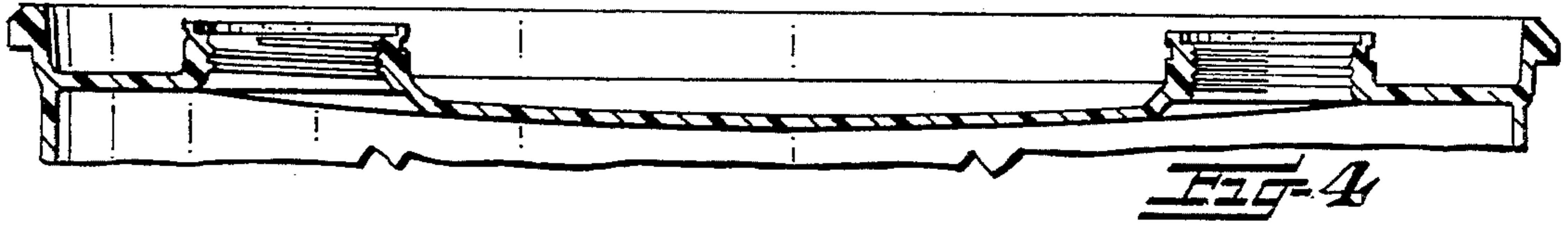


FIG. 3



UNITED STATES PATENT AND TRADEMARK OFFICE
CERTIFICATE OF CORRECTION

PATENT NO. : **Des. 359,830**

DATED : **June 27, 1995**

INVENTOR(S) : **John J. Mikula and John H. Malik**

It is certified that error appears in the above-identified patent and that said Letters Patent is hereby corrected as shown below:

ON THE COVER PAGE, References Cited, U.S. Patent Documents:

"3,042,855" should be -- 3,004,285 --.

"3,107,568" should be -- 3,170,568 --.

Signed and Sealed this
Seventeenth Day of October, 1995

Attest:



BRUCE LEHMAN

Attesting Officer

Commissioner of Patents and Trademarks