



US00D359827S

# United States Patent [19]

[11] Patent Number: **Des. 359,827**

**Biasini**

[45] Date of Patent: **\*\* Jun. 27, 1995**

[54] **MOBILE MUSIC STAND STORAGE RACK**

[76] Inventor: **Americole Biasini**, 2101 Ontario, Bellingham, Wash. 98226

[\*\*] Term: **14 Years**

[21] Appl. No.: **19,413**

[22] Filed: **Mar. 1, 1994**

[52] U.S. Cl. .... **D34/17; D34/12**

[58] Field of Search ..... **D34/12, 17, 22, 18; 211/27, 24, 60; 280/79.3, 79.11**

[56] **References Cited**

**U.S. PATENT DOCUMENTS**

D. 230,968	3/1974	Anderson	.....	D34/17
D. 268,140	3/1983	Tenner	.....	D34/17
4,315,633	2/1982	Boeddeker et al.	.....	280/79.3

*Primary Examiner*—Kay H. Chin  
*Attorney, Agent, or Firm*—Robert B. Hughes; Richard D. Multer; Michael R. Schacht

[57] **CLAIM**

The ornamental design for a mobile music stand storage rack, as shown and described.

**DESCRIPTION**

FIG. 1 is a front perspective view of a mobile music stand storage rack showing my new design; FIG. 2 is a side elevational view thereof, the opposite side view being identical, the broken lines are for illustrative purposes only and form no part of the claimed design; FIG. 3 is a front elevational view thereof; FIG. 4 is a rear elevational view thereof; FIG. 5 is a top plan view thereof; and, FIG. 6 is a bottom plan view thereof.

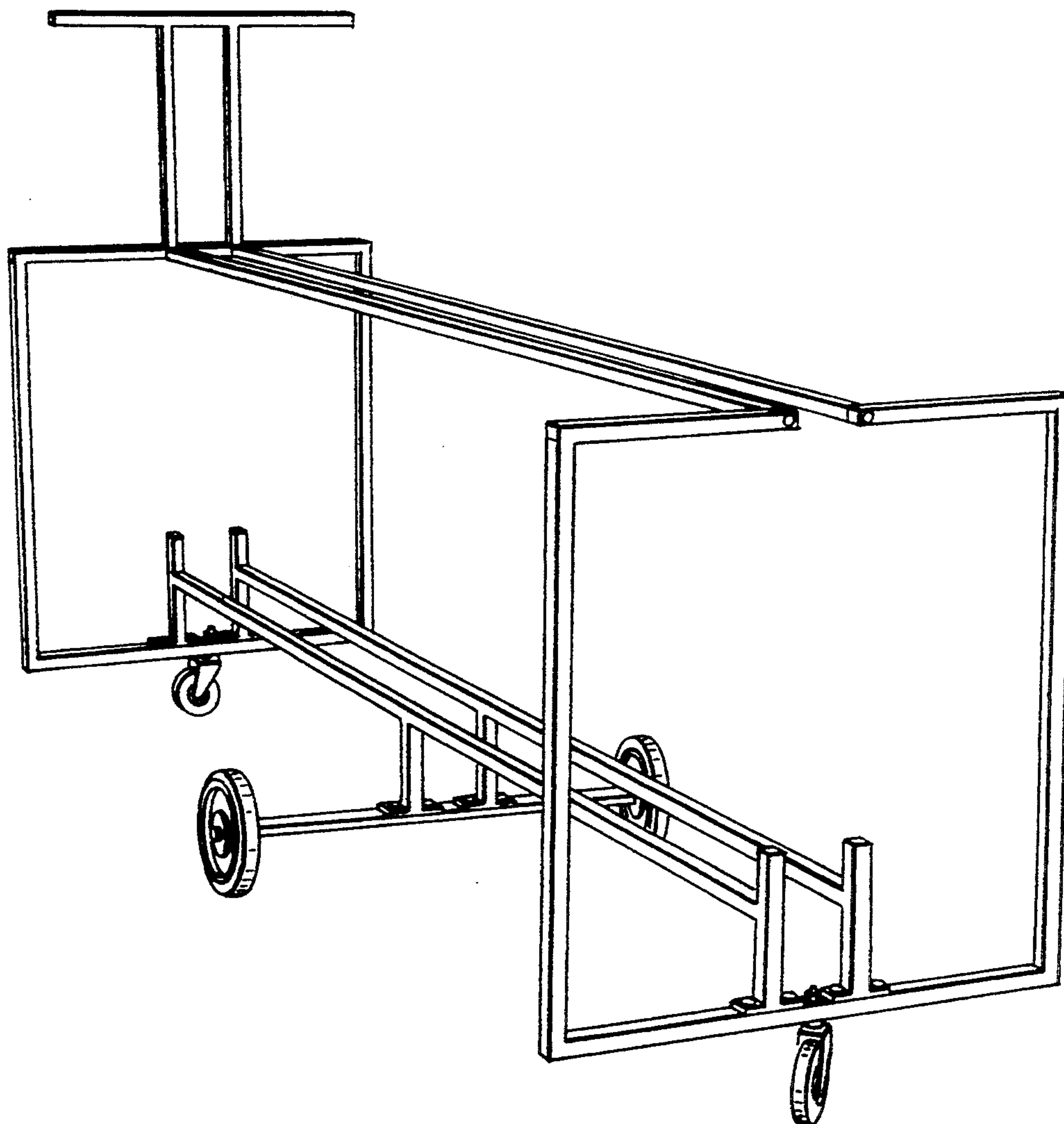


FIG. 1

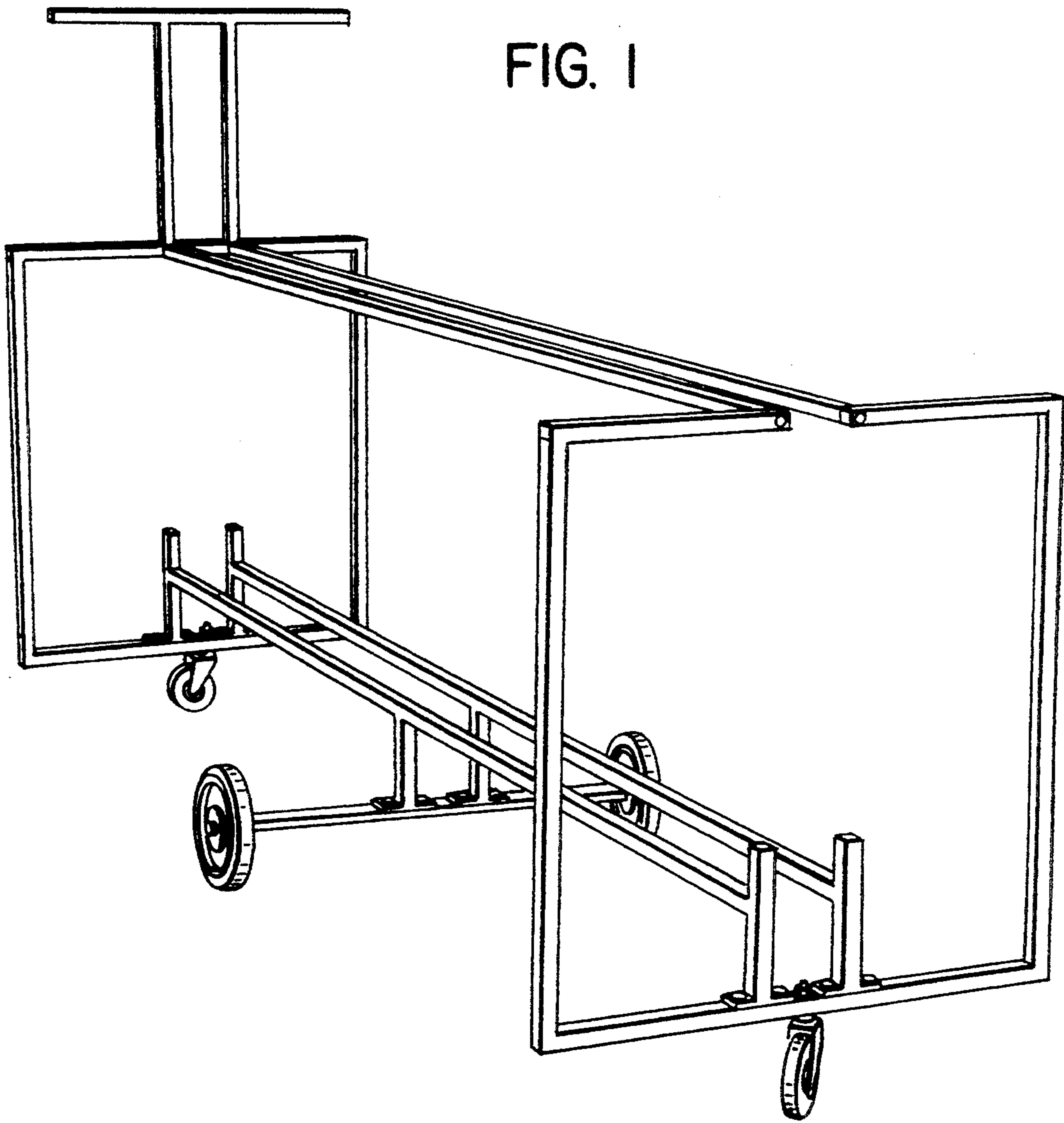


FIG. 2

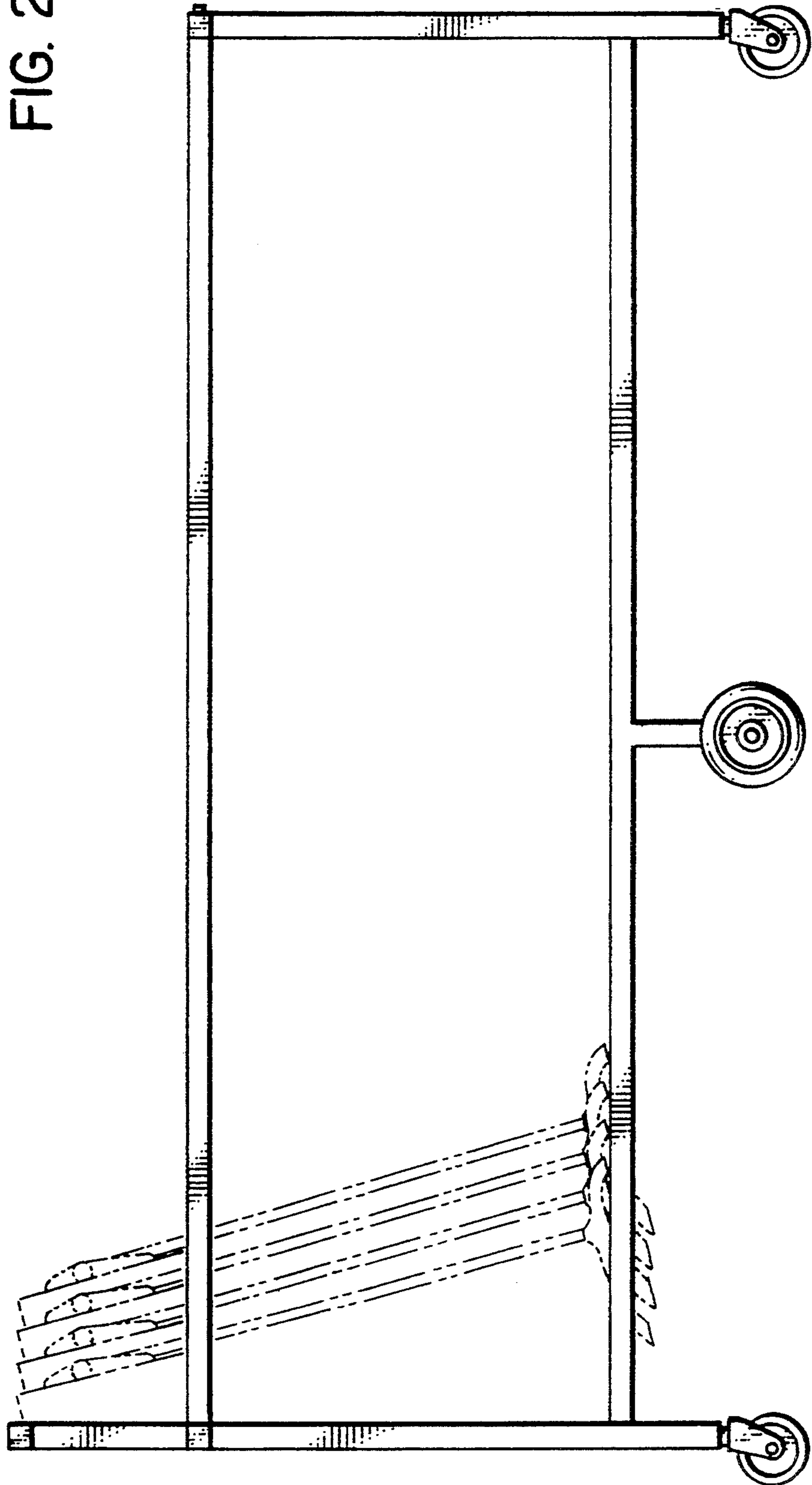


FIG. 3

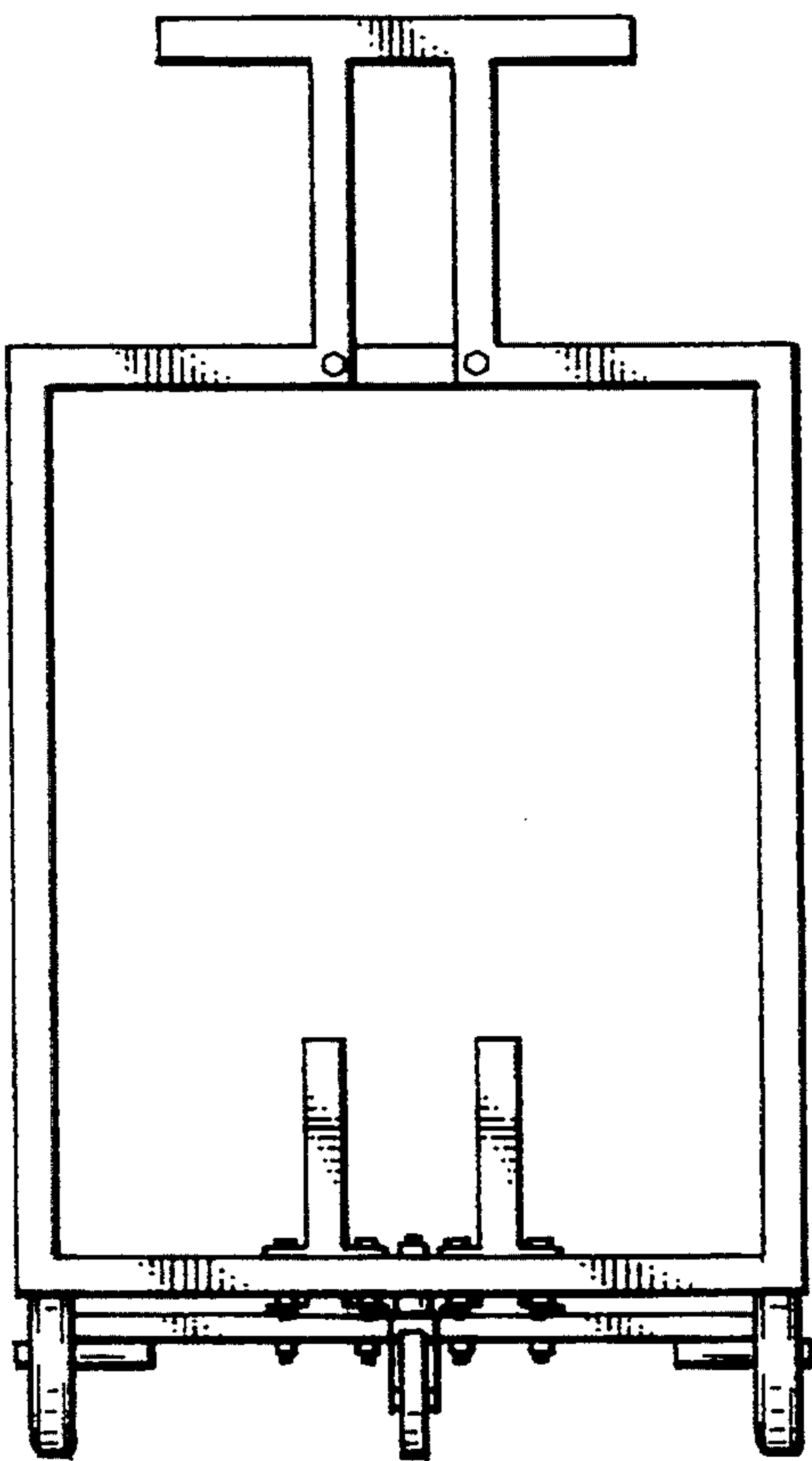


FIG. 4

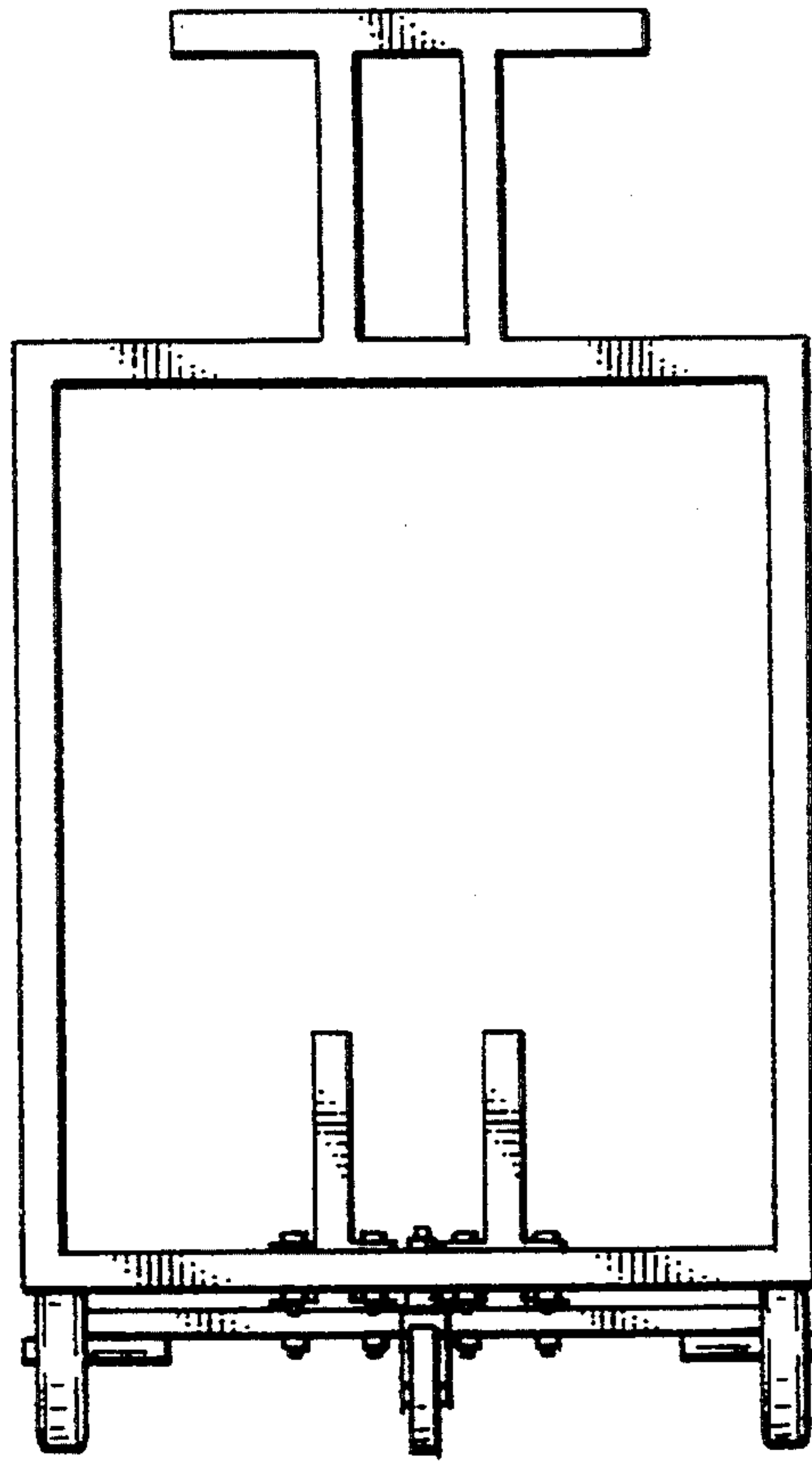


FIG. 5

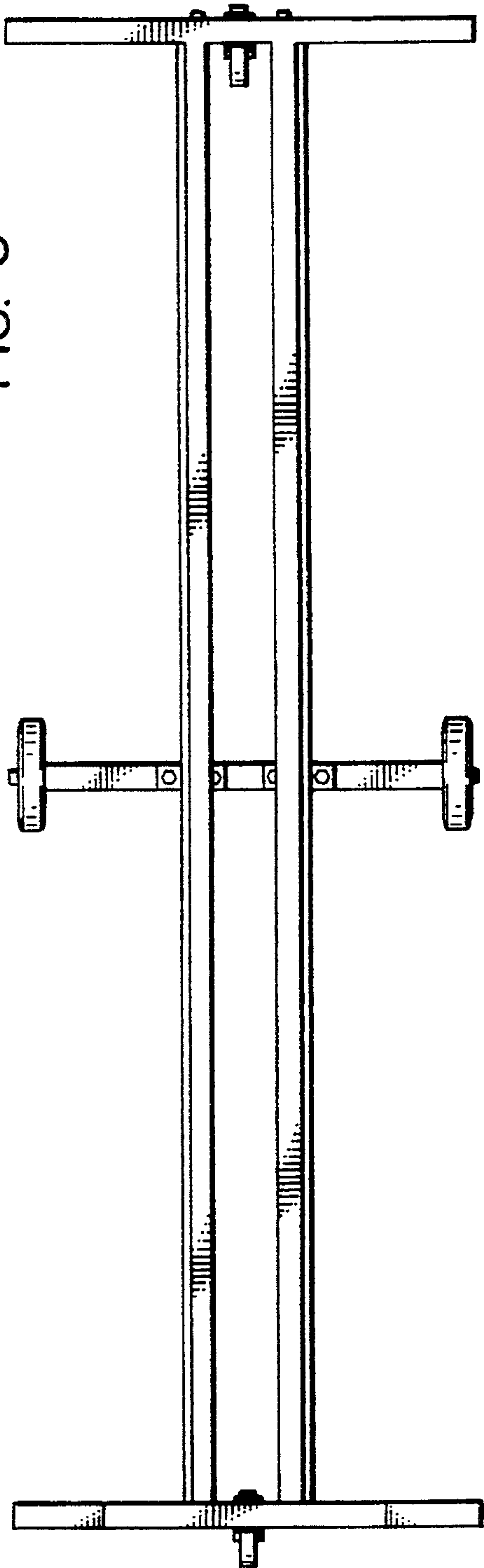


FIG. 6

