



US00D359826S

United States Patent [19] Scarlett

[11] **Patent Number: Des. 359,826**
[45] **Date of Patent: ** Jun. 27, 1995**

[54] **REFUSE FUNNEL**

[76] **Inventor: Thomas J. Scarlett, 28576 Green Willow, Farmington Hills, Mich. 48331**

[**] **Term: 14 Years**

[21] **Appl. No.: 27,418**

[22] **Filed: Aug. 22, 1994**

[52] **U.S. Cl. D34/10; D34/6**

[58] **Field of Search D34/1, 5-11; 141/313-316, 390, 391; 248/94; 294/55; 220/908-911; D7/700**

617,961	1/1899	Johnson	141/314
1,765,346	6/1980	Rosenfeld	141/314
4,273,167	6/1981	Stillwell	141/314
4,892,224	1/1990	Graham	D34/5

Primary Examiner—Brian N. Vinson
Assistant Examiner—Robin V. Taylor
Attorney, Agent, or Firm—James A. Hudak

[57] CLAIM

The ornamental design for a refuse funnel, as shown and described.

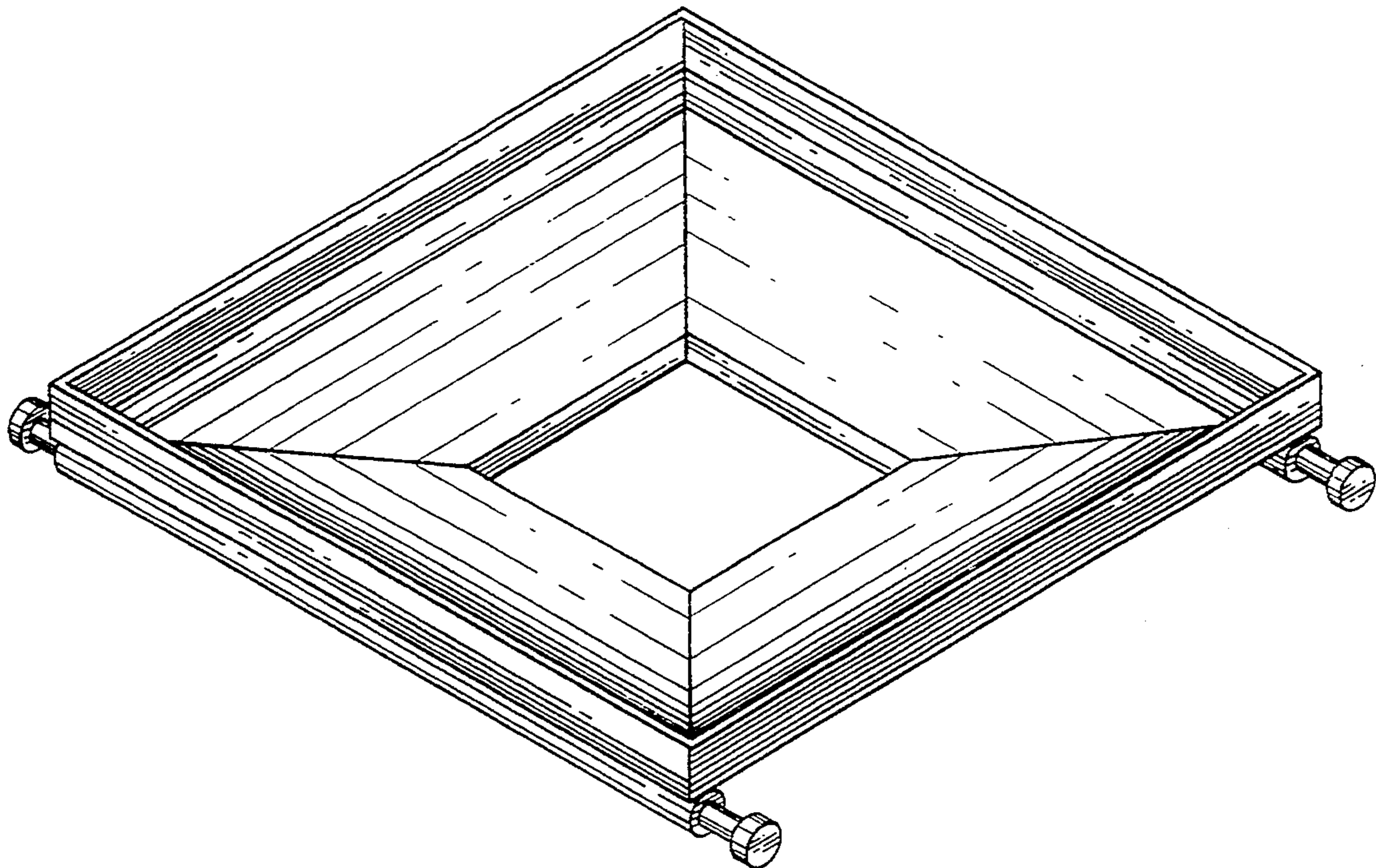
DESCRIPTION

FIG. 1 is a perspective view of the refuse funnel showing my new design;
FIG. 2 is a front elevational view thereof; the rear elevational view being a mirror image of the view shown in this Figure;
FIG. 3 is a left side elevational view thereof; the right side elevational view being a mirror image of the view shown in this Figure;
FIG. 4 is a top plan view thereof; and,
FIG. 5 is a bottom plan view thereof.

[56] References Cited

U.S. PATENT DOCUMENTS

D. 220,947	6/1971	Mirabile	D34/10
D. 243,158	1/1977	Bolwell	D9/434
D. 304,872	11/1989	Jebb	D34/1
D. 309,966	8/1990	Bishop	D34/5
D. 323,296	1/1992	Schoenthaler	D34/5
D. 337,190	6/1993	Juergens	D34/11



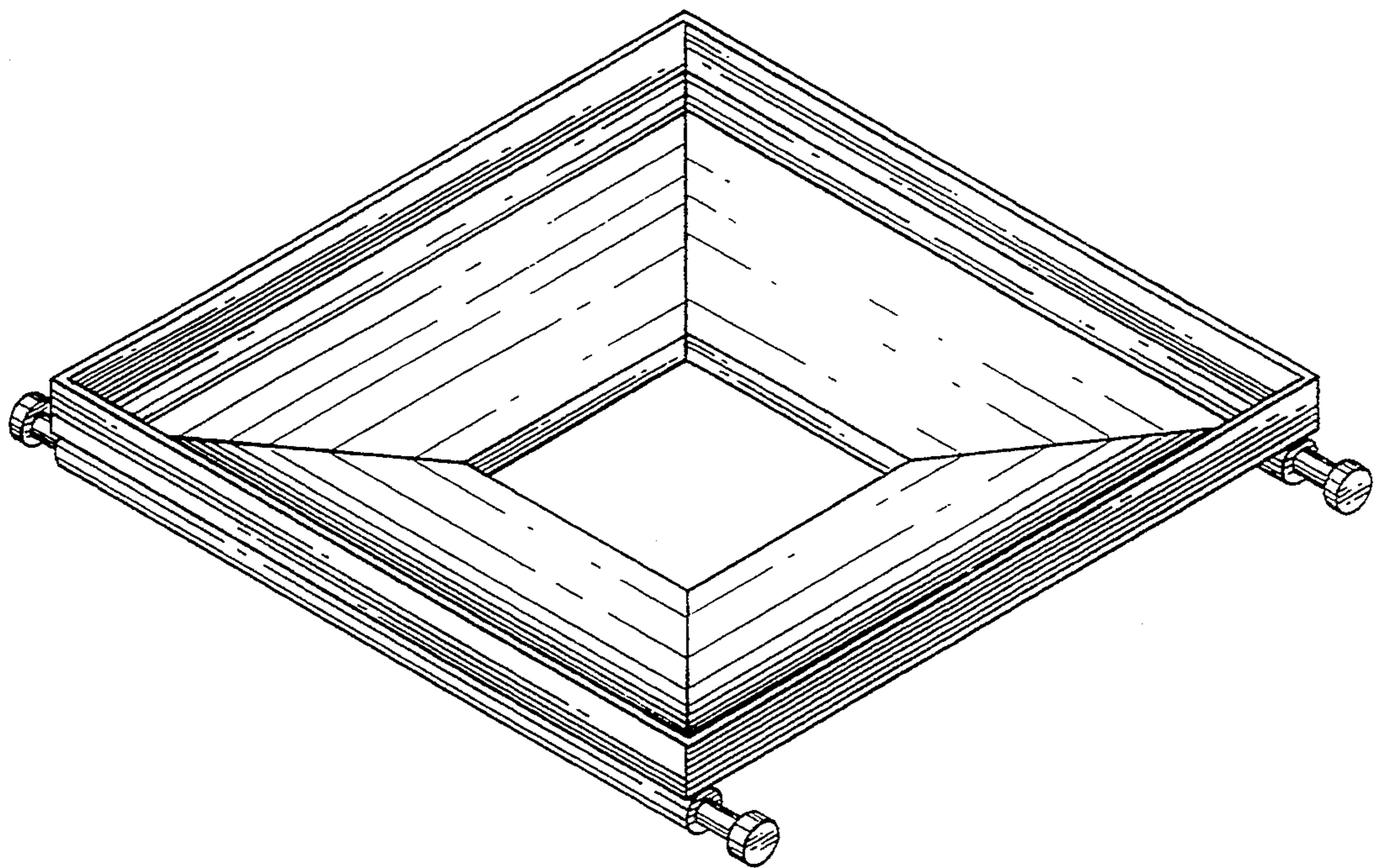


FIG.1

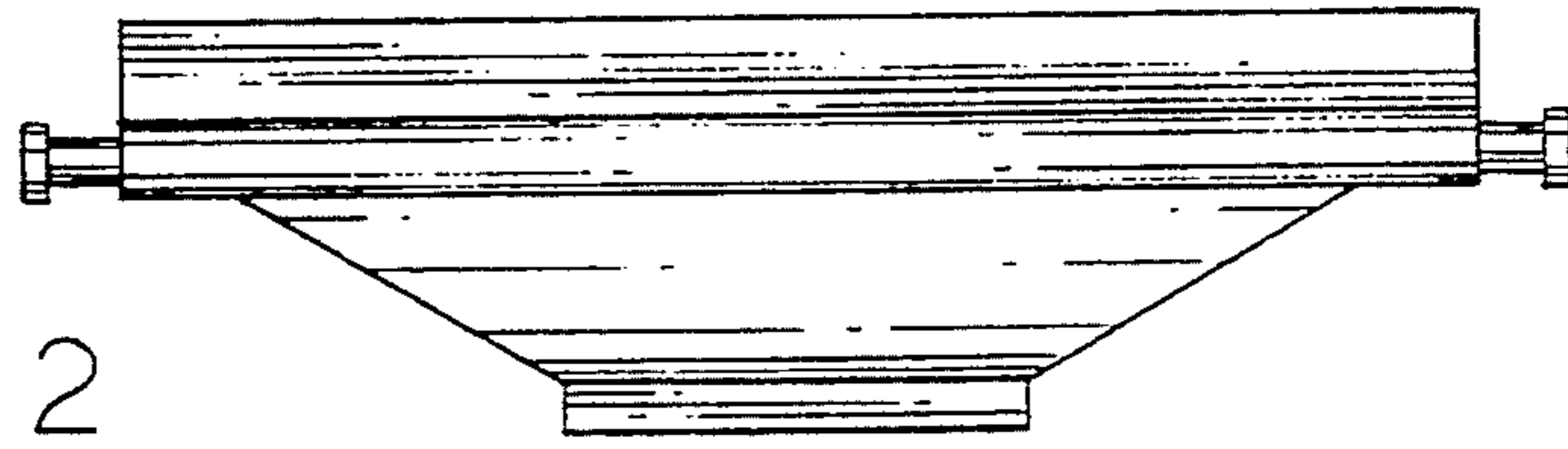


FIG. 2

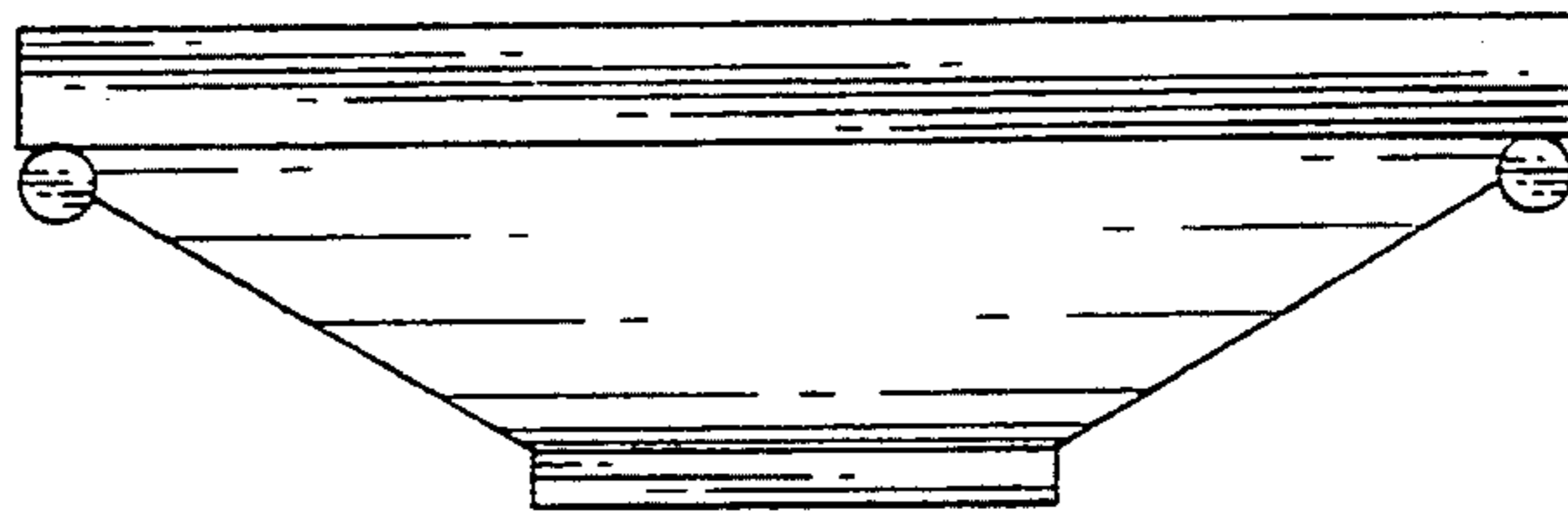


FIG. 3

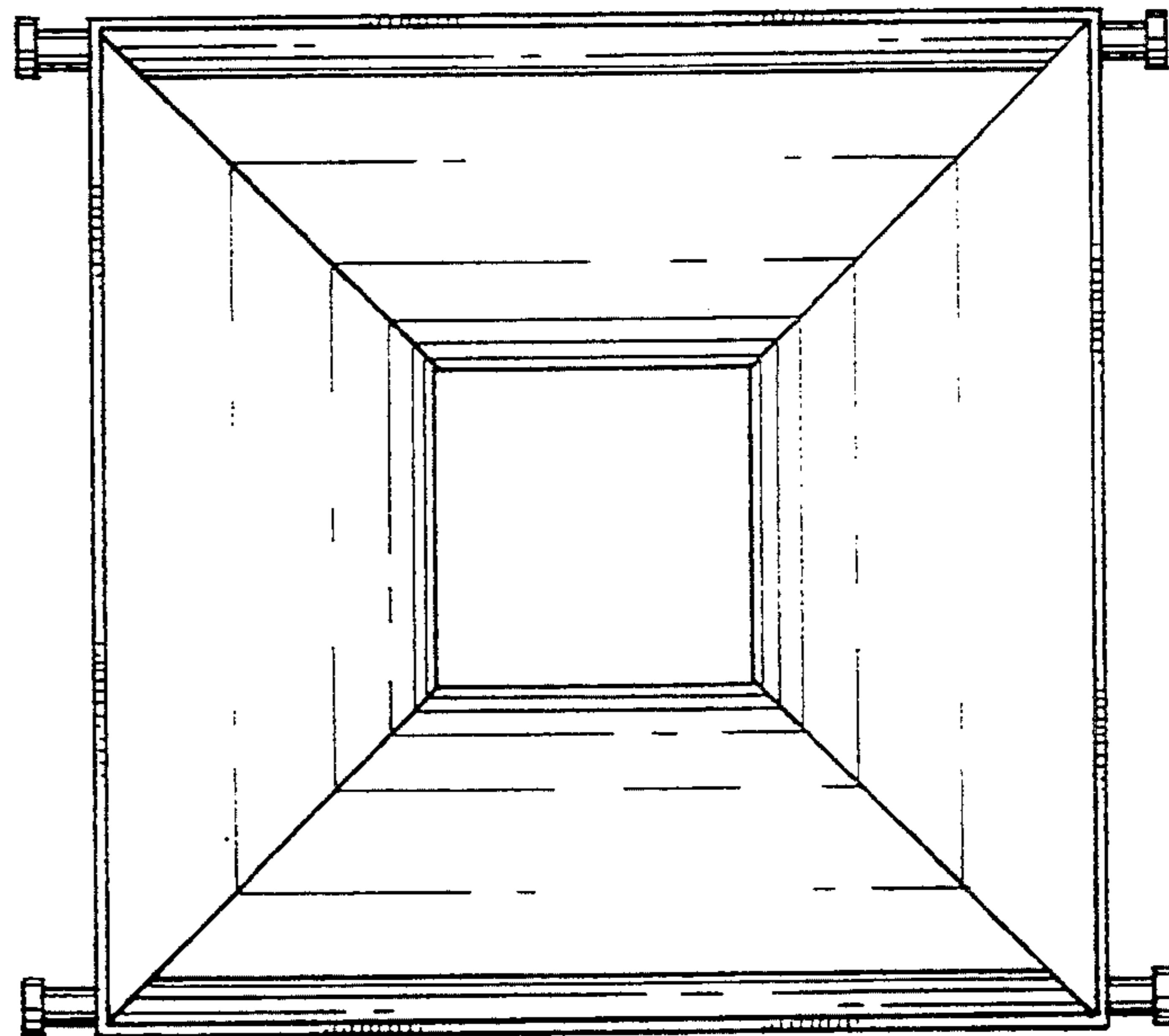


FIG. 4

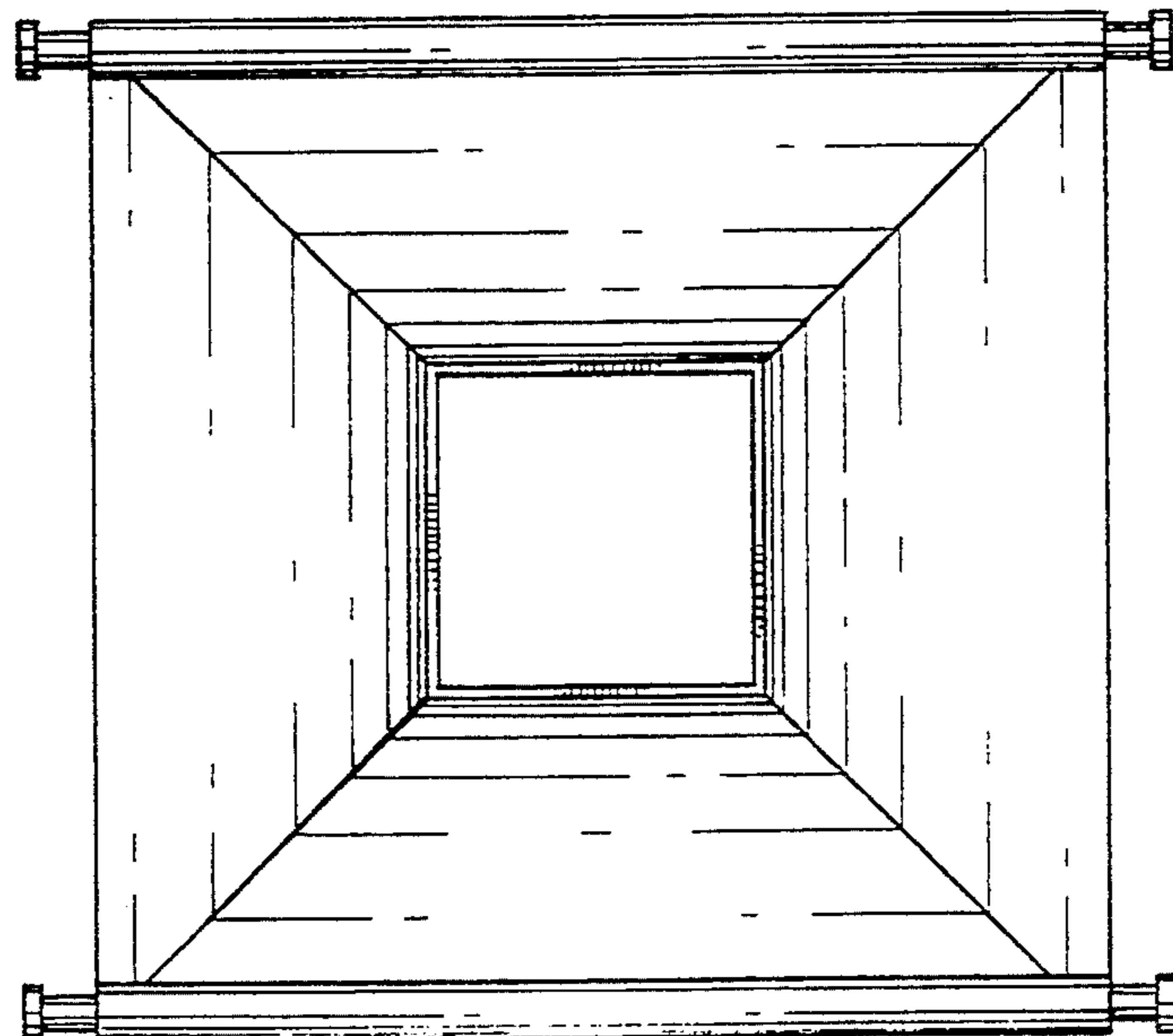


FIG. 5