



US00D359822S

United States Patent [19]

[11] Patent Number: **Des. 359,822**

McCance

[45] Date of Patent: **** Jun. 27, 1995**

[54] **COMBINED ANIMAL SCRATCHING PAD AND TOY**

5,269,261 12/1993 McCance 119/707

[76] Inventor: **Donald A. McCance**, 412 N. Redbud, Broken Arrow, Okla. 74012

FOREIGN PATENT DOCUMENTS

664618 5/1979 U.S.S.R. 119/704
WO87/04046 7/1987 WIPO 119/707

[*] Notice: The portion of the term of this patent subsequent to Mar. 29, 2008 has been disclaimed.

OTHER PUBLICATIONS

Cat Fancy Magazine; Jan. 1989; p. 68; Cat-A-Combs game for cats.
Animail Catalog; p. 44; Kitty Pang ball game-G3375.
Baytech brochure for Cat Scratch Frenzy.
Pedigrees the pet catalog; p. 9; Cat's Scratch & Play toy.
Animail Pet Care Products Catalog; p. 27; item J3160 Cat Track.
Old Village Shop Catalog; p. 46; Bizzy Kitty Scratching Pad.

[**] Term: **14 Years**

[21] Appl. No.: **26,645**

[22] Filed: **Aug. 2, 1994**

[52] U.S. Cl. **D30/160**

[58] Field of Search 119/28.5, 15, 29, 706-713; D30/158, 160, 118; 446/168, 170, 417

[56] References Cited

U.S. PATENT DOCUMENTS

D. 335,553	5/1993	Conner	D30/160
D. 335,554	5/1993	Conner	D30/160
D. 345,633	3/1994	McCance	D30/160
D. 348,124	6/1994	O'Rourke et al.	D30/160
1,976,234	10/1934	Larson	119/19
2,005,817	6/1935	Yoder	119/706
2,112,316	3/1938	Turner	446/219
2,292,540	8/1942	Norton	119/28.5
2,894,487	7/1959	Goldson	119/706
2,997,019	8/1961	Bryson	119/706
3,482,548	12/1969	Burns	119/706
3,486,485	12/1969	Kahanick	119/706
3,552,356	1/1971	Rosenthal	119/28.5
3,638,350	2/1972	Wiggen	446/168
3,993,027	11/1976	Mullin	119/706
4,036,178	7/1977	Lee et al.	119/51.02
4,577,590	3/1986	Skroch	119/706
4,720,283	1/1988	Williams et al.	446/69
4,722,299	2/1988	Mohr	119/707
4,969,417	12/1990	Sakano	119/15
5,009,193	4/1991	Gordon	119/711

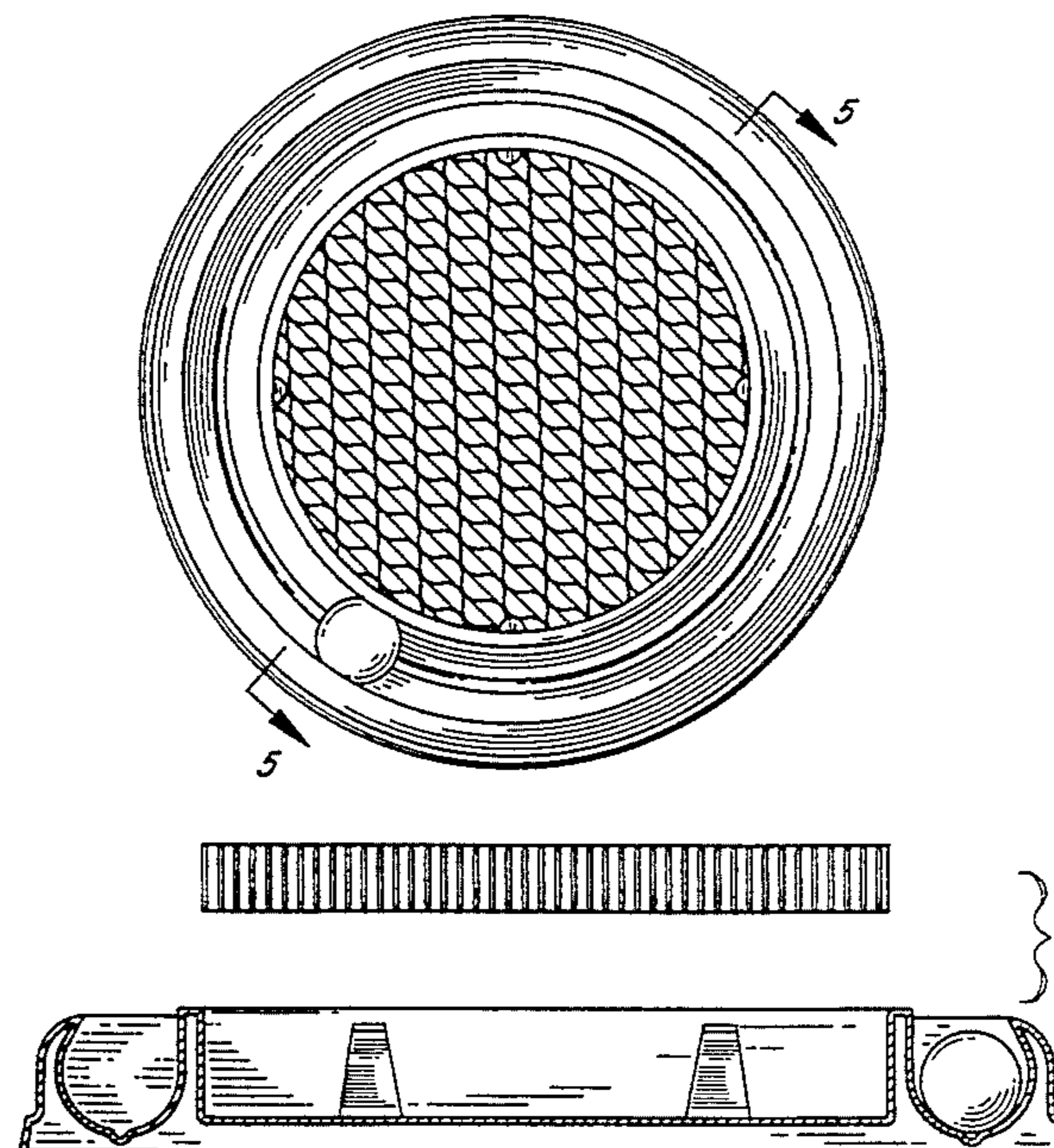
Primary Examiner—Cathy Anne MacCormac
Attorney, Agent, or Firm—Head & Johnson

[57] CLAIM

The design for an combined animal scratching pad and toy, as shown and described.

DESCRIPTION

FIG. 1 is a top plan view of an combined animal scratching pad and toy showing my new design with a scratching pad insert;
FIG. 2 is a right side elevational view thereof. The left side elevational view would be identical to the right side elevational view seen in FIG. 2;
FIG. 3 is a bottom view thereof;
FIG. 4 is a top elevational view of my new design with the scratch pad removed;
FIG. 5 is a cross-sectional view of the animal scratching pad and amusement device taken along line 5—5 of FIG. 1; and,
FIG. 6 is a cross-sectional view taken along section line 6—6 of FIG. 4.



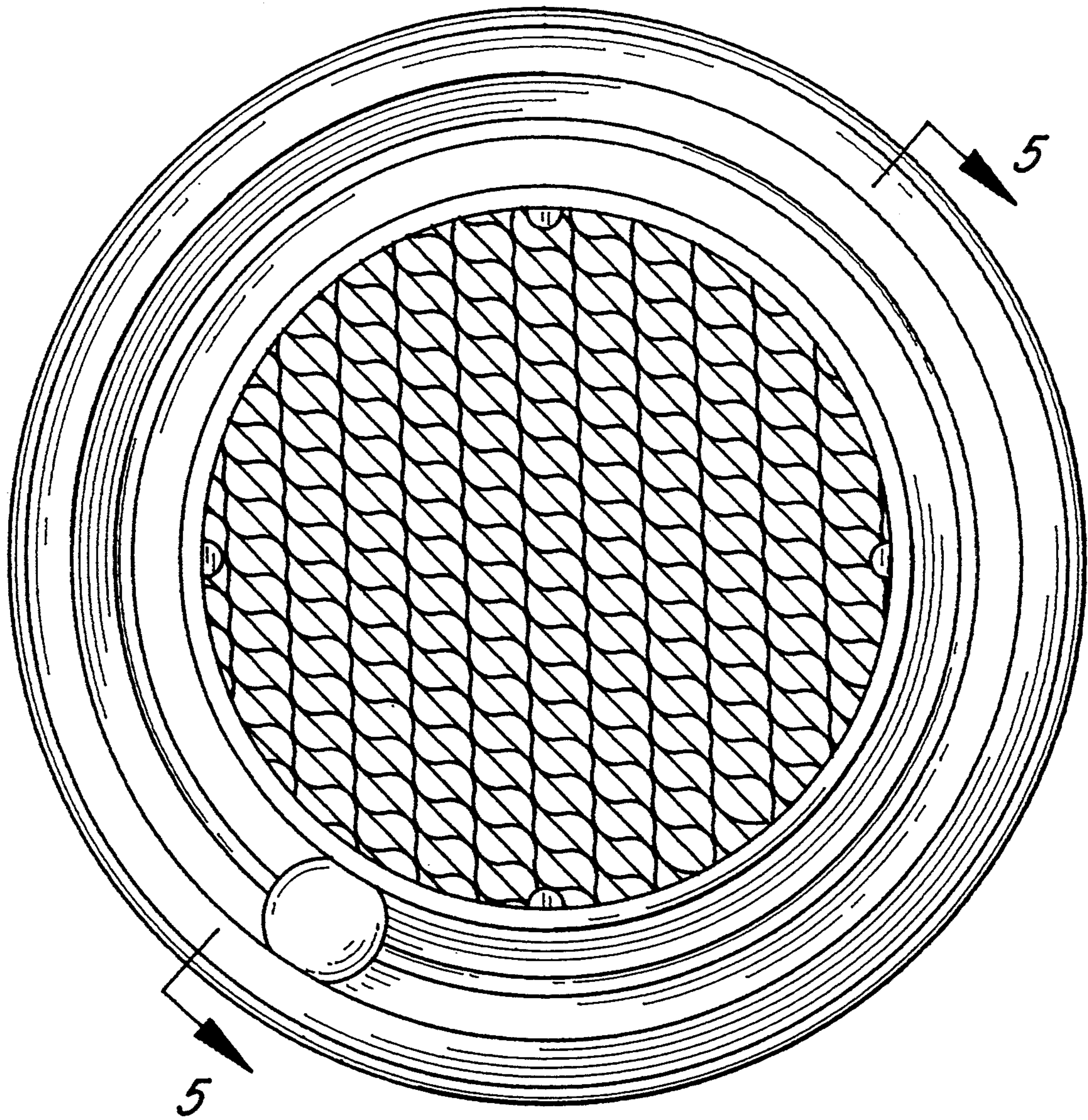


Fig. 1

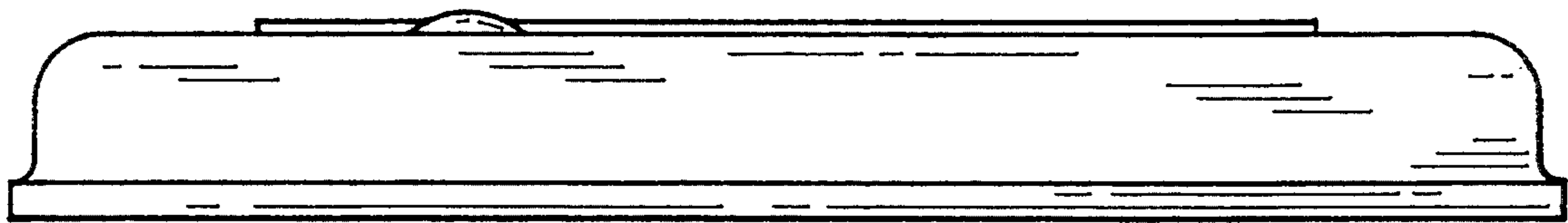


Fig. 2

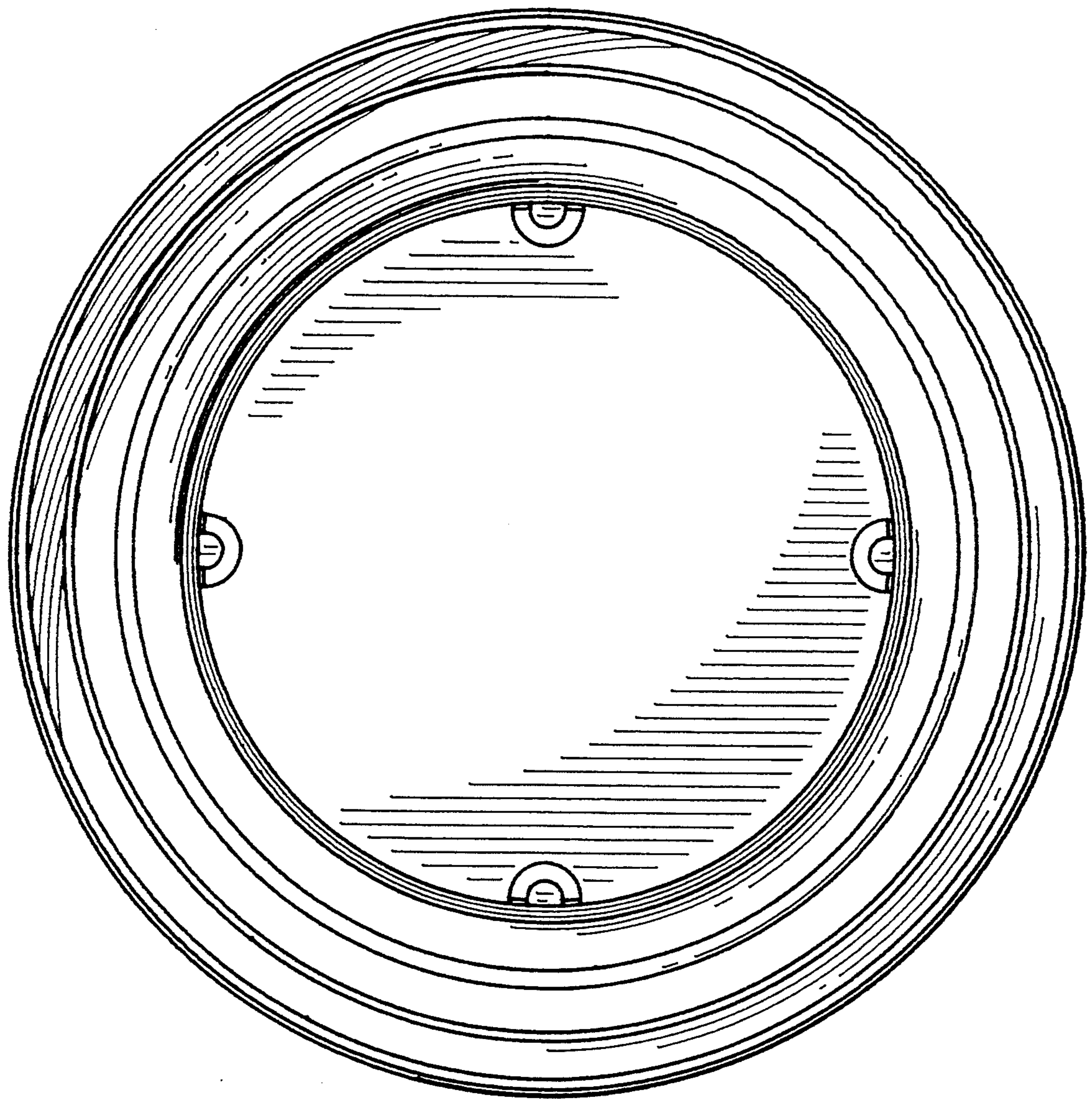


Fig. 3

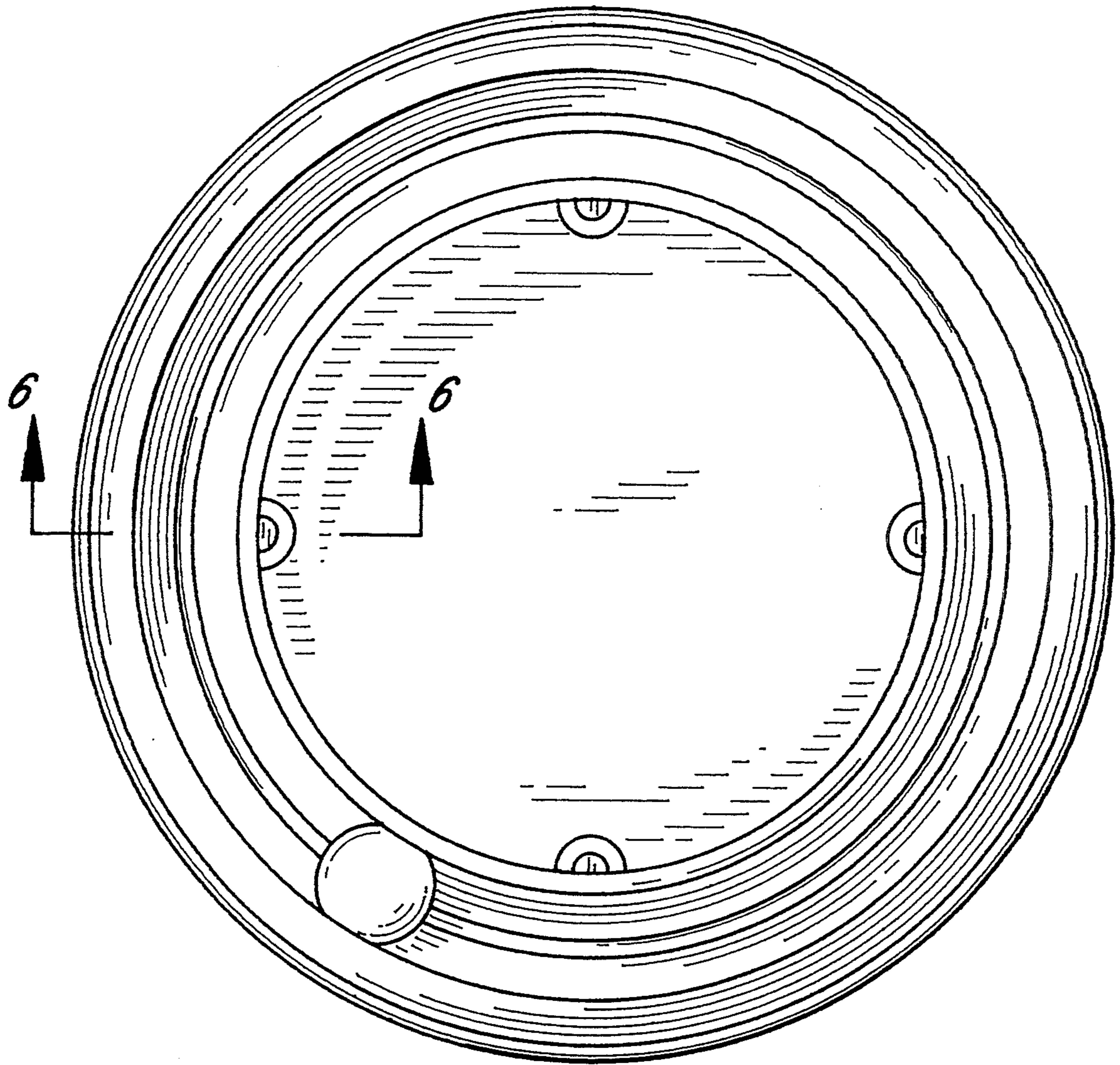


Fig. 4

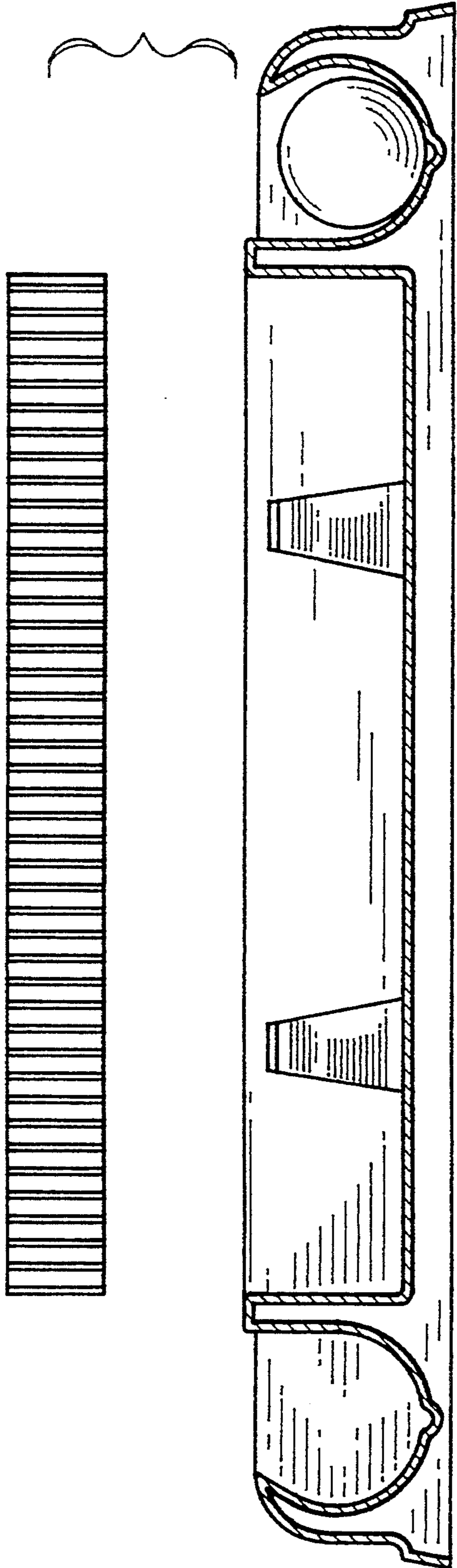


Fig. 5

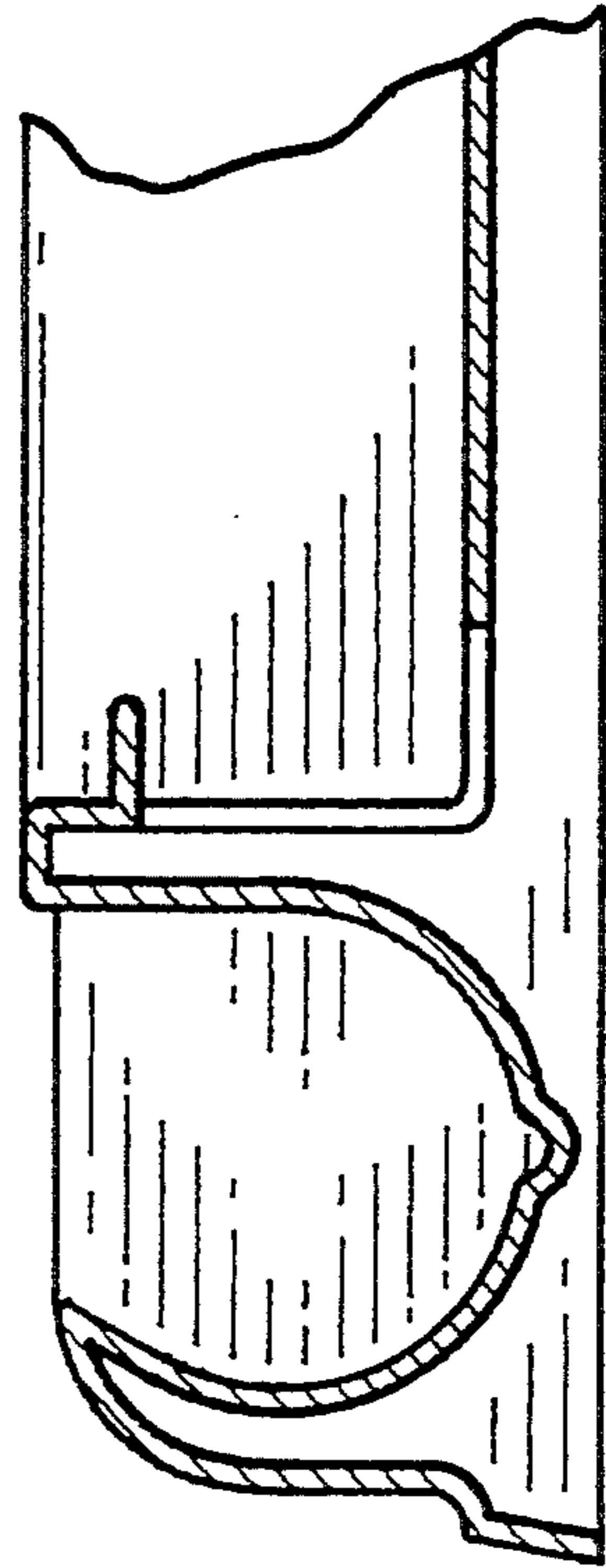


Fig. 6