



US00D359821S

United States Patent [19]

[11] Patent Number: **Des. 359,821**

Liethen

[45] Date of Patent: **** Jun. 27, 1995**

[54] **BIRD FEEDER**

[76] Inventor: **Frederic J. Liethen**, 5085 Wren Dr., Appleton, Wis. 54915-0296

[**] Term: **14 Years**

[21] Appl. No.: **21,418**

[22] Filed: **Apr. 18, 1994**

[52] U.S. Cl. **D30/127**

[58] Field of Search **D30/110-111;**
119/23, 57.8-57.9, 52.2-52.3, 51.04, 51.01, 77,
57.91

[56] **References Cited**

U.S. PATENT DOCUMENTS

| | | | |
|------------|--------|---------------------|----------|
| D. 231,369 | 4/1974 | Kilham | D30/127 |
| D. 325,654 | 4/1992 | Schuetz et al. | D30/128 |
| D. 349,982 | 8/1994 | Hardison | D30/128 |
| 3,568,641 | 3/1971 | Kilham | 119/51 |
| 4,201,155 | 5/1980 | Hyde, Jr. | 119/57.8 |
| 4,259,927 | 4/1981 | Clarke | 119/57.9 |
| 4,829,934 | 5/1989 | Blasbalg | 119/57.8 |
| 4,996,947 | 3/1991 | Petrides | 119/57.9 |
| 5,123,380 | 6/1992 | Edwards | 119/57.8 |
| 5,215,039 | 6/1993 | Bescherer | 119/57.8 |
| 5,235,935 | 8/1993 | Edwards | 119/57.8 |

OTHER PUBLICATIONS

Droll Yankee's Inc, brochure for The Thistle Seed Feeder; ©1975.

Sturbridge Yankee Workshop Catalog; p. 45; Gazebo Bird Feeder.

Primary Examiner—Cathy Anne MacCormac

Attorney, Agent, or Firm—Andrus, Scales, Starke & Sawall

[57] **CLAIM**

The ornamental design for a bird feeder, as shown and described.

DESCRIPTION

FIG. 1 is a front perspective view of a bird feeder showing my new design;

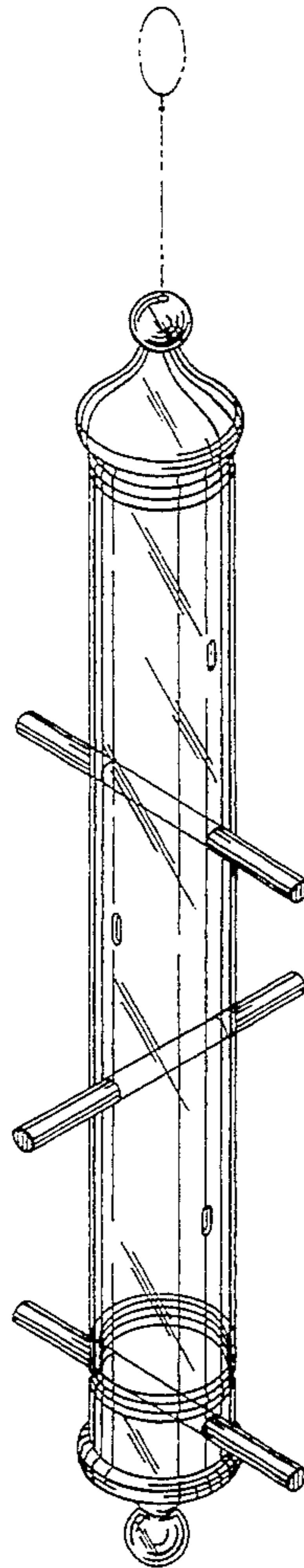
FIG. 2 is a left side elevational view thereof, the right side elevational view being identical;

FIG. 3 is a front elevational view thereof, the rear elevation view being identical;

FIG. 4 is a top plan view thereof; and,

FIG. 5 is a bottom plan view thereof.

The broken lines in FIG. 1 are for illustrative purposes only and form no part of the claimed design.



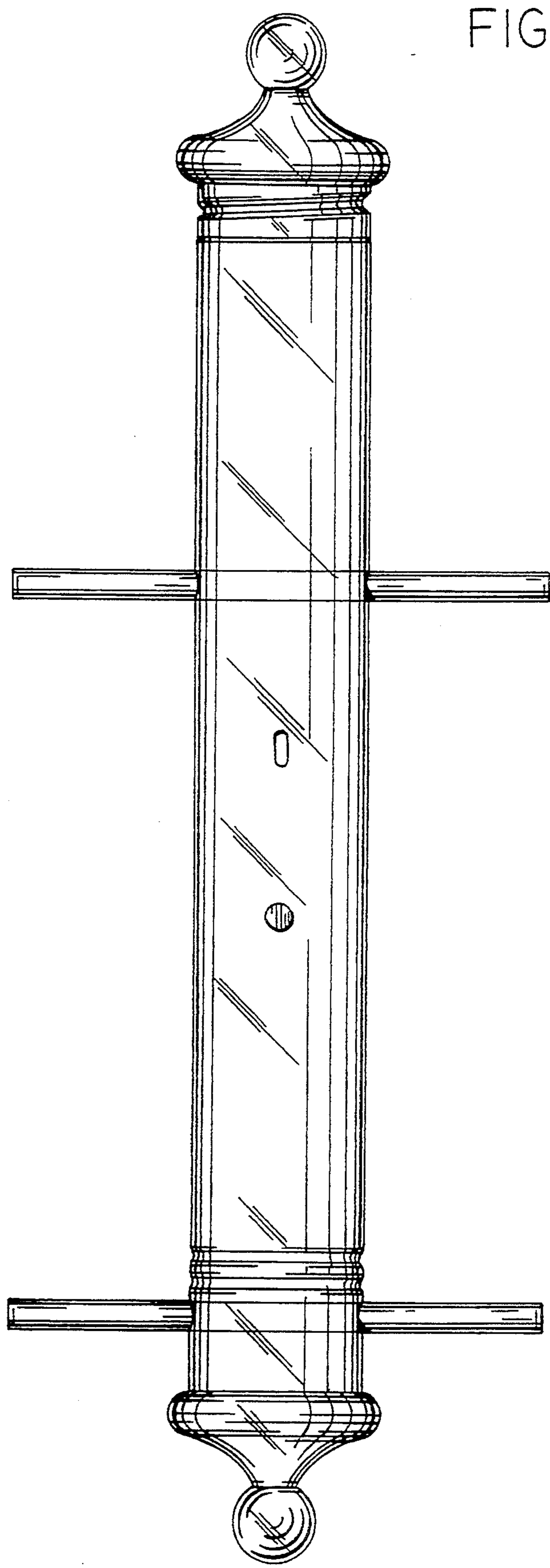
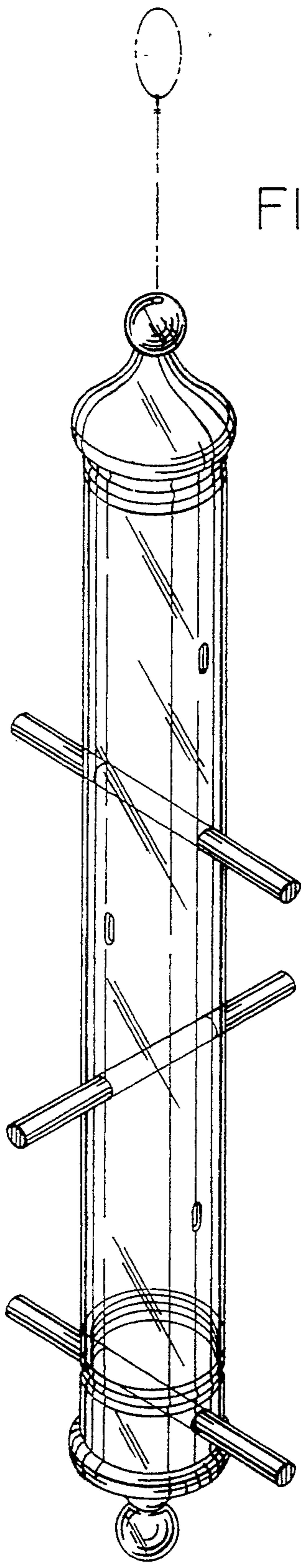


FIG. 3

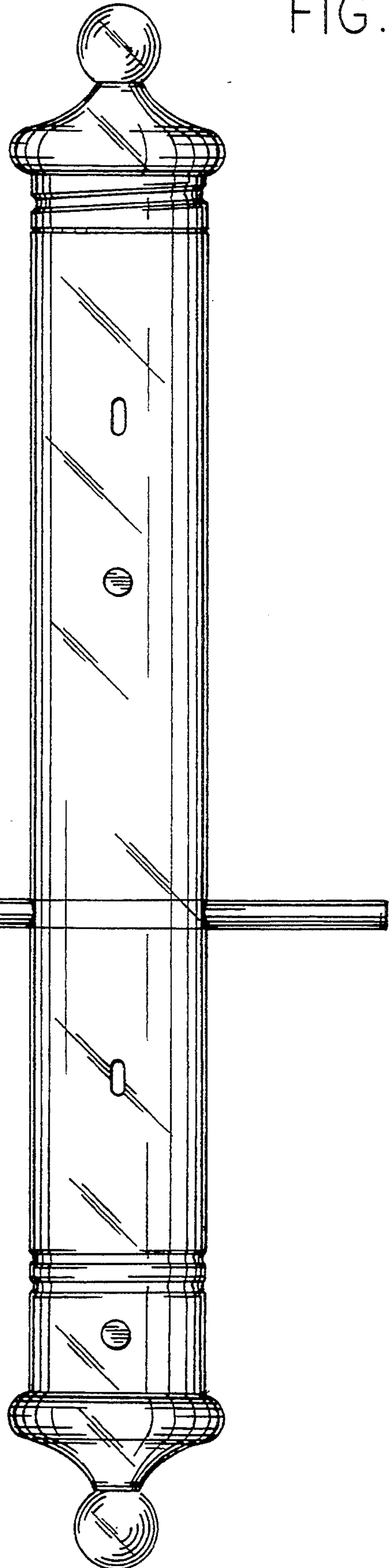


FIG. 4

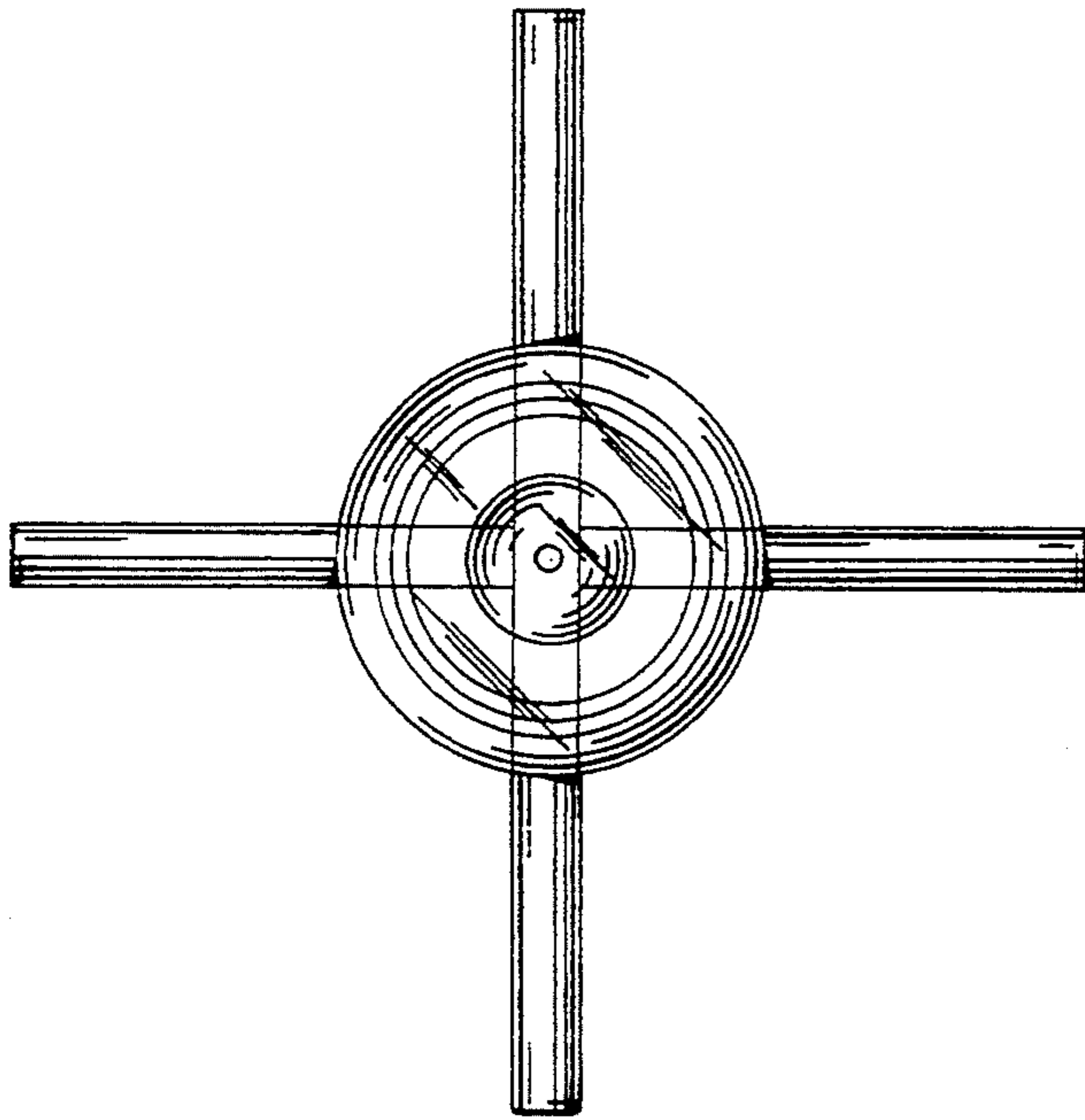


FIG. 5

