



US00D359820S

# United States Patent [19]

[11] Patent Number: **Des. 359,820**

Thumb et al.

[45] Date of Patent: **\*\* Jun. 27, 1995**

[54] **PORTABLE SHIELD**

[75] Inventors: **Elvis Thumb, Sheyenne; Ronald J. Rousey, Jamestown, both of N. Dak.**

[73] Assignee: **Sioux Manufacturing Corporation, Fort Totten, N. Dak.**

[\*\*] Term: **14 Years**

[21] Appl. No.: **15,047**

[22] Filed: **Nov. 4, 1993**

[52] U.S. Cl. .... **D29/100; 2/2.5**

[58] Field of Search ..... **D29/99, 100, 101, 17-19, D29/10-11; 2/2, 2.5, 16; D21/240**

[56] **References Cited**

**U.S. PATENT DOCUMENTS**

D. 132,468	5/1942	Lever .....	2/2.5
132,600	9/1872	Suderlock .....	2/2.5
245,307	8/1881	Millet et al. ....	2/2.5
418,396	12/1889	Buck .....	2/2.5
1,282,752	10/1918	Carrino .....	2/2.5
1,466,669	9/1923	Martinson .....	2/2.5
1,649,996	11/1927	Toth .....	2/2.5
2,424,985	8/1947	Howard .....	D29/100
3,132,344	5/1964	Langdon .....	D29/100
3,873,998	4/1975	Norris et al. ....	D29/100
4,674,394	6/1987	Martino .....	2/2.5
4,774,724	10/1988	Sacks .....	D29/100
4,843,947	7/1989	Bauer et al. ....	2/2.5

**FOREIGN PATENT DOCUMENTS**

454748	2/1913	France .....	2/2.5
483199	7/1916	France .....	2/2.5

**OTHER PUBLICATIONS**

Pro-Tech Armored Products catalog undated.  
Point Blank Body Armor catalog, Jan. 1992.  
U.S. Armor Corporation catalog undated.

*Primary Examiner*—Ralf T. Seifert  
*Attorney, Agent, or Firm*—Merchant, Gould, Smith, Edell, Welter & Schmidt

[57] **CLAIM**

The ornamental design for a portable shield, as shown and described.

**DESCRIPTION**

FIG. 1 is a perspective view of a portable shield showing our new design;  
FIG. 2 is a front elevational view of the arrangement shown in FIG. 1;  
FIG. 3 is a rear elevational view of the arrangement shown in FIG. 1;  
FIG. 4 is a side elevational view of the arrangement shown in FIG. 1; an opposite side view generally being a mirror image;  
FIG. 5 is a top plan view of the arrangement shown in FIG. 1; and,  
FIG. 6 is a bottom plan view of the arrangement shown in FIG. 1.

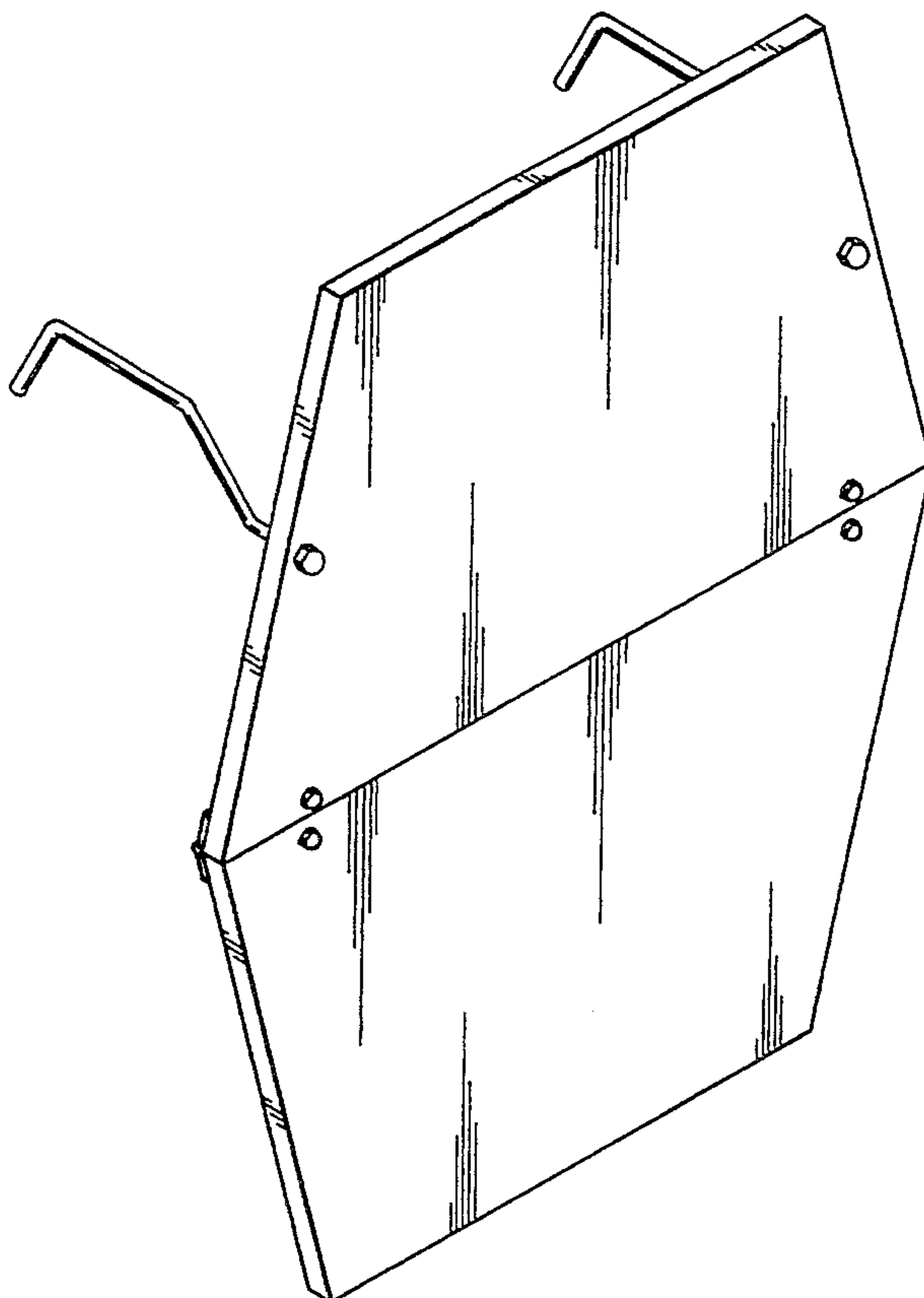


FIG. 1

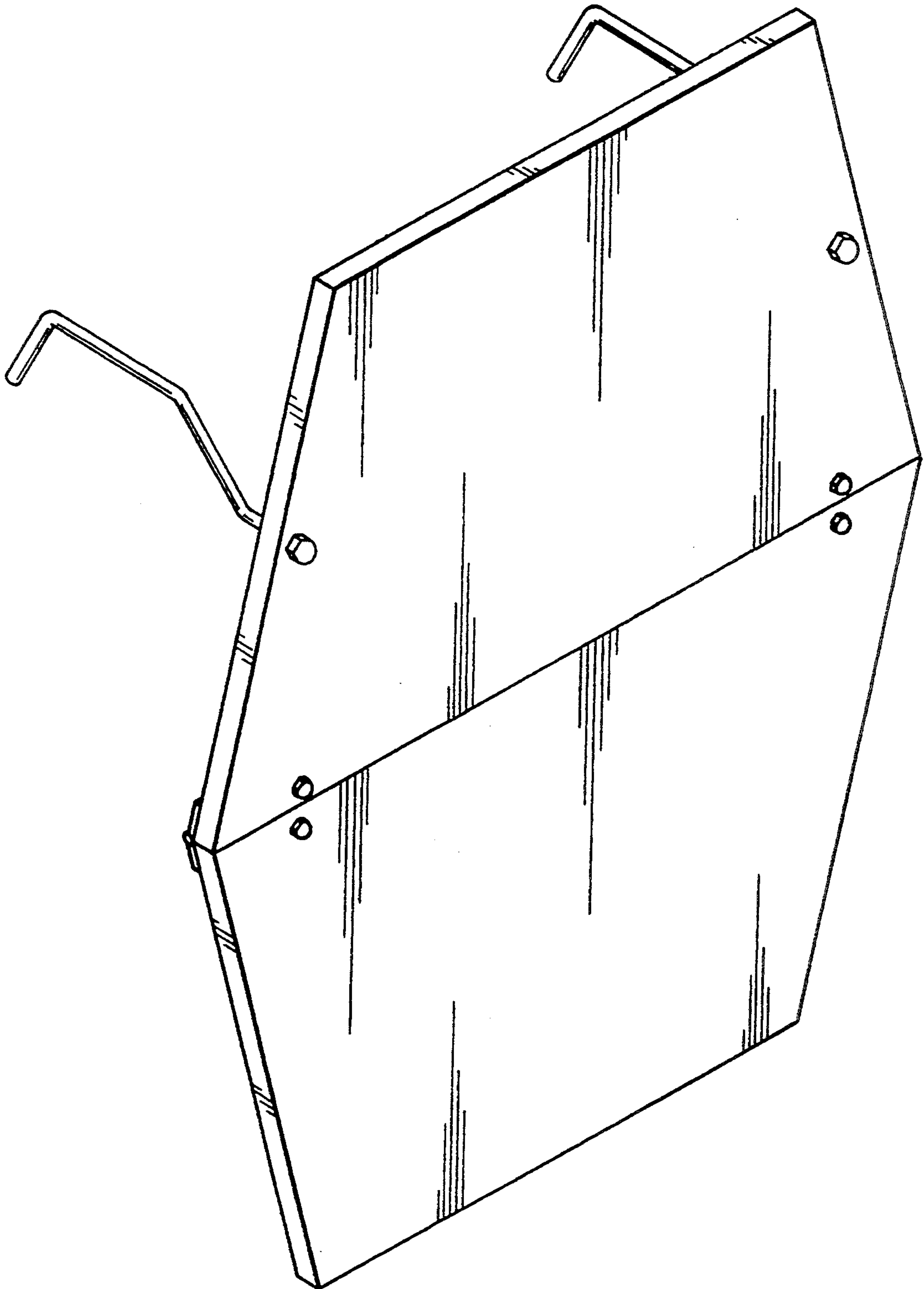


FIG. 2

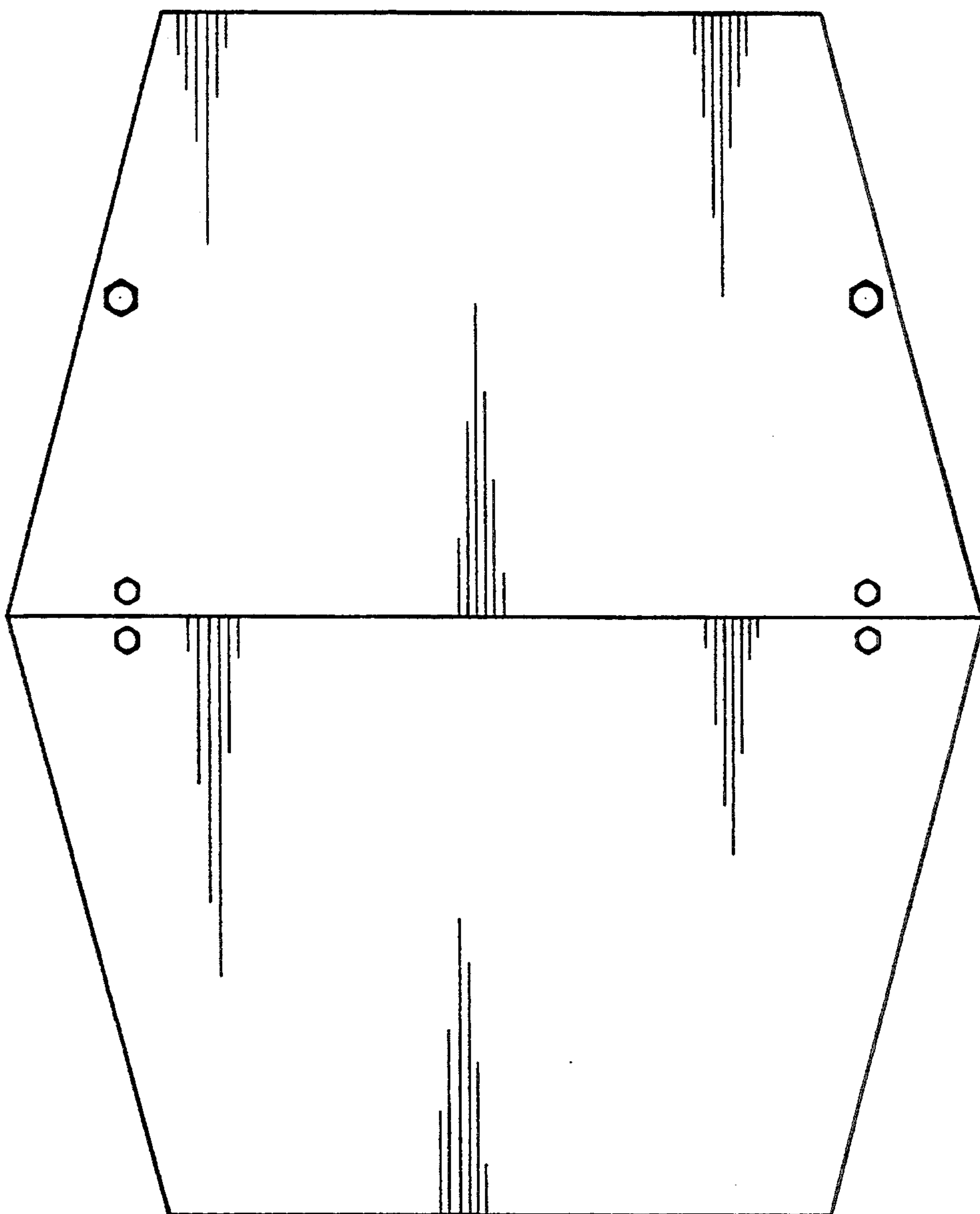


FIG. 3

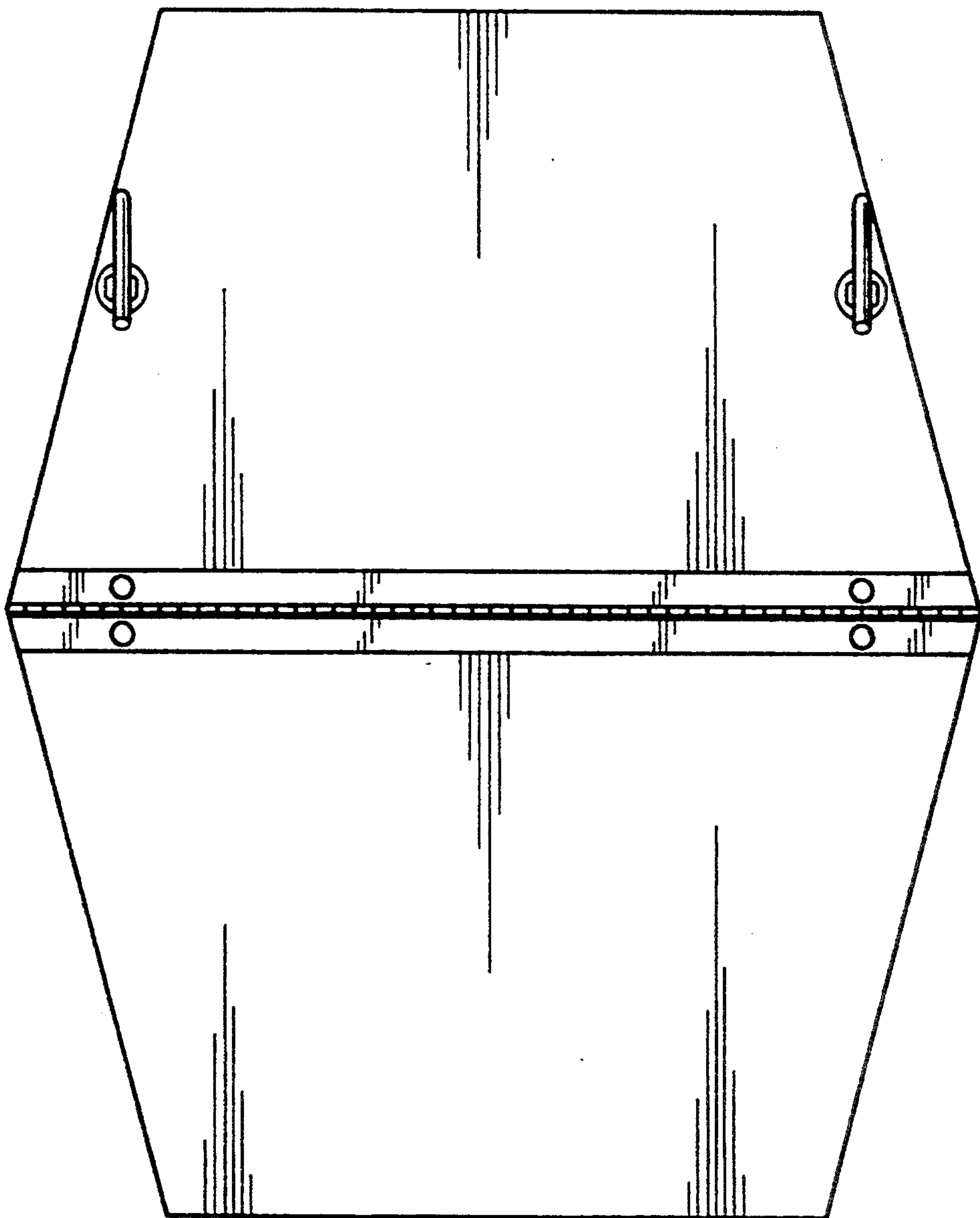


FIG. 4

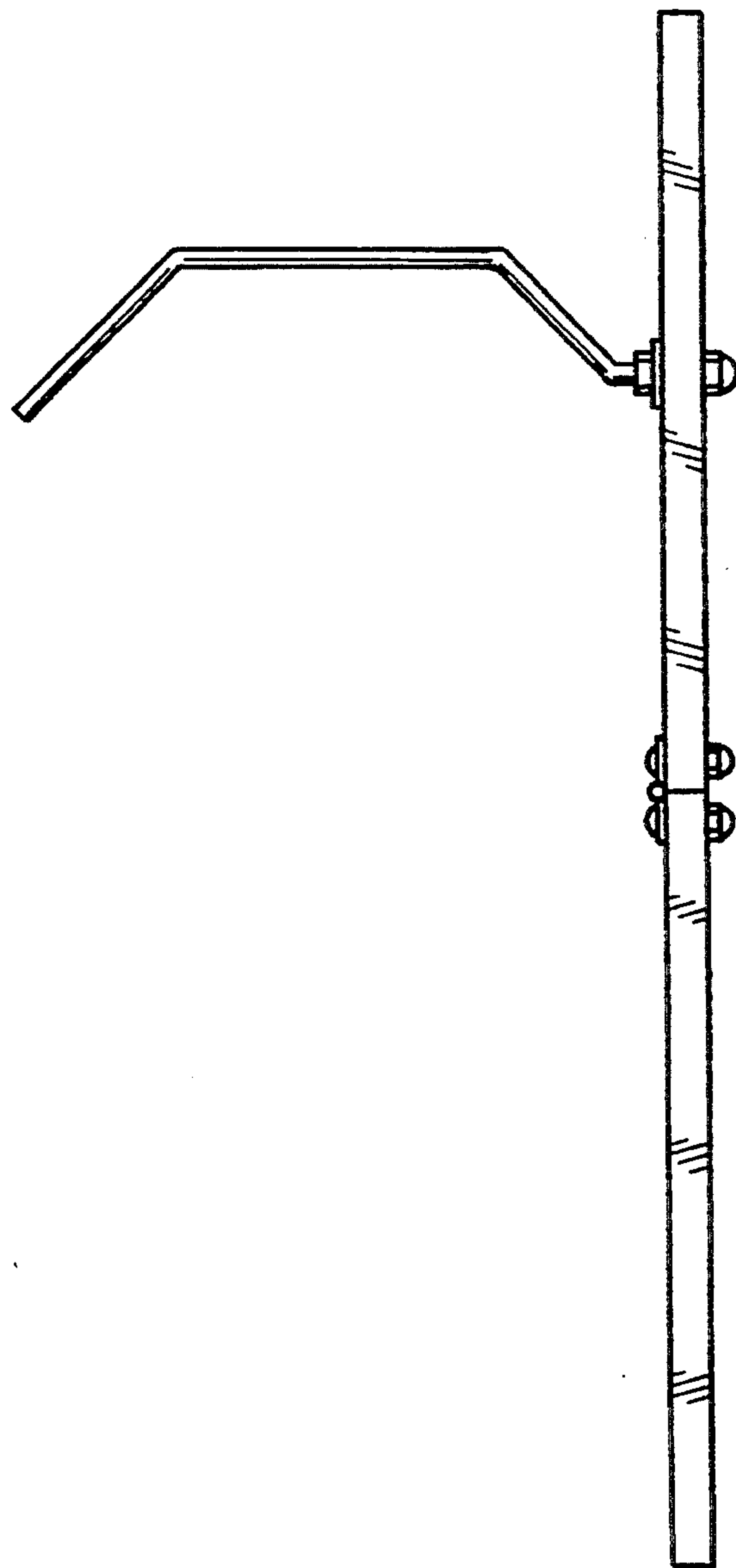


FIG. 5

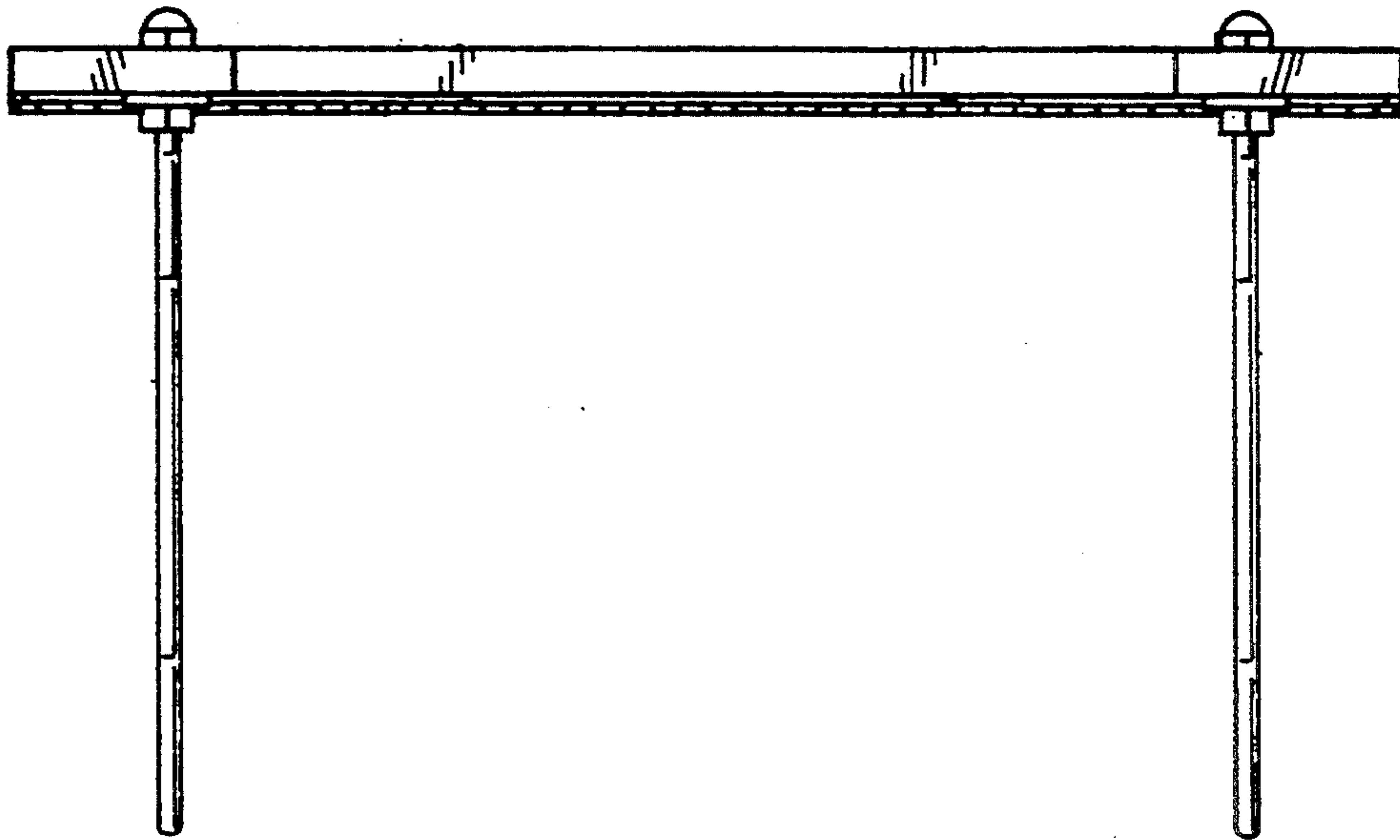


FIG. 6

