



US00D359815S

# United States Patent [19]

[11] Patent Number: **Des. 359,815**

Porter

[45] Date of Patent: **\*\* Jun. 27, 1995**

[54] WALL LANTERN

### OTHER PUBLICATIONS

[75] Inventor: **David H. Porter**, Chagrin Falls, Ohio

Kichler Lighting Catalog, ©1989, p. 111, Wall Lantern #K-9613 AB.

[73] Assignee: **The L. D. Kichler Co.**, Cleveland, Ohio

P. 98 from Seagull product brochure, 1993.

Pp. 34 & 35 from Georgian Art product brochure, 1993.

Page from Thomas Industries product brochure, 1993.

P. 135 from Progress product brochure, 1993.

[\*\*] Term: **14 Years**

*Primary Examiner*—Susan J. Lucas

*Attorney, Agent, or Firm*—Watts, Hoffmann, Fisher & Heinke

[21] Appl. No.: **22,988**

### [57] CLAIM

The ornamental design for a wall lantern, as shown and described.

[22] Filed: **May 16, 1994**

[52] U.S. Cl. .... **D26/85**

[58] Field of Search ..... **D26/72, 80-92;**  
**362/147, 432, 404-408**

### DESCRIPTION

FIG. 1 is a perspective view of the wall lantern showing my new design;

FIG. 2 is a front elevational view of the fixture;

FIG. 3 is a right side elevational view of the fixture, the left side elevational view being a mirror image;

FIG. 4 is a rear elevational view of the fixture;

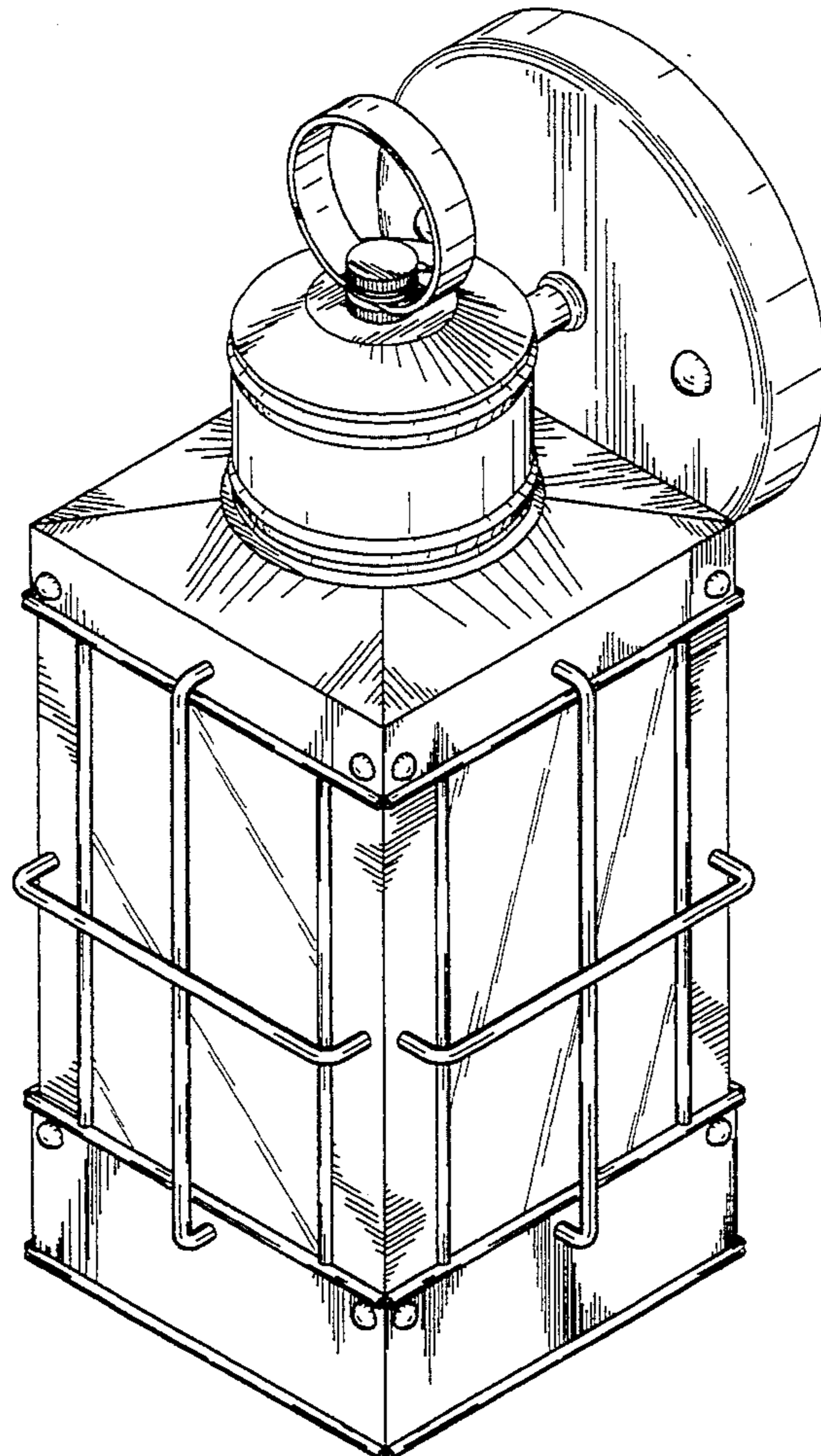
FIG. 5 is a top plan view of the fixture; and,

FIG. 6 is a bottom plan view of the fixture.

### [56] References Cited

#### U.S. PATENT DOCUMENTS

- D. 64,116 3/1924 Gruber ..... D26/85
- D. 69,708 3/1926 Klein ..... D26/85



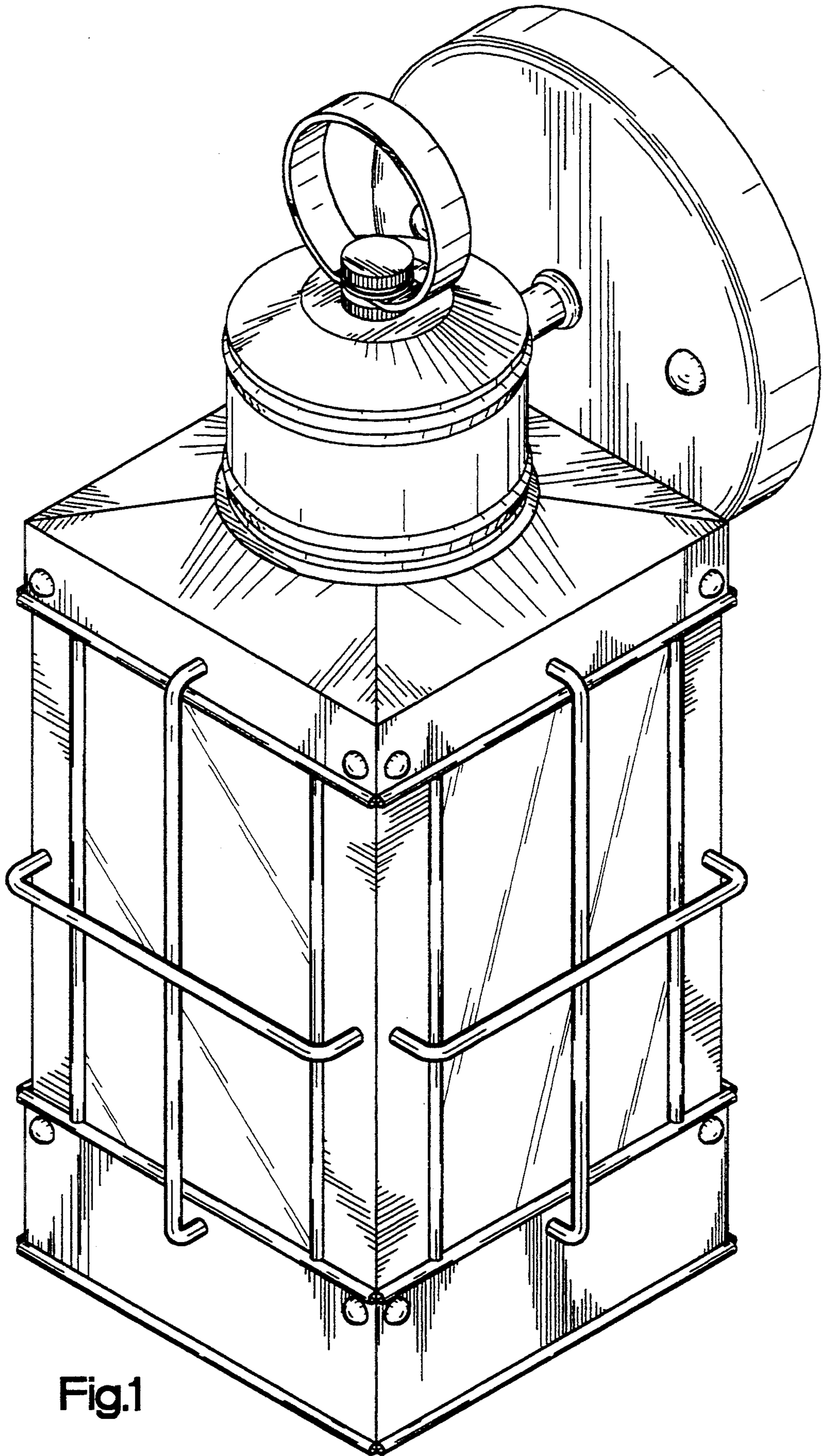


Fig.1

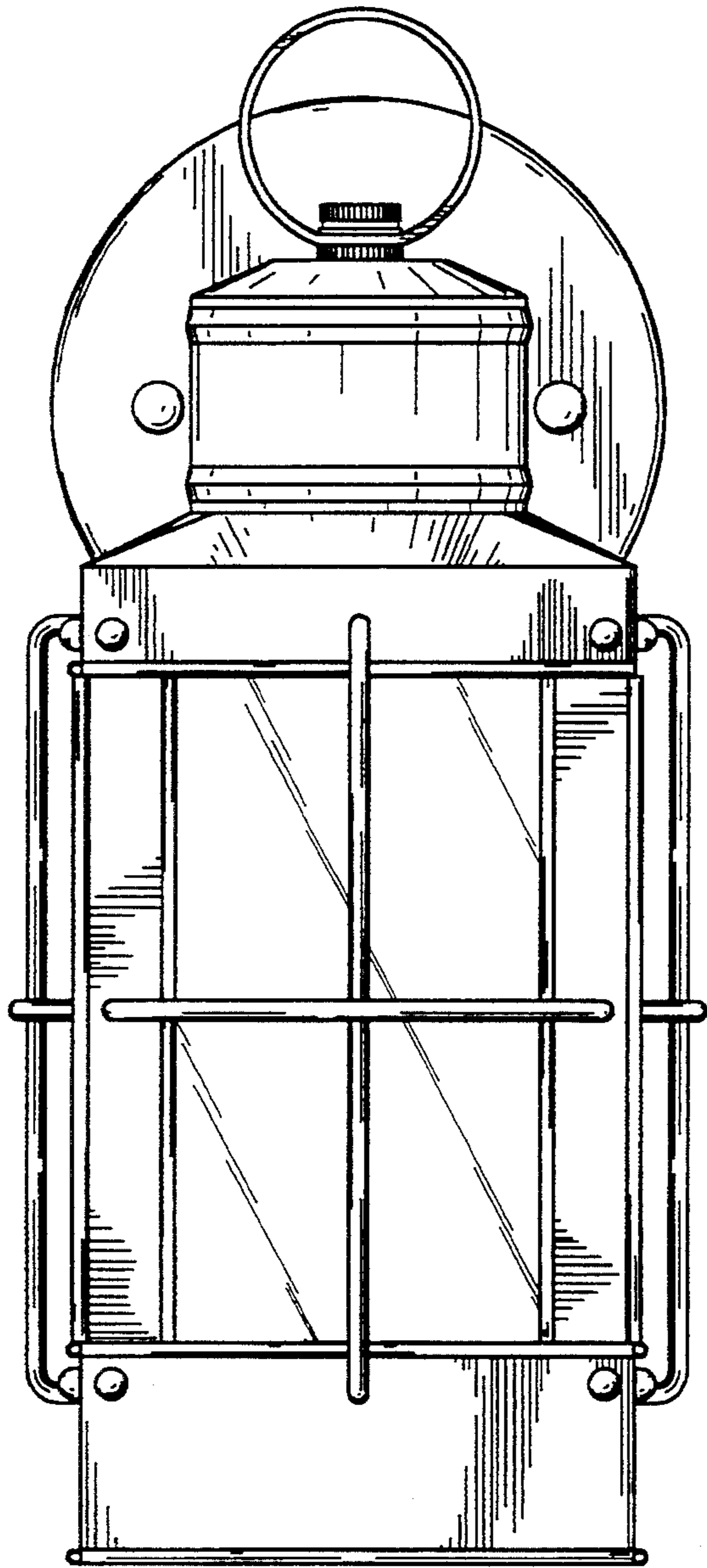


Fig.2

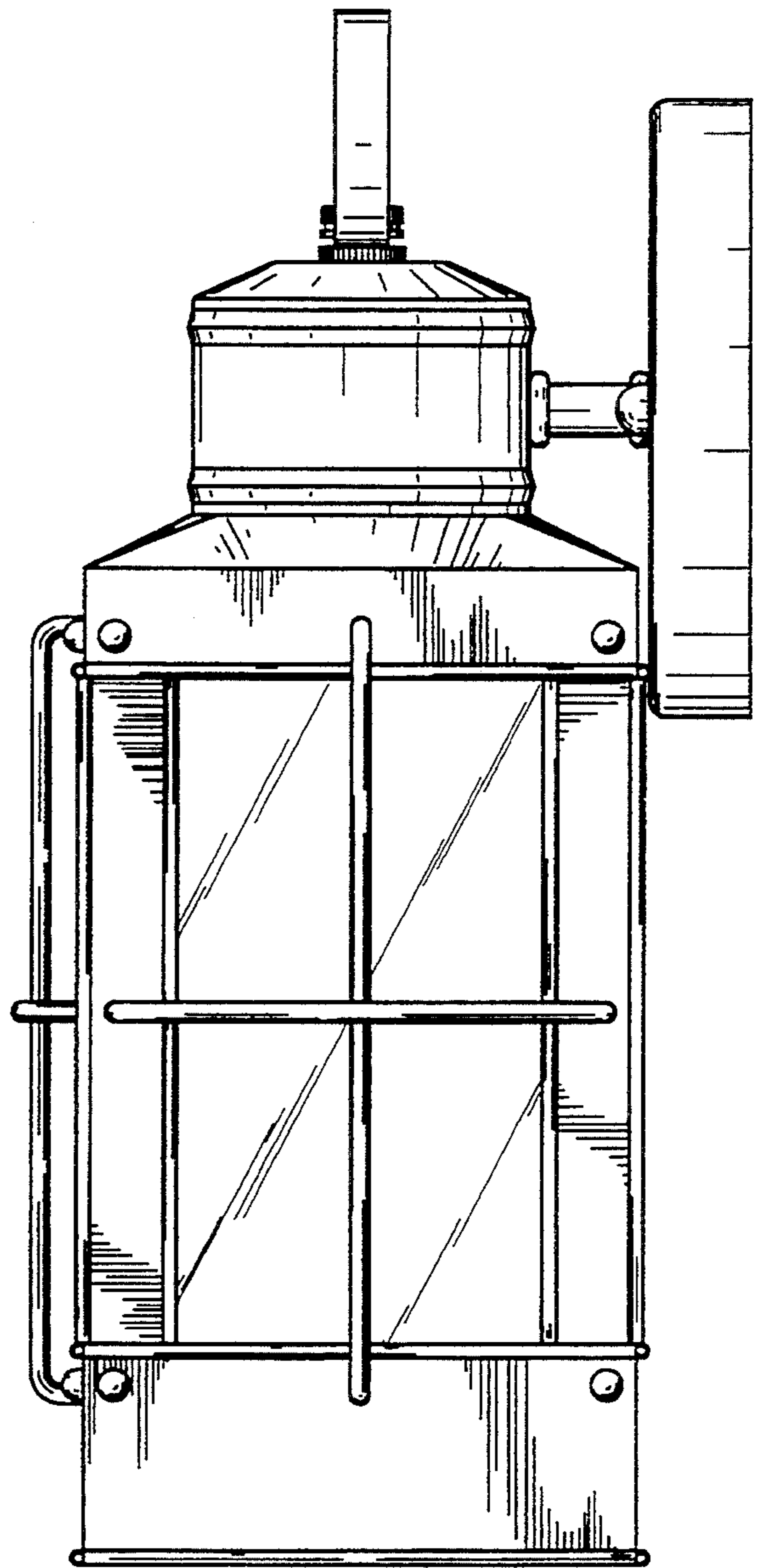


Fig.3

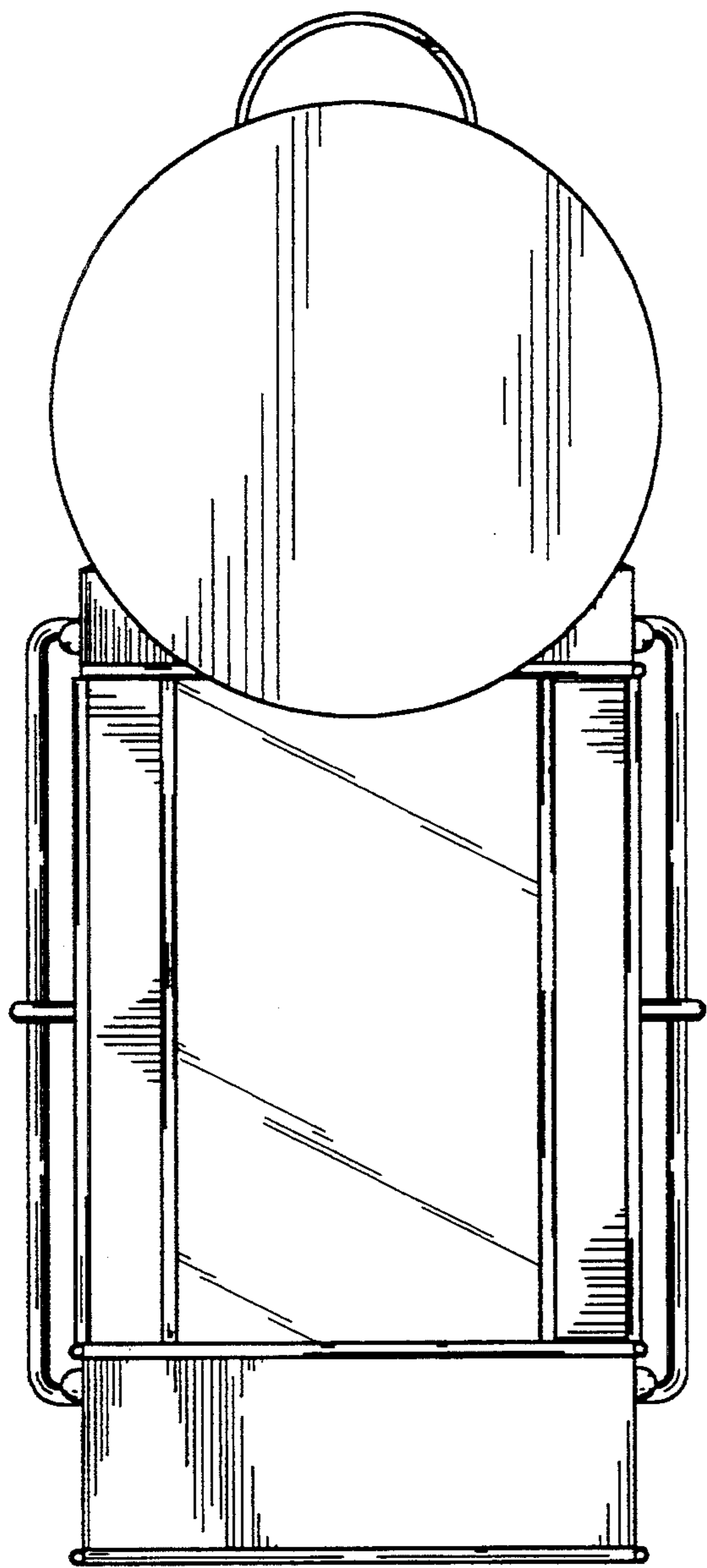


Fig.4

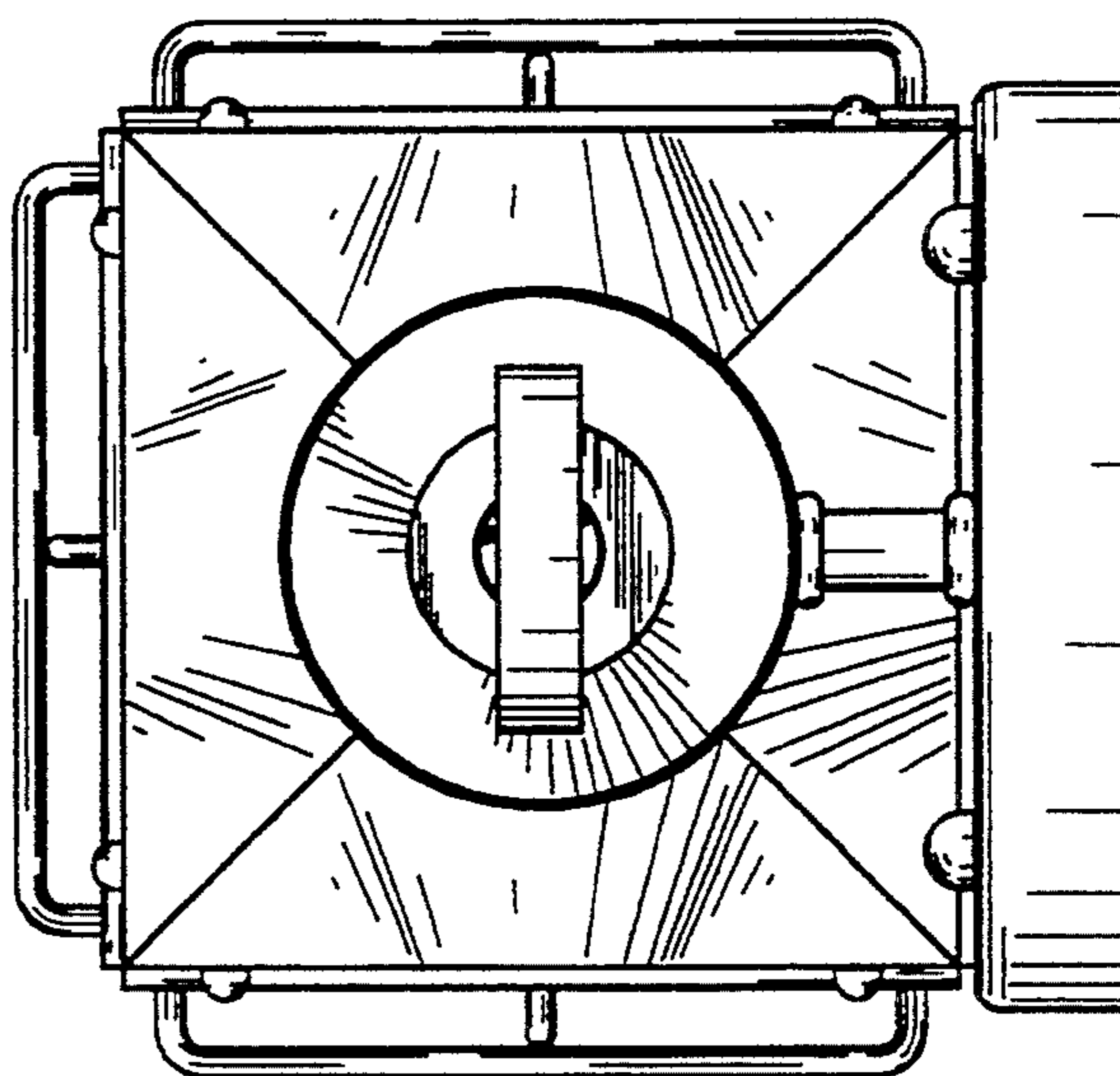


Fig.5

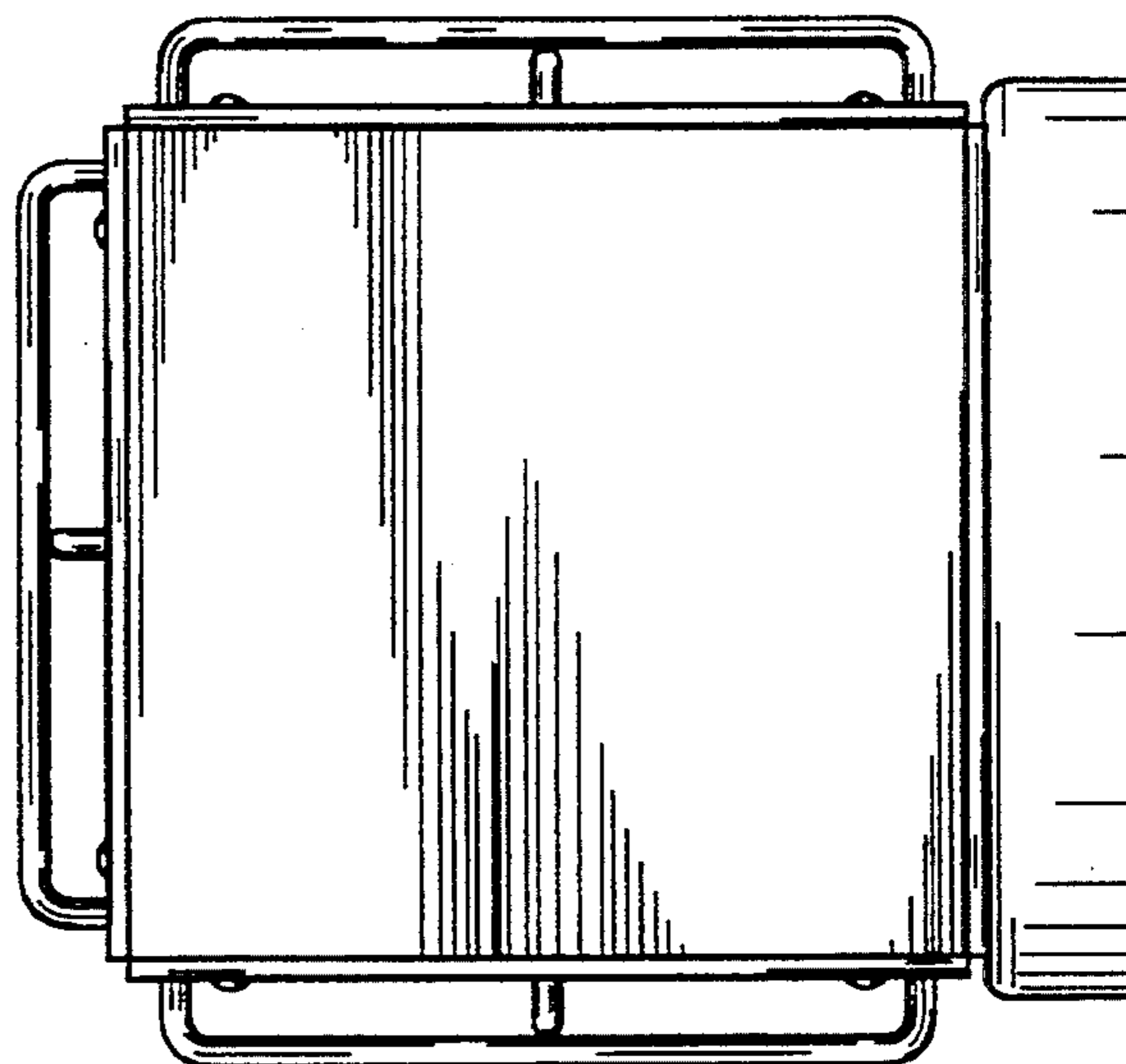


Fig.6