



US00D359814S

# United States Patent [19]

Yuen

[11] Patent Number: **Des. 359,814**

[45] Date of Patent: **\*\* Jun. 27, 1995**

[54] LANTERN

D. 349,355 8/1994 Yau ..... D26/37

[75] Inventor: **Se K. Yuen, Kowloon, Hong Kong**

### OTHER PUBLICATIONS

[73] Assignee: **John Manufacturing Limited, Kowloon, Hong Kong**

Hongkong Enterprise-Jan. 1984 p. 124-standing flashlight.

[\*\*] Term: **14 Years**

Hongkong Enterprise-Jun. 1991-p. 269-H6010 Search Lantern.

[21] Appl. No.: **12,800**

*Primary Examiner*—Susan J. Lucas

[22] Filed: **Sep. 10, 1993**

*Assistant Examiner*—Cynthia Ramirez

*Attorney, Agent, or Firm*—Darby & Darby

### [30] Foreign Application Priority Data

May 25, 1993 [GB] United Kingdom ..... 2031296

[52] U.S. Cl. .... **D26/48**

[58] Field of Search ..... D26/37, 72, 48, 46, D26/49; 362/157, 158, 201, 202, 205, 208, 206, 197

### [57] CLAIM

The ornamental design for a lantern, as shown and described.

### [56] References Cited

#### U.S. PATENT DOCUMENTS

- D. 256,278 8/1980 Wong et al. .... D26/46
- D. 272,654 2/1984 Ho ..... D26/48
- D. 284,309 6/1986 Schosser et al. .... D26/48
- D. 338,975 8/1993 Yuen ..... D26/48

### DESCRIPTION

FIG. 1 is a perspective view from the front right of a lantern, showing my new design;  
 FIG. 2 is a front elevational view thereof, the rear elevational view being a mirror image;  
 FIG. 3 is a top plan view thereof;  
 FIG. 4 is a bottom plan view thereof;  
 FIG. 5 is a left side elevational view thereof; and,  
 FIG. 6 is a right side elevational view thereof.

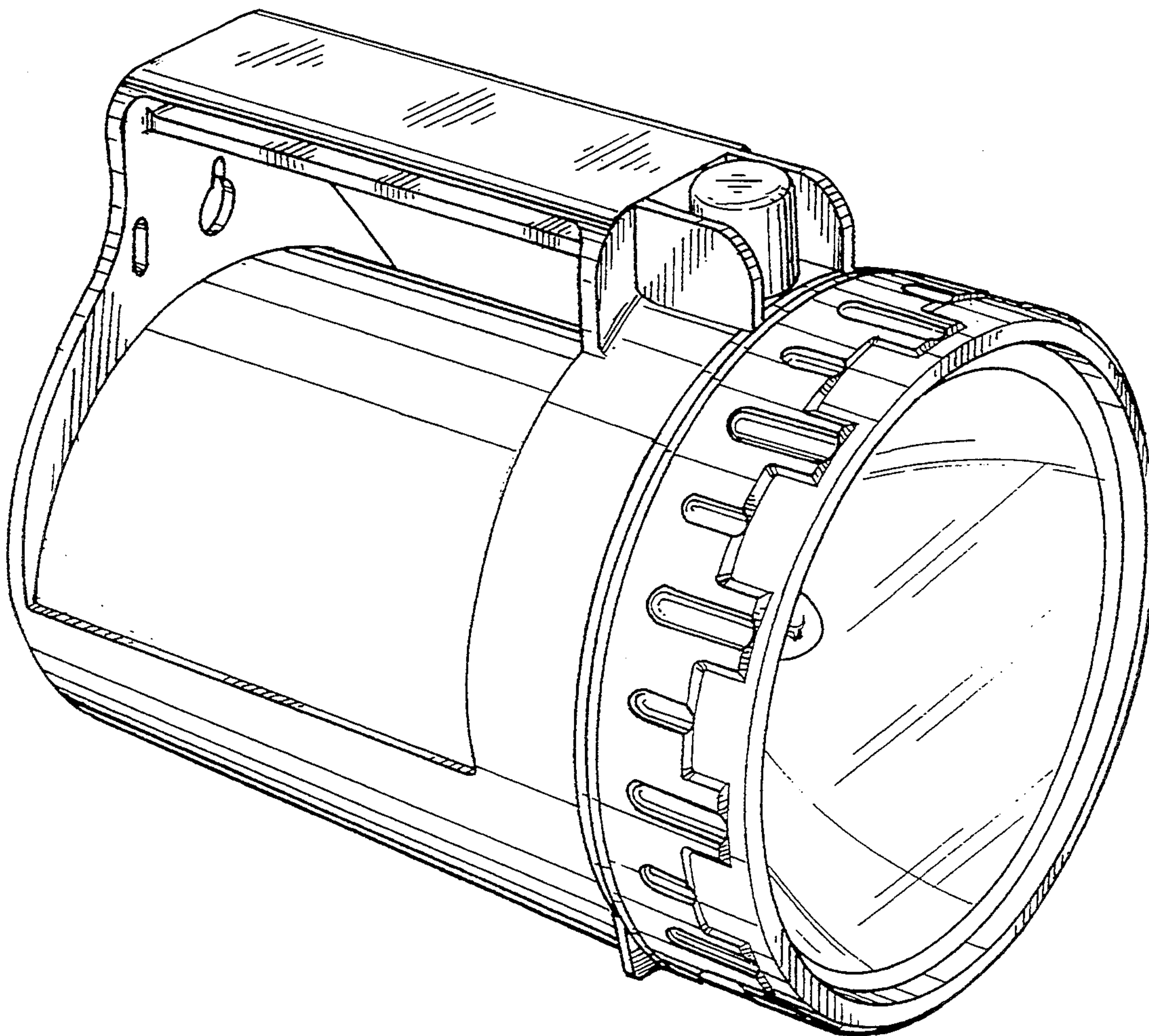


FIG. 1

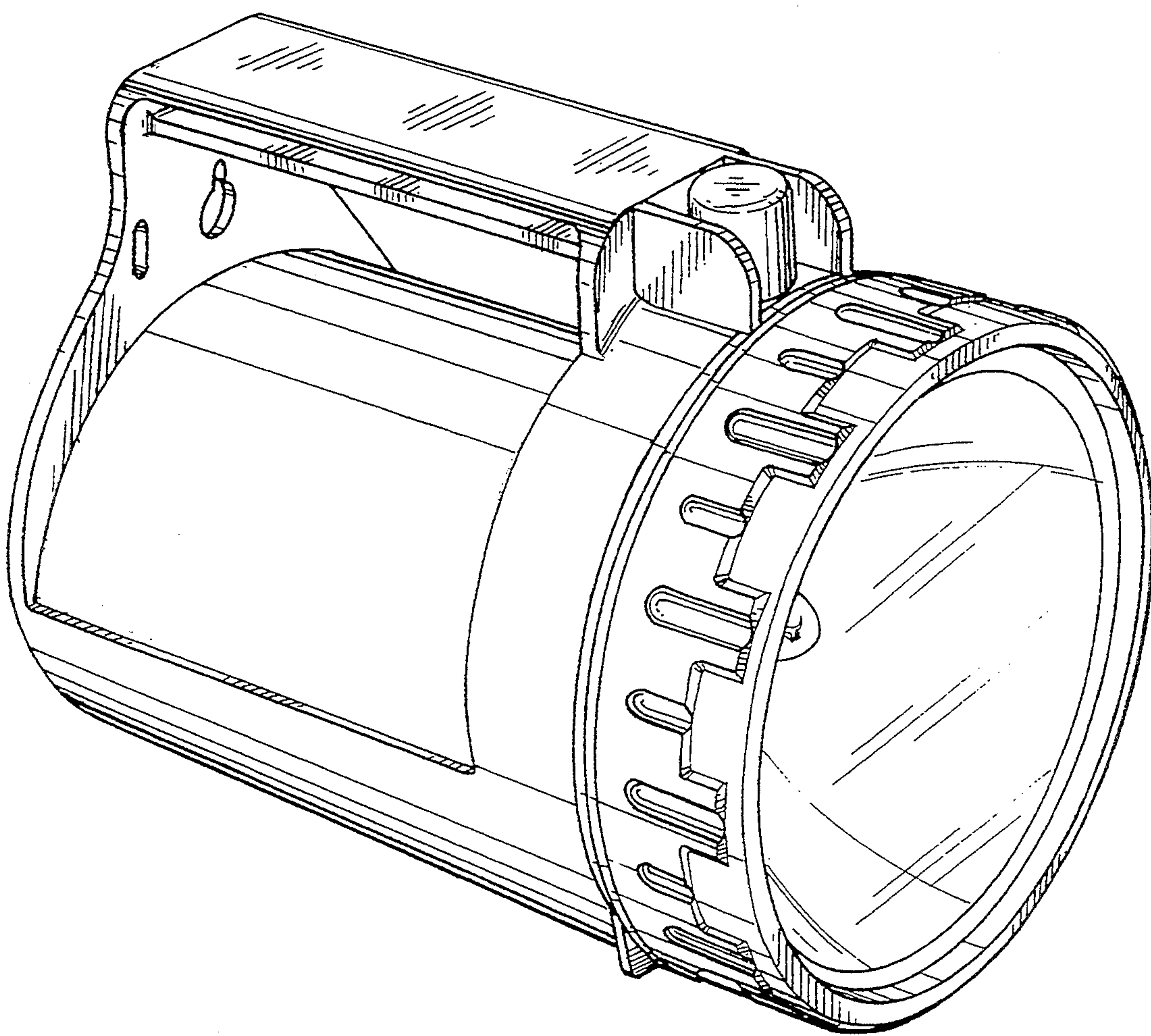


FIG. 2

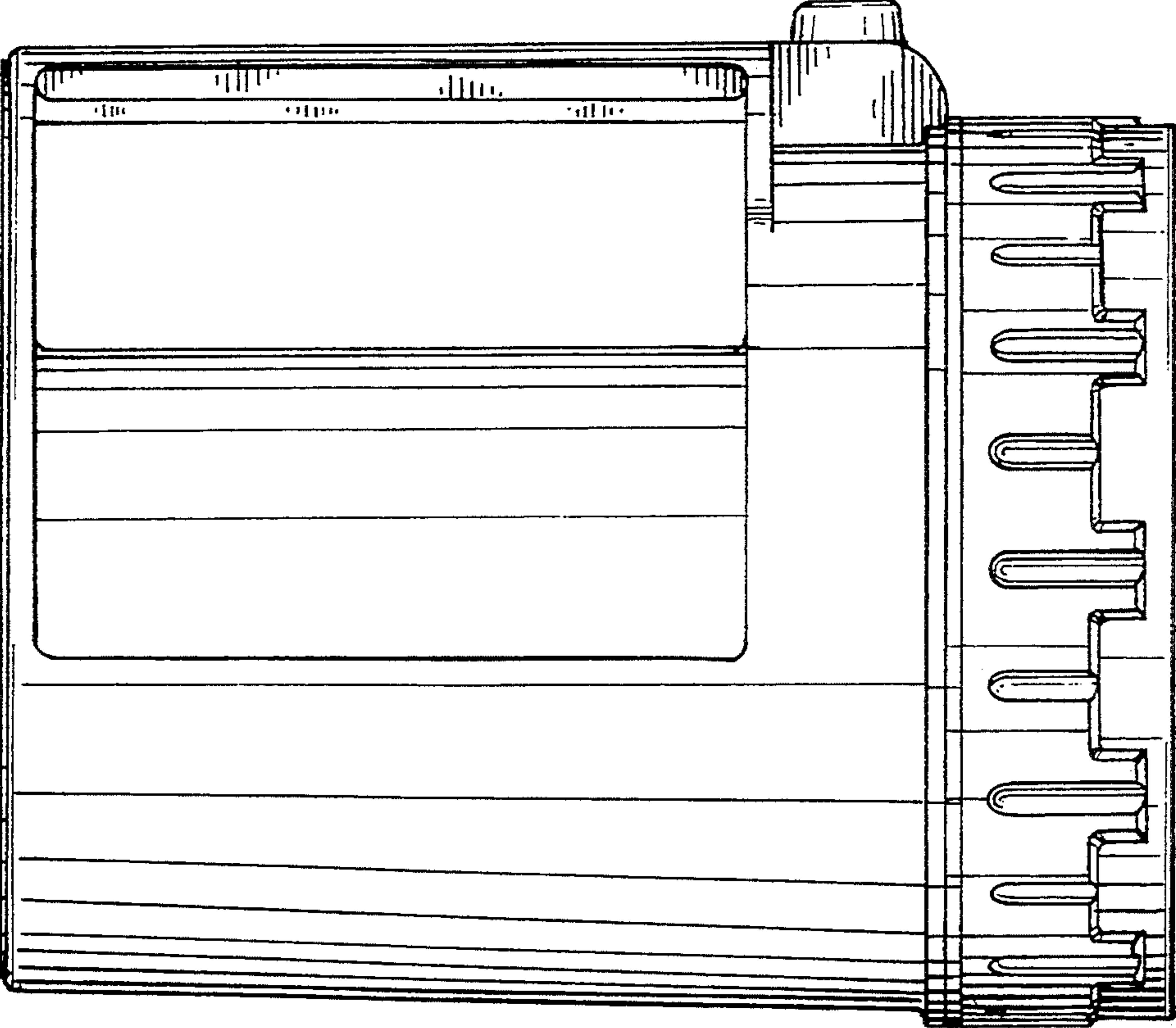




FIG. 3

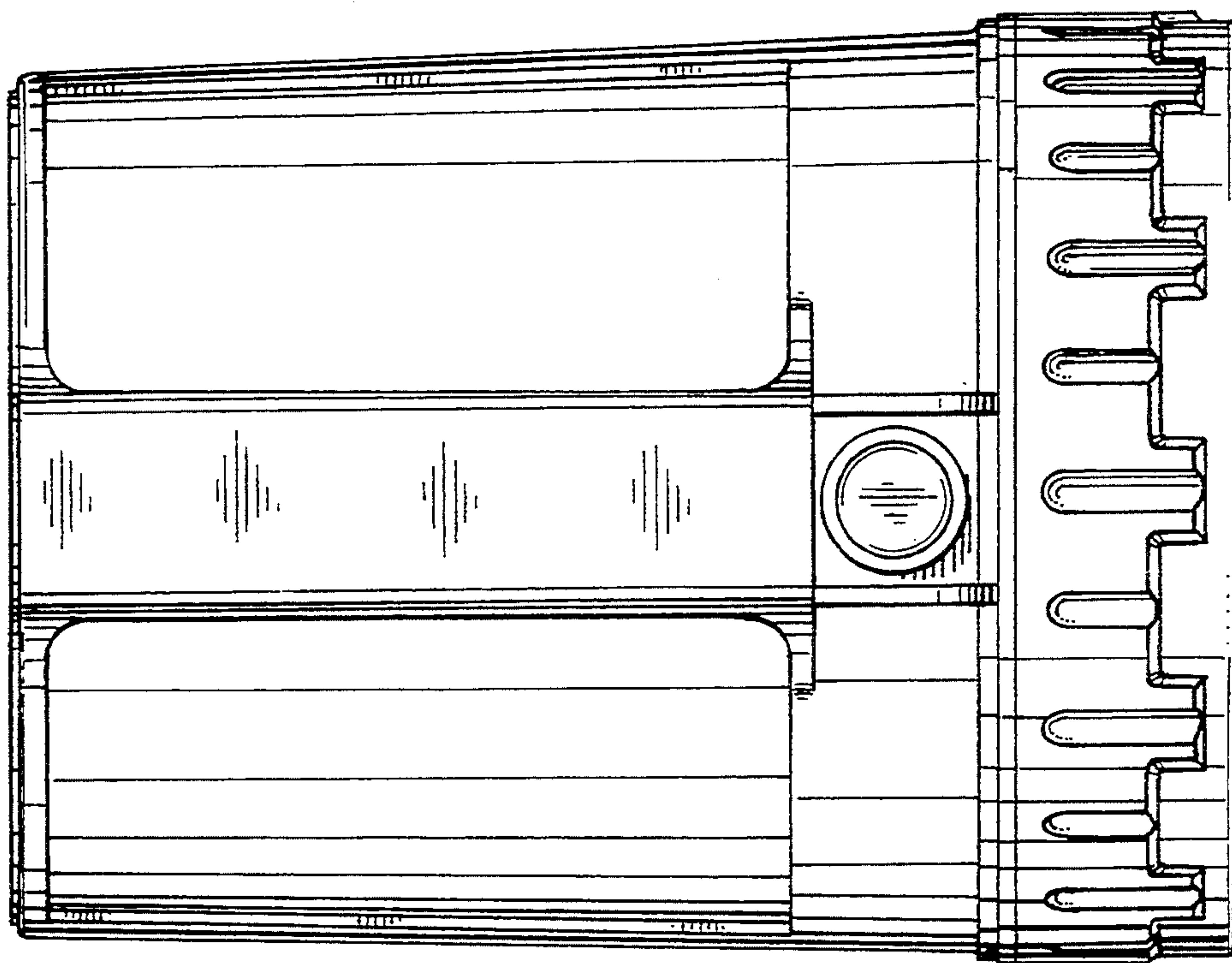


FIG. 4

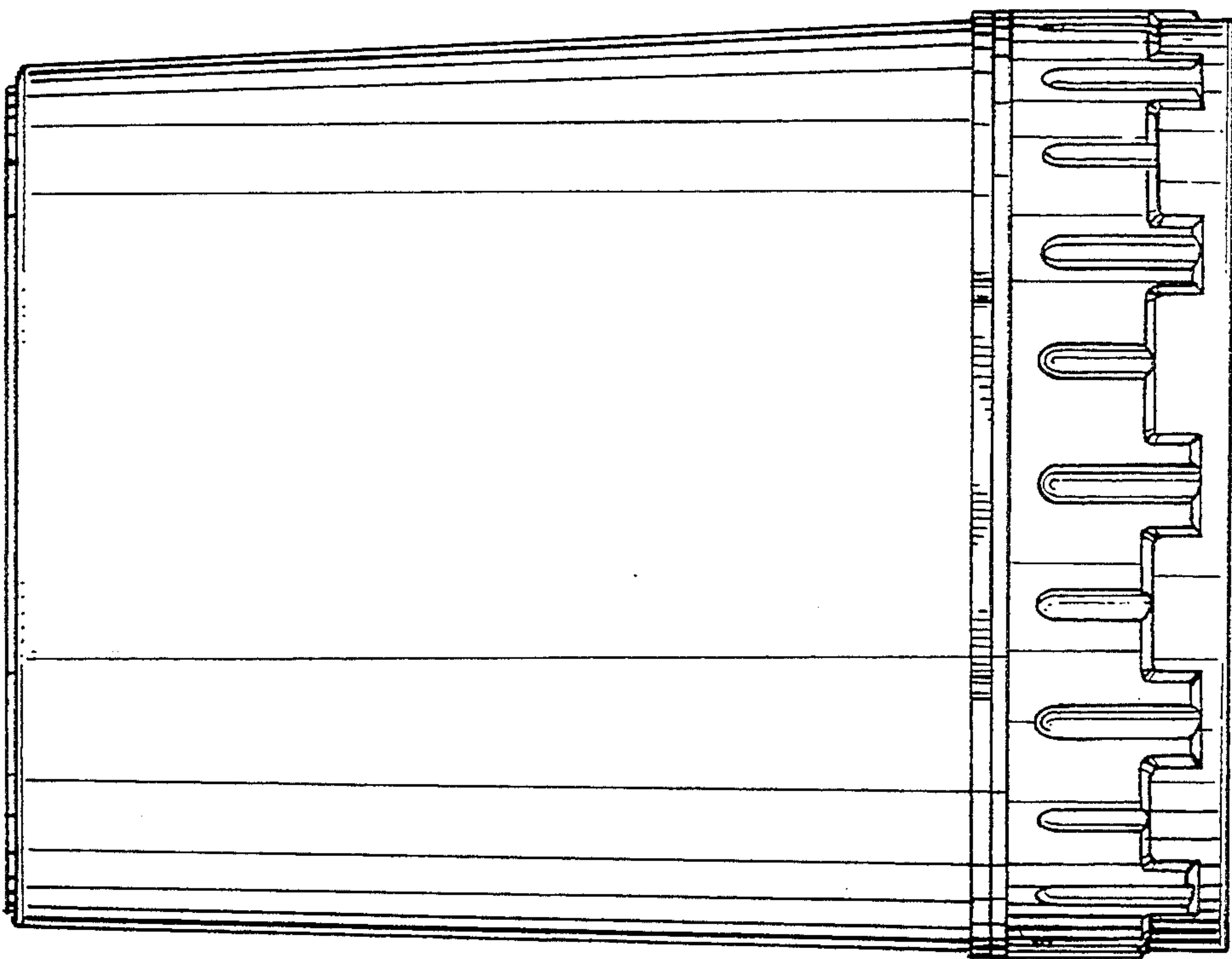


FIG. 5

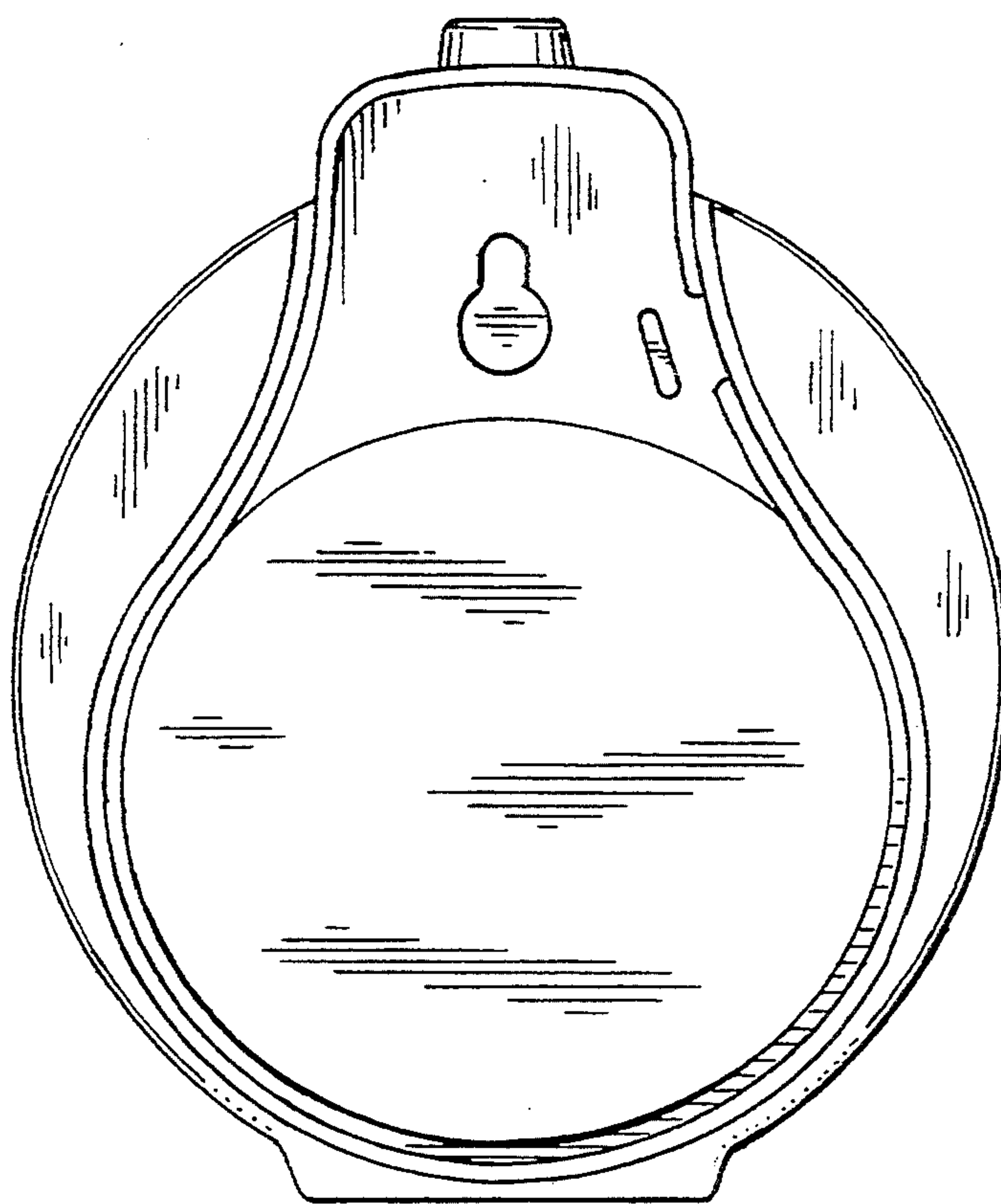


FIG. 6

